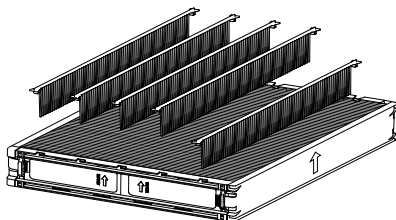


Filter Media Replacement Instructions

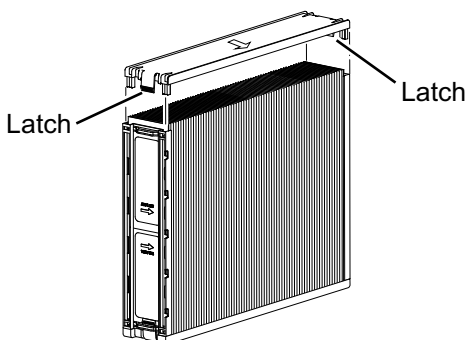
CAUTION: TURN OFF AIR HANDLER BEFORE SERVICING
These instructions are intended as a general guide and do not supersede local codes in any way.

STEP 1



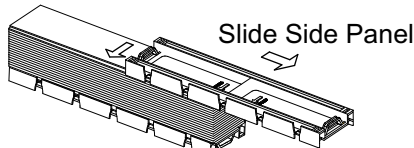
Grasp both ends of each spacer and pull up to remove.

STEP 2



Remove the top/bottom panel by pressing inward on both latches and pulling the panel upwards.

STEP 3

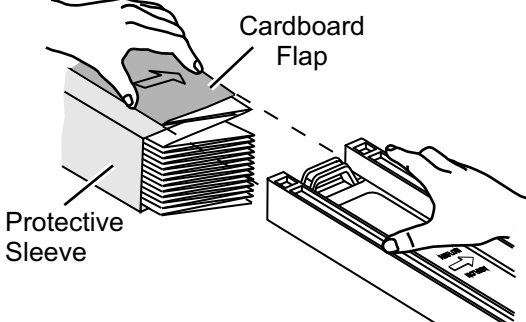


Collapse the filter media. Slide each side panel off of the filter media.

Discard Filter Media

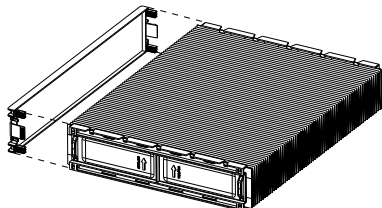
NOTE: DO NOT REMOVE PROTECTIVE SLEEVE FROM NEW FILTER MEDIA UNTIL BOTH FRAME SIDE PANELS ARE IN PLACE.

STEP 4



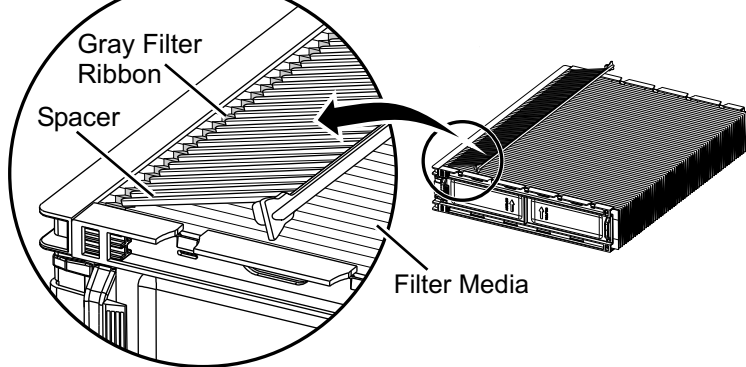
Match the air flow direction arrow on the side panel with the arrow on the filter media.
Lift both sides of cardboard flap. Slide the side panel onto the cardboard flap. Do NOT capture any of the filter media pleats.
Turn the filter media over and repeat STEP 4 on the other side.

STEP 5



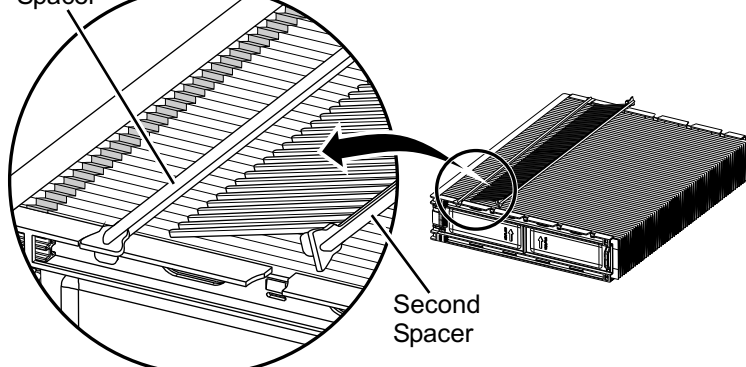
Remove protective sleeve from filter media. Lay filter flat on a clean surface. Expand filter media pack and attach the top panel. Match direction of air flow arrows on top and side panels.

STEP 6



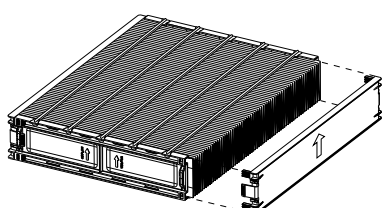
Place the first spacer onto the gray filter ribbon and hold the spacer at a 30 degree angle. When the spacer is positioned properly, carefully slide it down into the pleats and snap it into place.

STEP 7



Slide the second spacer into the pleats directly behind the first spacer. Pull the inserted spacer into the next slot and snap it into place. Continue with the remaining spacers.

STEP 8



Attach the remaining bottom panel. Slide the assembled filter into the filter cabinet