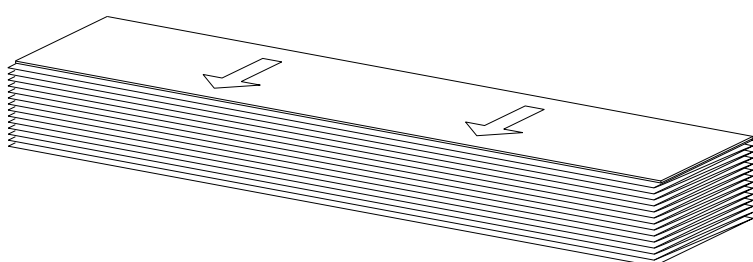
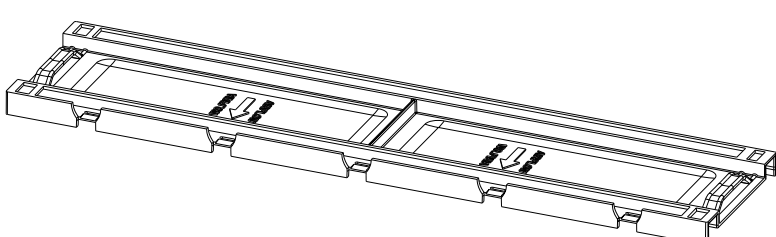


## SHIPPING AND PACKING LIST

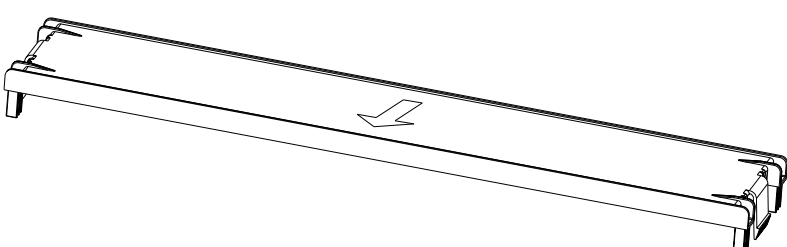
**Shipping Damage:** Check equipment for shipping damage. If you find any damage, immediately contact the last carrier.



**FILTER MEDIA**  
(QTY 1)



**FRAME SIDE PANEL**  
(QTY 2)



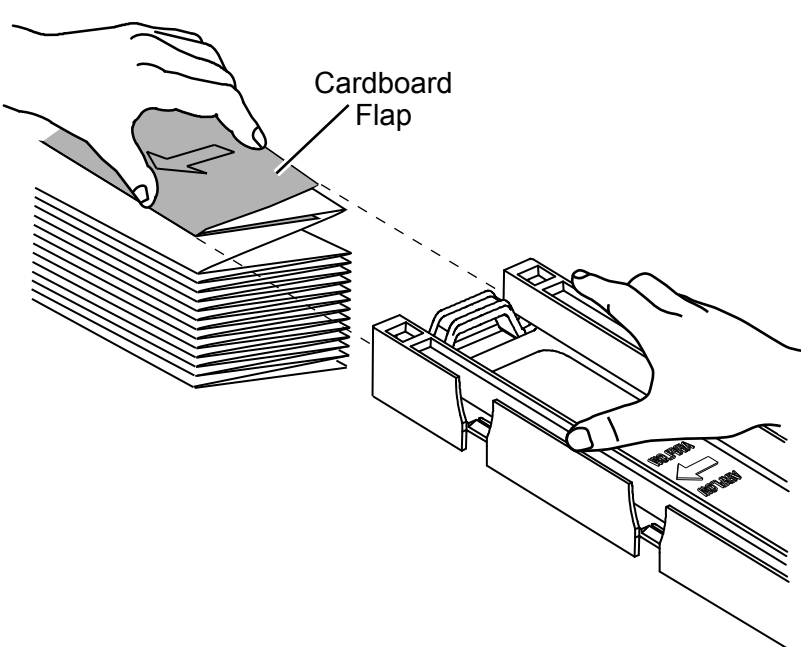
**FRAME TOP/ BOTTOM PANEL**  
(QTY 2)

## FILTER MEDIA REPLACEMENT INSTRUCTIONS

**CAUTION:** TURN OFF AIR HANDLER BEFORE SERVICING.

These instructions are intended as a general guide and do not supersede local codes in any way.

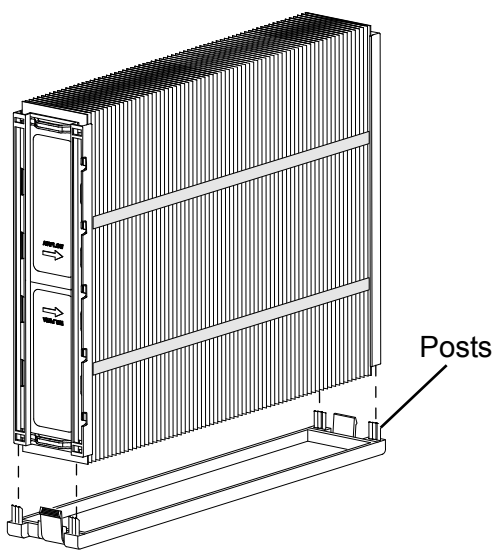
### STEP 1



Match the air flow direction arrow on the side panel with the arrow on the filter media.

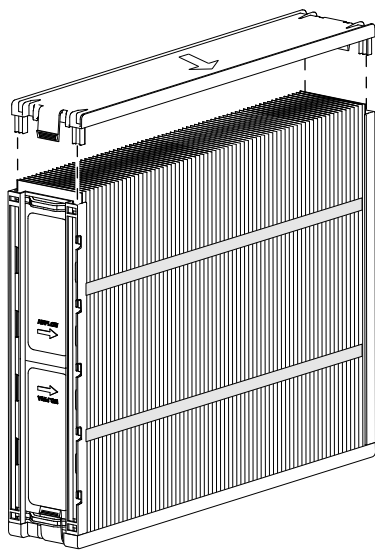
Lift both sides of cardboard flap. Slide the side panel onto the cardboard flap. Do NOT capture any of the filter media pleats. Turn the filter media over and repeat STEP 1 on the other side.

### STEP 2



Place the top/bottom panel on a flat surface with posts pointing upward. Expand filter media. Position side panels over the posts and snap into place.

### STEP 3



Snap remaining panel into place. Ensure all filter media pleats are inside top/bottom panel.