



PRODUCT LITERATURE

Lennox Industries Inc.
Dallas, Texas

PARTS AND OPTIONAL ACCESSORIES

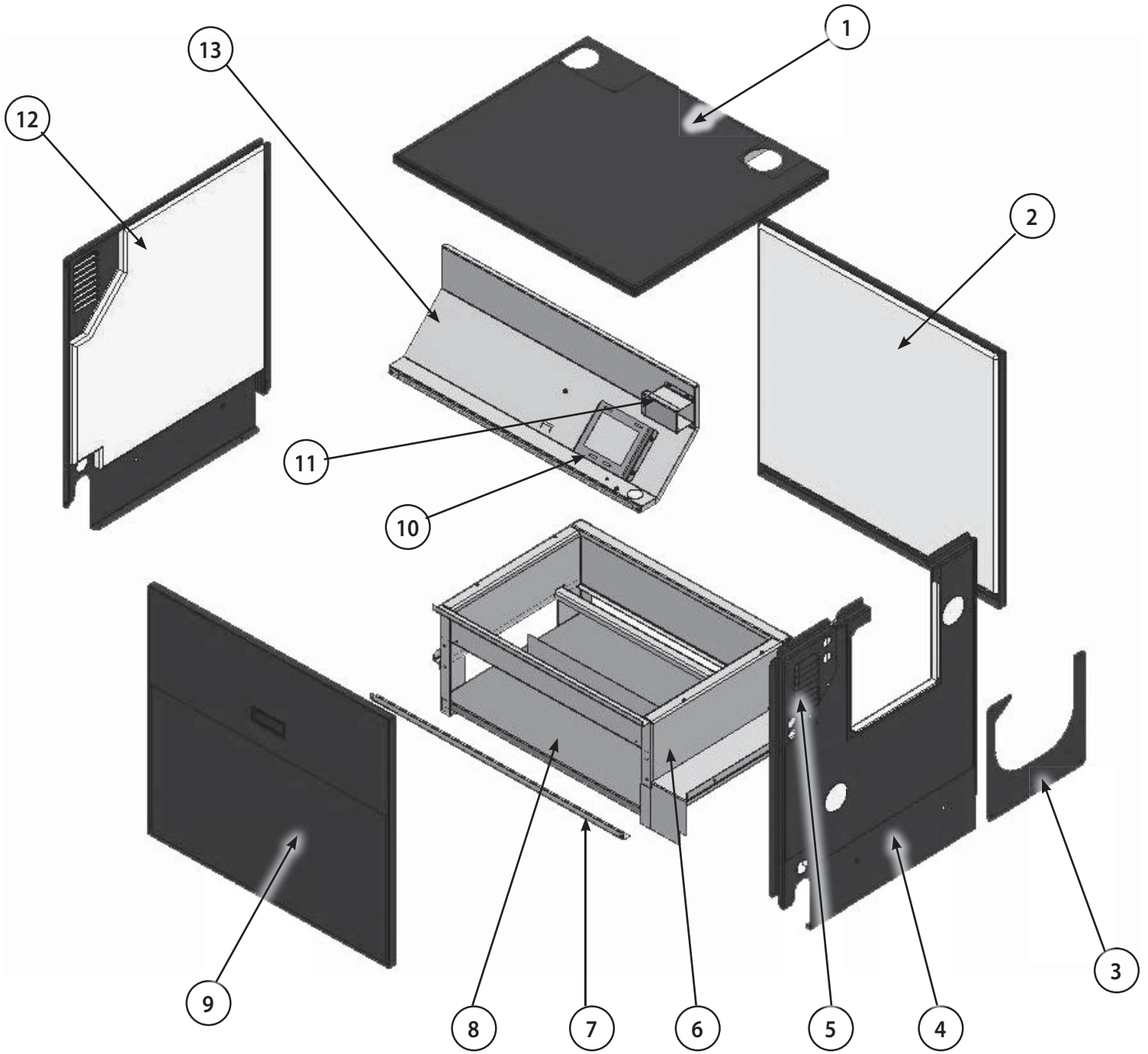
GWB8-042IE-2, GWB8-075IE-2
GWB8-112IE-2, GWB8-150IE-2
GWB8-187IE-2, GWB8-225IE-2

GAS FIRED BOILER

**RETAIN THESE INSTRUCTIONS FOR
FUTURE REFERENCE**

***These instructions must be affixed on
or adjacent to the boiler.***

Jacket Sections and Base Parts



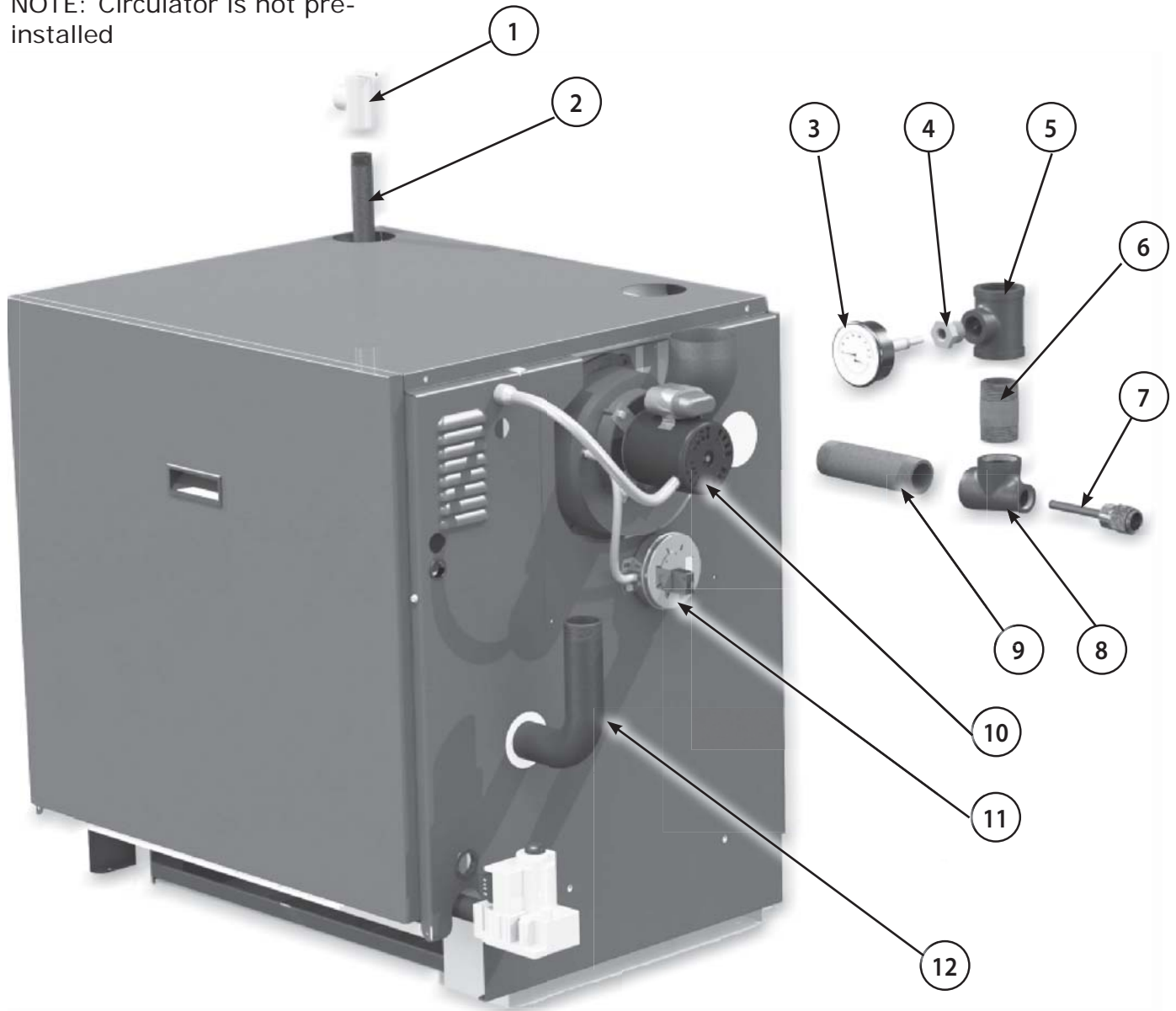
Jacket Sections and Base Parts

KEY NO.	DESCRIPTION	PART NUMBERS FOR					
		2 Section	3 Section	4 Section	5 Section	6 Section	7 Section
1	Jacket, Top Panel	730001012AF	730001013AF	730001014AF	730001015AF	730001016AF	730001017AF
2	Jacket, Back Panel	730001022AF	730001023AF	730001024AF	730001025AF	730001026AF	730001027AF
3	Blower Cover Plate	630001170	630001170	630001170	630001170	630001170	630001170
4	Jacket, Right Side Panel	109008498AF	109008498AF	109008498AF	109008498AF	109008498AF	109008498AF
5	Rating Plate	-	-	-	-	-	-
6	Boiler Base	42500733	42500734	42500735	42500736	42500737	42500738
7	Jacket Tie Bar	42500653	42500654	42500655	42500656	42500657	42500658
8	Insulation, Base Side (2 Required)	14614020	14614020	14614020	14614020	14614020	14614020
	Insulation, Base Front	14614112	14614113	14614114	14614115	14614116	14614117
	Insulation, Base Rear	14614122	14614123	14614124	14614125	14614126	14614127
9	Service Door	109008686AF	109008687AF	109008688AF	109008689AF	109008690AF	109008691AF
10	Control Standoff (See page 8)	109008496	109008496	109008496	109008496	109008496	109008496
11	J-Box Cover (See page 8)	109008506	109008506	109008506	109008506	109008506	109008506
12	Jacket, Left Side Panel	109008497AF	109008497AF	109008497AF	109008497AF	109008497AF	109008497AF
13	Control Panel	109008500	109008501	109008502	109008503	109008504	109008505
‡	Cleanout Plate(s) & Insulation	42501539	42501540	42501541	42501542	42501540 & 42501541	42501541 (x2)
‡	Flue Collector	730003002	730003003	730003004	730003005	730003006	730003007
‡	Jacket, Complete	550002429AF	550002430AF	550002431AF	550002432AF	550002433AF	550002434AF
‡	#10 x 1/2 Sheet Metal Screw	14695074	14695074	14695074	14695074	14695074	14695074
‡	Block Assembly (7,10,11,12,13,17))	41000212	41000312	41000412	41000512	41000612	41000712
‡	Combustible Floor Plate	14614031	14614031	14614031	14614031	14614032	14614032

‡ Not illustrated

Boiler Controls and Piping Repair Parts

NOTE: Circulator is not pre-installed



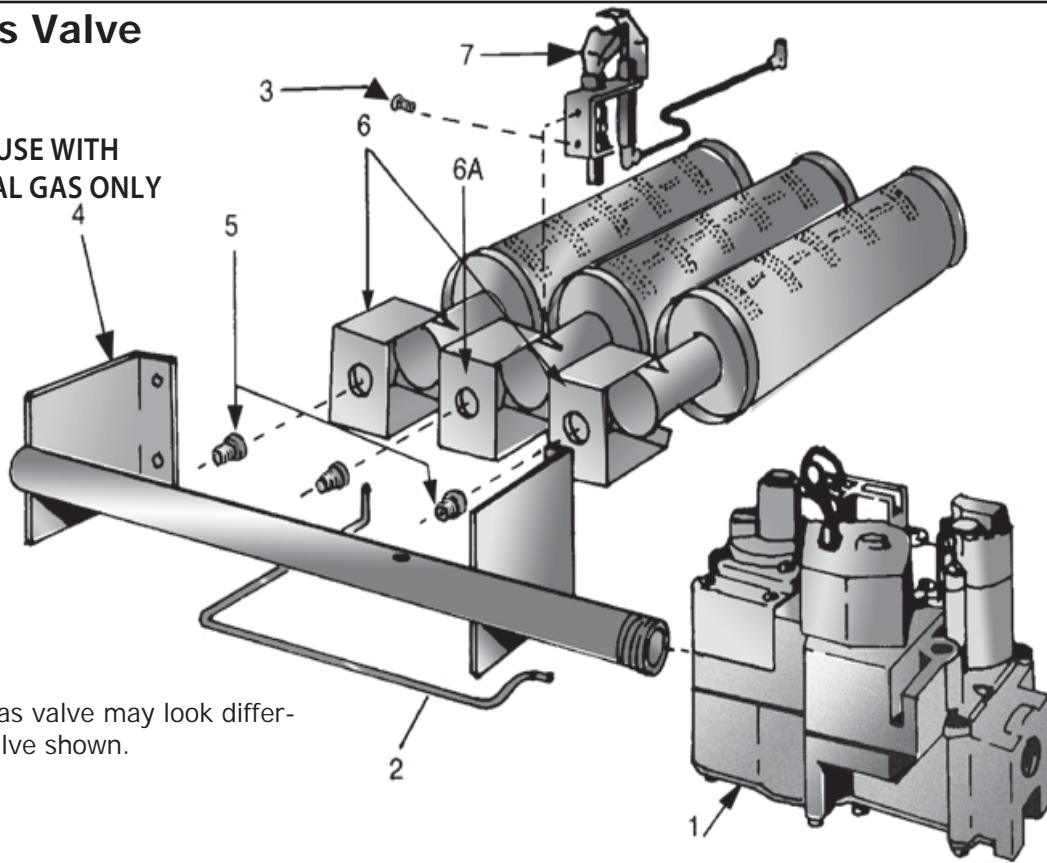
Boiler Controls and Piping Repair Parts

Key No.	Description	Part No.
1	¾" ASME Relief Valve	14622011
2	¾" x 5½" Adapter	14607019
3	Temperature Pressure Gauge (3½" Stem)	1260006SP
4	Bushing ¾" x ¼"	14607019
5	Tee 1¼" x 1¼" x ¾"	1510001
6	Bushing 1¼" x 2 ½"	14607004
7	Well	1635001
8	1¼" x ¾" x ¾" Tee	1510001
9	Adapter 1¼" x 5½"	14607044
10	Induced Draft Blower and Gasket	240009011
11	Pressure Switch - 2,3,4,5 Section	14655006
	Pressure Switch - 6,7 Section	14655005
12	1¼" Bent Tube	14607004
‡	Sensor	240007732
‡	Clip	240008013
‡	Rubber Tube (Blower to Pressure Switch)	1552014
‡	Rollout Switch	14629002
‡	1¼" x ¾" Bushing	1060003
‡	3" x 4" Increaser Fitting - Galvanized	14628012
‡	400°F Black Silicone Rubber Adhesive Sealant (10.1 oz. Cartridge)	240006837
‡	500°F Red Silicone Rubber Adhesive Sealant (10.3 oz. Cartridge)	240006502
‡	Drain Valve	240009323

‡ Not illustrated

Natural Gas Valve

FOR USE WITH
NATURAL GAS ONLY



NOTE: Actual gas valve may look different than gas valve shown.

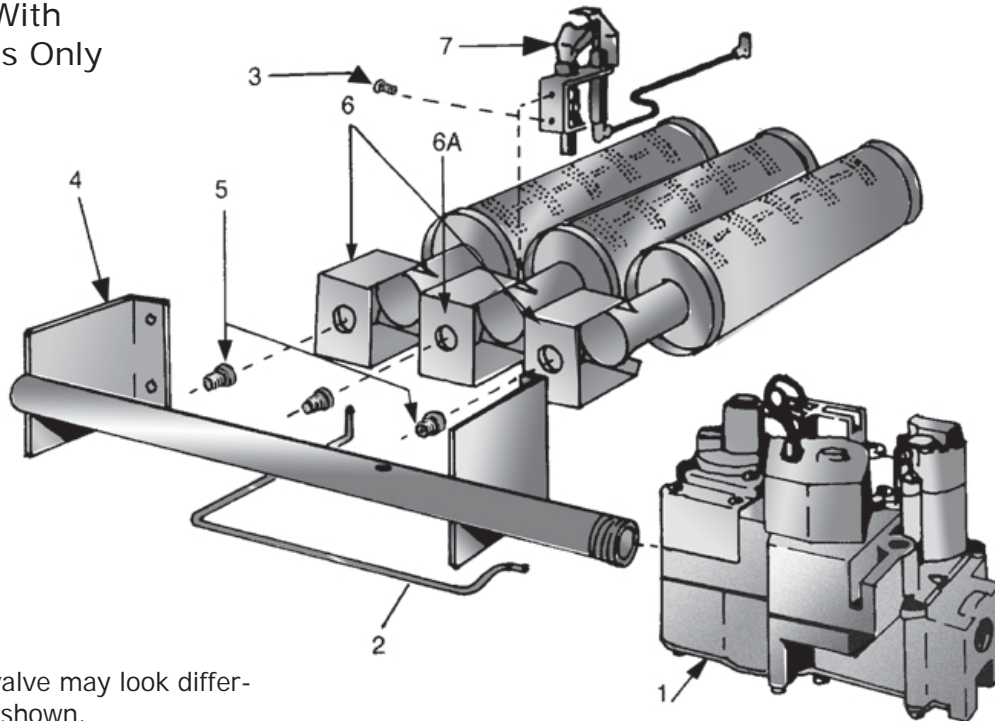
NATURAL GAS BURNER & MANIFOLD PARTS

KEY NO.	DESCRIPTION	PART NUMBERS FOR					
		2 Section	3 Section	4 Section	5 Section	6 Section	7 Section
1	24 Volt Gas Valve, Natural Gas	14662052	14662052	14662052	14662052	14662058	14662058
2	Pilot Tube With Fitting	43300201	43300201	43300201	43300201	43300200	43300200
3	10-32 x 3/16" Slotted Hex Head Screws	14695301	14695301	14695301	14695301	14695301	14695301
4	Gas Manifold	14616042	14616043	14616044	14616045	14616024	14616025
5	*Orifice -Natural Gas	14615030	14615031	14615031	14615031	14615035	14615035
6	**Main Burner Less Pilot Bracket	- - -	14615532	14615532	14615532	14615532	14615532
6A	Main Burner with Pilot Bracket	14615531	14615531	14615531	14615531	14615531	14615531
7	Pilot Burner with Orifice, Natural Gas	240009031	240009031	240009031	240009031	240009031	240009031
‡	Rollout Shield	42500932	42500933	42500934	42500935	42500936	42500937

*Requires 1 less than the number of sections.
 **Requires 2 less than the number of sections.
 ‡ Not illustrated. Quantity is 1 unless otherwise noted.

Propane Gas Valve

For Use With
Propane Gas Only

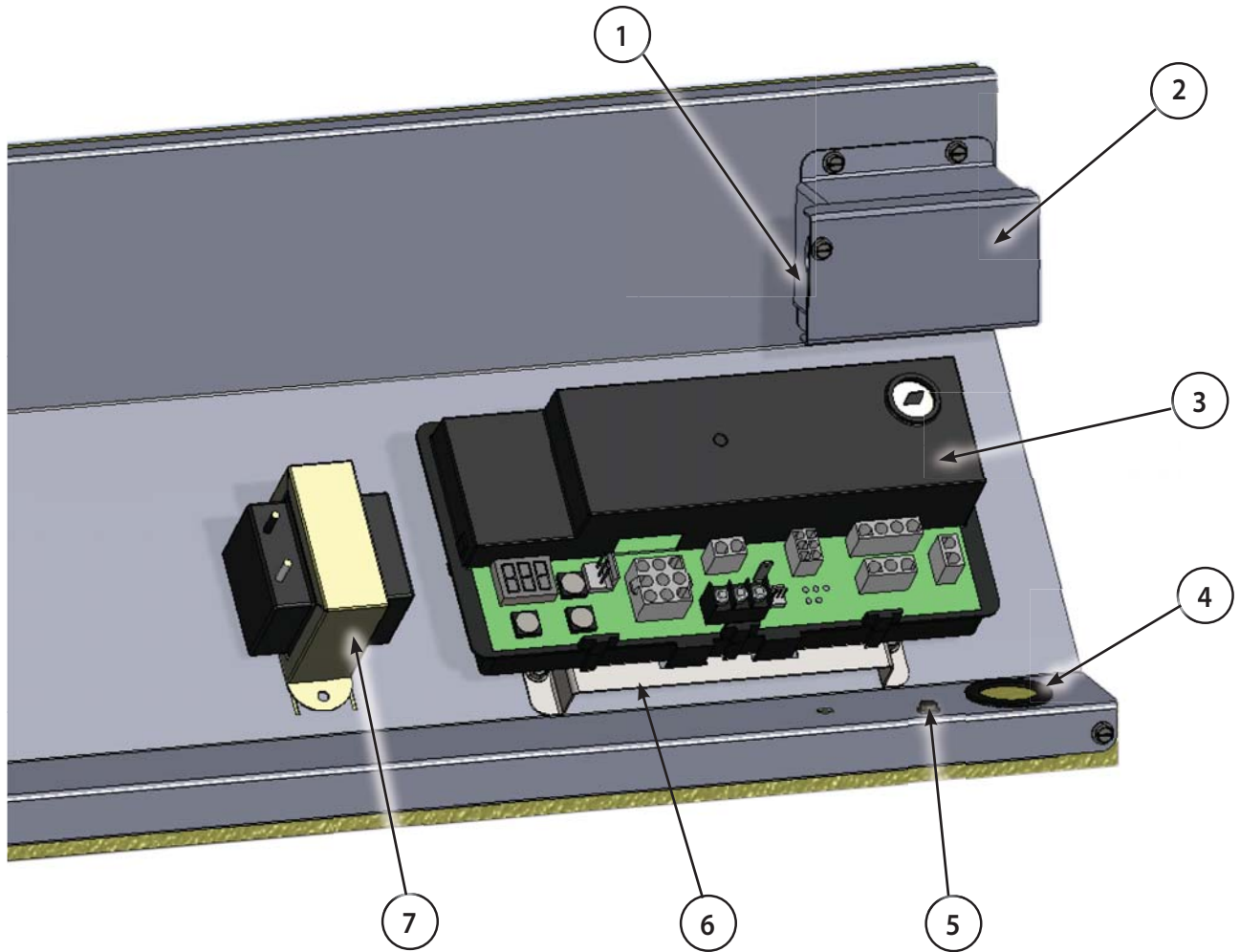


NOTE: Actual gas valve may look different than gas valve shown.

PROPANE GAS BURNER & MANIFOLD PARTS							
KEY NO.	DESCRIPTION	PART NUMBERS FOR					
		2 Section	3 Section	4 Section	5 Section	6 Section	7 Section
1	24 Volt Gas Valve, Propane Gas	14662062	14662062	14662062	14662062	14662059	14662059
2	Pilot Tube With Fitting	43300201	43300201	43300201	43300201	43300200	43300200
3	10-32 x 3/16" Slotted Hex Head Screws	14695301	14695301	14695301	14695301	14695301	14695301
4	Gas Manifold	14616020	14616021	14616022	14616023	14616024	14616025
5	*Orifice-Propane Gas	14615044	14615036	14615036	14615036	14615036	14615036
6	**Main Burner Less Pilot Bracket	---	14615532	14615532	14615532	14615532	14615532
6A	Main Burner with Pilot Bracket	14615531	14615531	14615531	14615531	14615531	14615531
7	Pilot Burner with Orifice, Nat Gas	240009031	240009031	240009031	240009031	240009031	240009031
‡ ‡	Orifice Propane Gas	PB00208	PB00208	PB00208	PB00208	PB00208	PB00208
‡	Rollout Shield	42500932	42500933	42500934	42500935	42500936	42500937
*Requires 1 less than number of sections. **Requires 2 less than number of sections. ‡ Not illustrated. Quantity is 1 unless otherwise noted. ‡ ‡ Not illustrated pilot sold only in natural gas, must field convert.							

CONTROL MODULE

CONTROL ASSEMBLY



ITEM	DESCRIPTION	P/N	QTY.
1	J-BOX	109008499	1
2	J-Box Cover	109008506	1
3	Control	240009241	1
4	Grommet	206000025	1
5	Ground Screw #8	HW07701	1
6	Control Standoff	109008496	1
7	Transformer	240008782	1
*	Line Voltage Harness	240009194	1
*	Low Voltage Wire Harness	240009342	1
*	Circulator Harness	240008767	1
*	Pilot (with wires) [Shown on page 6]	240009031	1
* NOT SHOWN			