



**PRODUCT LITERATURE**

Lennox Industries Inc.  
Dallas, Texas

# PARTS, KITS AND OPTIONAL ACCESSORIES

---

CAST IRON GAS FIRED BOILERS  
FOR FORCED HOT WATER  
With Hydrolevel Control

GWB84-262E, GWB84-299E

Ordering Instructions

Order Parts through your nearest supplier.

When ordering parts, obtain Model Number and Serial Number  
from data plate on your boiler.

Include following information when ordering.

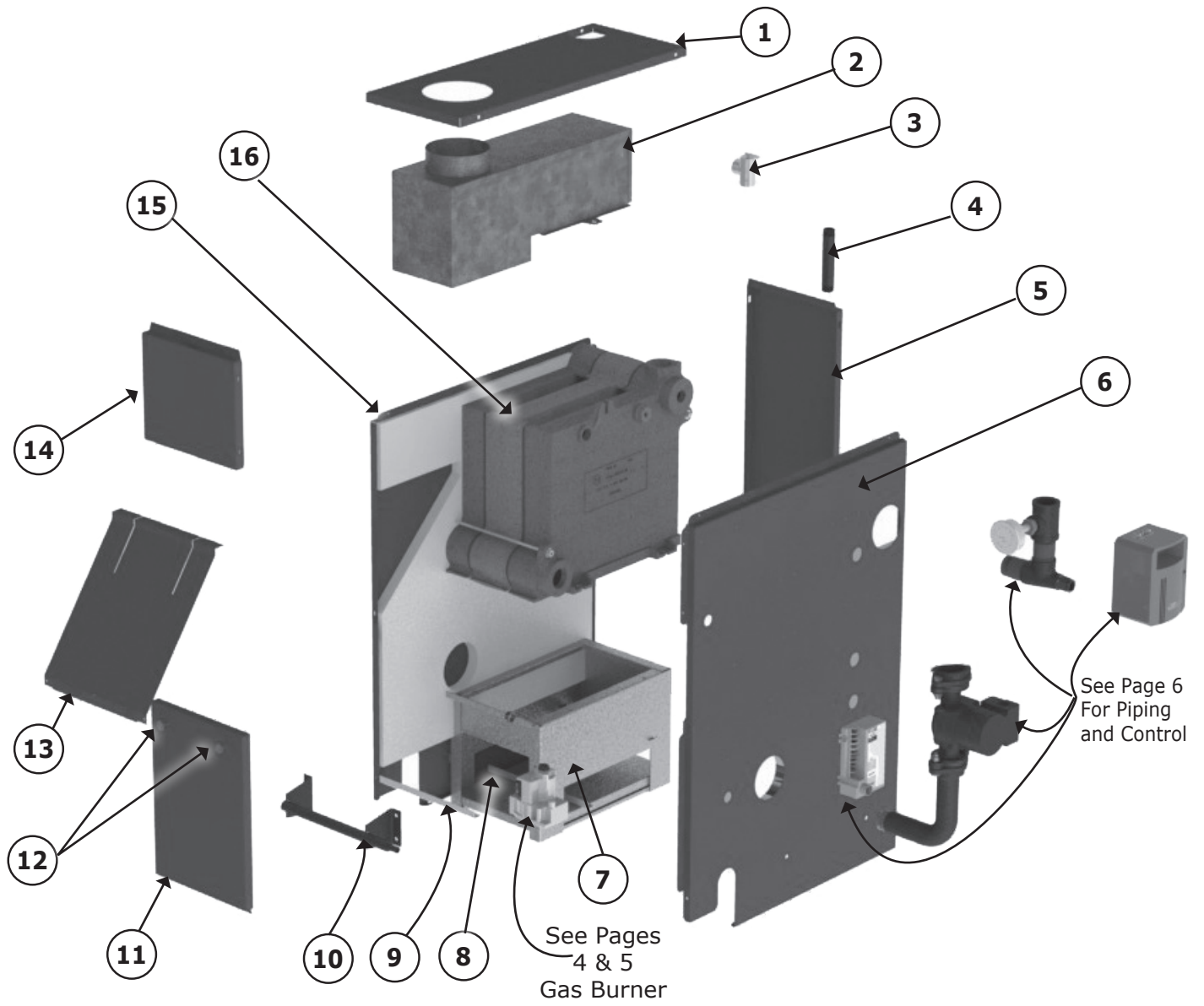
Part Number \_\_\_\_\_

Part Description \_\_\_\_\_

Boiler Model Number \_\_\_\_\_

Boiler Serial Number \_\_\_\_\_

# REPAIR PARTS

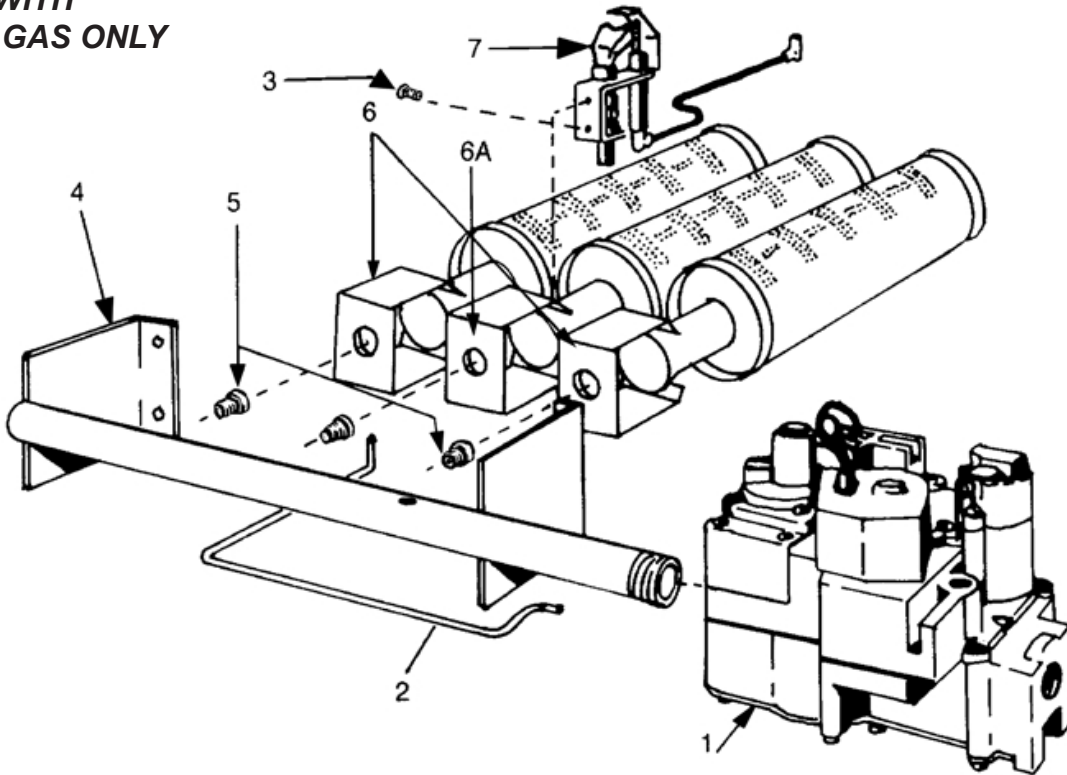


**JACKET ASSEMBLY**

KEY NO.	DESCRIPTION	8 SECTION		9 SECTION	
		CAT No.	Part No.	CAT No.	Part No.
‡	Jacket Complete	N/A	42500878AF	N/A	42500879AF
1	Jacket, Top Panel	N/A	42500848AF	N/A	42500849AF
2	Draft Diverter	N/A	42500678	N/A	42500679
3	3/4" ASME Safety Relief Valve	95P51	14622011		
4	¾" x 6½" Adapter	N/A	14607002		
5	Jacket, Back Panel	N/A	550003680	N/A	42500839AF
6	Jacket, Right Side Panel	N/A	109008574AF		
7a	Base	N/A	42500668	N/A	42500669
7b	Base Insulation Sides (2)	N/A	14614130		
	Base Insulation Front	N/A	14614118	N/A	14614119
	Base Insulation Rear	N/A	14614128	N/A	14614129
8	Base Baffle	N/A	42500648	N/A	42500649
9	Jacket Tie Bar	N/A	42500658	N/A	42500659
10	Gas Manifold	N/A	See Pages 4 & 5		
11	Jacket, Service Door	N/A	42500828AF	N/A	42500829AF
12	Knob, Service Door (Pair)	N/A	13702153		
13	Jacket, Diverter	N/A	42500818AF	N/A	42500819AF
14	Jacket, Front Panel	N/A	42500808AF	N/A	42500809AF
15	Jacket, Left Side Panel	N/A	109008736AF		
16	Block Assembly	N/A	41000831	N/A	41000931
‡	Cerafelt Gasket	N/A	14614018		
‡	Vent Damper	75Y14	240006939		
‡	Base Assembly (7A, 7B, 8)	N/A	43300668	N/A	43300669
‡ Not illustrated					

## REPAIR PARTS

**FOR USE WITH  
NATURAL GAS ONLY**

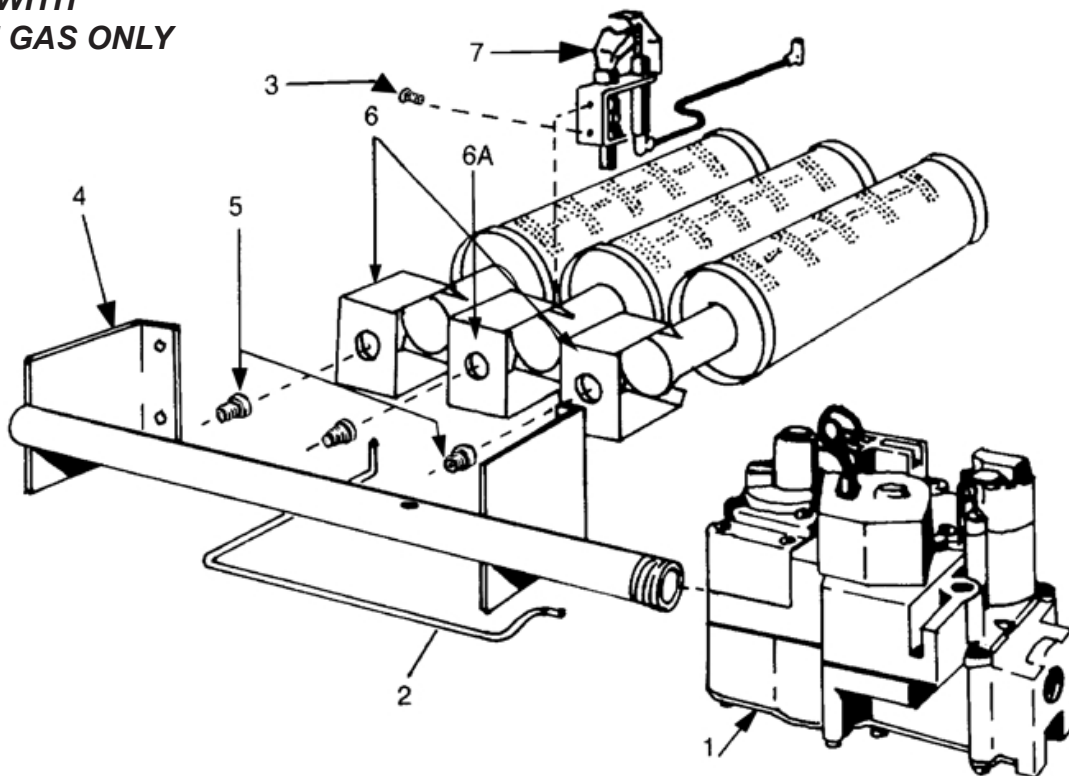


**NOTE: Actual gas valve may look different than gas valve shown**

<b>NATURAL GAS BURNER &amp; MANIFOLD PARTS</b>					
<b>KEY NO.</b>	<b>DESCRIPTION</b>	<b>8 Section</b>		<b>9 Section</b>	
		CAT No.	Part No.	CAT No.	Part No.
1	Gas Valve, Natural Gas	74P71	14662058	74P71	14662058
2	Pilot Tube	N/A	14615006	N/A	14615006
3	10-32 x 3/16" Slotted Hex Head Screws (2 REQD)	N/A	14695301	N/A	14695301
4	Gas Manifold	N/A	14616015	N/A	14616016
5	Main Burner Orifice*	N/A	240013128	N/A	240013128
6	Main Burner Regular**	N/A	14615532	N/A	14615532
6A	Main Burner, Pilot Mount	20X02	14615531	20X02	14615531
7	Pilot Burner	N/A	240011102	N/A	240011102
‡	Rollout Shield	N/A	42500938	N/A	42500939
*Requires 1 less than the number of sections.					
**Requires 2 less than the number of sections.					
‡ Not illustrated					

## REPAIR PARTS

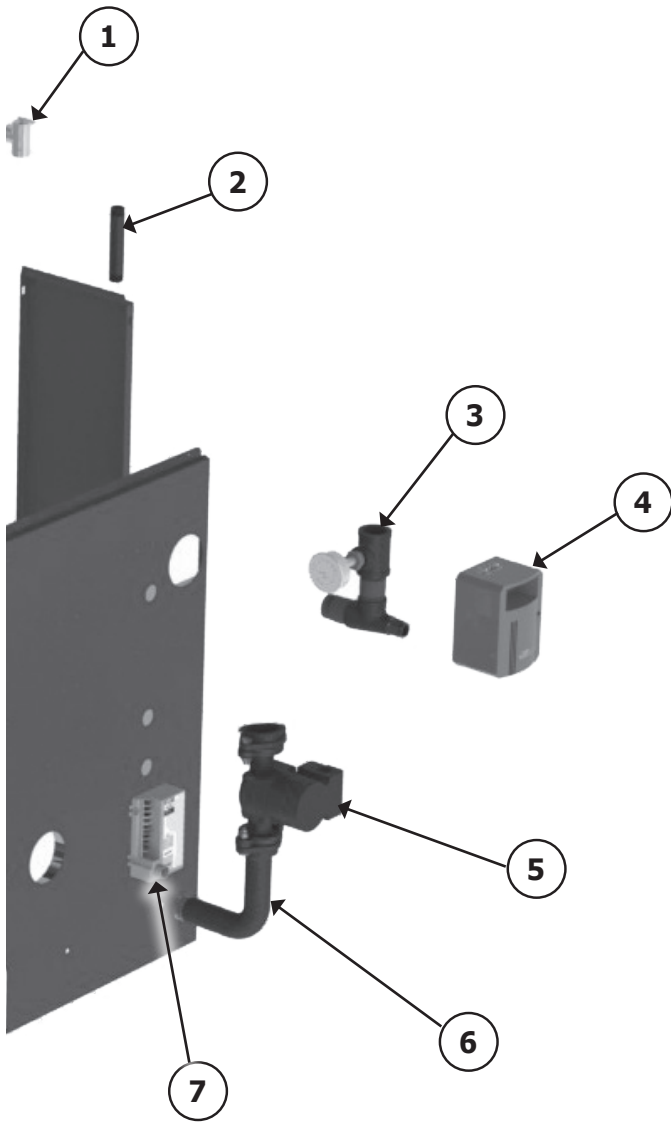
**FOR USE WITH  
PROPANE GAS ONLY**



**NOTE: Actual gas valve may look  
different than gas valve shown**

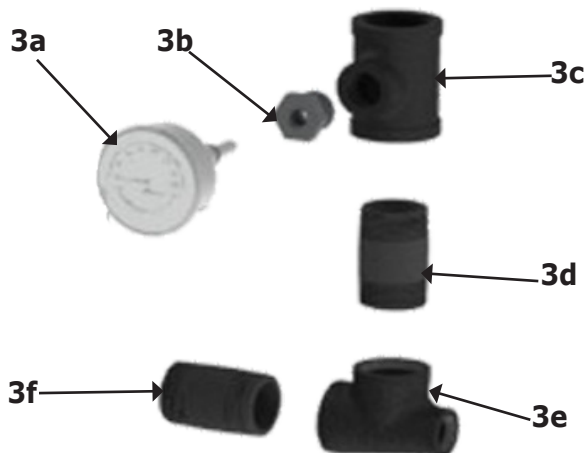
<b>PROPANE GAS BURNER &amp; MANIFOLD PARTS</b>					
KEY NO.	DESCRIPTION	8 Section		9 Section	
		CAT No.	Part No.	CAT No.	Part No.
1	Gas Valve, LP Gas	N/A	550002740	N/A	550002740
2	Pilot Tube	N/A	14615006	N/A	14615006
3	10-32 x 3/16" Slotted Hex Head Screws (2 REQD)	N/A	14695301	N/A	14695301
4	Gas Manifold	N/A	14616015	N/A	14616016
5	Main Burner Orifice*	N/A	240013145	N/A	240013145
6	Main Burner Regular**	99X96	14615532	99X96	14615532
6A	Main Burner, Pilot Mount	20X03	14615531	20X03	14615531
7	Pilot Burner (includes)***	70N68	240011102		
		10F07	PB00208		
		13U13	14662087		
‡	Rollout Shield	N/A	42500938	N/A	42500939
*Requires 1 less than the number of sections.					
**Requires 2 less than the number of sections.					
*** Pilot shipped natural gas only orifice and fitting required for LP conversion					
‡ Not illustrated					

BOILER CONTROLS AND PIPING



Key No.	CAT No.	Part No.	DESCRIPTION
1	95P51	14622011	3/4" ASME Relief Valve
2	N/A	14607002	3/4" x 6 1/2" Nipple
3	N/A	1260006SP	3a Temperature Pressure Gauge - 2" shank
		1060002	3b Bushing, 3/4" x 1/4", Black Iron
		PF05901	3c Tee, 1 1/4" x 1 1/4" x 3/4", Black Iron
		14607044	3d Adapter, 1 1/4" x 2 1/2", Black Iron
		1510001	3e 1 1/4" x 3/4" x 1 1/4" Tee
		14607044	3f 1 1/4" x 2 1/2" Nipple
4	14D97	240009113	Hydrolevel Control
‡	N/A	240009989	Replacement Sensor Only For Hydrolevel 3250 (12")
5	N/A	CI-006.01	Grundfos Pump UP15-42F Circulator
		74P49	CI-001.03 Taco Pump 007
6	N/A	14607003	1 1/4" Bent Return Adapter
7	92X30	14662070	Intermittent Pilot Control
‡	N/A	240007709	Sensor Well
‡	Y5414	1500009	Blocked Vent Safety Switch (36TX16-6282) 280°F
‡	Y5415	14629002	Rollout Switch
‡	75Y14	240006939	7" Vent Damper
‡	N/A	14693008	2 1/2" x 1 1/4" Bushing (2 REQD)
‡	N/A	14693024	2 1/2" Plug
‡	N/A	14693083	2 1/2" x 3/4" Bushing
‡	N/A	1395003	1/2" Plug (3 REQD)
‡	N/A	240006837	400°F Black Silicone Rubber Adhesive Sealant (10.3 oz. Cartridge)
‡ Not illustrated			

Temperature Pressure Gauge Assembly



**REPAIR PARTS****MISCELLANEOUS PARTS**

<b>CAT No.</b>	<b>Part No.</b>	<b>DESCRIPTION</b>	<b>QTY.</b>
N/A	37519501	Circulator Harness	1
20X01	240005480	Damper Harness, 61"	1
N/A	240010924	Wire Harness, Rollout/Blocked Vent Safety Switch	2
Y8129	43300942	Wire Harness, Gas Valve	1
N/A	EF-016.01	Strain Relief Connector	1
N/A	240010487	Wire Clip	1
N/A	206000023	Bushing, 7/8 to 3/4	1
N/A	14634032	Strain Relief Bushing	2
N/A	14695074	Screw, 10 x 12	2



**PRODUCT LITERATURE**  
Lennox Industries Inc.  
Dallas, Texas