

**INSTALLATION INSTRUCTIONS FOR GRILLE KIT (LB-91009A, B, C; 72K78, 86K29, 86K30) USED WITH L SERIES UNITS**

**Shipping and Packing List**

**Package 1 of 1 contains:**

- 1- Front grille guard
- 1- Rear grille guard
- 1- Bag assembly containing:
  - 14-Sheet metal screws
  - 9-Self-drilling screws

**Application**

Grille covers the opening beneath the condenser coil in L Series units. See table 1.

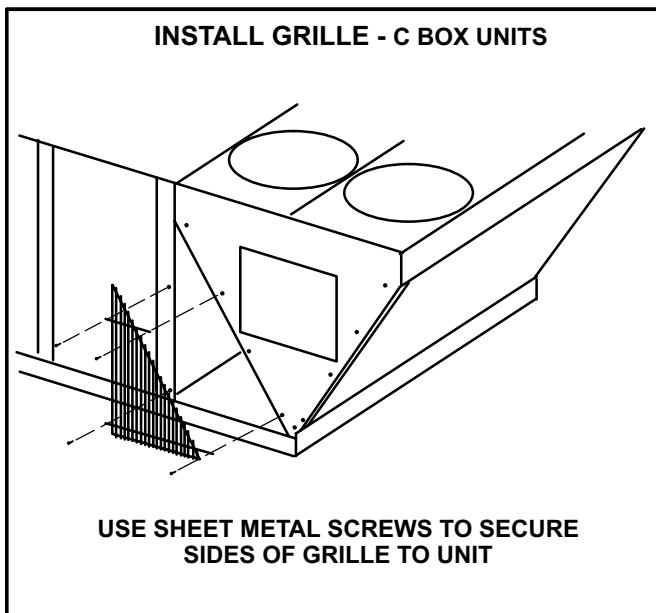
**TABLE 1**

BOX	L SERIES UNIT	LB #	CAT #
B	102, 120, & 150	LB-91009B	86K29
C	156, 180, 210, 240, 300S	LB-91009A	72K78
D	300H & 360	LB-91009C	86K30

**Installation**

*C Box Units -*

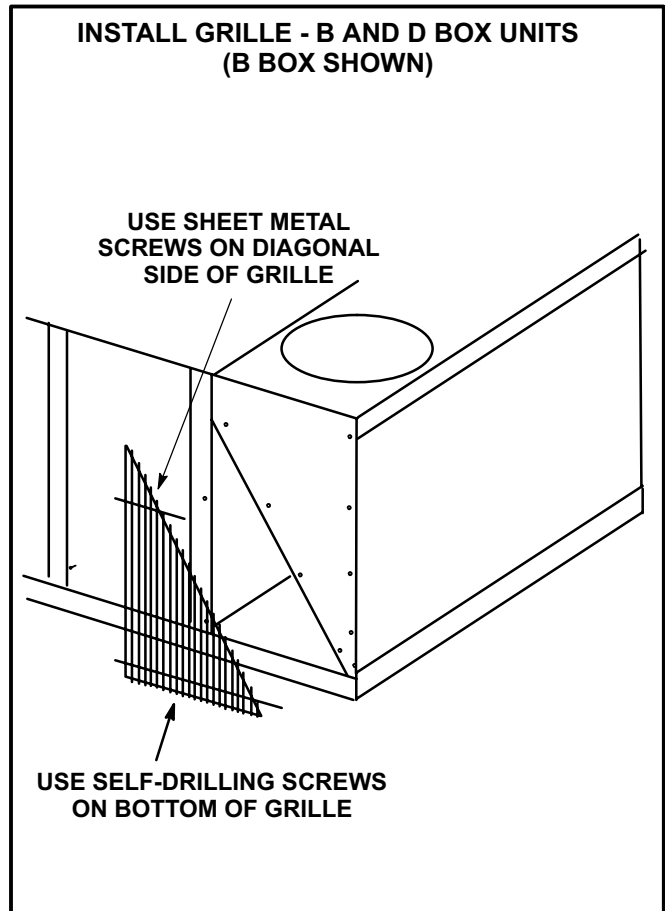
Place grille over opening and and secure with sheet metal screws provided. See figure 1.



**FIGURE 1**

*B & D Box Units -*

Place grille over opening and secure diagonal side of grille to unit with sheet metal screws provided in kit. Use self-drilling screws to secure bottom of grille to unit. See figure 2.



**FIGURE 2**

