




# HUMIDIFIER CONTROL

504,879M  
04/2011  
Supersedes 11/2005

# HEALTHY CLIMATE® AUTOMATIC HUMIDIFIER CONTROL

## INSTALLATION INSTRUCTIONS AND TROUBLESHOOTING GUIDE FOR AUTOMATIC HUMIDIFIER CONTROL FOR HEALTHY CLIMATE HUMIDIFIER MODELS HCWB3-12, HCWB3-12K, HCWB3-12A, HCWB3-12AK, HCWB3-17, HCWB3-17K, HCWB3-17A, HCWB3-17AK, HCWP3-18 & HCWP3-18A



**⚠ WARNING**

Electrical shock hazard.  
Can cause injury or death.  
Disconnect all remote electrical power supplies before servicing.

**⚠ CAUTION**

Do not set humidity higher than recommended. Excess humidity can cause moisture accumulation which allows for possible mold growth in your home.

Do not set humidity up to recommended levels if there is condensation on the inside of windows of any unheated living space. Condensation damage may result.

Do not mount Humidifier Control on supply plenum or duct. The unit will not withstand supply temperatures.

When installing Humidifier Control on downflow furnaces, ensure blower continues to run after a heat call is satisfied to eliminate high temperatures from damaging the Humidifier Control.

Do not mount Humidifier Control downstream of the bypass outlet. False humidity conditions will cause humidifier to operate incorrectly.

Set the Bypass/Power mode switch in the proper position, or damage to the Humidifier Control could result.

These installation instructions are for the Healthy Climate Humidifier Control only!

For Healthy Climate Humidifier installation, follow Healthy Climate Humidifier Installation Instructions.

### STEP 1: Unpack the Humidifier Control Carton

Make sure all components are present (see **Figure A**):

- A. Humidifier Control
- B. Outdoor Temperature Sensor
- C. Manual Mode Label
- D. Manual Mode Resistor Case

### STEP 2: Disassemble the Humidifier Control

Remove door from the Humidifier Control by pulling the bottom of the door straight out.

### STEP 3: Check the Mode Switch

Make sure Mode Switch is set for the model of humidifier being installed or damage to the Humidifier Control could result.

If installing a new humidifier, switch position is factory set. **No adjustment is needed.**

If replacing an existing control, set switch according to the list below.

Models: WB2-12, WB2-12A, WB2-17, WB2-17A, HCWB3-12, HCWB3-12K, HCWB3-12A, HCWB3-12AK, HCWB3-17, HCWB3-17K, HCWB3-17A, HCWB3-17AK, HCWP3-18, HCWP3-18A – Mode Switch in “BYPASS” position

Models: WP2-18, WP2-18A – Mode Switch in “POWER” position

### STEP 4: Check the Change Humidifier Pad Indicator Setting

This setting will control when the indicator light turns on, reminding you to change your Humidifier Pad. If your Control came with a humidifier, the Control is pre-set at position “C”. If the installation site has a 3-month or shorter heating season or very hard water, you may want to adjust the setting. (see **Figure B**). The Control must be energized to reset the Humidifier Pad Indicator.

### STEP 5: Determine Location for Humidifier Control and Mount It

Humidifier Control must be mounted in the Return Duct. For proper operation, the Humidifier Control must be at least 6 inches upstream of any of the following:

- Humidifier
- Humidifier Bypass Ductwork (if applicable)
- Fresh Air Intake Ductwork (if applicable) (see **Figure C**)

After location for Control is selected, use the perforated Humidifier Control template (attached to these instructions) to mark the duct opening and cut it. Use 4 sheet metal screws (not provided) to mount the Humidifier Control in the duct opening and make sure Humidifier Control is sealed tightly to duct.

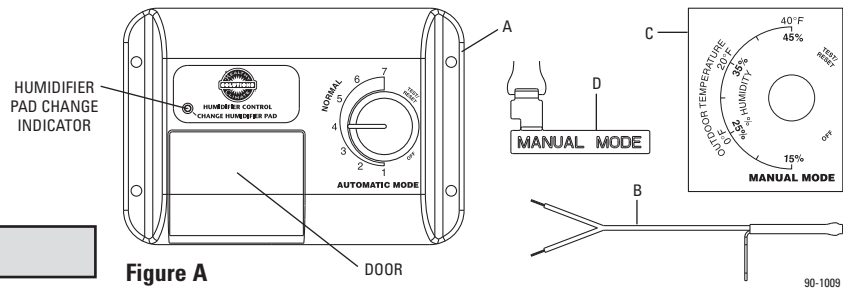


Figure A

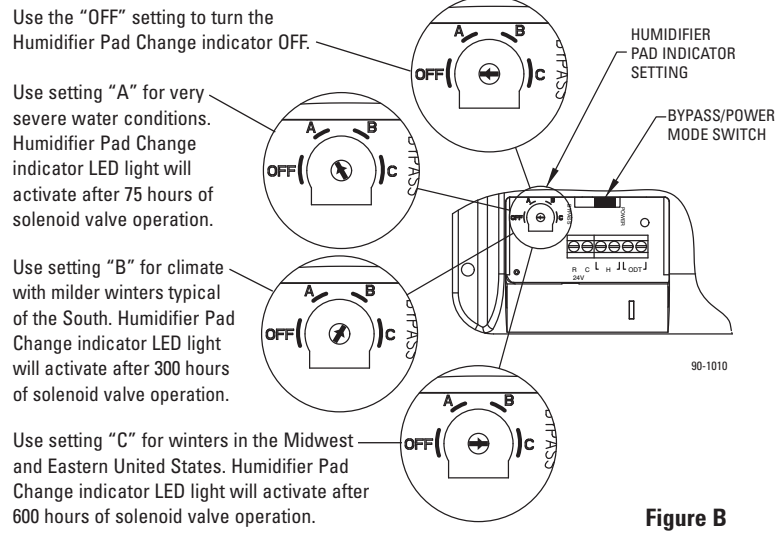


Figure B

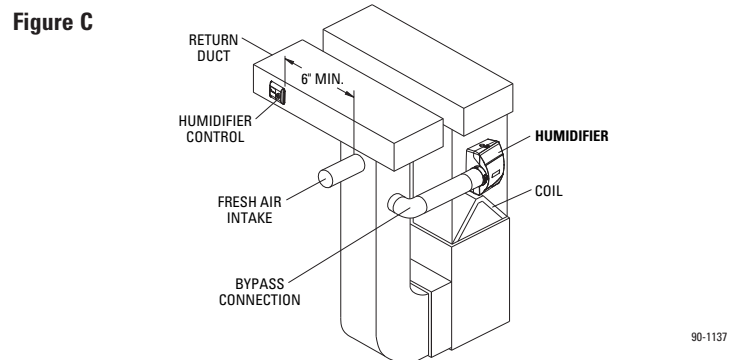


Figure C

90-1009

90-1010

90-1137

## STEP 6: Determine Location for Outdoor Temperature Sensor

The location of the Outdoor Temperature Sensor must meet these three requirements:

1. Must be mounted on North, East or West side of house out of direct sunlight
2. Must be at least 3 feet from all exhaust vents
3. Must be above expected snow line (See **Figure D**)

Incorrect humidity levels will result if these requirements are not met.

## STEP 7: Locate Existing Access Hole to Outside

A convenient way to get the Sensor wire outside is to make use of unused wires running to the A/C condensing unit (if applicable). Other ways are to use existing holes for Cable TV lines, telephone lines, A/C lines, etc. Read all equipment instructions beforehand for possible conflicts and warnings.

## STEP 8: Alternate Location for Outdoor Temperature Sensor

The Sensor can also be mounted in the center of either:

- 2 inch PVC fresh air intake pipe for the furnace  
**OR**
- 6 inch fresh air intake duct. Mount the sensor with a #8 galvanized screw.

In both cases, the Sensor must be no more than 3 feet from the outside wall. See **Figure E**.

If it is not feasible to use the Outdoor Temperature Sensor in any of the ways described, the Humidifier Control can be installed for Manual Operation.

See box below and **Figure G** for details.

## STEP 9: Route the Wire from Control to Sensor

Run wire to the outdoor temperature sensor. Sensor is not affected by lead length. In either case, do not run outdoor temperature sensor alongside wires carrying high voltage (120 VAC or higher). Secure the sensor bracket with a #8 galvanized screw.

## STEP 10: Attach Sensor Wire to Humidifier Control

Strip wire 1/4 inch, and insert the wires from the Sensor into the terminals labeled "ODT" on the Humidifier Control. See **Figure F** for location of terminals.

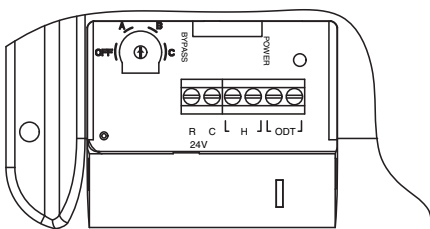


Figure F

90-1012

## Installing the Humidifier Control for Manual Operation

If it is not feasible to use the Outdoor Temperature Sensor, the Humidifier Control can be operated in Manual Mode.

1. Connect the Manual Mode Resistor Case wires to the terminals labeled "ODT" on the Humidifier Control.
2. Snap the Manual Mode Resistor Case into the slot provided so that Resistor Case sticks out from the bottom edge of the base.
3. Remove the control knob and apply the Manual Mode label to the cover, aligning the sticker and knob holes. Re-install the knob.

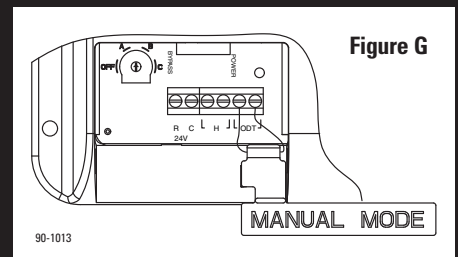


Figure G

90-1013

## STEP 11: Determine Power Source for Humidifier Control

Determine where you will get 24 VAC to power the Humidifier Control based on the 2 options below:

**OPTION 1: FURNACES WITH ACCESSORY TERMINALS.** If the accessory terminals provide:

- 24 VAC: Wire these directly to the "R" and "C" terminals on the Humidifier Control.
- 120 VAC: Wire to a 24 VAC transformer, which in turn connects to the "R" and "C" terminals on the Humidifier Control.

In either case, the voltage to the Humidifier Control must be between 22 VAC – 30 VAC.

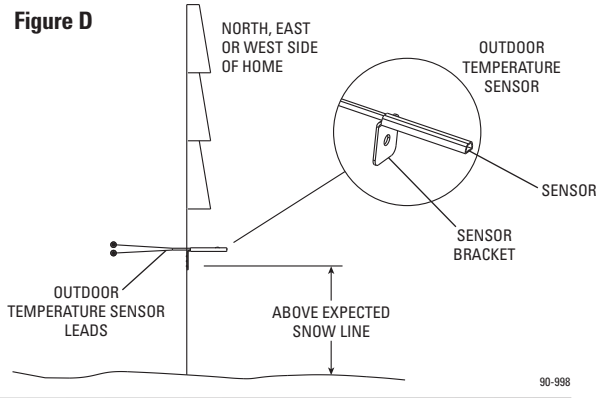
- NOTES:**
- The Humidifier Control will operate properly with either a switched or continuous power source.
  - Whether using ACCESSORY TERMINALS OR an EXTERNAL TRANSFORMER, the minimum VA required is; 2.0 VA for Power Humidifiers; or 10.0 VA for Bypass Humidifiers.
  - When power is connected for the first time, the red and green LEDs will light momentarily.

**OPTION 2: EXTERNAL 24 VAC TRANSFORMER:**

Wire into a power source other than the furnace blower circuit. The transformer can be powered off the 120 VAC line at the junction box before it enters the furnace. The 24 volt side of the transformer is connected to the "R" and "C" terminals on the Humidifier Control.

## STEP 12: Wiring

**NOTE:** The control will function with either a switched or continuous 24 VAC power source. See **Diagrams A-D** for wiring options.



90-998

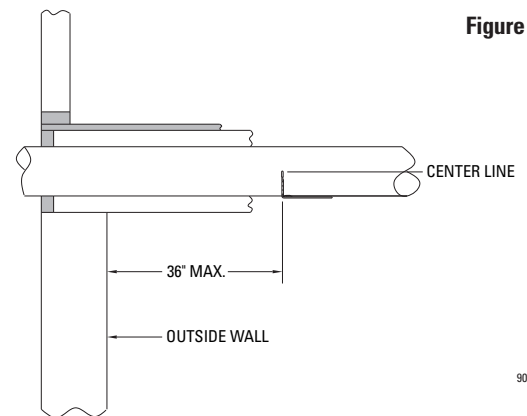


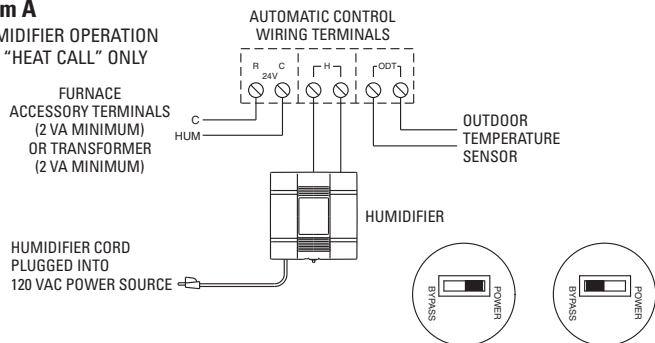
Figure E

90-999

## FAN POWERED HUMIDIFIER WIRING DIAGRAM

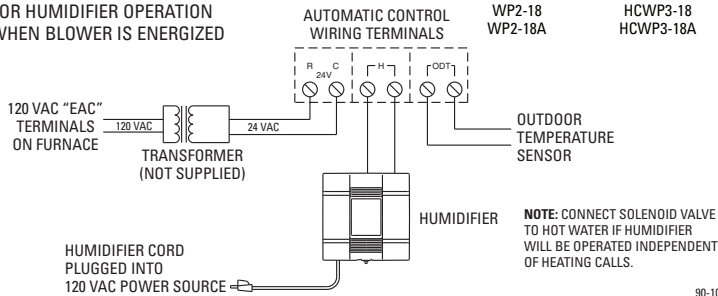
### Diagram A

FOR HUMIDIFIER OPERATION DURING "HEAT CALL" ONLY



### Diagram B

FOR HUMIDIFIER OPERATION WHEN BLOWER IS ENERGIZED

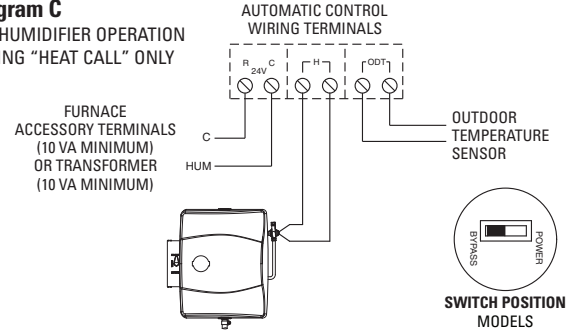


90-1050

## BYPASS HUMIDIFIER WIRING DIAGRAM

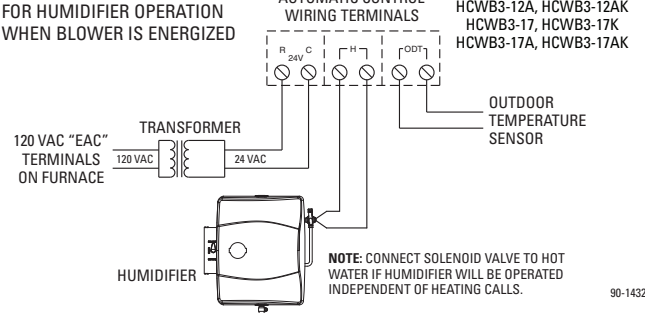
### Diagram C

FOR HUMIDIFIER OPERATION DURING "HEAT CALL" ONLY



### Diagram D

FOR HUMIDIFIER OPERATION WHEN BLOWER IS ENERGIZED



90-1432

## System Checkout

1. For system Test/Reset, be sure that 24 VAC is applied to the "R" and "C" terminals of Humidifier Control.
2. Snap the door back onto the Humidifier Control Base.
3. Activate furnace blower and be sure thermostat is calling for heat.
4. Rotate the control knob of Humidifier Control clockwise to the "Test/Reset" position. When the knob is set in the "Test/Reset" position, the green "Change Humidifier Pad" light will blink. Make sure the knob is not left in the "Test/Reset" position when the installation is done. Rotating knob to test position resets the humidifier pad change timer to zero. The Control must be energized to reset the Humidifier Pad Indicator.
5. If all is set up properly, you should be able to hear the solenoid valve click open. In "Test/Reset" mode, the Humidifier will operate for 1 minute.
6. If the humidifier does not activate with the Humidifier Control in the "Test/Reset" position, refer to troubleshooting guide.
7. Setting the Humidifier Control:
  - If home is occupied, set Humidifier Control to "Normal" (For Manual Operation, set to 35%)
  - If home is vacant, set Humidifier Control to "Off"
8. Inform homeowner to refer to the Owner's Manual for the initial adjustment period.
9. Make sure the Red Diagnostic Light is not lit. If the Red Diagnostic Light is lit, re-check your wiring.

## Humidifier Control Troubleshooting Guide

Applies to both Automatic and Manual Operation unless indicated otherwise.

### SYMPTOM

### TROUBLESHOOTING PROCEDURE

Humidifier does not operate in "Test" mode

- Make sure furnace blower is operating and thermostat is calling for heat.
- Make sure the Outdoor Temperature Sensor is connected to the "ODT" terminals of the control. (For Manual Operation, make sure Manual Mode Resistor Case is in place.)
- Check main wiring diagram for correct Humidifier Control installation.
- Check voltage at Humidifier Control "R" and "C" terminals. Voltage should be 22 VAC minimum – 30 VAC maximum.
- Check Current Sensing Relay (if used) for correct installation (see Current Sensing Relay instructions). Do not use Current Sensing Relay in transformer circuit or "R" and "C" circuit of Humidifier Control. Current Sensing Relay is to be used in the "H" circuit only.
- In "Test" mode, humidifier will operate for 1 minute only. **DO NOT LEAVE IN TEST MODE AS HUMIDIFIER WILL NOT OPERATE**
- Make sure saddle valve is open.

# Humidifier Control Troubleshooting Guide

Applies to both Automatic and Manual Operation unless indicated otherwise.

SYMPTOM	TROUBLESHOOTING PROCEDURE
---------	---------------------------

<p>“Change Humidifier Pad” Indicator is lit.</p>	<ul style="list-style-type: none"> <li>Call your installer to have your Humidifier Pad changed, or visit your installer to purchase a new Humidifier Pad. Follow the instructions on the Humidifier Pad box.</li> </ul>
--	---

<p>Humidifier operates only in “Test” mode</p>	<ul style="list-style-type: none"> <li>If outdoor temperature is greater than 60°F or less than -30°F, the Humidifier Control will only operate in the “Test” mode. (For One Minute)</li> <li>If the humidity level in the home is higher than the knob setting, the Humidifier Control will not operate the Humidifier.</li> <li>Check the resistance of the sensor by removing the leads of the Outdoor Temperature Sensor from the terminals and measuring the resistance across the wires with an ohmmeter. Compare reading to outdoor temperature in <b>Table 1</b>. (For Manual Operation, verify that resistance across the leads of Manual Mode Resistor Case is between 44,000 and 48,000 ohms).</li> <li>Make sure the Outdoor Temperature Sensor is mounted completely outside the house on the North, East, or West side of the house and out of direct sunlight. (Automatic Mode Only)</li> <li>If Outdoor Temperature Sensor is mounted in fresh air intake duct, make sure the probe is no more than 36 inches from the outside wall. (Automatic Mode Only)</li> <li>Make sure the Outdoor Temperature Sensor is located at least 3 feet away from all exhaust vents. (Automatic Mode Only)</li> </ul>
--	---

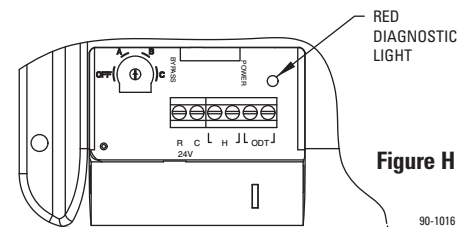
**TABLE 1**

Outdoor Temperature	Resistance $k\Omega$
-30°F	230.6
-20°F	163.8
-10°F	117.6
0°F	85.4
10°F	62.6
20°F	46.3
30°F	34.6
40°F	26.1
50°F	19.9
60°F	15.3
70°F	11.9
80°F	9.4
90°F	7.4
100°F	5.9

<p>Humidifier operates constantly</p>	<ul style="list-style-type: none"> <li>If the humidity level in the home is less than the knob setting, the Humidifier Control will operate the Humidifier until the humidity level is higher than the knob setting.</li> <li>In the “Test” mode, verify unit will operate for approximately one minute.</li> <li>Check the resistance of the Outdoor Temperature Sensor as instructed above.</li> <li>Make sure the Outdoor Temperature Sensor is mounted completely outside the house on the North, East, or West side of the house and out of direct sunlight. (Automatic Mode Only).</li> <li>Rotate the Humidifier Control knob counterclockwise to the “Off” position, and observe whether the humidifier turns off. If the humidifier still operates in the “Off” position, perform the following:                             <ol style="list-style-type: none"> <li>Check summary wiring diagram for correct Humidifier Control Installation.</li> <li>Remove wires from Humidifier Control’s “H” terminals. If Humidifier continues to operate, replace solenoid valve.</li> </ol> </li> </ul>
---------------------------------------	--

<p>Humidifier or Humidifier Control “chatters” or clicks ON and OFF rapidly</p>	<ul style="list-style-type: none"> <li>Check for steady 22 VAC – 30 VAC with voltmeter.</li> <li>Make sure Outdoor Temperature Sensor wiring is not run alongside wires carrying high voltage (120 VAC or higher). (Automatic Only)</li> </ul>
---	--

<p>Red Diagnostic Light is on (See <b>Figure H</b>)</p>	<ul style="list-style-type: none"> <li>Check that the wiring is correct.</li> <li>Measure the resistance of the Outdoor Temperature Sensor by removing the leads from the terminal and measuring the resistance across the wires with an ohmmeter. Confirm the reading with the temperature in <b>Table 1</b>. (For Manual Operation, verify that the resistance across the leads of the Manual Mode Resistor Case is between 44,000 and 48,000 ohms).</li> </ul>
---	---



**Figure H**

## ⚠ CAUTION

Sharp edges hazard.  
Equipment sharp edges can cause injuries.  
Use protective gloves when grasping equipment edges.

## ⚠ NOTICE

Do not mount Humidifier Control on supply plenum or duct. The unit will not withstand supply temperatures and will malfunction!  
When installing Humidifier Control on counterflow furnaces, ensure blower continues to run after a heat call is satisfied to eliminate high temperatures from damaging the Humidifier Control.  
Do not mount Humidifier Control downstream of the bypass outlet. False humidity conditions will cause humidifier to operate incorrectly.

- CUT OUT TEMPLATE ALONG EDGES.
- PLACE THIS TEMPLATE ON THE RETURN PLENUM UPSTREAM OF (BEFORE) THE HUMIDIFIER CONNECTION.
- TRACE THE OUTSIDE EDGES OF THIS TEMPLATE.
- REMOVE TEMPLATE AND ACCURATELY CUT THE PLENUM OPENING.
- USING 4 SHEET METAL SCREWS, INSTALL HUMIDIFIER CONTROL IN PLENUM OPENING.

## HUMIDIFIER CONTROL TEMPLATE

4-11/16" x 2-15/16"