

505,086M  
(0659386-02)  
8/2012  
Supersedes 11/2006)

# DOWNFLOW INSTALLATION KIT

## INSTALLATION INSTRUCTIONS FOR DOWNFLOW KIT USED TO MODIFY AIR HANDLER UNITS FOR DOWNFLOW APPLICATION

**THIS MANUAL MUST BE LEFT WITH THE HOMEOWNER FOR FUTURE REFERENCE**

### **⚠ WARNING**

Improper installation, adjustment, alteration, service or maintenance can cause personal injury, loss of life, or damage to property.

Installation and service must be performed by a licensed professional installer (or equivalent) or a service agency.

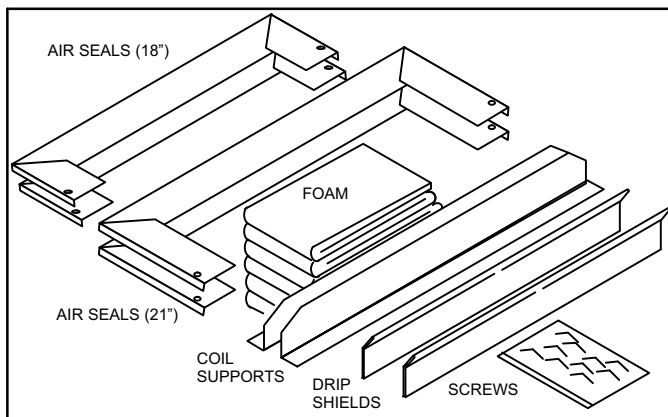
### Shipping & Packing List

Package 1 of 1 contains the following (shown in figure 1):

- 2 - Coil support rails (left and right)
- 2 - Drip shields
- 1 - 6 foot length of adhesive-backed foam
- 6 - #8-18 x 1" screws
- 4 - #8-18 x 1/2" self-tapping screws
- 4 - Air seals (2 of each size; usage shown in table 1)

**Table 1**

CB26UH/CB26UH-R/CBX26UH Model	Air seals	
	18"	21"
-018	2	—
-024	2	—
-030	—	2
-036	—	2
-037	—	2
-042	—	2
-048	—	2
-060	—	2



**Figure 1. Downflow Kit Components**

8/2012

### General Information

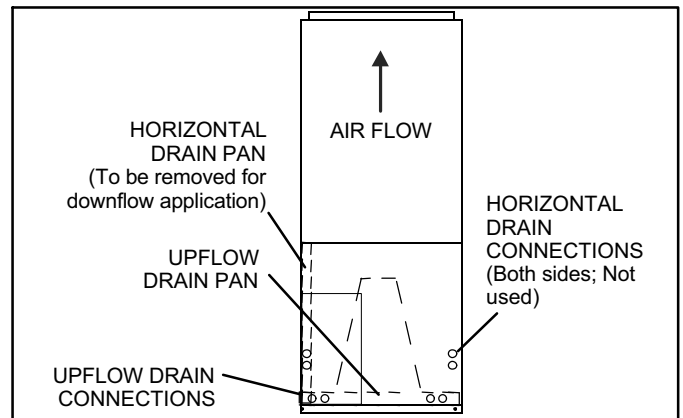
This kit is used to modify air handler units for use in downflow applications. The procedures require that the installer remove the evaporator coil and re-install it for downflow air discharge application.

Figure 2 shows the air handler unit as configured at the factory. As shipped, the units are ready for installation in either upflow or horizontal left-hand air discharge applications.

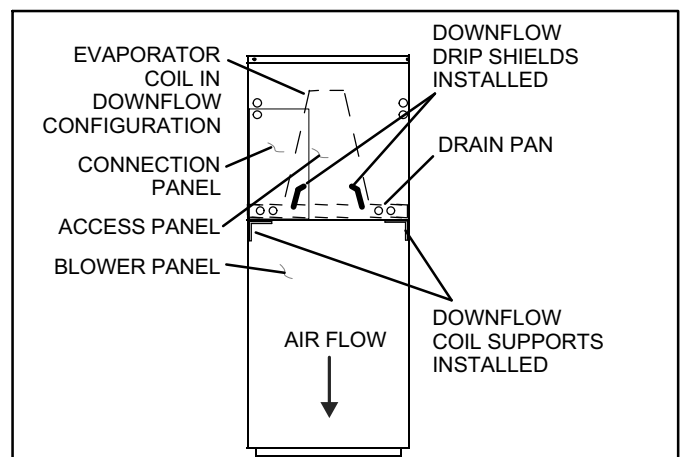
Figure 3 shows the air handler unit after re-configuring for installation in downflow air discharge applications.

Lennox model CB26UH and CBX26UH require installation of this kit for downflow applications (Lennox part # 12W61).

**NOTE - A downflow combustible floor base is *not* required with CB26UH and CBX26UH units.**



**Figure 2. As Shipped Configuration**



**Figure 3. Downflow Configuration**

505,086M (0659386-02)

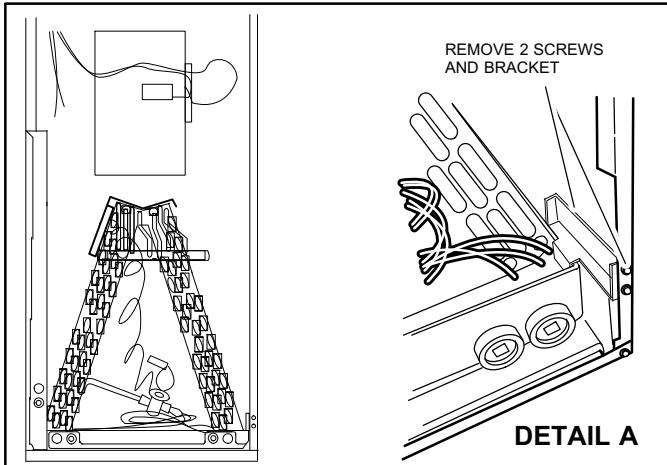


## Installation

### CAUTION

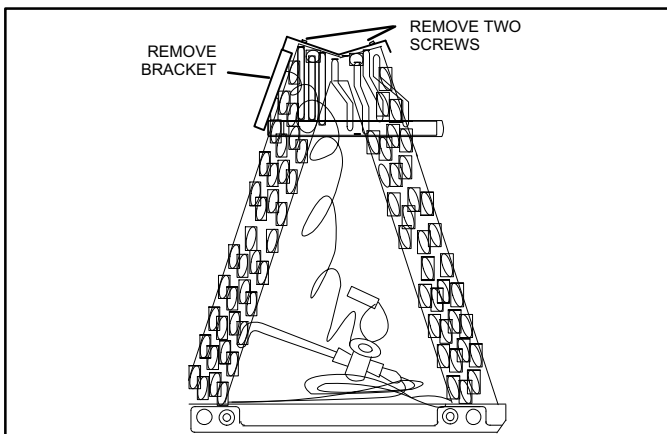
Be certain all power has been disconnected from the air handler before beginning work.

1. Remove the connection panel, access panel, and the blower panel. Keep all panels and screws; these will be re-used when reassembling.
2. Remove two screws in the coil support bracket at the bottom of the air handler (see Detail A in figure 4). This bracket will not be reinstalled for downflow air discharge applications.



**Figure 4. Remove Coil Support Bracket**

3. Carefully slide the coil and the horizontal drain pan assembly from the air handler cabinet. Discard the horizontal drain pan; it cannot be used in a downflow air discharge application.
4. As shipped from the factory, the coil has a blow off-prevention bracket installed for use only with horizontal air discharge applications. Remove this bracket for downflow applications (see figure 5).

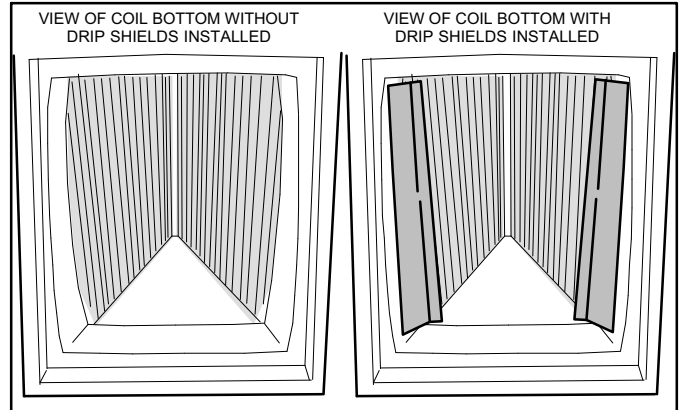


**Figure 5. Remove Blow-off Prevention Bracket**

5. Working from the bottom of the coil, install the two drip shields over the side edges of the drain pan (see figure 6).

*NOTE - Failure to install the drip shields (step 5), or the foam (in step 6) can result in condensate blow-off and subsequent damage to the building and its contents.*

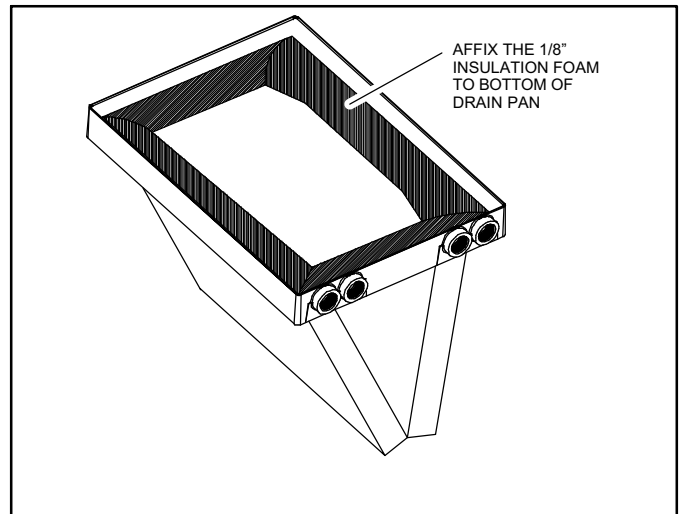
*NOTE - On larger units (-037 through -060) the drip shields are centered front-to-back.*



**Figure 6. Installing Drip Shields**

6. Remove the paper backing and affix the 1/8" insulating foam (supplied with the kit) to the bottom of the horizontal drain pan as shown in figure 7.

*NOTE - Foam is installed to prevent condensation from forming on the bottom of the drain pan.*



**Figure 7. Installing Foam**

7. Be sure that the plenum opening is large enough to clear the supply (discharge) duct flanges.
8. Using the two angle brackets and six #8-18 x 1" screws provided in the downflow kit, install the coil supports brackets onto the inner sides of the cabinet (see figure 8).
9. Tighten the screws **AFTER** installing the rear air seal in Step 10.

10. Select the the appropriate sized air seals (18" or 21"; see table 1) and install as follows:

Shape the air seals (like a "U" as shown in figure 1) and position it onto the downflow coil supports. Be sure the seal seats against the back of the air handler and that the front will seat against the access panel when re-installed.

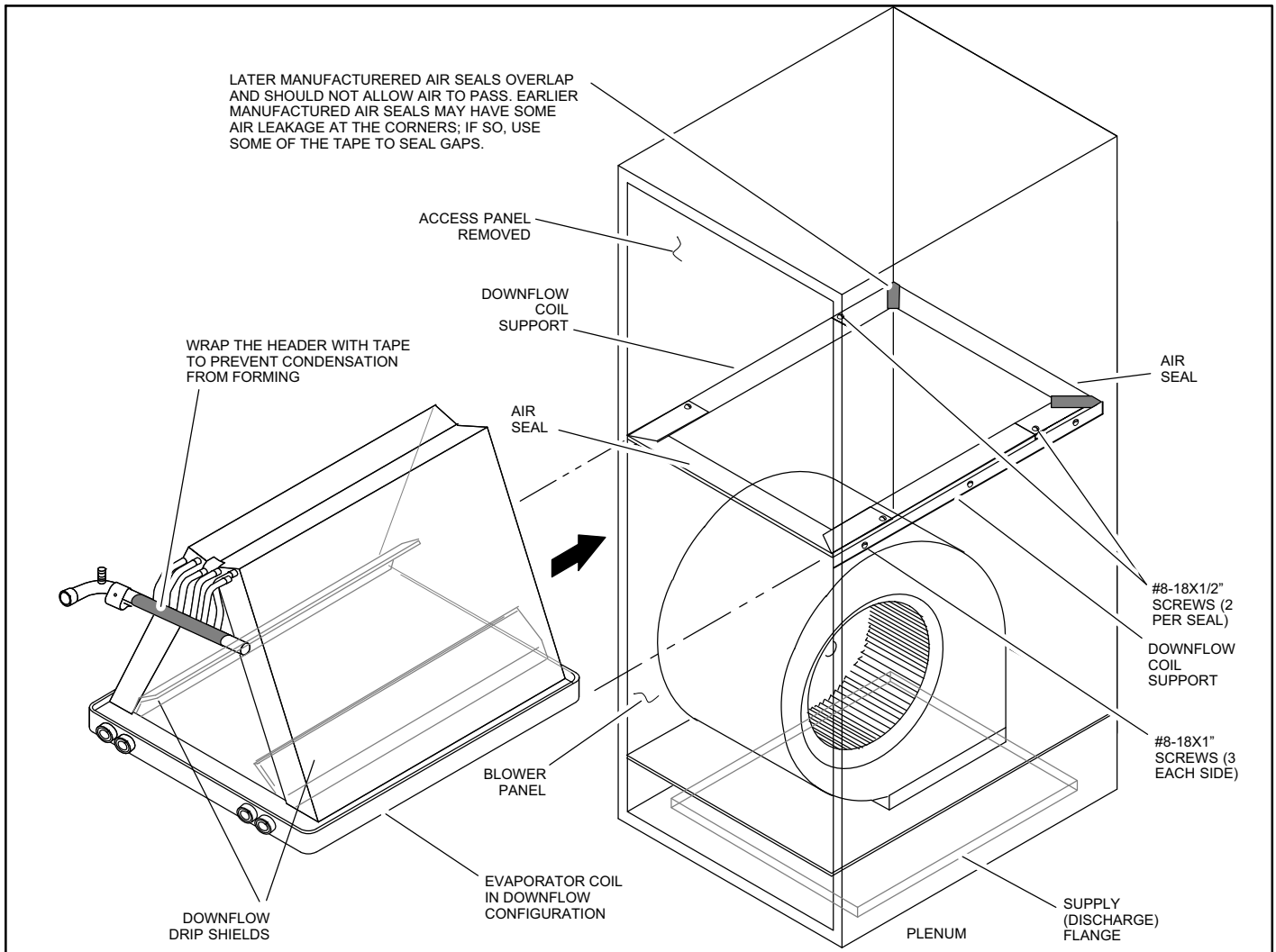
Drill a 3/32" hole in each coil support bracket where the pre-drilled holes in the air seal align. Then secure the air seals to the coil support brackets using provided self-tapping screws.

Tighten the screws attaching the coil support brackets

to the air handler (installed in Step 8).

*NOTE - Be sure the air seal screws have been fully tightened and will not interfere with the drain pan.*

11. Install evaporator coil and bottom drain pan assembly on the downflow coil support brackets.
12. Re-install the connection panel making sure that the openings are properly aligned with the lines.
13. Re-install the blower and access panels in the inverted position.
14. Install converted air handler onto floor opening. Apply sealant as required.



**Figure 8. Installing Downflow Coil Support Brackets**

