

**INSTALLATION INSTRUCTIONS**  
**HEALTHY CLIMATE® MODELS C1UVCL10A-1Y, C1UVCL10A-1G, C1UVCL10A-1J**

**General**

The Healthy Climate® germicidal lamp emits ultraviolet (UVC) energy, which has been proven effective in reducing microbes such as viruses, bacteria, yeasts, and molds.

UVC germicidal lights greatly reduce the growth and proliferation of mold and other bioaerosols (bacteria and viruses) on illuminated surfaces.

Germicidal lamps are NOT intended to be used for removal of active mold growth. Existing mold growth must be appropriately removed PRIOR to installation of the germicidal light.

**⚠ DANGER**

**Ultraviolet (UVC) Radiation Hazard.**

Any exposure will cause significant eye damage and may cause skin damage.

Do not look into UV light source. Wear UV eye and skin protection. Access panels must be in place during appliance operation. Disconnect power to UVC appliance before general servicing of rooftop equipment.

**Application**

This device is designed to fit Lennox L Series package units LG/LC/LH 036-072.

This device is equipped with an LED status indicator. LED is on when UV light is on. (Refer to Fig.4 for details.)

**Unique Supplies**

- Cotton cloth and gloves for handling and cleaning UVC lamp.



**⚠ WARNING**

**Electric shock hazard.**

Can cause injury or death.

Disconnect all remote electrical power supplies before servicing.

Access panels must be in place during the appliance operation.

**Shipping and Packing List**

**Package 1 of 1 contains:**

- 1 - Healthy Climate® germicidal unit
- 1 - UVC lamp
- 1 - Lamp support
- 1 - Lamp guard
- 2 - Safety interlock switches and mounts
- 1 - Control hat section
- 1 - Mounting hardware
- 1 - Aluminum foil tape roll
- 1 - Installation and maintenance instructions
- 1 - Wiring diagram
- 1 - Warranty sheet
- 1 - Registration card
- 2 - UVC Danger labels
- 2 - Electric shock hazard warning labels
- 1 - LED Notice label

Check parts for shipping damage. Receiving party should contact last carrier immediately if shipping damage is found.

**⚠ WARNING**

**Risk of property damage, injury, or death.**

Installation, adjustments, alterations, service and maintenance must be performed by a qualified service technician.

**⚠ WARNING**

**Potential Mold Spore Release.**

Application of UVC lights to existing mold growth can cause respiratory irritation and allergic symptoms.

Do not use UVC lights where active mold growth exists. Remove active mold growth from surfaces prior to operation of UV lights.

**⚠ NOTICE**

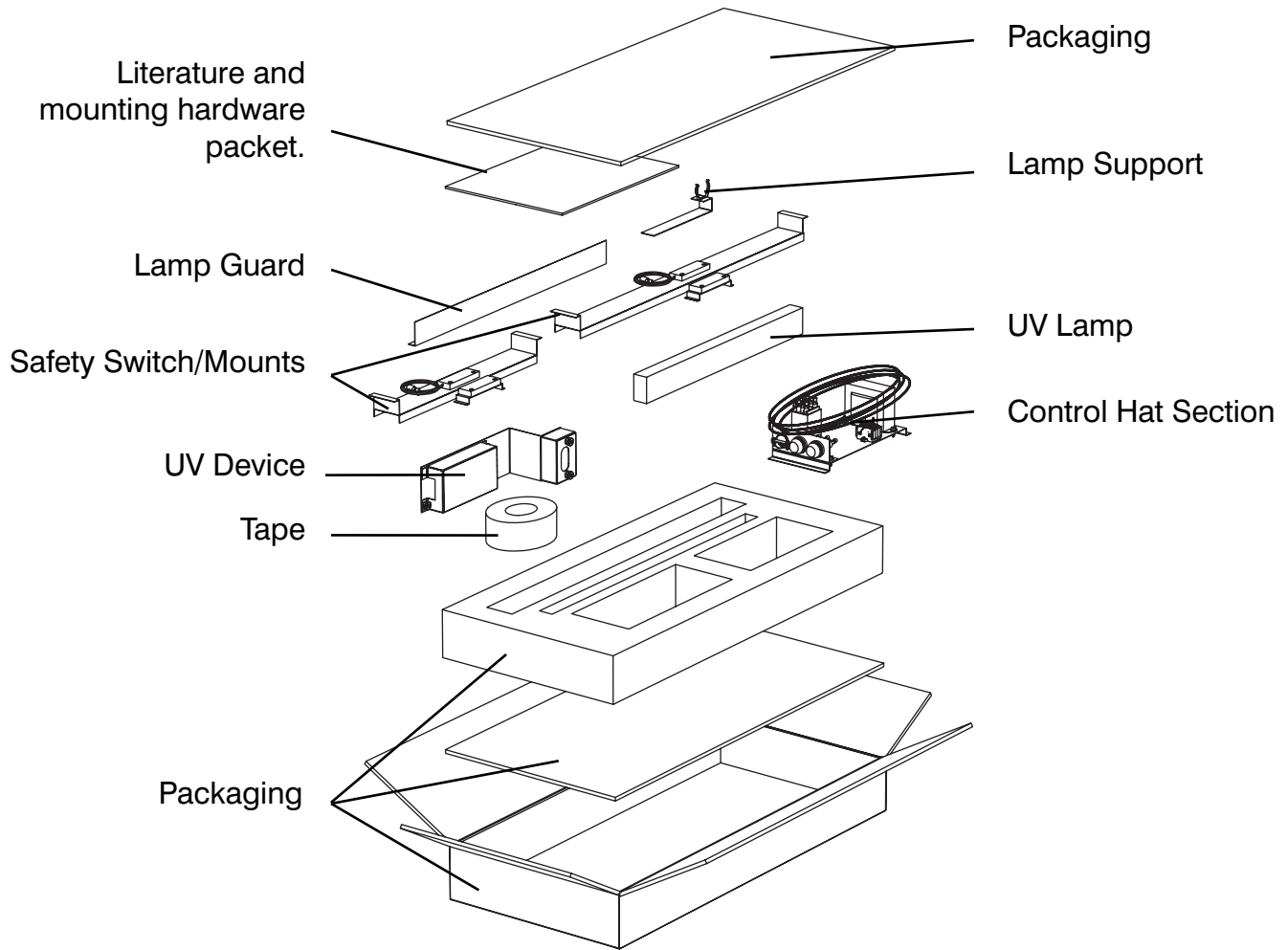
**Potential odor emissions.**

Odors may be present when some materials are exposed to UV light. These materials may include **Technicoated or E-Coated** Coils. Other materials may include chemicals, solvents, polymers and organic materials.

Some occupants may notice irritation or discomfort.

If odors are present, the UV Lights should be turned off and fresh air should be introduced into the occupied space immediately. Contact your Independent Lennox Dealer.

# Unpacking List



## Dimensions/Specifications

### DIMENSIONS:

24.5" L x 7.375" W x 11.25" H  
(622mm x 187mm x 286mm)

### ELECTRICAL:

C1UVCL10A-1Y - 208/230V, 50/60Hz, 0.58A.

C1UVCL10A-1G - 460V, 60Hz, 0.58A.

C1UVCL10A-1J - 575V, 60Hz, 0.58A.

Use 600V, 10 amp, fast acting, fuse only.

### DEVICE OPERATING TEMPERATURE:

5°F - 149°F (5°C - 60°C) Outside of duct.

Relative humidity: <95%.

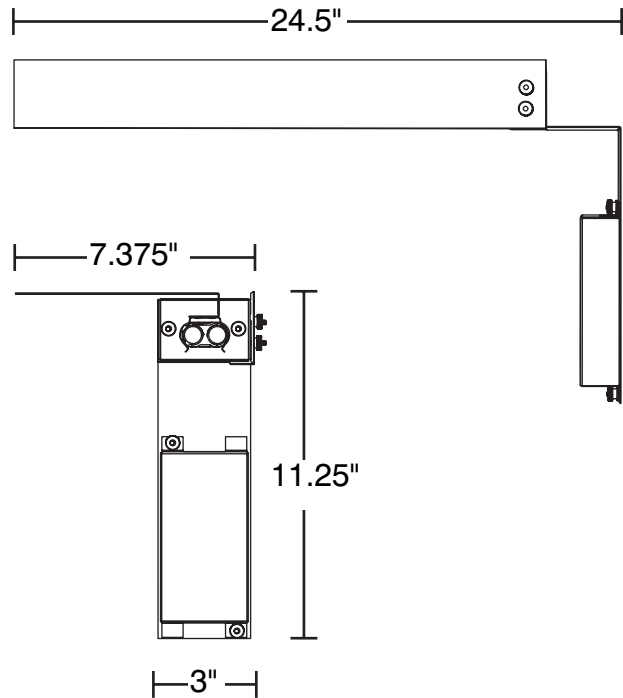
### LISTINGS:

ETL Safety Listing File #2002554.

This device complies with FCC - CFR47 Part 18  
Consumer (Class B).

U.S. Patent Nos. 5,334,347, 5,817,276, 6,245,293, 6,267,924,  
6,280,686, 6,313,470, 6,627,000, 6,539,727, 6,932,494, 6,550,257.

Specifications subject to change without notice.



## Parts Arrangement

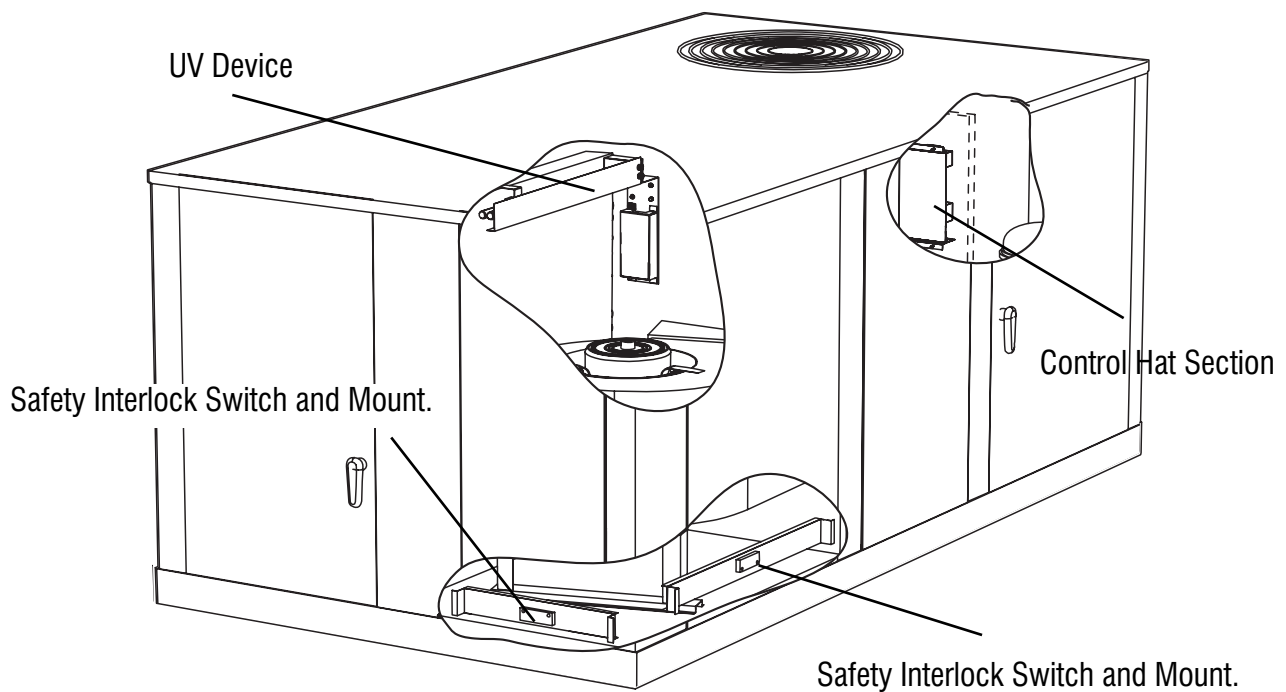


Fig.1 Part Arrangement

## Installation

### PREPARING THE INSTALLATION LOCATION

Before installing the device:

1. Turn off electrical power to rooftop unit.
2. Open blower and electrical access panels/doors.

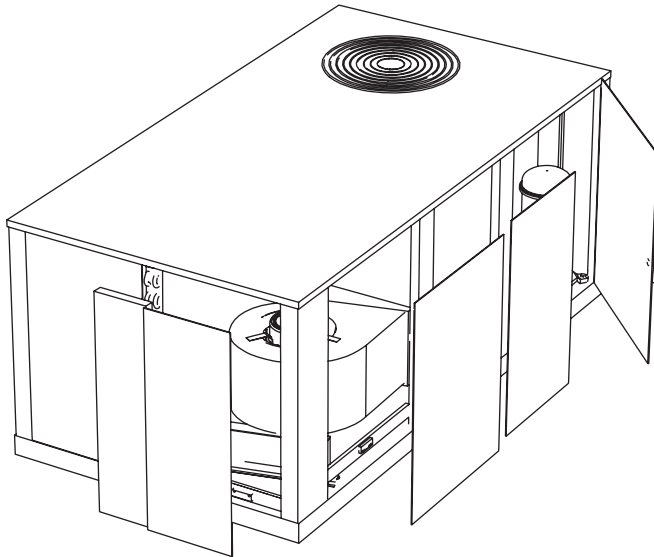


Fig. 2 Open access panels/doors.

### UVC EXPOSURE PROTECTION (Fig. 3)

Use aluminum foil tape to protect plastic parts, wiring, and tubing insulation exposed to UVC light.

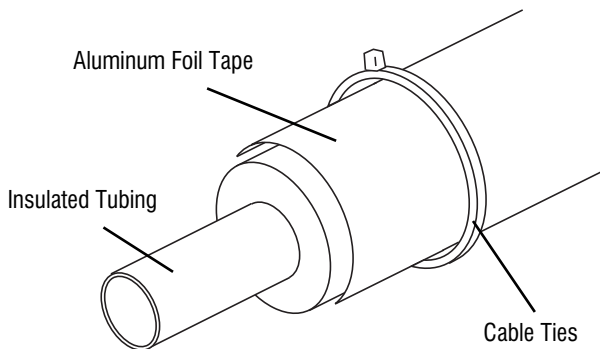


Fig. 3 Wrap exposed tubing insulation with foil tape and cable ties.

### MOUNT CONTROL HAT SECTION (Fig. 4)

1. Mount control hat section on the wall of the electrical compartment using included mounting screws. (See Fig. 1 for location.)

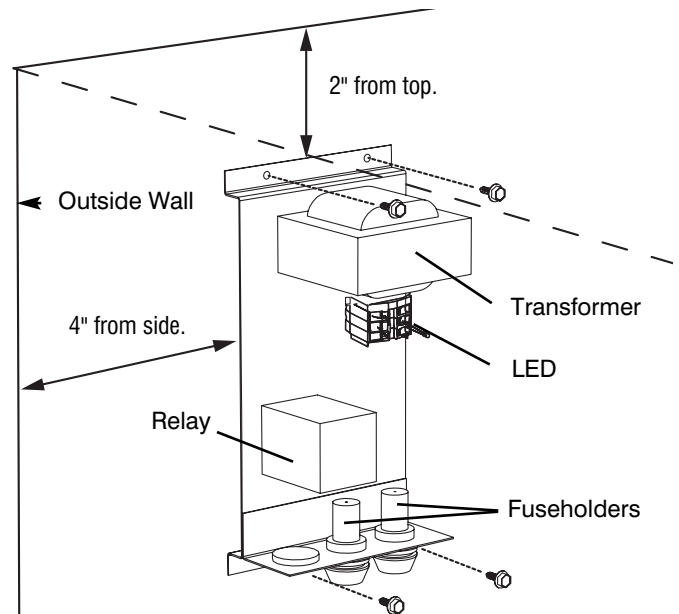


Fig. 4 Mount control hat section.

### ⚠ WARNING

#### Potential Risk of Fire.

Dust, lint and other debris may cause fire if allowed to come in contact with illuminated UVC lamp.

Remove any dust, lint or other debris from lamps and surrounding duct system.

### ⚠ CAUTION

#### Potential Risk of Degradation of Materials.

UVC light may damage plastics and rubber materials. May cause fabric discoloration.

Avoid UVC light exposure to plastic drain pans, wire insulation, flex duct or other plastic/rubber components.

## Installation

### INSTALLING THE DEVICE

The device mounts vertically to coil/blower compartment wall. **Note: Blower proving switch must be repositioned away from coil to allow installation of UV device.**

Remove lamp cover from device prior to installation. (Fig.5.)

Position device 4" from coil and all the way to the top of compartment ceiling. Mount the device using included self-drilling screws. (Fig.6)

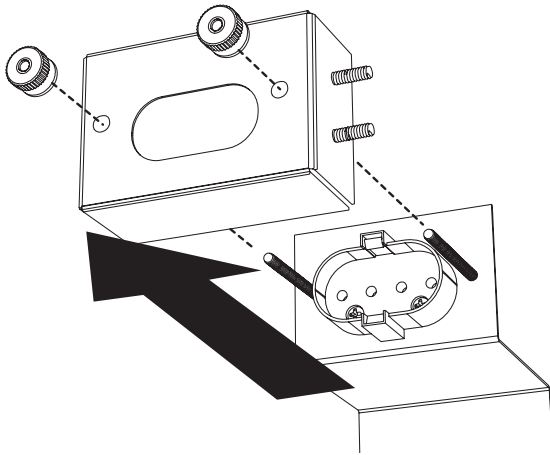


Fig. 5 Press lamp into place then attach lamp cover.

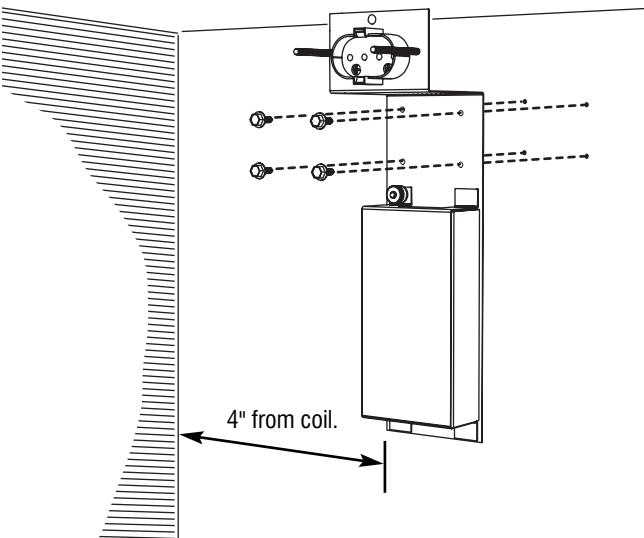


Fig. 6 Install the device inside the coil/blower compartment.

### INSTALLING LAMP (Fig. 6)

Press lamp into lamp holder and snap in place. Then slide the lamp cover onto the lamp and secure it to the device with the two knurled nuts.

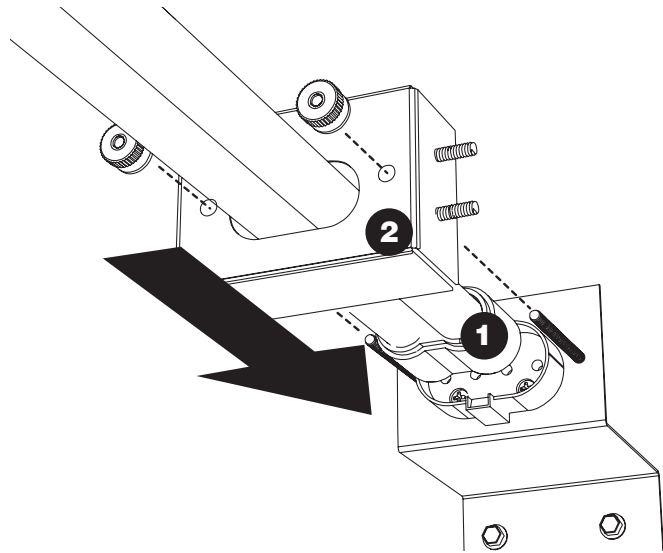


Fig. 7 Press lamp into place then attach lamp cover.

### ⚠ CAUTION

#### Lamp(s) Contain Mercury.

Ingestion or contact with mercury or mercury vapor is hazardous to your health.

Take care when handling lamps. If lamp is broken, avoid contact with mercury.

### ⚠ CAUTION

#### Sharp Edges Hazard.

Equipment sharp edges can cause injuries.

Use protective gloves when grasping equipment edges.

### ⚠ NOTICE

Clean lamps prior to installation using a cotton cloth to remove dirt and fingerprints.

Failure to clean lamp(s) could shorten the lamp(s) lifespan.

## Installation

### INSTALL LAMP SUPPORT (Fig. 8)

Slide lamp support between the top of the coil and the compartment ceiling. Press into place then snap lamp retainer over lamp. Position retainer 1.5" from tip of lamp.

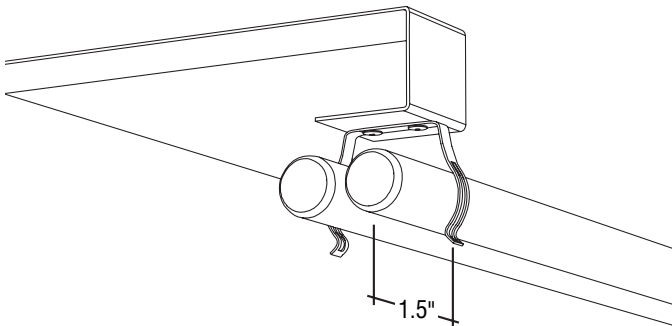


Fig. 8 Attach lamp support.

### INSTALL LAMP GUARD (Fig. 9)

Mount lamp guard to lamp cover using included knurled nuts. There should be zero clearance between top of lamp guard and compartment ceiling.

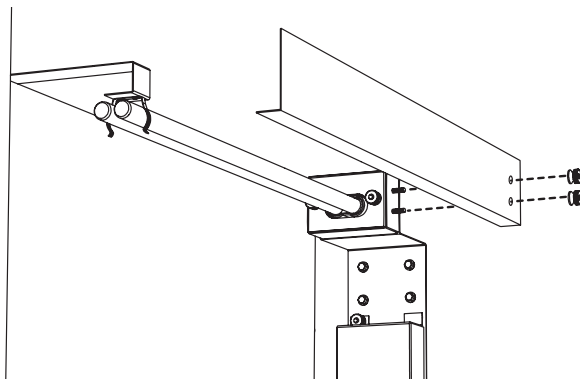


Fig. 9 Attach lamp guard to lamp cover.

## ⚠ DANGER

### Ultraviolet (UVC) Radiation Hazard.

Any exposure will cause significant eye damage and may cause skin damage.

Do not look into UV light source. Wear UV eye and skin protection. Access panels must be in place during appliance operation. Disconnect power to UVC appliance before general servicing of rooftop equipment.

### INSTALL SAFETY INTERLOCKS

Mount the safety interlock switches so that power to the device is automatically disconnected anytime the coil/blower compartment access panels are removed.

1. Position long and short safety interlock switch/mounts between frames of access opening, 1" from the bottom, and attach with included self-drilling screws. (See Fig. 10.)
2. Install safety interlock switch actuators to inside of both blower access panels. (See Fig. 11.)

**Note: Actuators should be positioned directly across from the interlock switches when the panels are closed.**

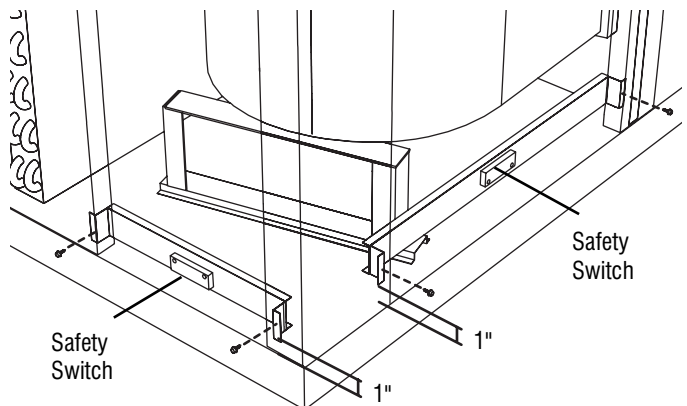


Fig. 10 Mount safety interlock switches to baffles.

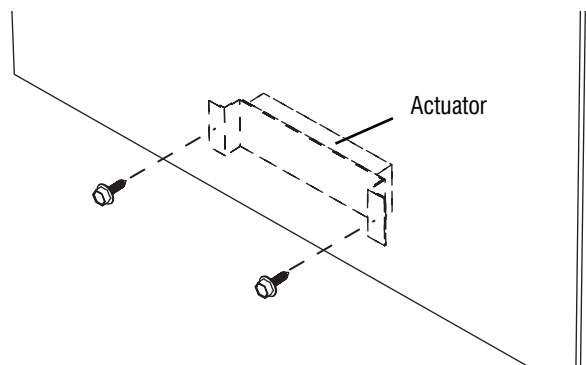


Fig. 11 Mount safety interlock actuators to access doors.

## Installation

### CONNECT HARNESS

Route harness through existing knockouts between the coil compartment and the electrical compartment. Use included wire ties to secure harness to existing wiring. (See Fig. 12.)

Connect white wire to L1 of K3 contactor.  
Connect red wire to L2 of K3 contactor.  
Connect purple wire and gray wire to TB34 low voltage terminal. (See Fig. 13) (Refer to wiring diagram included separately.)

Connect UVC device to harness.

Connect safety interlock switches. Use included jumper wire to connect safety interlock switches together. Then connect to harness. (See Fig. 14.)

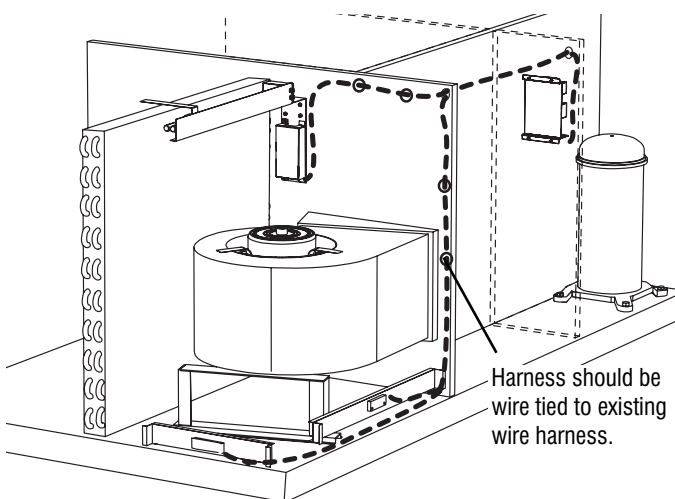


Fig. 12 Connect harness.

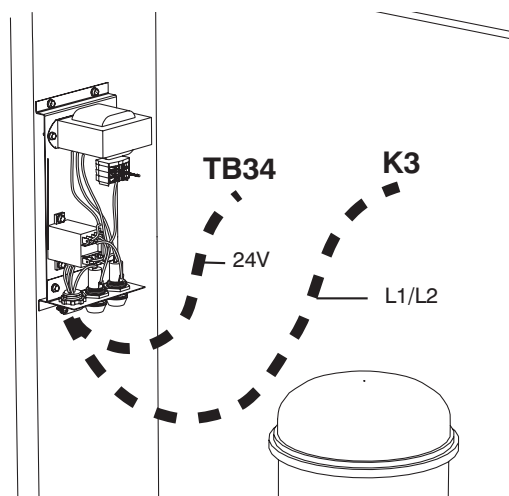


Fig. 13 Connect to TB34 and K3 terminals.

Harness from control hat section.

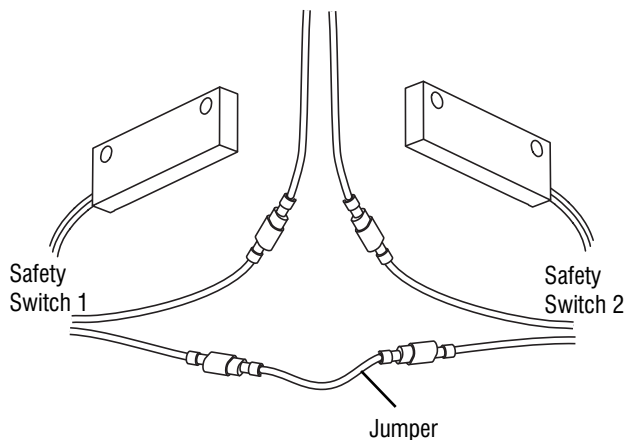


Fig. 14 Connect safety interlock switches to jumper and harness.

### **⚠ WARNING**

**Electrical Safety Hazard.**

Can cause injury or death.

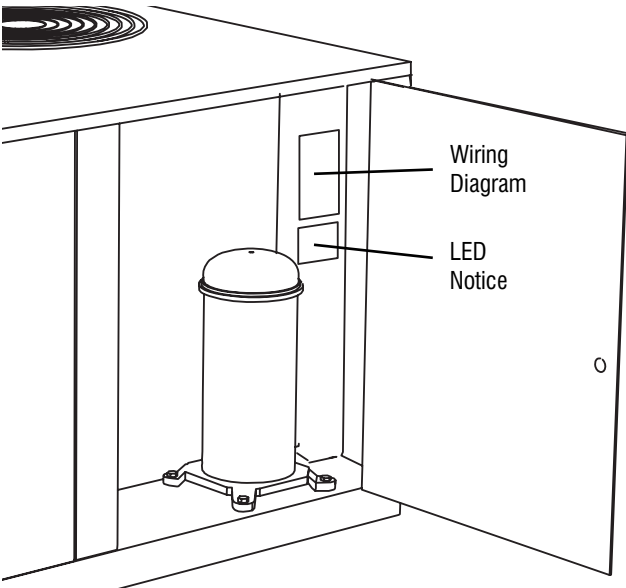
Do not alter power cord. Any alteration is a violation of ETL and UL listing and will void the Lennox warranty.

**FINISH INSTALLATION**

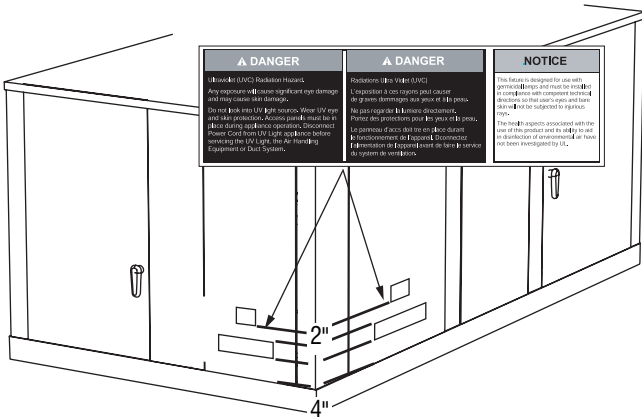
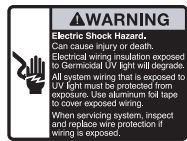
Apply wiring diagram and LED Notice label inside compressor compartment. (See Fig. 14.) Surface must be clean prior to applying label.

Close all access panels/doors and connect power.

Apply UVC Danger and Electric Shock Hazard labels to blower access panels so they are clearly visible. (See Fig. 15.) Surface must be clean prior to applying label.



**Fig. 14** Apply wiring diagram and LED notice labels.



**Fig. 14** Apply UV and shock hazard warning labels.



## Maintenance

For all maintenance, contact a qualified HVAC technician.

### IF THE LED DOES NOT ILLUMINATE

1. Check for proper power.
2. Check lamp for proper connection.
3. Check safety interlock switches.
4. Check fuse.

### LAMP REPLACEMENT(Annually)

The lamp should be replaced annually even if it appears to be operating normally. UVC energy production diminishes over time.

1. Turn off power to the unit.
2. Open the coil access door.
3. Remove the lamp guard.
4. Remove the lamp cover. (See Fig. 5.)
5. Unfasten lamp support and remove old lamp.
6. Insert new lamp and refasten lamp support. Be sure to clean lamp of dust and fingerprints prior to installation. (See Fig. 7.)
7. Replace the lamp cover.
8. Replace the lamp guard
9. Close coil access door.
10. Turn on power to the unit.

### DANGER

#### Ultraviolet (UVC) Radiation Hazard.

Any exposure will cause significant eye damage and may cause skin damage.

Do not look into UV light source. Wear UV eye and skin protection. Access panels must be in place during appliance operation. Disconnect power to UVC appliance before general servicing of rooftop equipment.



### WARNING

#### Electric shock hazard.

Can cause injury or death.  
Disconnect all remote electrical power supplies before servicing.  
Access panels must be in place during the appliance operation.

### LAMP DISPOSAL

Hg-LAMP CONTAINS MERCURY.

Manage in accord with disposal laws.

Refer to [www.lamprecycle.org](http://www.lamprecycle.org) or call 1-800-9-LENNOX.

### PROPER CLEAN-UP TECHNIQUE IN CASE OF LAMP BREAKAGE

- Wear protective gloves, eyewear and mask.
- Sweep the broken glass and debris into a plastic bag, seal the bag, and dispose of properly. Contact your local waste management office for proper disposal.
- **Do not use a vacuum cleaner. Do not incinerate.**

## Replacement Parts

Description	C1UVCL10A-1Y	C1UVCL10A-1G	C1UVCL10A-1J
UVC Lamp	X7624	X7624	X7624
Transformer	-	96M07	96M08
Relay	67K65	67K65	67K65
Ballast	X7625	X7625	X7625
Safety Switch	64X53	64X53	64X53

Contact your local Lennox dealer to order replacement parts. For the Lennox dealer nearest you, dial 1-800-9-Lennox. Visit us at <http://www.Lennox.com>

### WARNING

#### Personal Burn Hazard.

Personal injury may result from hot lamps.

During replacement, allow lamp to cool for 10 minutes before removing lamp from fixture.

### WARNING

#### Potential Risk of Fire.

Dust, lint and other debris may cause fire if allowed to come in contact with illuminated UVC lamp.

Remove any dust, lint or other debris from lamps and surrounding duct system.

### CAUTION

#### Lamp(s) Contain Mercury.

Ingestion or contact with mercury or mercury vapor is hazardous to your health.

Take care when handling lamps. If lamp is broken, avoid contact with mercury.