

INSTALLATION INSTRUCTIONS
HEALTHY CLIMATE® MODELS C1UVCL10C-1Y, C1UVCL10C-1G, C1UVCL10C-1J

General

The Healthy Climate® germicidal lamp emits ultraviolet (UVC) energy, which has been proven effective in reducing microbes such as viruses, bacteria, yeasts, and molds.

UVC germicidal lights greatly reduce the growth and proliferation of mold and other bioaerosols (bacteria and viruses) on illuminated surfaces.

Germicidal lamps are NOT intended to be used for removal of active mold growth. Existing mold growth must be appropriately removed PRIOR to installation of the germicidal light.

⚠ DANGER

Ultraviolet (UVC) Radiation Hazard.

Any exposure will cause significant eye damage and may cause skin damage.

Do not look into UV light source. Wear UV eye and skin protection. Access panels must be in place during appliance operation. Disconnect power to UVC appliance before general servicing of rooftop equipment.

Application

This device is designed to fit Lennox L Series package units LG/LC/LH 156-300S.

This device is equipped with an LED status indicator. LED is on when UV light is on. (Refer to Fig. 4 for details.)

Unique Supplies

- Cotton cloth and gloves for handling and cleaning UVC lamp.
- 1.5" (38mm) Holecutter.
- 5/16" (8mm) Hex driver extension - 5" (127mm) min.



⚠ WARNING

Electric shock hazard.

Can cause injury or death.

Disconnect all remote electrical power supplies before servicing.

Access panels must be in place during the appliance operation.

Shipping and Packing List

Package 1 of 1 contains:

- 2 - Healthy Climate® germicidal units
- 2 - UVC lamps
- 1 - Mounting channel
- 3 - Channel brackets
- 1 - Safety interlock switch
- 1 - Blower access safety shield
- 1 - Control hat section
- 1 - Mounting hardware
- 1 - Aluminum foil tape roll
- 1 - Installation and maintenance instructions
- 1 - Wiring diagram
- 1 - Warranty sheet
- 1 - Registration card
- 1 - UVC Danger label
- 1 - Electric shock hazard warning labels
- 1 - LED Notice label

Check parts for shipping damage. Receiving party should contact last carrier immediately if shipping damage is found.

⚠ WARNING

Risk of property damage, injury, or death.

Installation, adjustments, alterations, service and maintenance must be performed by a qualified service technician.

⚠ WARNING

Potential Mold Spore Release.

Application of UVC lights to existing mold growth can cause respiratory irritation and allergic symptoms.

Do not use UVC lights where active mold growth exists. Remove active mold growth from surfaces prior to operation of UV lights.

⚠ NOTICE

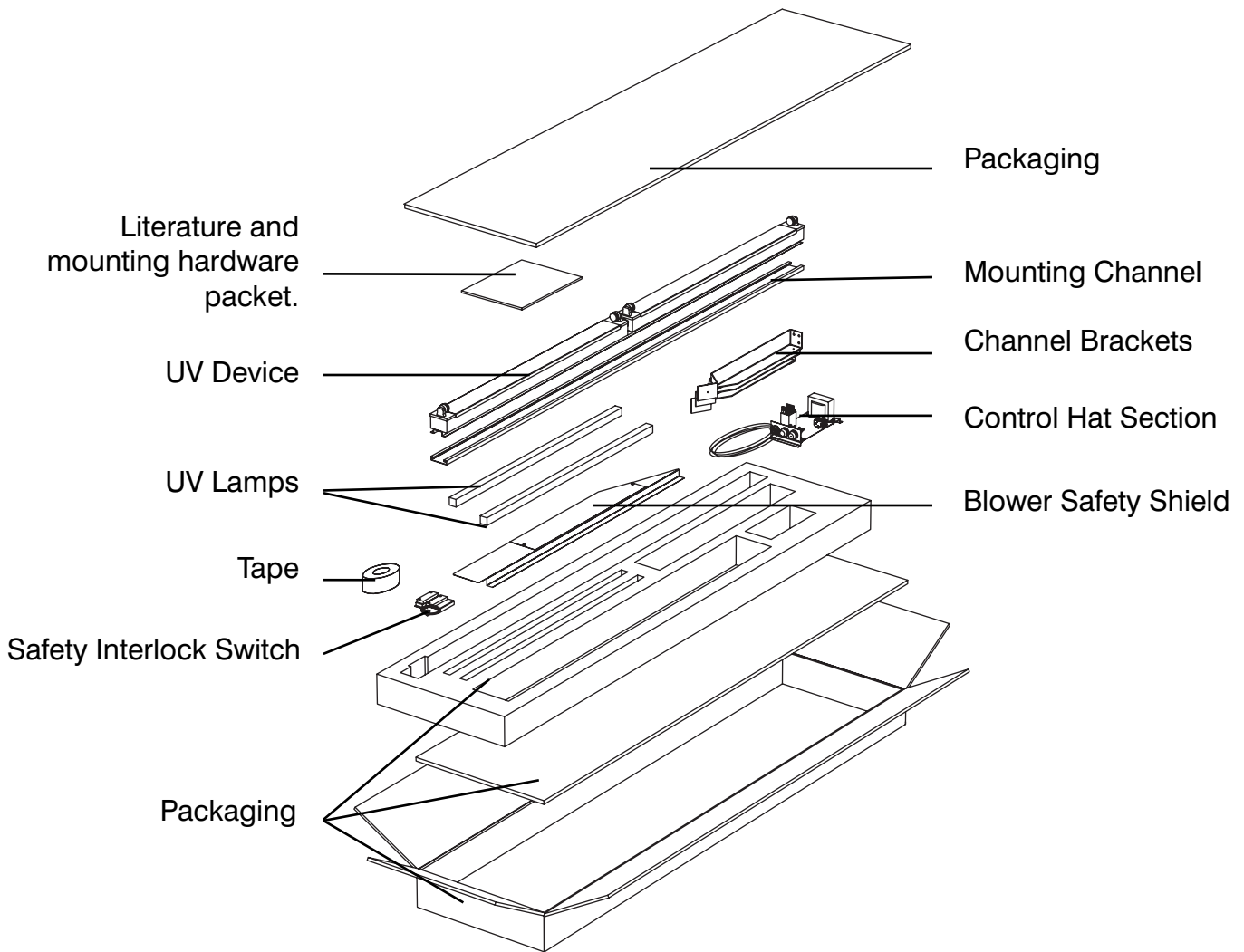
Potential odor emissions.

Odors may be present when some materials are exposed to UV light. These materials may include **Technicoated or E-Coated Coils**. Other materials may include chemicals, solvents, polymers and organic materials.

Some occupants may notice irritation or discomfort.

If odors are present, the UV Lights should be turned off and fresh air should be introduced into the occupied space immediately. Contact your Independent Lennox Dealer.

Unpacking List



Dimensions/Specifications

DIMENSIONS:

73" L x 2.5" W x 3.5" H
(1854mm x 64mm x 89mm)

ELECTRICAL:

C1UVCL10C-1Y - 208/230V, 50/60Hz, 1.06A.

C1UVCL10C-1G - 460V, 60Hz, 1.06A.

C1UVCL10C-1J - 575V, 60Hz, 1.06A.

Use 600V, 10 amp, fast acting, fuse only.

DEVICE OPERATING TEMPERATURE:

5°F - 149°F (5°C - 60°C) Outside of duct.

Relative humidity: <95%.

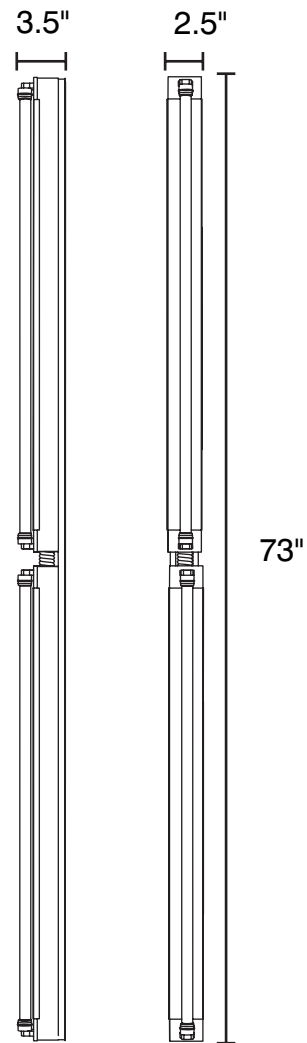
LISTINGS:

ETL Safety Listing File #2002554.

This device complies with FCC - CFR47 Part 18
Consumer (Class B).

U.S. Patent Nos. 5,334,347, 5,817,276, 6,245,293, 6,267,924,
6,280,686, 6,313,470, 6,627,000, 6,539,727, 6,932,494, 6,550,257.

Specifications subject to change without notice.



Parts Arrangement

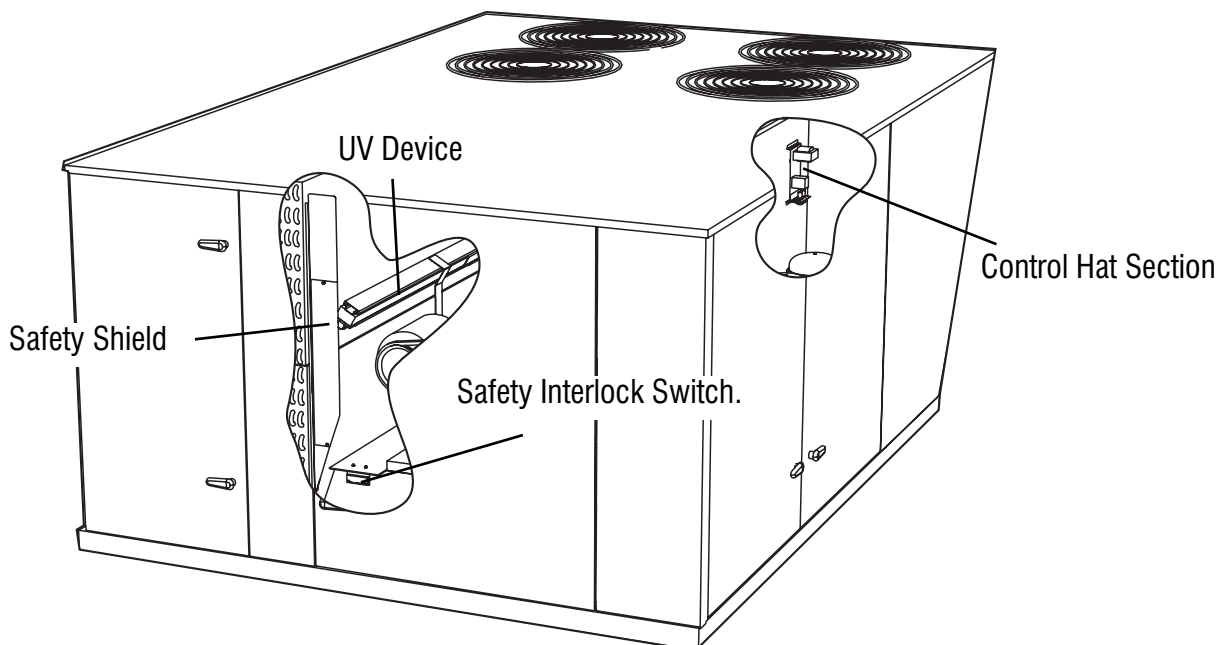


Fig.1 Part Arrangement

Installation

PREPARING THE INSTALLATION LOCATION

Before installing the device:

1. Turn off electrical power to rooftop unit.
2. Open coil, blower, and electrical access doors.

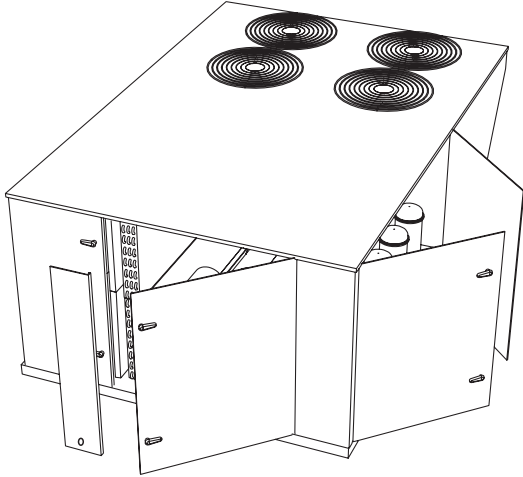


Fig. 2 Open access doors and panels.

UVC EXPOSURE PROTECTION (Fig. 3)

Use aluminum foil tape to protect plastic parts, wiring, and tubing insulation exposed to UVC light.

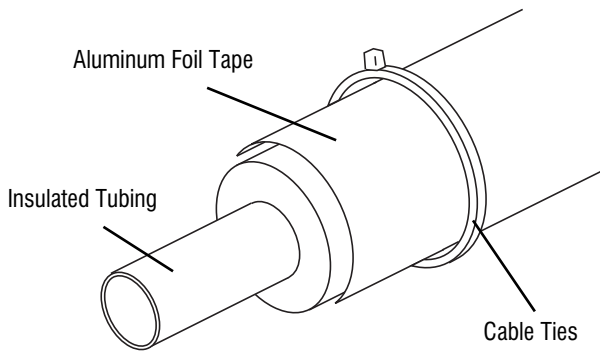


Fig. 3 Wrap exposed tubing insulation with foil tape and cable ties.

INSTALLING THE CONTROL HAT SECTION

1. Mount control hat section in the upper right corner of the electrical compartment using included mounting screws. (Fig. 4)

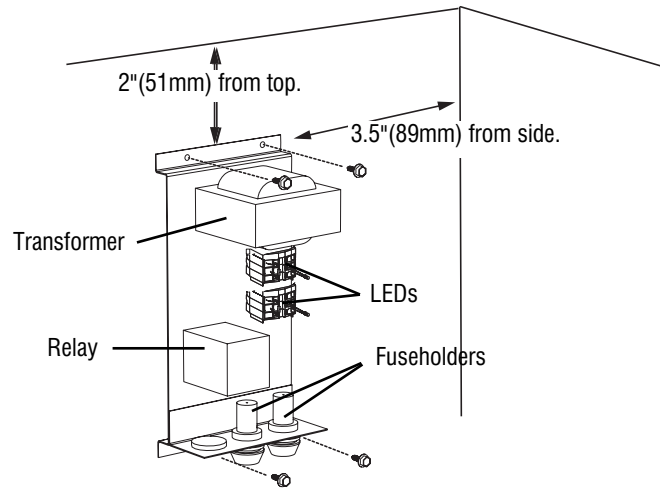


Fig. 4 Install control hat section.

INSTALLING MOUNTING BRACKETS (Fig. 5)

Mount three channel angle brackets to the coil drip shield. Space the brackets as specified across the length of the shield, starting 29 inches (737mm) from the edge and 2.5 inches (64mm) from the front. Mount using included self-drilling screws. Use driver extension for easier access to screws.

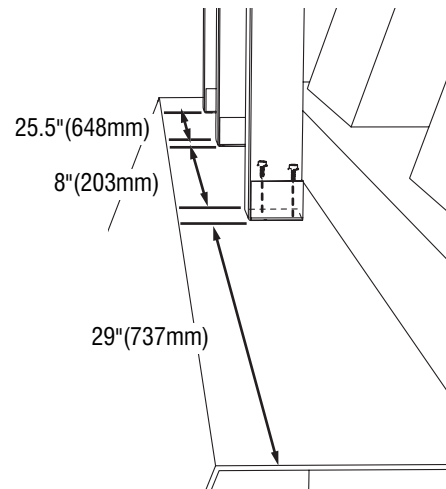


Fig. 5 Install mounting brackets.

⚠ WARNING

Potential Risk of Fire.

Dust, lint and other debris may cause fire if allowed to come in contact with illuminated UVC lamp.

Remove any dust, lint or other debris from lamps and surrounding duct system.

⚠ CAUTION

Potential Risk of Degradation of Materials.

UVC light may damage plastics and rubber materials. May cause fabric discoloration.

Avoid UVC light exposure to plastic drain pans, wire insulation, flex duct or other plastic/rubber components.

Installation

INSTALLING MOUNTING CHANNEL (Fig. 6)

Position the mounting channel across the angled side of the mounting brackets and attach with included self-drilling screws.

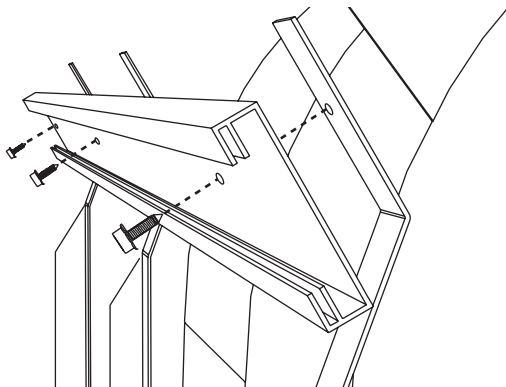


Fig. 6 Install mounting channel.

INSTALLING THE DEVICE (Fig. 8)

With the lamp installed, slide the device into the mounting channel as shown.

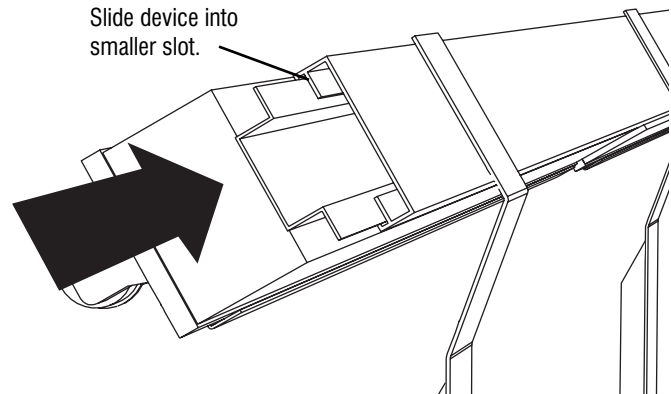


Fig. 8 Slide device into mounting channel.

INSTALLING LAMPS (Fig. 7)

To install the lamp, remove black plastic splash guards from device and place at both ends of the lamp. Then press lamp ends down onto connectors until each end clicks into place. **Note: Use cotton cloth to remove dirt and fingerprints from lamps.**

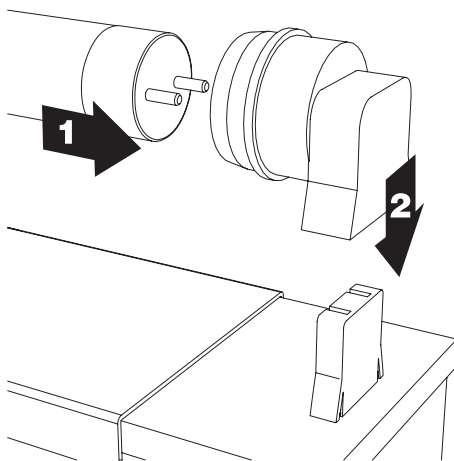


Fig. 7 Install plastic splash guards and snap each end of the lamp into place.

⚠ DANGER

Ultraviolet (UVC) Radiation Hazard.

Any exposure will cause significant eye damage and may cause skin damage.

Do not look into UV light source. Wear UV eye and skin protection. Access panels must be in place during appliance operation. Disconnect power to UVC appliance before general servicing of rooftop equipment.

⚠ CAUTION

Lamp(s) Contain Mercury.

Ingestion or contact with mercury or mercury vapor is hazardous to your health.

Take care when handling lamps. If lamp is broken, avoid contact with mercury.

⚠ NOTICE

Clean lamps prior to installation using a cotton cloth to remove dirt and fingerprints.

Failure to clean lamp(s) could shorten the lamp(s) lifespan.

⚠ CAUTION

Sharp Edges Hazard.

Equipment sharp edges can cause injuries.

Use protective gloves when grasping equipment edges.

INSTALL SHIELD

A UV shield is installed in the coil/blower compartment.

1. Replace coil access panel.
2. Mount shield to frame with included sheet metal screws. (Fig. 9)

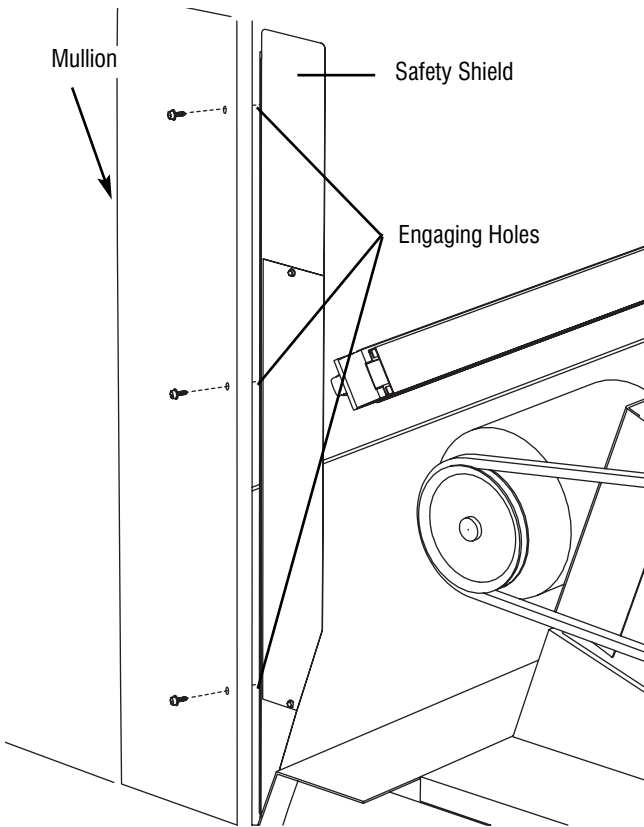


Fig. 9 Mount safety shield in blower compartment.

INSTALL SAFETY INTERLOCKS

Mount the blower access interlock switch so that power to the device is automatically disconnected anytime the coil or blower access door is opened.

1. Using included screws, mount the safety interlock switch to the coil drip shield. (Fig.10)
2. Mount the remote safety interlock actuator to the access door using the included self drilling screws. (Fig. 11)

Note: Actuators should be positioned directly across from the interlock switches when the panels are closed.

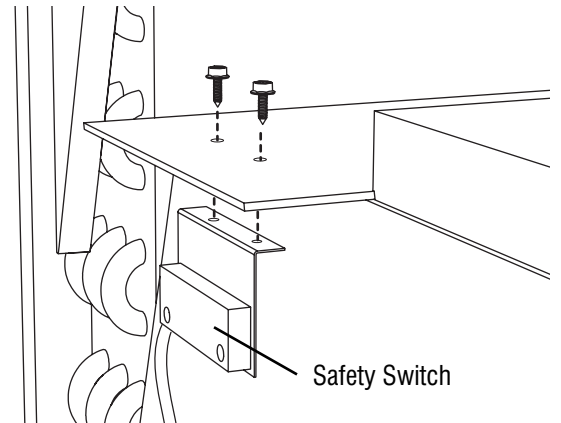


Fig. 10 Mount safety interlock switch.

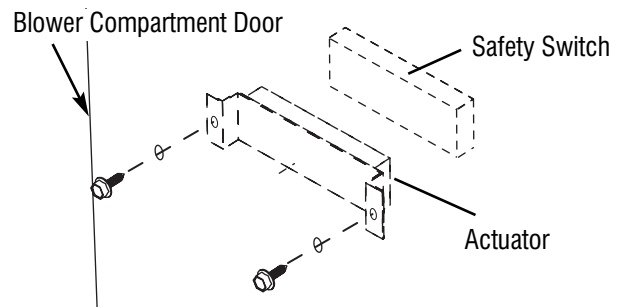


Fig. 11 Mount safety interlock actuator to access door.

⚠ WARNING

Electrical Safety Hazard.

Can cause injury or death.

Do not alter power cord. Any alteration is a violation of ETL and UL listing and will void the Lennox warranty.

Installation

CONNECT HARNESS

Use holecutter to drill a 1.5"(38mm) hole about 1"(25mm) from the lower left corner of electrical compartment wall. Insert included grommet into hole to protect harness.(Fig. 12)

Route harness between the blower compartment and electrical compartment. Use included wire ties to secure harness to existing wiring. (Fig. 13)

Connect white wire to L1 of compressor contactor. Connect red wire to L2 of compressor contactor. Connect purple wire and gray wire to TB34 low voltage terminal. (Fig. 14)(Refer to wiring diagram included separately.)

Connect UVC device to harness.

Connect safety interlock switch.

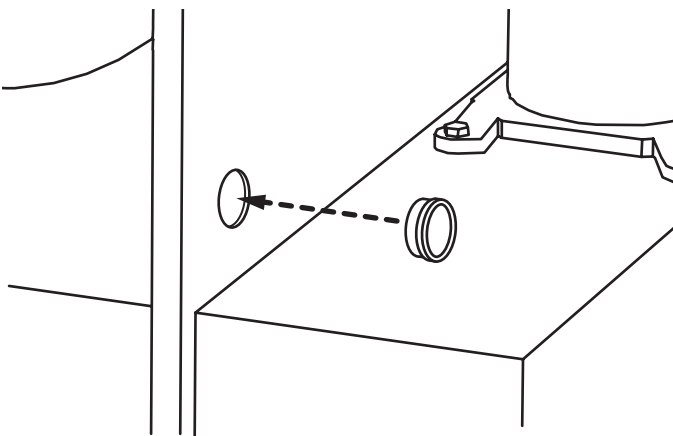


Fig. 12 Drill hole and insert grommet.

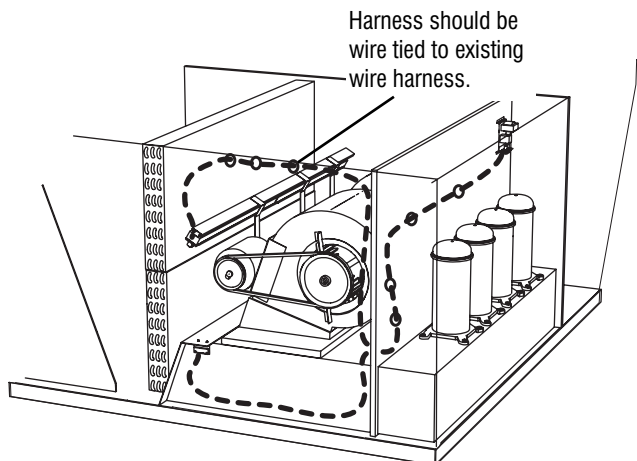


Fig. 13 Connect harness.

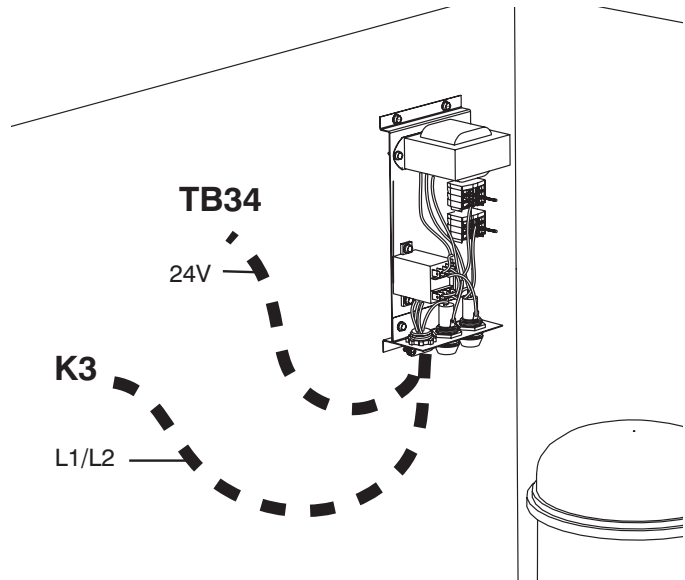


Fig. 14 Connect to TB34 and K3 terminals.

FINISH INSTALLATION

Apply wiring diagram and LED Notice label inside compressor compartment. (See Fig. 15.) Surface must be clean prior to applying label.

Close all access panels/doors and connect power.

Apply UVC Danger and Electric Shock Hazard labels to blower access panels so they are clearly visible. (See Fig. 15.) Surface must be clean prior to applying label.

⚠ DANGER	⚠ DANGER	NOTICE
<p>Ultraviolet (UV) Radiation Hazard. Any exposure will cause significant eye damage, possibly cause skin damage.</p> <p>Do not look into UV light source. Wear UV eye protection. Do not allow anyone else to look into the light source. Do not touch the UV light source. Do not touch the UV light source. Do not touch the UV light source.</p>	<p>Radiation (UV) Hazard (UV). Exposure to UV light may cause skin damage and eye damage.</p> <p>Do not look into UV light source. Wear UV eye protection. Do not allow anyone else to look into the light source. Do not touch the UV light source. Do not touch the UV light source.</p>	<p>The hazard is designed for use with power. If the user does not follow the instructions, the user may be exposed to a hazard that is not covered by this label.</p> <p>The hazard is designed for use with power. If the user does not follow the instructions, the user may be exposed to a hazard that is not covered by this label.</p>

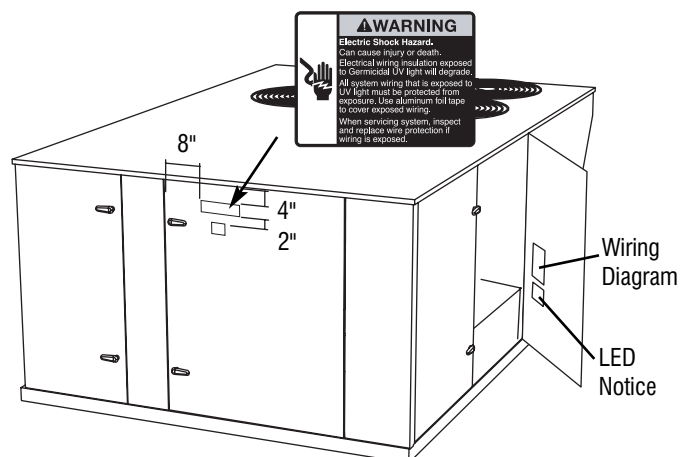


Fig. 15 Apply labels.

Maintenance

For all maintenance, contact a qualified HVAC technician.

IF THE LED DOES NOT ILLUMINATE

1. Check for proper power.
2. Check lamp for proper connection.
3. Check safety interlock switch.
3. Check fuses.

LAMP REPLACEMENT(Annually)

The lamp should be replaced annually even if it appears to be operating normally. UVC energy production diminishes over time.

1. Turn off power to the unit.
2. Open the coil access door.
3. Remove center piece of shield.
4. Disconnect device power and LED cords.
5. Slide device out of mounting bracket.
6. Pull up at each end of the lamp to disengage the lamp from the connectors.
7. Remove splash guards at each end of old lamp and place on new lamp. (See page 5.)
8. Place ends of new lamp over each connector and snap in place. Be sure to clean lamp of dust and fingerprints.
9. Slide device into mounting bracket.
10. Reconnect device power and LED cords.
11. Replace center piece of shield.
12. Close coil access door.
13. Turn on power to the unit.

DANGER

Ultraviolet (UVC) Radiation Hazard.

Any exposure will cause significant eye damage and may cause skin damage.

Do not look into UV light source. Wear UV eye and skin protection. Access panels must be in place during appliance operation. Disconnect power to UVC appliance before general servicing of rooftop equipment.

WARNING

Personal Burn Hazard.

Personal injury may result from hot lamps.

During replacement, allow lamp to cool for 10 minutes before removing lamp from fixture.

LAMP DISPOSAL

Hg-LAMP CONTAINS MERCURY.

Manage in accord with disposal laws.

Refer to www.lamprecycle.org or call 1-800-9-LENNOX.

PROPER CLEAN-UP TECHNIQUE IN CASE OF LAMP BREAKAGE

- Wear protective gloves, eyewear and mask.
- Sweep the broken glass and debris into a plastic bag, seal the bag, and dispose of properly. Contact your local waste management office for proper disposal.
- **Do not use a vacuum cleaner. Do not incinerate.**

Replacement Parts

Description	C1UVCL10C-1Y	C1UVCL10C-1G	C1UVCL10C-1J
UVC Lamp	X7623	X7623	X7623
Transformer	-	96M07	96M08
Relay	67K65	67K65	67K65
Ballast	X7625	X7625	X7625
Safety Switch	64X53	64X53	64X53

Contact your local Lennox dealer to order replacement parts. For the Lennox dealer nearest you, dial 1-800-9-Lennox. Visit us at <http://www.Lennox.com>

WARNING



Electric shock hazard.

Can cause injury or death.

Disconnect all remote electrical power supplies before servicing.

Access panels must be in place during the appliance operation.

WARNING

Potential Risk of Fire.

Dust, lint and other debris may cause fire if allowed to come in contact with illuminated UVC lamp.

Remove any dust, lint or other debris from lamps and surrounding duct system.

CAUTION

Lamp(s) Contain Mercury.

Ingestion or contact with mercury or mercury vapor is hazardous to your health.

Take care when handling lamps. If lamp is broken, avoid contact with mercury.