

INSTALLATION INSTRUCTIONS FOR S7CURB10101 (30W03) ROOF MOUNTING FRAME USED ON SC/SG/SW/SR 036-060 DOWNFLOW UNITS

Frame Parts Identification

See figure 1 for parts identification.

Application

The S7CURB10101 is 14" in height.

The mounting frames can be installed directly on deck having adequate structural strength or on roof supports under deck. See figure 2 for frame dimensions and location of supply and return air plenums. See figure 3 for service clearance dimensions.

NOTE-Frame assembly must be installed level within 1/16" per linear foot in any direction.

Exception:

1/16" per linear foot to 3/8" per linear foot roof pitch (5mm per linear meter to 30mm per linear meter)—Roof curb can be installed level to the roof pitch only if the unit outdoor air intake is oriented toward the higher side of the roof pitch.

Frame Assembly

The assembled frame is illustrated in figure 4.

- 1- Secure the front, back, and two end pieces together at corners using sheet metal screws provided.
- 2- Fasten center support to frame with sheet metal screws. Repeat for two remaining center supports.
- 3- Secure two supply and two return air cross supports using sheet metal screws.

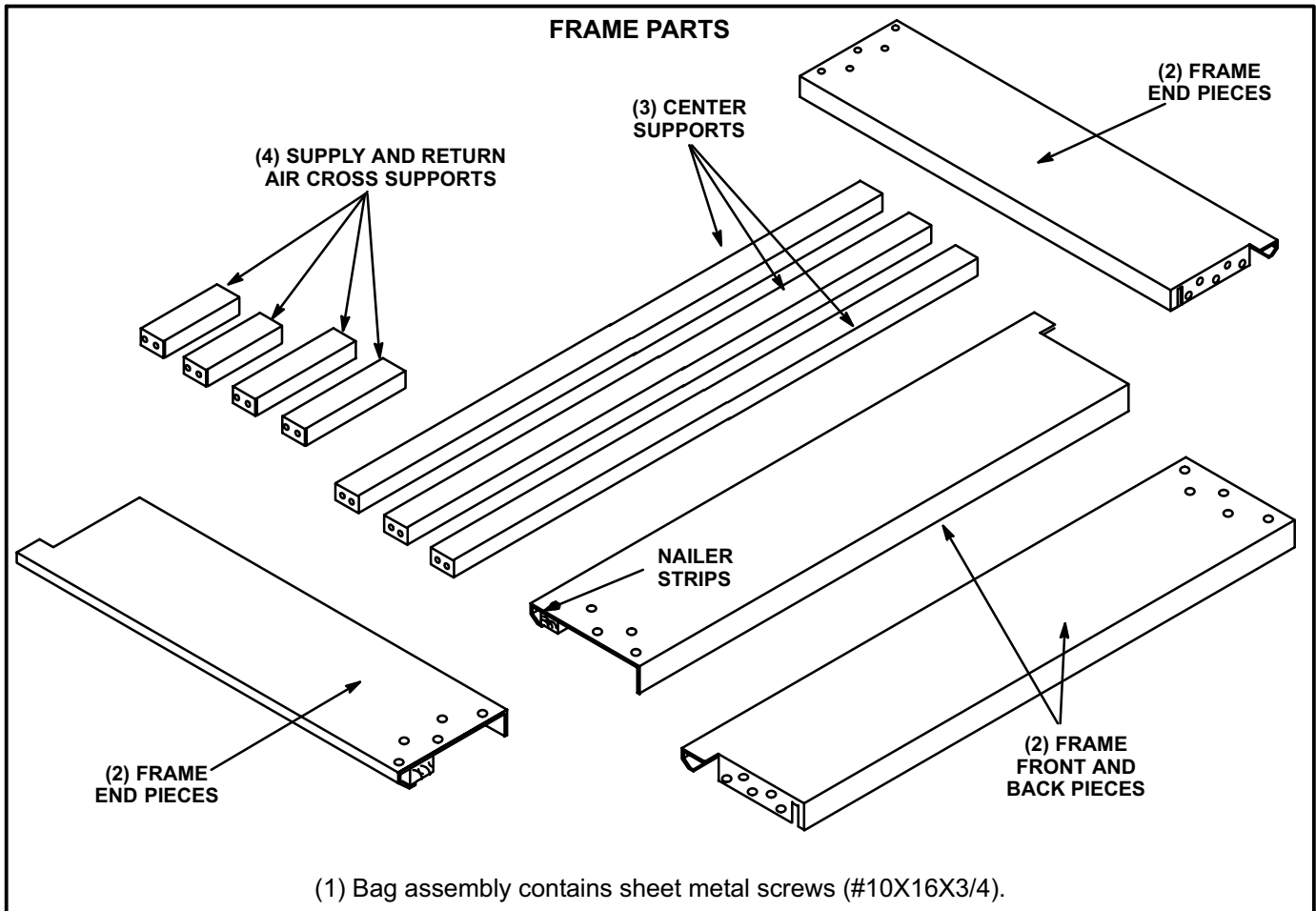


FIGURE 1

1 Unit Clearance	A		B		C		D		Top Clearance
	in.	mm	in.	mm	in.	mm	in.	mm	
Service Clearance	48	1219	36	914	60	1524	60	1524	Unobstructed
Clearance to Combustibles (SG)	36	914	1	25	1	25	1	25	
Minimum Operation Clearance	36	914	36	914	36	914	36	914	

NOTE - Entire perimeter of unit base requires support when elevated above the mounting surface. 1-Service Clearance - Required for removal of serviceable parts. Clearance to Combustibles - Required clearance to combustible material. Minimum Operation Clearance - Required clearance for proper unit operation.

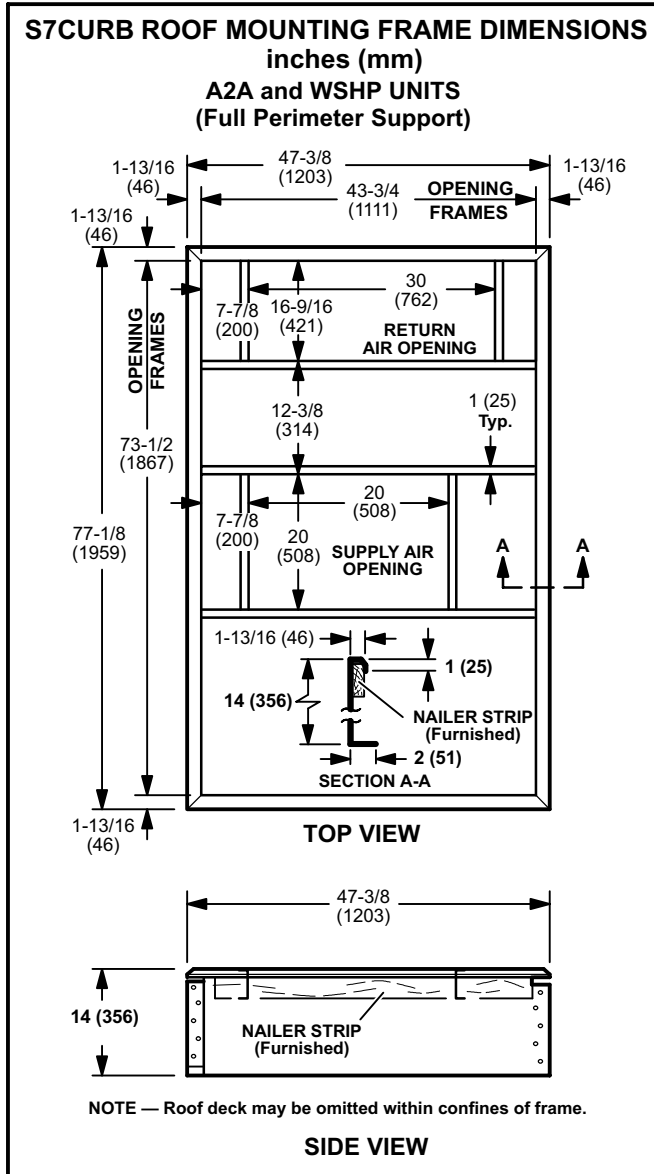


FIGURE 2

Securing Frame

To assure proper mating with units, it is mandatory the mounting frame be squared to roof structure as follows:

- 1- With frame situated level in desired location on roof trusses, tack weld (1) corner of frame.
- 2- Measure frame diagonally from corner to corner as shown in figure 5. These dimensions must be equal for frame to be square.

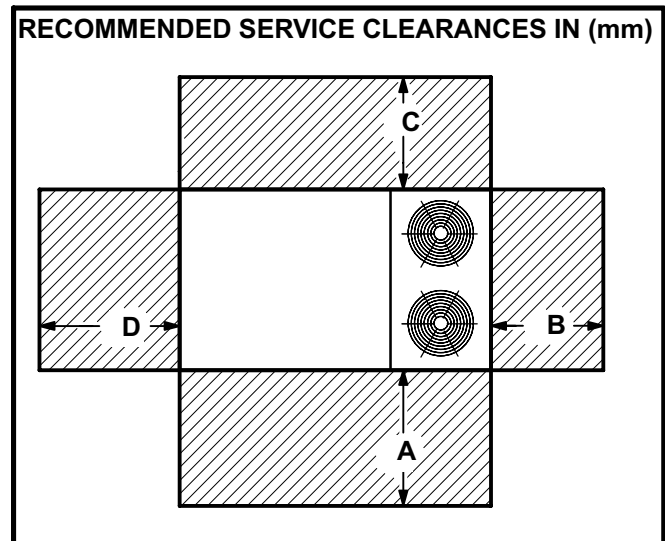


FIGURE 3

- 3- It is extremely important to sight frame from all corners to make certain frame is not twisted across top side. Shim frame under any low sides. Maximum slope tolerance is 1/16" per linear foot in any direction.

Exception:

1/16" per linear foot to 3/8" per linear foot roof pitch (5mm per linear meter to 30mm per linear meter)—Roof curb can be installed level to the roof pitch only if the unit outdoor air intake is oriented toward the higher side of the roof pitch.

- 4- After frame has been squared, straightened and shimmed, weld or attach frame securely to roof deck.

NOTE - Securely fasten roof frame to roof per local codes.

Curbing and Flashing

- 1- Outside of frame should be insulated with rigid type insulation, preferably 2" (51 mm) thick. Do not use combustible material for filling around frame.
- 2- Counter-flash and seal around frame as shown in figure 6.

IMPORTANT-If a poured roof is used, such as concrete, be sure inside of mounting frame is adequately braced to ensure a square and level frame.

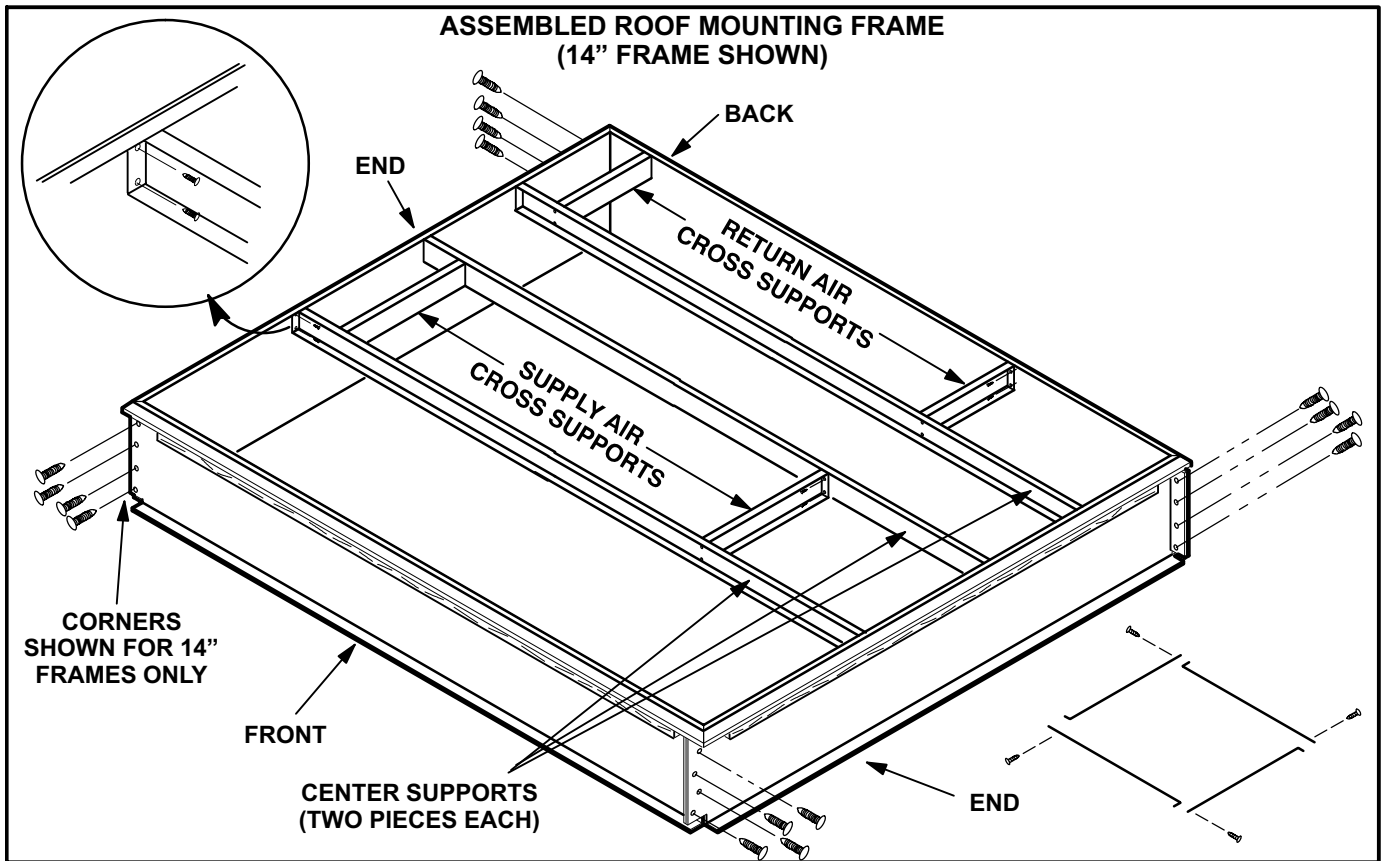


FIGURE 4

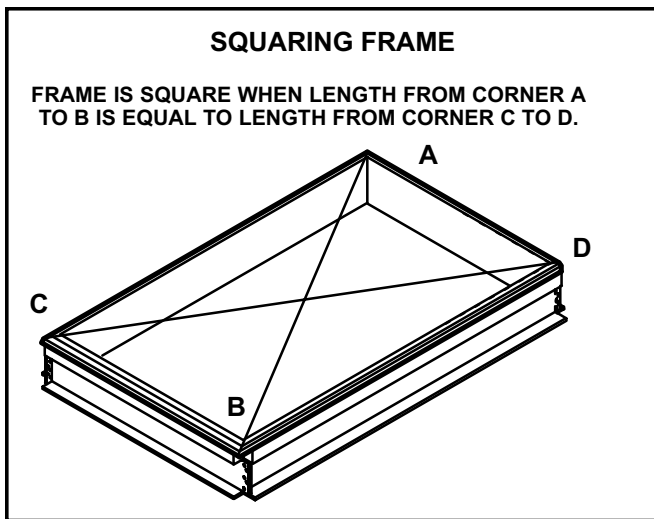


FIGURE 5

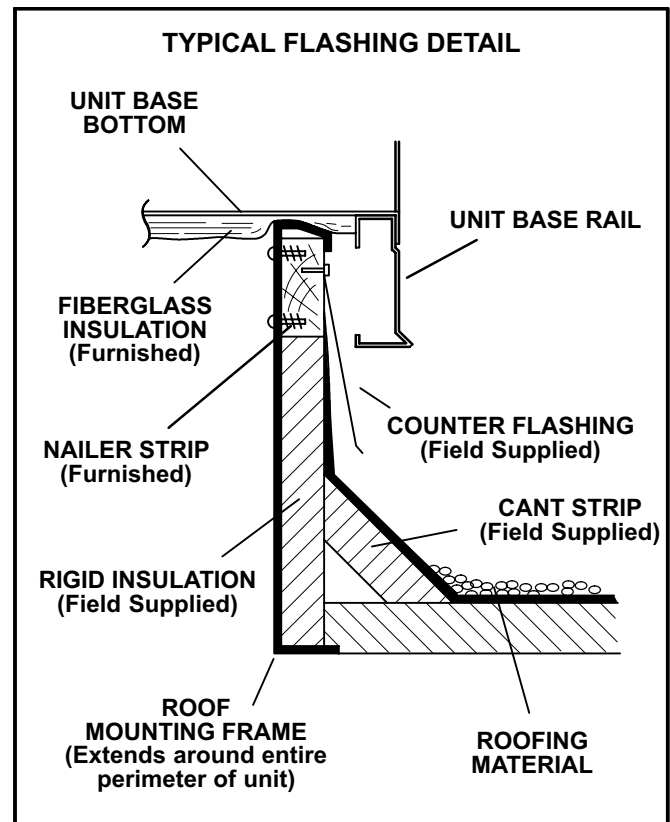


FIGURE 6

Miscellaneous

- 1- Where pipes and electrical conduit extend through roof, flashing must conform to National Roofing Contractors Association (NRCA) Standards.
- 2- Roof walkways should be provided around equipment to facilitate servicing.

Supply and Return Plenum

IMPORTANT-Plenum system must be installed before unit is set on mounting frame.

Plenums must be constructed of galvanized steel with

coated fiberglass insulation applied to the inside. It is recommended that 1/2" (13 mm) thick, 3 lb./ft³ (48 kg/m³) density fiberglass insulation be used.

However, if 1-1/2 lb./ft³ (24 kg/m³) density insulation is used, it should be secured with mechanical fasteners. Install plenums as shown in figure 7.

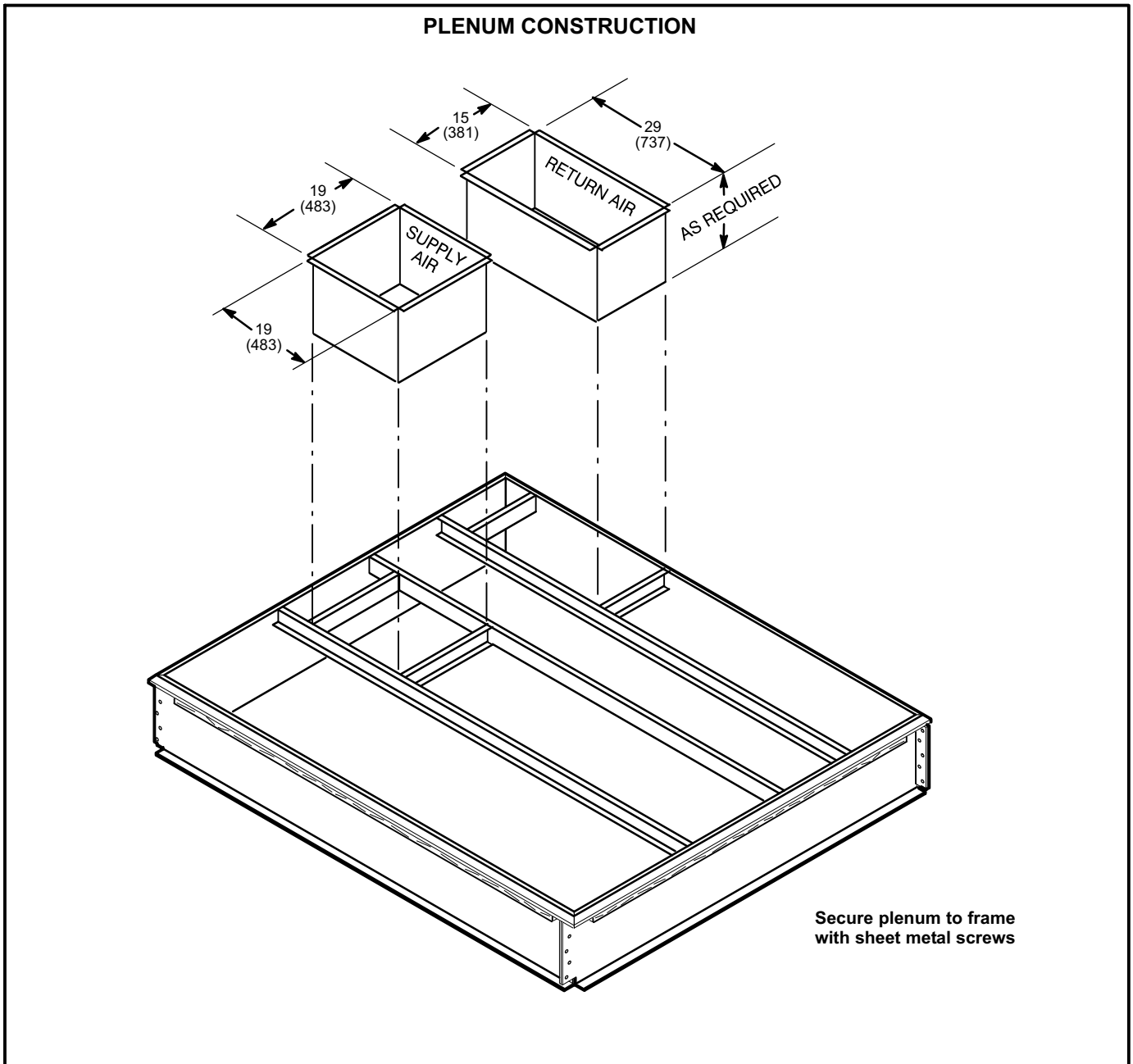


FIGURE 7