



506039-01  
02/12  
Supersedes 01/12

**IN-UNIT PCO20-28 PUREAIR™ AIR  
PURIFICATION INSTALLATION KIT**

**INSTRUCTIONS FOR INSTALLING THE PCO20-28 PUREAIR™ AIR PURIFICATION SYSTEM  
INTERNAL TO THE 15GCSX, 15CHAX, 15CHPX PACKAGED UNITS**

**⚠ WARNING**



**Electric shock hazard.  
Can cause injury or death.  
Disconnect all remote power supplies  
before opening any unit panels.  
Do not operate without cover in place.  
Unit may have multiple power supplies.**

**⚠ WARNING**

**Risk of property damage, injury, or death.  
Installation, adjustments, alterations, service and  
maintenance must be performed by a licensed pro-  
fessional service technician (or equivalent).**

**⚠ CAUTION**

**Sharp edges hazard.  
Equipment sharp edges can cause injuries.  
Use protective gloves when grasping equipment  
edges.**

**Product Description**

This kit contains parts required to install the PCO20-28 PureAir™ Air Purification unit inside all models of the 15GCSX, 15CHAX, and 15CHPX Packaged Units.

**Shipping & Packing List**

PCO20-28 Mounting Kit contains:

- Back-securing plate
- (4) #10 x 5/8" self-drilling screws
- Left hinge part
- Right hinge part
- (2) #8 x 1/2" Blunt-nose sheet metal screws
- (2) 2" wide x 11" long aluminum tape strips
- Jumper plug
- (2) UVA Lamp locking clip
- Lamp locking clip label
- Installation instruction manual (this document)

**Replacement Parts**

Catalog number	Quantity	Description
40W02	2	Lamp Locking Clip
40W03	1	Jumper Plug



# Installation

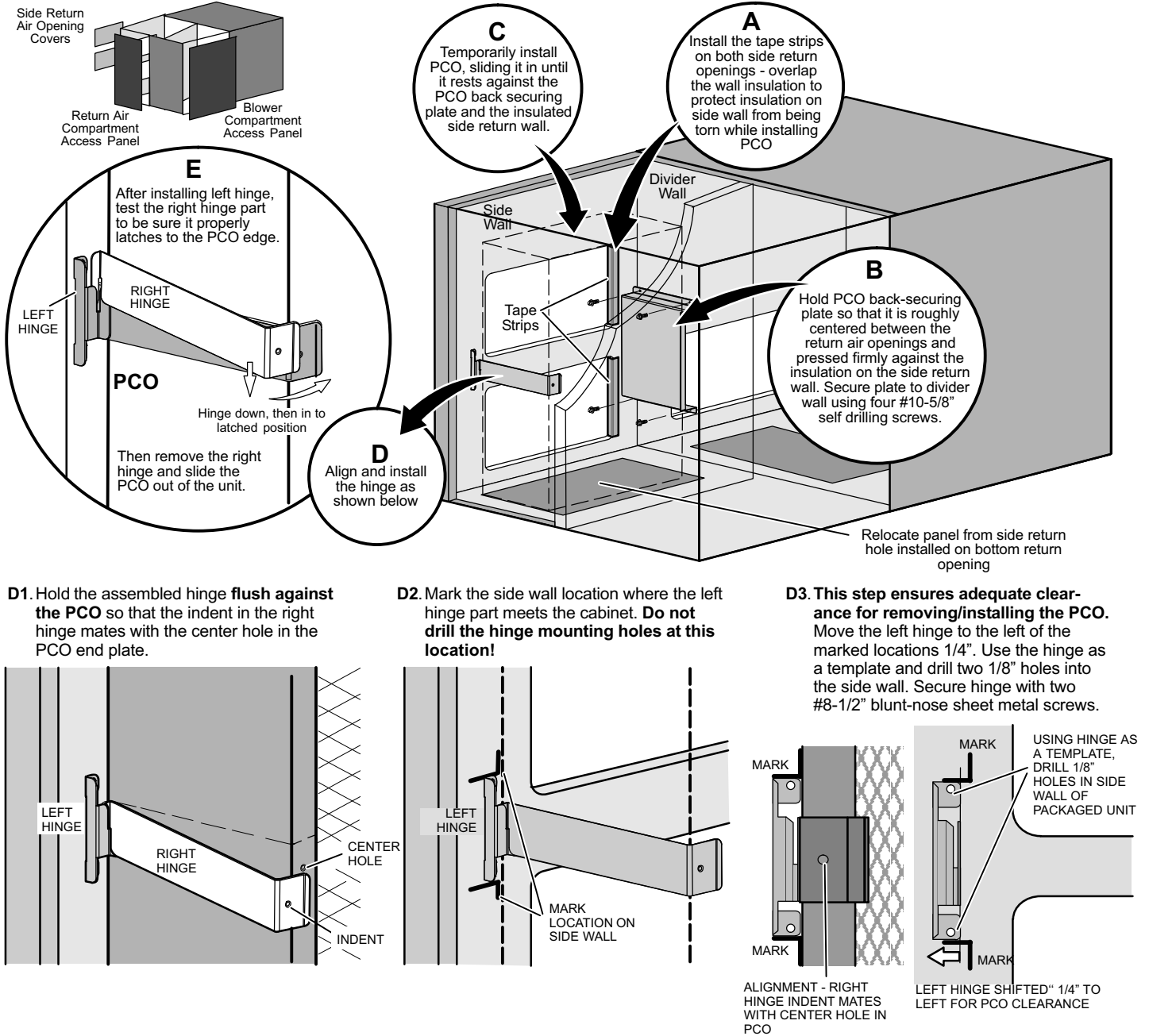
## Preparing the packaged unit for PCO cabinet installation...

1. Disconnect all electric power to the packaged unit.
2. Remove return air and blower compartments' access panels; remove the side return air opening covers.

3. If the bottom return opening had not previously been covered, install the top side return air opening cover on the bottom return air opening.

*NOTE: Both side return air openings must be open to install the PCO in this manner.*

4. Install the foil tape strips, back-securing plate, and hinges as shown in figure 1 in the order indicated (A through E).



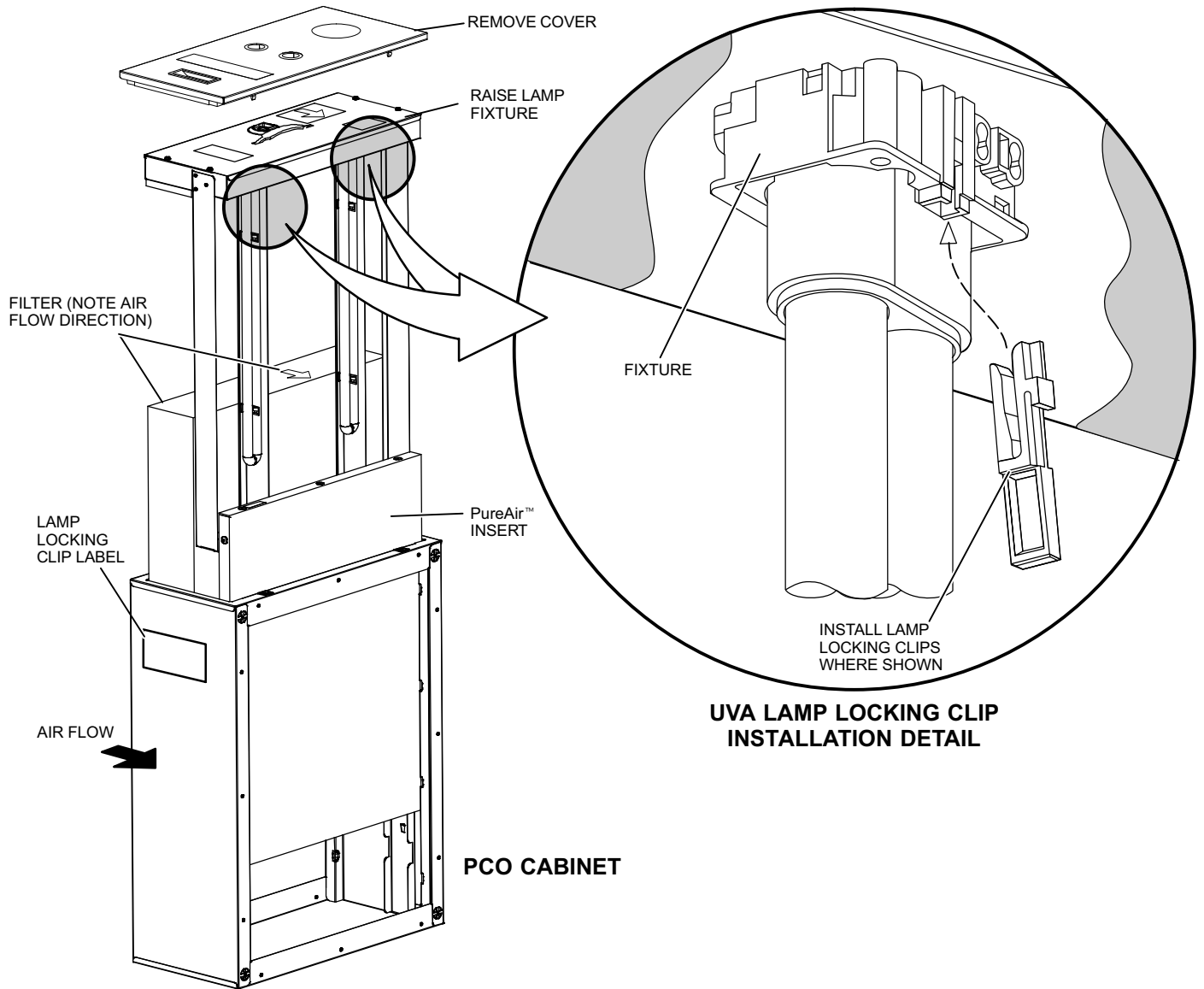
**Figure 1. Preparing the Packaged Unit for PCO Installation**

**Preparing the PCO cabinet for installation...**

- 5. With the PCO cabinet removed from the packaged unit, remove the cover from the PCO. Prepare the PCO for use as described in the PCO installation instructions.
- 6. Install the UVA lamp locking clips provided with this kit

on each lamp fixture as shown in figure 2.

- 7. Install the lamp locking clip label on the side of the PCO cabinet as shown in figure 2.
- 8. Reassemble the PCO, being sure to note the proper airflow direction as shown in figure 2.



**Figure 2. Installing the UVA Lamp Locking Clips and the Lamp Locking Clip Label**

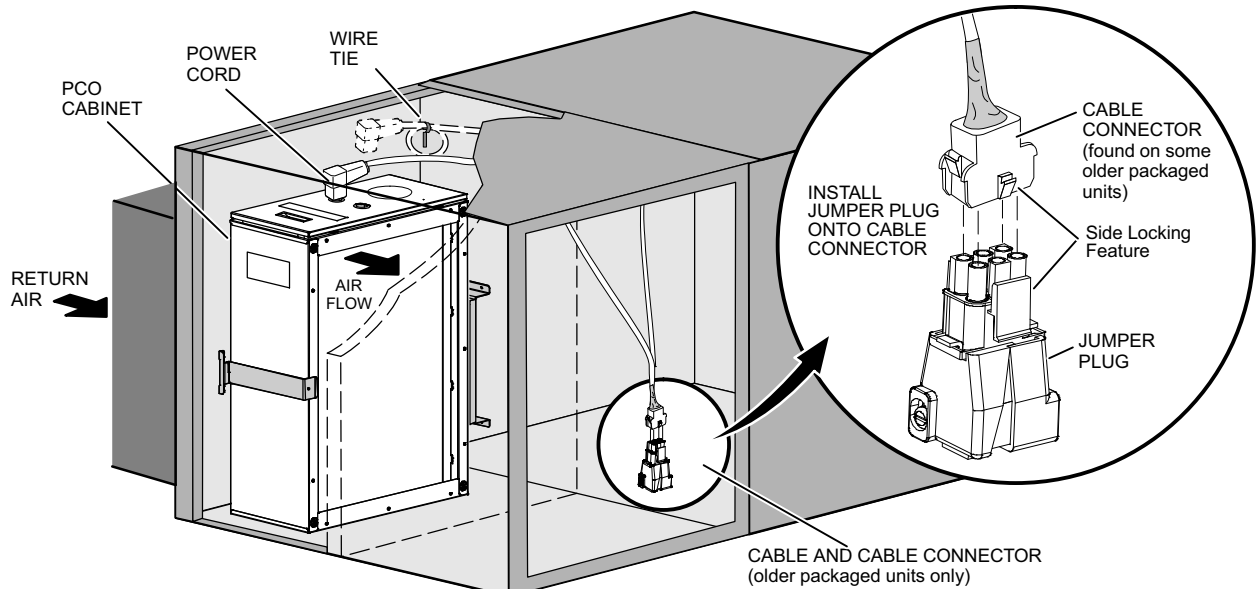
### Installing the PCO cabinet in the packaged unit...

9. Cut the wire tie (see figure 3) that holds the coiled power cord to the top of the packaged unit, being careful not to cut into the power cord's insulation. Extend the power cord out as far as possible and remove the plastic moisture cover from the plug.
10. Slide the PCO cabinet into the unit's return air compartment far enough that the power cord will plug into the receptacle on top of the PCO (see figure 3). Be sure the plug is properly seated in the receptacle.
11. Slide the PCO cabinet completely into the return air compartment and re-install the right hinge as shown in figure 1 (detail E, Page 2).
12. **THIS STEP MAY APPLY TO OLDER PACKAGED UNITS**—If there is a cable and cable connector in the blower compartment (as shown in figure 3), remove

the moisture seal from the cable connector and discard. Install the jumper plug onto the cable connector as shown in figure 3. Be sure the side locking features engage.

13. **Install the blower compartment cover before turning on main power!**
14. Install the return air ductwork to the packaged unit and seal appropriately. Be sure supply air ductwork is also installed and appropriately sealed.
15. Restore the main power. Visually check to confirm that the PCO lamps illuminate the return air compartment. After confirming that the lamps illuminate, **turn off the main power!**
16. Install the return air compartment cover .
17. Turn ON the main power.

This completes the installation procedure.



**Figure 3. Installing Power Cord and, on older units, Jumper Plug onto Cable Connector**