



506086-01  
03/08

## DOOR LATCH REPLACEMENT KIT

### INSTALLATION INSTRUCTION FOR DOOR LATCH REPLACEMENT KIT (Y1282) USED WITH HEALTHY CLIMATE® MEDIA AIR CLEANER HCC16-28 AND HCC20-28

**RETAIN THESE INSTRUCTIONS  
FOR FUTURE REFERENCE**

#### Shipping and Packing List

Package 1 of 1 contains the following:

4 — HCC door frame latches

*NOTE - The cabinet door strikes do not need to be replaced and are not included in this kit.*

Check equipment for shipping damage. If you find any damage, immediately contact the last carrier.

#### Application

This latch replacement kit is used to replace the factory installed latches. The kit catalog number for the affected models is as follows:

Model Number	Applicable Serial Number Prefix	Catalog Number
HCC16-28	S93XXXXXXXX*	Y1282
HCC20-28		

\* All units with serial numbers starting with S93 require the door latch replacement kit.

#### Installation

**1**

LOCATE AND REMOVE THE CABINET DOOR FRAME FROM THE SHIPPING CONTAINER.

NOTE - THE CABINET DOOR STRIKES DO NOT NEED TO BE REPLACED.

**! CAUTION**

Physical contact with metal edges and corners while applying excessive force or rapid motion can result in personal injury. Be aware of, and use caution when working near these areas during installation or while servicing this equipment.

**! WARNING**

Improper installation, adjustment, alteration, service or maintenance can cause personal injury, loss of life, or damage to property.

Installation and service must be performed by a licensed professional installer (or equivalent) or a service agency.

**! CAUTION**

Potential Eye Hazard.

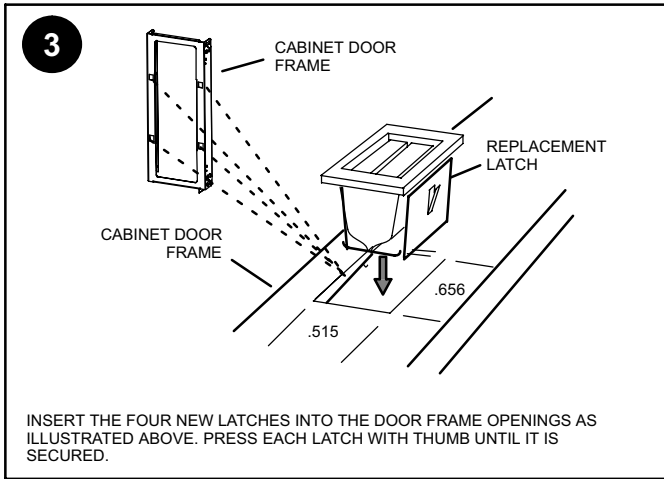
Removing existing latches may cause broken parts to fly apart or become airborne.

Use eye protection when removing existing latches.

**2**

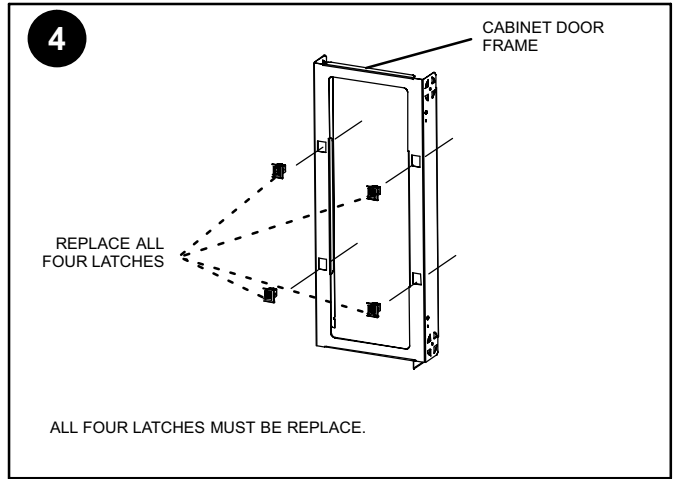
INSERT FLAT-HEAD SCREWDRIVER INTO CABINET DOOR FRAME LATCH AS ILLUSTRATED. STRIKE THE TOP OF THE SCREWDRIVER HANDLE WITH THE PALM OF THE HAND. THIS WILL RESULT IN THE LATCH BREAKING THROUGH THE OPENING. REPEAT PROCEDURE UNTIL ALL REMAINING LATCHES HAVE BEEN REMOVED.





**NOTICE**

Loose or broken pieces may migrate into moving parts of air handling equipment and cause damage. Broken parts must be removed from inside of the cabinet.



**! IMPORTANT**

After the unit has been assembled and installed, check to ensure a good seal is made. Failure to do so could lead to a negative pressure being created in and around the appliance or other appliances near the door.