

**INSTALLATION INSTRUCTIONS FOR T2HW SERIES HOT WATER COILS TO BE USED WITH
TAA SERIES UNITS (44W20 AND 44W21)**

**RETAIN THESE INSTRUCTIONS FOR
FUTURE REFERENCE**

⚠ WARNING

Improper installation, adjustment, alteration, service or maintenance can cause personal injury, loss of life, or damage to property.

Installation and service must be performed by a licensed professional installer (or equivalent) or a service agency.

⚠ CAUTION

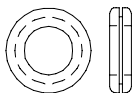
Physical contact with metal edges and corners while applying excessive force or rapid motion can result in personal injury. Be aware of, and use caution when working near these areas during installation or while servicing this equipment.

Shipping and Packing List

Check parts for shipping damage; if any damage is found, immediately contact the last shipping carrier.

Package 1 of 1 contains the following:

- 1 — Assembled hot water coil unit
- 1 — Installation Instruction

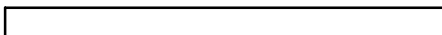


2 — Grommets

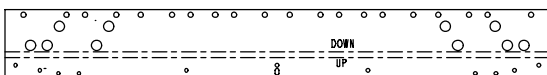


12 — #10-16 x 5/8" sheet metal screws

PVC foam striping (1/2" x 3/4" x 130")



2 — Mounting brackets



General

These instructions are intended as a general guide and do not supersede local codes in any way. Consult authorities who have jurisdiction before installation.

Application

NOTE - All valves and secondary pumps must be provided by the installer.

T2HW series coils are used as primary heaters for TAA series units. T2HW coils can be installed in either horizontal or upflow applications with a specific TAA unit.

- T2HWCL10M - TAA072 through TAA150 units.
- T2HWCL10N - TAA180 through TAA240 units.

T2HW units are provided with knockouts for front plumbing exits and 1-3/8" supply and return sweat fittings for field piping connections.

Blower Speed Requirements

T2HW coil applications require specific blower air volumes. To determine the unit CFM, see TAA series installation instructions.

Hardware Installation

1. If the unit has been previously installed, remove the supply-air duct from the air handler.
2. Apply PVC foam striping around adjoining cabinet surfaces as illustrated in figure 1.
3. Align the T2HW cabinet, air handler unit and the two provided mounting brackets as illustrated in figures 2 through 4.
4. Secure the two cabinets together using the provided screws and mounting brackets.
5. Remove the piping access panel.
6. Remove the cap plugs from the hot water coil manifolds.
7. Install the provided grommets (2) into access panel after removing knockouts.
8. Run piping through access panel grommets and braze to manifolds.



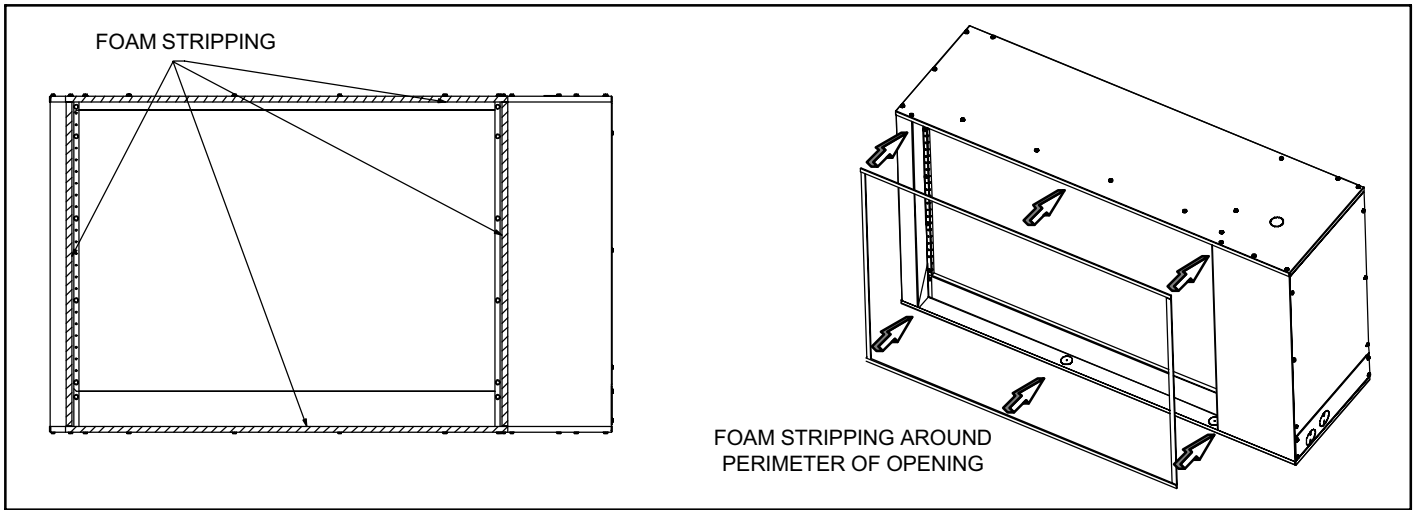


Figure 1. Foam Stripping Installation

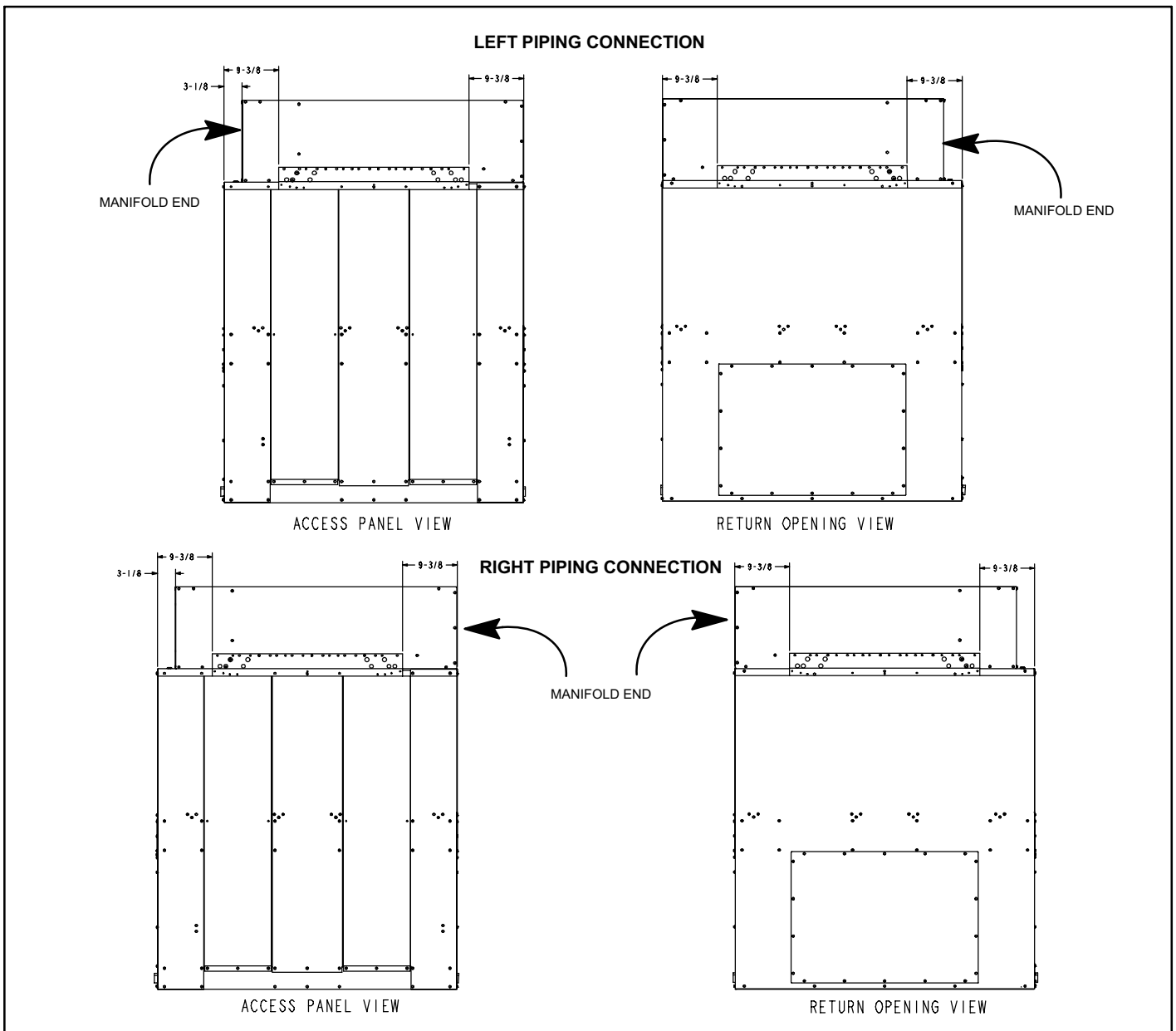
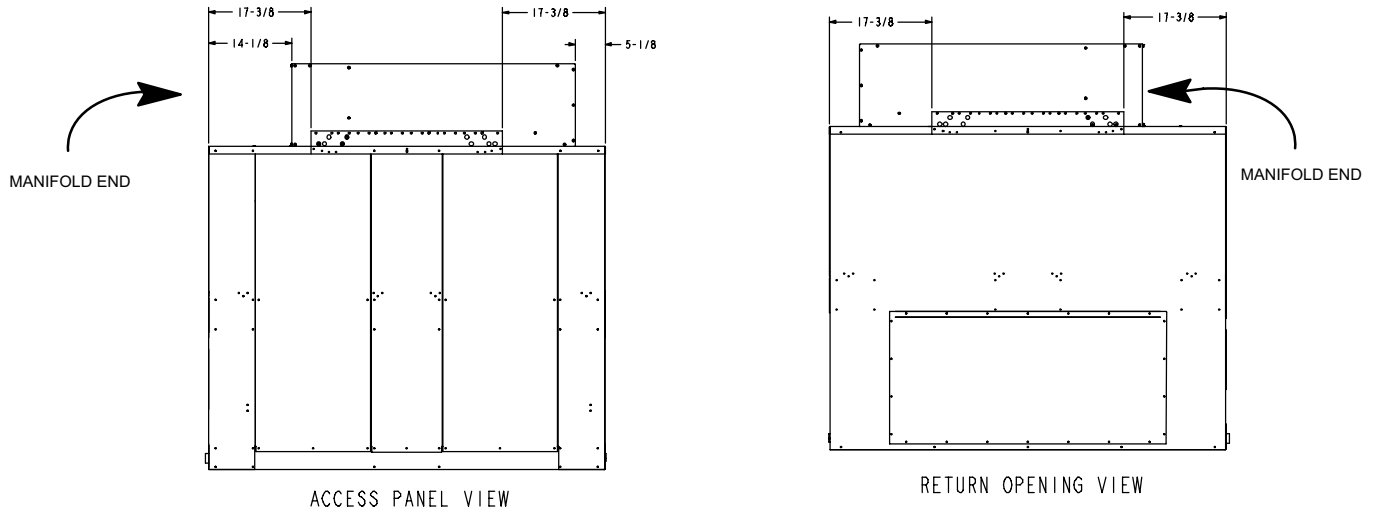


Figure 2. T2HW Cabinet Installation on TAA072/090 (Left and Right Piping Connections)

LEFT PIPING CONNECTION



RIGHT PIPING CONNECTION

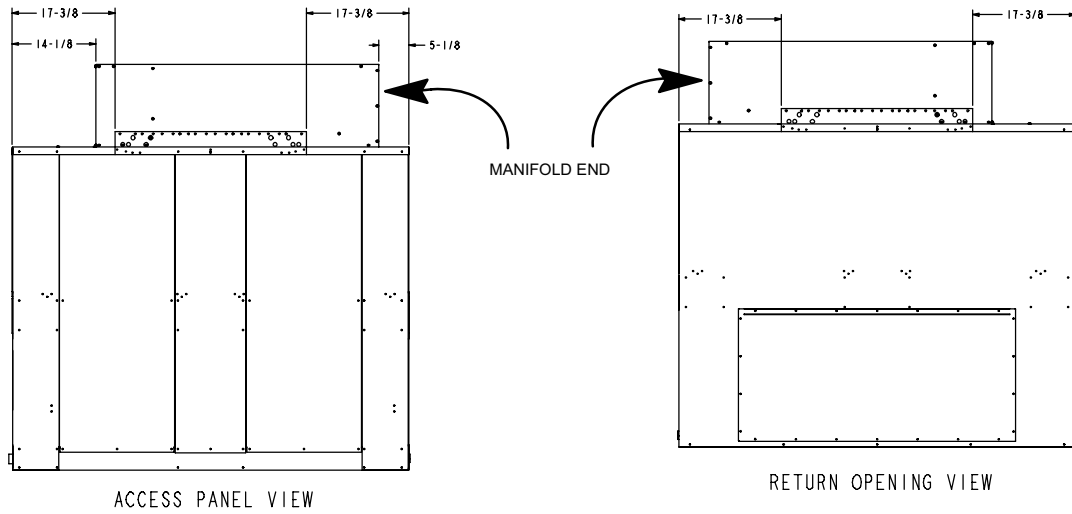
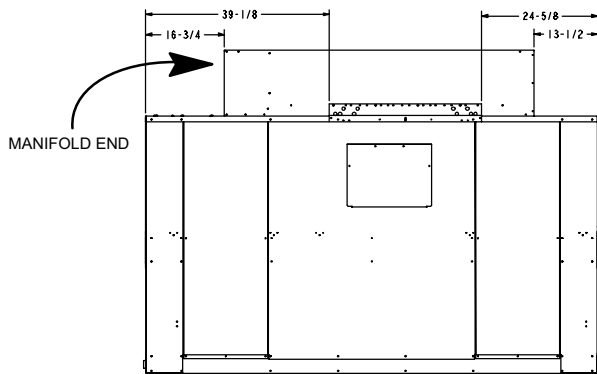
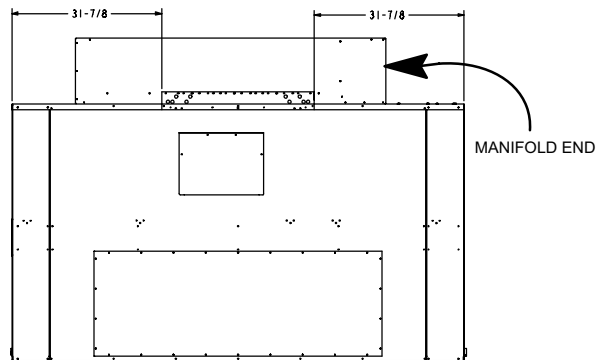


Figure 3. T2HW Cabinet Installation on TAA120/150 (Left and Right Piping Connections)

LEFT PIPING CONNECTION

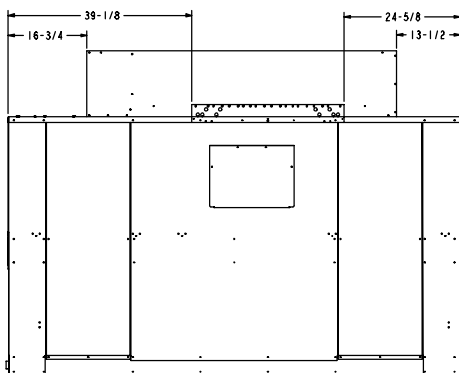


ACCESS PANEL VIEW

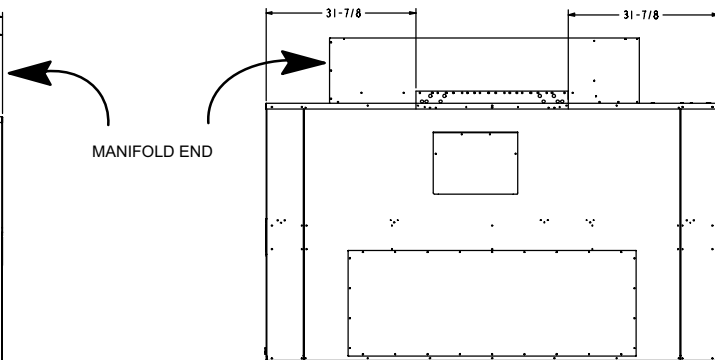


RETURN OPENING VIEW

RIGHT PIPING CONNECTION



ACCESS PANEL VIEW



RETURN OPENING VIEW

Figure 4. T2HW Cabinet Installation on TAA180/240 (Left and Right Piping Connections)