

GFI RECEPTACLE KIT**INSTALLATION INSTRUCTIONS FOR GFI KIT (LB-101063C & D; 74M70 & 67E01) USED ON PACKAGED LG/LC/KG/KC/KH SERIES UNITS AND COMMERCIAL SPLIT SYSTEMS ELS AND ELP****Shipping and Packing List**

Package 1 of 1 contains:

1 – GFI Receptacle J117

1 – Handy box

1 – L bracket

1 – Bag assembly containing:

4-1#10-32 x 1/2 TFS screws

⚠ WARNING

Improper installation, adjustment, alteration, service or maintenance can cause property damage, personal injury or loss of life. Installation and service must be performed by a licensed professional HVAC installer or equivalent, service agency, or the gas supplier.

⚠ CAUTION

As with any mechanical equipment, contact with sharp sheet metal edges can result in personal injury. Take care while handling this equipment and wear gloves and protective clothing.

⚠ WARNING

Electric Shock Hazard! – Disconnect all power supplies before servicing.

Replace all parts and panels before operating.

Failure to do so can result in death or electrical shock.

Application

The GFI Kit is used on LGM/LCM/LGH/LCH036-074, LG/LC 248-360, KG/KC/KH 024-300S, ELS 072-240 and ELP 090-120 units.

Installation

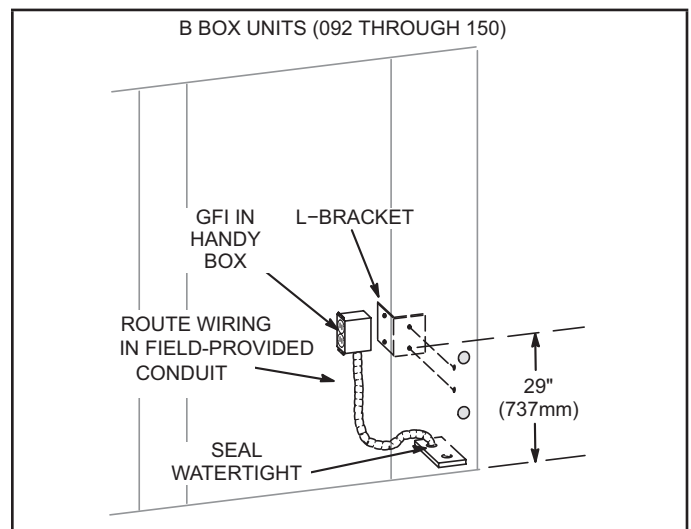
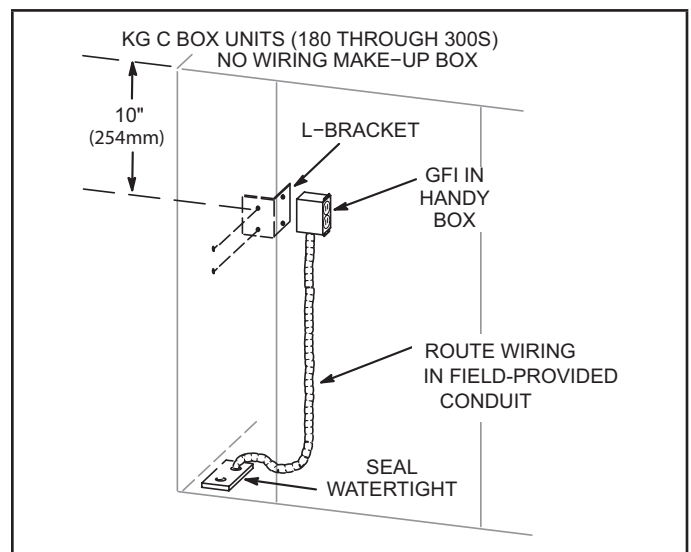
- 1 - Disconnect all power to the unit.
- 2 - Open or remove compressor access panel. For ELS and ELP units, remove the control box cover.
- 3 - *B and C Box Units – NO Wiring Make-Up Box* – Use L-bracket as a guide to mark and drill holes on mullion as shown in figures 1 and 2. Install L-bracket on inside of mullion. Secure bracket from outside of unit.
- 4 - **ELS072-240 and ELP090-120 units only:** Remove the control box cover mullion. Place the handy box on the power entry panel as shown in

figure 6. Drill holes and secure the handy box using #10 screws provided.

- 5 - **All other units:** Install handy box in the following locations: (See figure 3.)

- Figure 1 B Box units
- Figure 2 KG C Box units NO wiring make-up box
- Figure 4 A Box units
- Figure 5 C and D Box units with wiring make-up box

NOTE – Use #10 screws to secure handy box to unit. Make sure screws do not damage wiring.

**FIGURE 1****FIGURE 2**

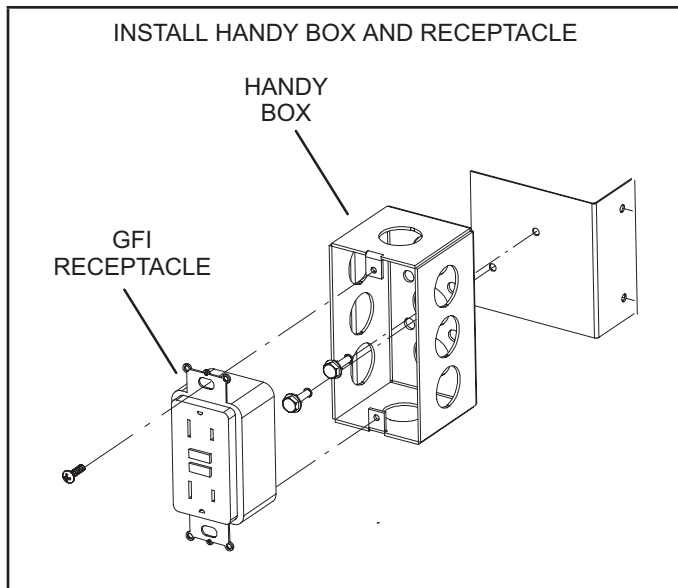


FIGURE 3

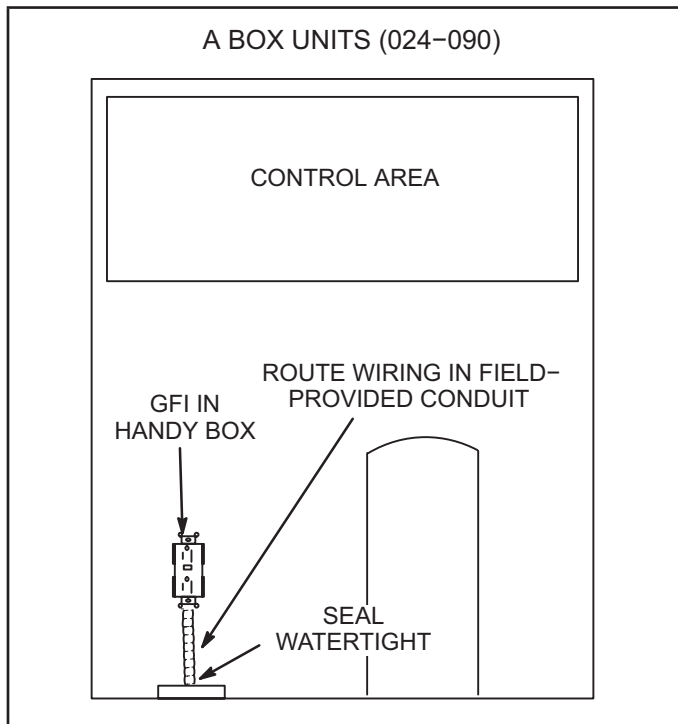


FIGURE 4

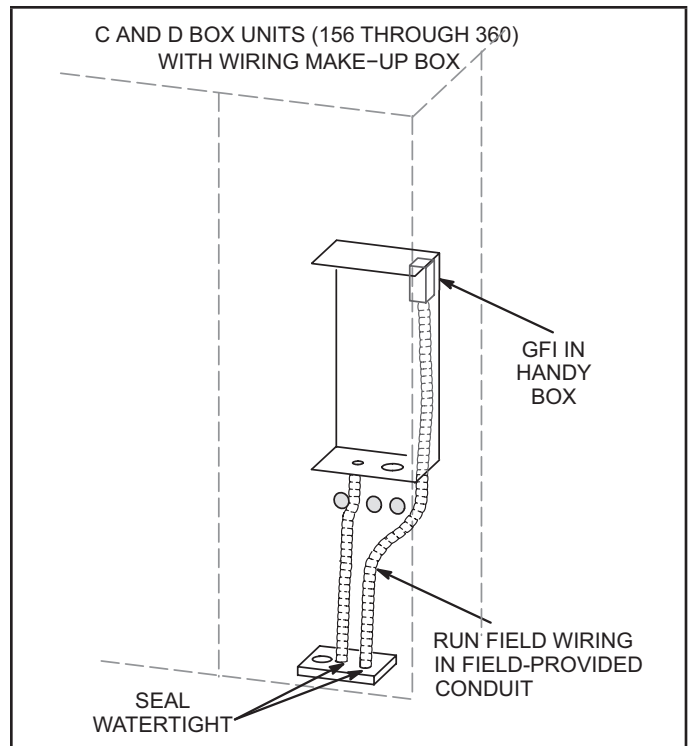


FIGURE 5

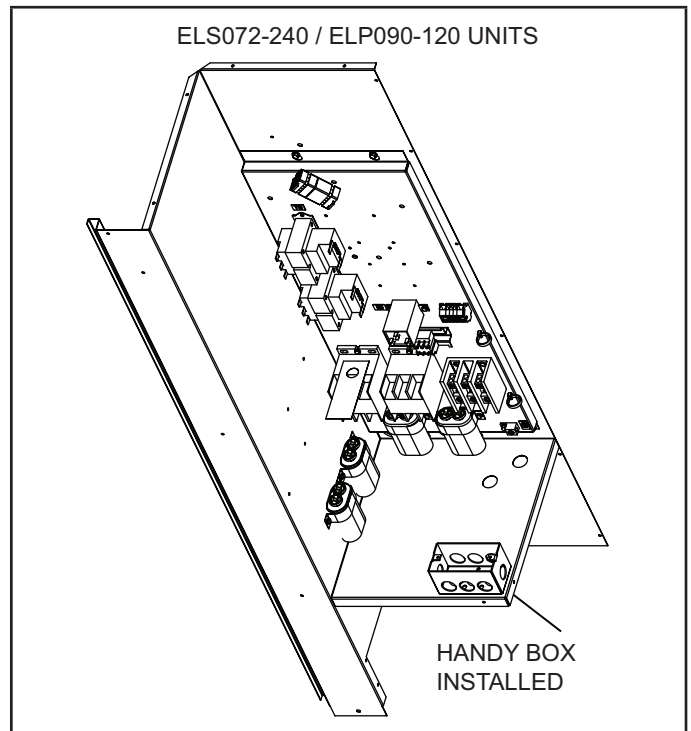


FIGURE 6

- 6 - Route field-provided wiring through conduit and appropriate knock-out in handy box. Connect wires to terminals on back of GFI receptacle according to wiring diagram on unit and local codes.
- 7 - Secure GFI receptacle to handy box with 2 screws provided with receptacle.
- 8 - Install GFI faceplate on receptacle; screws and faceplate are packaged with the receptacle.