

GAS UNITS KITS & ACCESSORIES

506584-01
06/2011
Supersedes 04/2011

DOWNFLOW FILTER CABINET KIT

INSTALLATION INSTRUCTIONS AND HOMEOWNERS MANUAL FOR DOWNFLOW FILTER CABINET MODELS DFC-A(51W06), DFC-B(51W07) AND DFC-C (51W08) USED ON DOWNFLOW FURNACES

⚠ WARNING

Improper installation, adjustment, alteration, service or maintenance can cause property damage, personal injury or loss of life. Installation and service must be performed by a licensed professional HVAC installer or equivalent, service agency, or the gas supplier

⚠ WARNING

Risk of equipment damage and/or high energy usage.
Dirty air filters will cause high energy usage and/or damage to the ventilation system. Replace filters at recommended intervals.

Shipping & Packing List

Package 1 of 1 contains:

- 2 - Side panels
- 1 - Door frame
- 1 - Rear panel
- 1 - Door
- 20 - #8 screws x 3/8" (includes 2 extra)
- 1 - Bottom filter rail 51W07 and 51W08
- 1 - 20" x 20" x 1" washable filter 51W06
- 2 - 20" x 61" x 1" washable filters 51W07 and 51W08
- 1 - Installation instruction

Application

Kits 51W06, 51W07 and 51W08 provide filter cabinet to be used in downflow applications.

Rules for Safe Installation

⚠ WARNING

Risk of Carbon Monoxide poisoning.
Can cause injury or death.
Do not operate without Filter Cabinet door in place. Operation of this equipment without Filter Cabinet door in place may cause exhaust fumes to be drawn into occupied spaces.

- 1 - Read this manual carefully. Failure to follow these instructions could cause a malfunction or unsatisfactory service.
- 2 - Clean the filter at regular intervals to ensure efficient operation.

Unpacking

⚠ CAUTION

As with any mechanical equipment, contact with sharp sheet metal edges can result in personal injury. Take care while handling this equipment and wear gloves and protective clothing.

Remove all protective material from the cabinet. Discard all packing material properly. See figure 1 for DFC-A and figure 2 for DFC-B and DFC-C parts identification.

Assembly

Assembly of DFC-A Figure 1

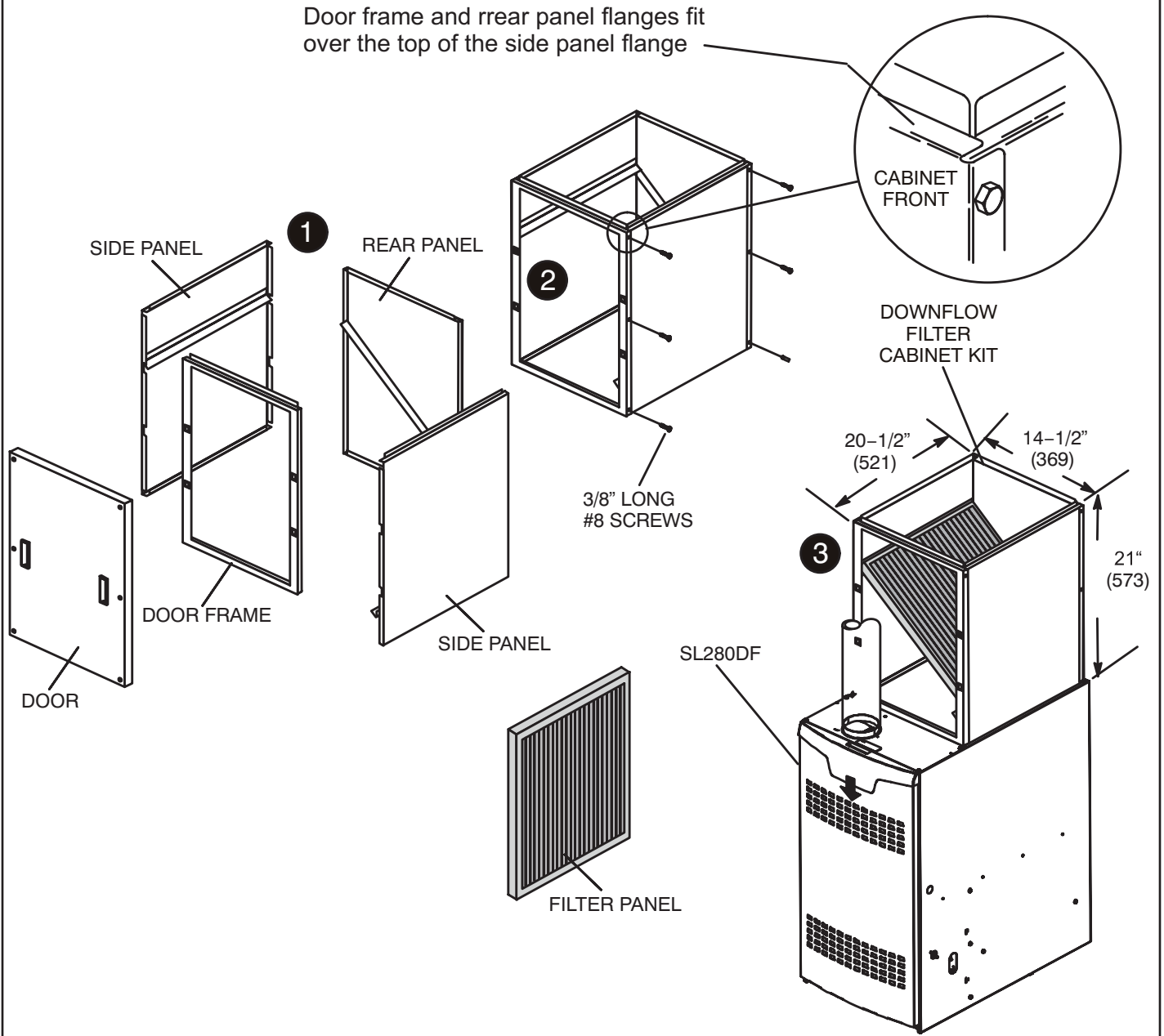
- 1 - Use the provided screws to assemble the rear and side panels. Both side panels and rear panels have a filter support rail
- 2 - Install the door frame on the front of the side panels. Do not install the door at this time.
- 3 - Position the assembled filter cabinet on the furnace. Align the holes in the bottom of the filter cabinet with holes in the top of the furnace flange. Use six of the provided screws and secure the cabinet to the furnace. Install the filter and door.

Assembly of DFC-B and DFC-C Figure 2

- 1 - Center the bottom filter rail on the furnace cabinet and secure in place
- 2 - Use the provided screws to assemble the rear and side panels. Both side panels and rear panels have a filter support rail.
- 3 - Install the door frame on the front of the side panels. Do not install the door at this time. Position the assembled filter cabinet on the furnace. Align the holes in the bottom of the filter cabinet with holes in the top of the furnace flange. Use six of the provided screws and secure the cabinet to the furnace. Install the filter and door.



DFC-A PARTS IDENTIFICATION AND ASSEMBLY



NOTE - Return air opening (W x D) "A" box 13-1/2" x 19-5/8" (343 x 498)

FIGURE 1

DFC-B AND DFC-C PARTS IDENTIFICATION AND ASSEMBLY

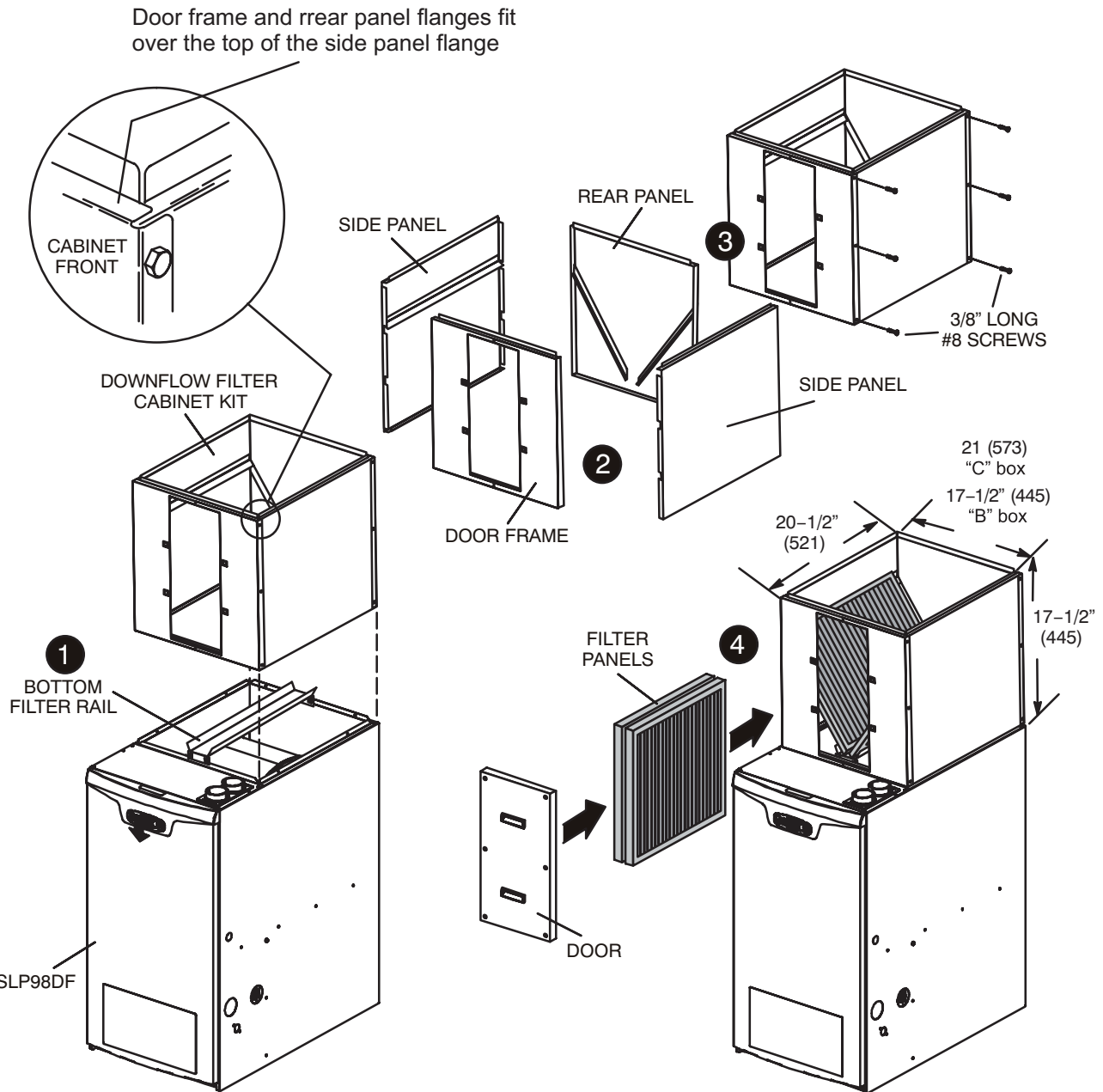


FIGURE 2

Maintenance

Filters are washable and should be checked and cleaned every 30 to 60 days. Make note of air flow arrows on side of filter when re-installing. NEVER remove any furnace vent pipe when replacing filter.

NOTE - Disposable 1" filters can be used as replacement filters if desired.

Replacement Parts

- 1 - 20" x 20" x 1" Washable filter (73W59) Door frame
- 2 - 20" X 16" X 1" Washable filter (73W58)