

INSTALLATION INSTRUCTIONS

LD24

75,000 to 300,000 Btuh Series




DUCT HEATERS

506683-01
5/2011
Supersedes 503,529M

Table Of Contents

LD24 Unit Dimensions	1	Leak Check	10
Shipping	2	Unit Start-Up	10
Optional Accessories	2	To Turn Off Gas to Unit	12
CSA Requirements in USA	3	Heating Sequence of Operation	12
CSA Requirements in Canada	3	Ignition Control LED	12
Additional Requirements	3	High Altitude Adjustment	12
Unit Heater Installation	3	Gas Flow	13
Combustion and Ventilation Air	4	Gas Pressure Adjustment	13
Rotation of Combustion Air Inducer	5	Limit Control Switch	13
Venting	5	Combustion Air Pressure Switch	13
Electrical Connections	9	Service	13
Typical LD24 Wiring Diagram	9	Start-Up and Performance Checklist	14
Gas Connection	10	Template	15

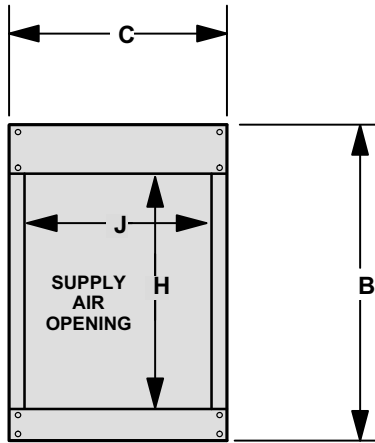
**RETAIN THESE INSTRUCTIONS
FOR FUTURE REFERENCE**

		<p>⚠ WARNING</p> <p>FIRE OR EXPLOSION HAZARD.</p> <p>Failure to follow safety warnings exactly could result in serious injury, death, or property damage.</p>	
<p>Be sure to read and understand the installation, operation and service instructions in this manual.</p> <p>Improper installation, adjustment, alteration, service or maintenance can cause serious injury, death or property damage.</p> <p>Do not store or use gasoline or other flammable vapors and liquids in the vicinity of this or any other appliance.</p> <p>Installation and service must be performed by a qualified installer, service agency or the gas supplier.</p>		<p>WHAT TO DO IF YOU SMELL GAS:</p> <ul style="list-style-type: none"> • Do not try to light any appliance. • Do not touch any electrical switch; do not use any phone in your building. • Leave the building immediately. • Immediately call your gas supplier from a neighbor's phone. Follow the gas supplier's instructions. • If you cannot reach your gas supplier, call the fire department. 	

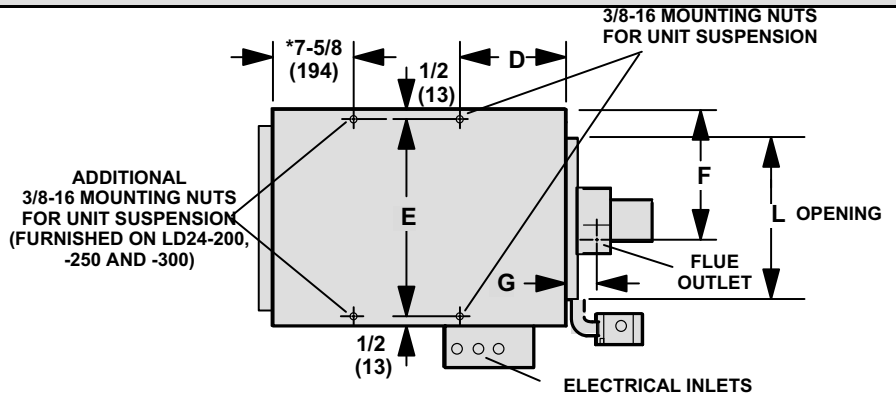
LD24 Unit Dimensions

inches (mm)

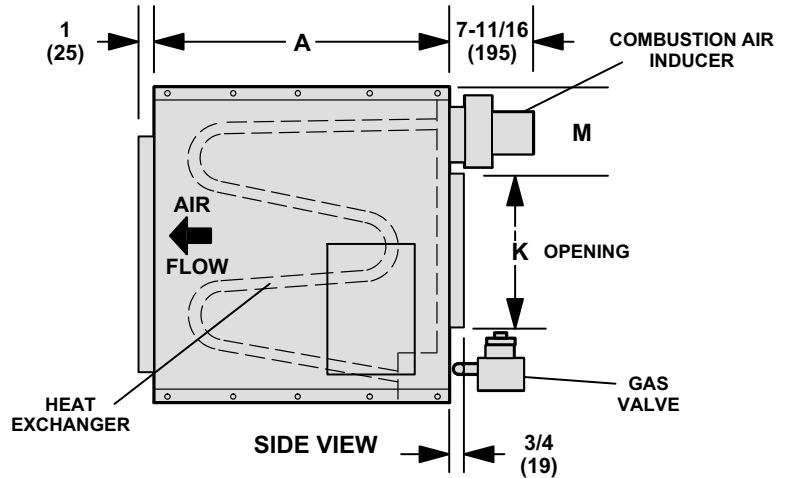
***NOTE** — Two mounting nuts are furnished on LD24-75, -100, -125, -150
 — Four mounting nuts are furnished on LD24-200, -250, -300



END VIEW



TOP VIEW



SIDE VIEW

Model No.		A	B	C	D	E	F	G	H	J	K	L	M
LD24-75(A)(S)	in.	26	28-1/4	19-1/2	8-1/2	18-1/2	11-3/4	2-1/2	21-1/8	17-3/8	13-3/8	15	7-5/16
	mm	660	718	495	216	469	298	64	537	441	340	381	186
LD24-100(A)(S), LD24-125(A)(S)	in.	31-5/16	32-3/16	20-3/16	11-1/2	19-1/16	11-3/4	3-1/4	25	18-1/8	15-3/8	15-5/8	9-5/16
	mm	795	817	513	267	484	298	83	635	460	391	397	237
LD24-150(A)(S)	in.	31-5/16	32-3/16	23-1/8	11-3/8	23-1/16	8-1/2	3-1/4	25	21-1/8	15-3/8	17-1/8	8-15/16
	mm	795	817	587	289	586	216	83	635	537	391	435	227
LD24-200(A)(S), LD24-250(A)(S), LD24-300(A)(S)	in.	31-5/16	32-3/16	41-1/8	3-11/16	40	17-1/2	3-1/4	25	39-1/8	15-3/8	35-1/16	9
	mm	795	817	1045	97	1016	445	83	635	994	391	891	229

A-Heat Exchanger Aluminum Steel S-Heat Exchanger Stainless Steel

Shipping

The heater is completely assembled and is shipped with installation and operating instructions, warranty certificate and flue transition. Check the unit for shipping damage. The receiving party should contact the last carrier immediately if any shipping damage is found.

CSA Requirements in USA

Installation of gas duct heaters must conform with local building codes or, in the absence of local codes, with the current edition of ANSI-Z223.1, National Fuel Gas Code.

Installation in aircraft hangers must be in accordance with the current edition of ANSI/NFPA No. 409, Standard for Aircraft Hangers.

Installation in parking structures must be in accordance with the current edition of ANSI/NFPA No. 88A, Standard for Parking Structures.

Installation in repair garages must be in accordance with the current edition of ANSI/NFPA No. 88B, Standard for Repair Garages.

Authorities having jurisdiction should be consulted before installation. Air for combustion and ventilation must conform to the methods outlined in the current edition of ANSI Z223.1, Section 5.3, Air for Combustion and Ventilation, or applicable provisions of local building codes.

The National Fuel Gas Code (ANSI-Z223.1) is available from:

*American National Standard Institute Inc.
11 West 42nd Street
New York, NY 10036*

These units are CSA international design-certified. These duct heaters are certified for clearances to combustible material as listed in table 1 and on unit rating plate.

Accessibility and service clearances must be observed in addition to fire protection clearances.

All electrical wiring and grounding for unit must be in accordance with the regulations of the current edition of ANSI/NFPA No. 70, National Electric Code.

The National Electric Code is available from:

*National Fire Protection Association
1 Batterymarch Park
PO Box 9101
Quincy, MA 02269-9101*

CSA Requirements in Canada

These instructions are intended only as a general guide and do not supersede local codes in any way. Authorities having jurisdiction should be consulted before installation. The installation must conform with local

building codes or, in the absence of local codes, with the current edition of CSA-B149 installation compliance codes. All electrical wiring and grounding for the unit must also comply with the current edition of CSA C22.1, Canadian Electrical Code.

These duct heaters are CSA-certified for clearances to combustible material listed on the rating plate and table 3. Adequate clearance must be provided around the appliance and around air openings into the combustion chamber. Provision must be made for service accessibility.

NOTE - Fire protection clearances may be exceeded to provide additional space for service and accessibility.

GARAGE / WAREHOUSE INSTALLATIONS

- 1 - In a storage area, clearance from the heater to combustible materials must be such that the combustible material must not attain a temperature above 160°F (71°C) during continuous operation of the unit.

⚠ WARNING

Combustible materials that are affected by exposure to temperatures less than 160°F (plastics, plastic wrap, styrofoam, cardboard, etc.) must be stored well away from this heater. Discharge air temperatures for these units can approach 200°F.

- 2 - Maintain an 8-foot (2.5 m) minimum clearance from the floor to the bottom of the heater. Refer to the current edition of CSA-B149 installation compliance codes.

AIRCRAFT HANGER

- 1 - In an area where aircraft are housed or serviced, a 10-foot (3 m) minimum clearance from the highest surface of the aircraft to bottom of the heater must be maintained.
- 2 - In other areas, an 8-foot (2.5 m) minimum clearance from the floor to bottom of heater must be maintained.

**TABLE 1
UNIT CLEARANCES TO COMBUSTIBLE MATERIALS**

Model	Top		Sides		Bottom		Rear		Flue	
	in	mm	in	mm	in	mm	in	mm	in	mm
LD24-75	1	25	6	152	0	0	18	457	6	152
LD24-100 through -300	6	152	6	152	0	0	18	457	6	152

3 - Heaters should be located so that they are protected from damage from aircraft or other appliances needed for servicing of aircraft. Refer to requirements of the enforcing authorities.

In a confined area, the heater must be installed in accordance with the current edition of CSA-B149 installation compliance codes. Be sure to check with local codes and ordinances for additional requirements.

Additional Requirements

The Commonwealth of Massachusetts stipulates the following additional requirements:

- 1 - Gas furnaces shall be installed by a licensed plumber or gas fitter only.
- 2 - The gas cock must be "T handle" type.

Duct Heater Installation

⚠ WARNING

Improper installation, adjustment, alteration, service or maintenance can cause property damage, personal injury or loss of life. Installation and service must be performed by a licensed professional installer (or equivalent), service agency or the gas supplier.

⚠ CAUTION

As with any mechanical equipment, personal injury can result from contact with sharp sheet metal edges. Be careful when you handle this equipment.

Connect the return air and supply air ducts to unit. The unit must be installed on the positive pressure side of the circulating air blower. The CFM through the unit must be adjusted within the range listed on the unit rating plate. The air flow pattern must be reasonable and even. **Failure to comply with these adjustments may void the warranty.** The connecting duct to the unit shall have removable access panels on both upstream and downstream sides of the duct heater. These openings shall be accessible when the furnace is installed in service and shall be of such size that smoke or reflected light may be observed inside the casing to indicate the presence of leaks in the heat exchanger. The cover for the openings shall be attached in such a manner as to prevent leaks.

A duct furnace shall be installed with an inlet duct which will provide air distribution equivalent to a straight run of duct having the same cross-sectional area as the inlet connection and not less than 2 equivalent diameters in length. See figure 1.

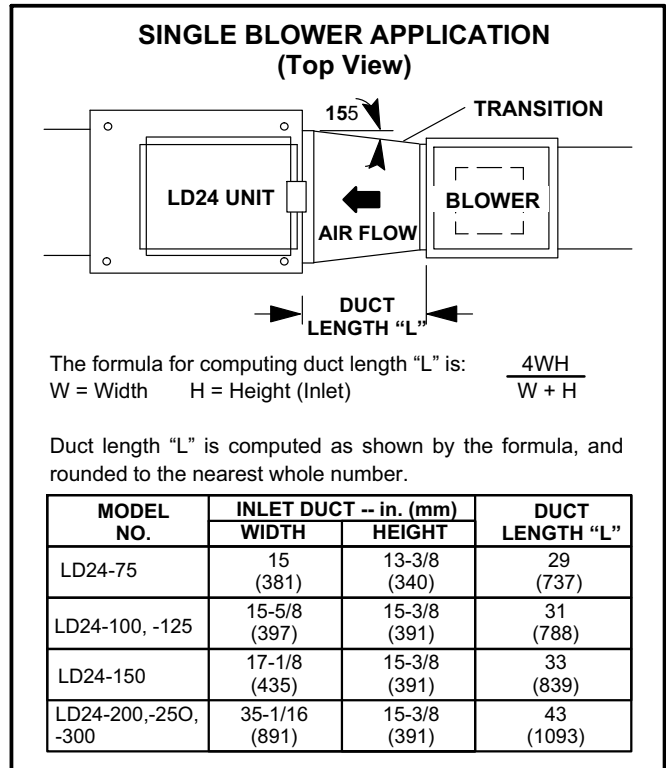


FIGURE 1

NOTE - The appliance shall not be installed downstream from evaporative coolers, air washers, or cooling units of refrigerating systems.

The duct connection from the blower to the unit must be a smooth transition. Any side of the transition shall not taper more than 15°. Where elbows or turns are used, proper air distribution can be obtained by the use of properly designed air turns.

NOTE - Do not install heater in explosive or flammable atmosphere, laden with grain dust, sawdust, or similar airborne materials. Do not install heater where direct contact with water may occur.

Install the unit in the desired location as governed by clearances, vent connection, air direction, gas supply, electrical supply and service accessibility.

On LD24 models 75, 100, 125 and 150, mounting nuts are furnished at the balance point (two positions only). On LD24 models 200, 250 and 300, mounting nuts are furnished at each corner of the unit. Mounting nuts will accommodate 3/8" x 16 threaded rods.

- 1 - Cut threaded rods to desired length and slide a 3/8" nut onto the rod.
- 2 - Slide a flat washer onto the threaded rod AFTER the nut (7/16" inside diameter X 1" outside diameter X 1/16" thick washer).
- 3 - Screw the rods (two or four) into the mounting nuts on the unit.

4 - Tighten nuts to secure unit to rods.

⚠ CAUTION

In these conditions, condensate will form in the duct heater. A condensate drain connection is provided on the duct heater for condensate removal. Installer must make adequate provisions to route condensate from this drain connection. The condensate drain should be checked periodically and cleaned as required.

⚠ IMPORTANT

Do not use the gas manifold pipe to lift unit. Any excessive upward or downward force on the manifold pipe and bracket assembly can cause the ignition burner and igniter to become misaligned.

Combustion and Ventilation Air

Adequate facilities for supplying air for combustion and ventilation must be provided in accordance with the current edition of ANSI Z223.1, section 5.3, and CSA-B149 installation compliance codes, or applicable provisions of local building codes.

All gas-fired appliances require air to be used for the combustion process. In many buildings today, there is a negative indoor air pressure caused by exhaust fans, etc. If sufficient quantities of combustion air are not available, the heater or another appliance will operate in an inefficient manner, resulting in incomplete combustion which can result in the production of excessive carbon monoxide.

⚠ CAUTION

Insufficient combustion air can cause headaches, nausea, dizziness, asphyxiation or death.

If indoor air is to be used for combustion, it must be free of the following substances or the life of the heat exchanger will be adversely affected: chlorine, carbon tetrachloride, cleaning solvent, halogen refrigerants, acids, cements and glues, printing inks, fluorides, paint removers, varnishes, or any other corrosives.

Rotation of Combustion Air Inducer (LD24-75, -100, -125 and -150 Only)

The combustion air inducer on LD24 models -75, -100, -125 and -150 may be rotated 90° either to the left or right of the original vertical position in order to better suit the application.

NOTE - It is not permissible to rotate the combustion air inducer on LD24 models -200, -250 and -300.

Rotate the combustion air inducer assembly as follows:

- 1 - Remove the heater from the carton. Decide the best duct heater orientation. The vent can be installed in one of three discharge positions: up, left, or right.
- 2 - If the inducer is to be rotated, follow the instructions in this section; otherwise, refer to instructions under "Venting" section.
- 3 - Before making an electrical or gas connections, remove the securing screws on the flue box/combustion air inducer. See figure 2.

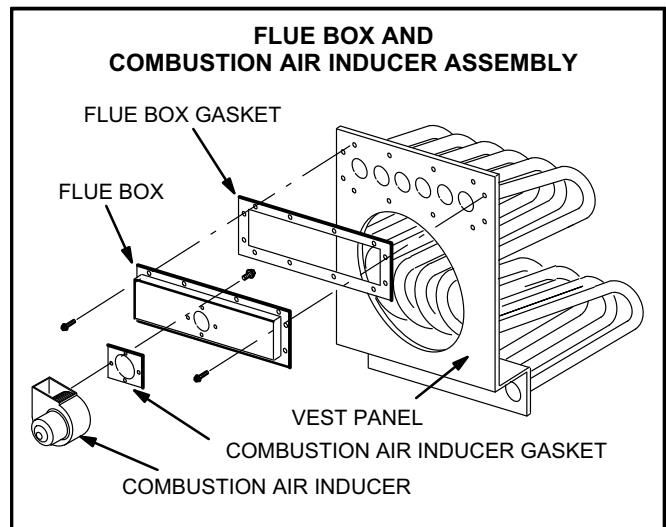


FIGURE 2

- 4 - Remove the flue box/combustion air inducer assembly, ensuring that the gasket is not damaged. If the gasket is damaged, replace it.
- 5 - Use a 1/4" socket to remove the three screws which secure the combustion air inducer to the flue box. Remove the inducer and gasket from the flue box ensuring that the gasket is not damaged. If the gasket is damaged, replace it.
- 6 - Use the template provided in the back of this manual to mark new hole locations. Use a 7/32" drill bit to drill holes in flue box.
- 7 - Place the gasket between the combustion air inducer and the flue box. Rotate both the inducer and the gasket 90° to the desired position. Reinsert and tighten the three inducer securing screws (#8-16 X 1/2" HWHSMS).
- 8 - Place the gasket between the flue box and the vest panel. Position the flue box/combustion air inducer assembly on the vest panel. Fasten the flue box to the vest panel using the flue box securing screws (#10-16 X 5/8" HWHSMS) and a 5/16" driver.
- 9 - The duct heater is now ready for installation as described in the Venting section.

Venting

NOTE - The vent is a passageway, vertical or nearly so, used to convey flue gases from an appliance, or its vent connector, to the outside atmosphere. The vent connector is the pipe or duct that connects a fuel-gas burning appliance to a vent or chimney.

NOTE - Local codes may supersede any of these provisions.

GENERAL RECOMMENDATION AND REQUIREMENTS

LD24 duct heaters must be vented in compliance with the latest edition of the National Fuel Gas Code (NFPA 54 / ANSI Z223.1) in the USA and with CSA-B149.1 codes in Canada, as well as applicable provisions of local building codes, and the following instructions.

A sheet metal flue transition is supplied with this certified unit. It must not be modified or altered and must be installed on the outlet of the combustion air inducer assembly prior to the installation of the vent connector. Failure to comply with this requirement will void the certification of the unit by the approval agencies.

A single-wall vent connector may be used in all applications between the furnace and the vertical vent pipe.

UL-approved Category III venting materials must be used in all horizontal vent piping applications.

A single-wall vent pipe used as a vent connector or as a vertical vent must have all seams and joints sealed with pressure-sensitive aluminum tape or silicone rubber sealant. Aluminum tape must meet the provisions of SMACNA AFTS-100-73 Standards. The aluminum tape must have a temperature rating of 400°F (204°C). Silicone rubber sealant must have a temperature rating of 482°F (250°C), i.e., Dow Corning RTV-736 or equivalent.

All joints must be secured with at least two corrosion resistant screws. All joints must be checked for gas tightness after installation. Single-wall vent pipe used as vertical vent must not pass through any attic, interior wall, concealed space, or floor.

VERTICAL VENTS USING METAL VENT PIPE

All LD24 duct heaters are listed as Category 1 appliances for vertical vent installations.

- 1 - All LD24 duct heaters are to be used with NFPA- or ANSI-approved chimneys or U.L.-listed type B-1 gas vents where applicable, as well as the modifications and limitations listed in figure 2. Seal single-wall vent material according to **General Recommendations and Requirements** section.

- 2 - Keep the vent connector runs as short as possible with a minimum number of elbows. Refer to the current edition of ANSI Z223.1 or CSA-B149 installation compliance codes for maximum vent and vent connector lengths. Horizontal run of the vent connector from the combustion air inducer outlet to the chimney/vent pipe cannot exceed the values in table 3.

A single 3" (76 mm), 4" (102mm), or 5" (127 mm) elbow is equivalent to 5 feet (1.53 m) of vent pipe. A single 6" (152mm) elbow is equivalent to 9 feet (2.75 m) of vent pipe.

Single-wall vent connector shall not be insulated.

**TABLE 2
VENT CONNECTOR DIAMETERS**

Model Number	Connector Diameter
LD24-100, LD24-115 LD24-145	4" (102mm)
LD24-175 LD24-200 LD24-230 LD24-250 LD24-300	5" (127mm)

- 3 - All LD24 models may be vented vertically as a single appliance, or as a common vent with other gas-fired appliances. In a common venting situation, vent connectors for other appliances must be joined to the vent at least 4" (102 mm) above the connected LD24 connection. When common venting with another LD24 unit, maintain at least a 4" (102 mm) vertical separation between the vent connectors.
- 4 - Clearance to combustible material is 6" (152mm) for single-wall vent material except where a listed clearance thimble is used. Clearance to combustible material for type B-1 vent or factory-built chimney is per manufacturer's instructions.
- 5 - The vent connector must be supported with hangers no more than three feet (1 m) apart to prevent movement after installation. All horizontal vent connector runs must have a slope up to the vertical vent of at least 1/4" per foot (1mm per 50mm).
- 6 - All vertical vents must be terminated with a listed vent cap or rain shield assembly unless local codes permit otherwise.

VENT TERMINATION ON SINGLE-WALL VERTICAL VENT RUNS

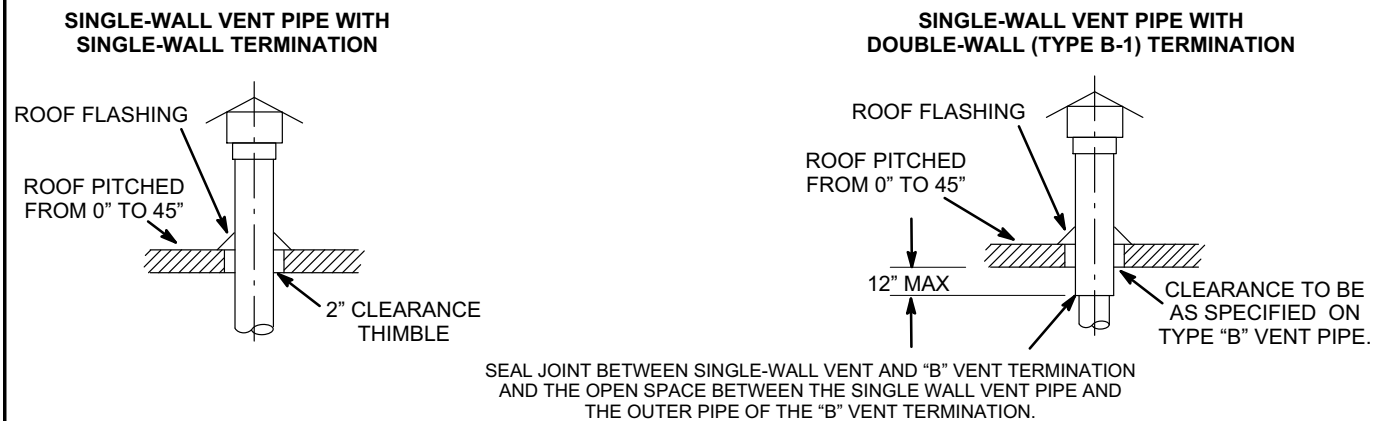


FIGURE 3

7 - The vent pipe must extend at least 3 feet (1m) above the highest point where it passes through a roof of a building. The vent must also extend at least two feet higher than any part of a building within a horizontal distance of 10 feet (3.05 m) unless otherwise specified by the ANSI Z223.1 or CSA-B149 installation compliance codes. The vent must extend at least 5 feet (1.53 m) above the highest connected equipment flue collar.

**TABLE 3
MAXIMUM HORIZONTAL VENT CONNECTOR AND
HORIZONTAL VENT PIPE LENGTHS**

No. of Elbows	LD24-75 through -150		LD24-200 through -300	
	ft	m	ft	m
1	25	7.6	35	10.7
2	20	6.1	30	9.1
3	15	4.6	25	7.6
4	10	3.0	20	6.1
5	5	1.5	15	4.6
6	--	--	10	3.0
7	--	--	5	1.5

8- When the length of a single-wall vent, including elbows, exceeds the length shown in table 4, the vent shall be insulated along its entire length with a minimum of 1/2" thick foil faced fiberglass 1-1/2# density insulation.

**TABLE 4
MAXIMUM LENGTH UNINSULATED VENT CONNECTOR
(INCLUDING ELBOWS)**

Model	ft	m
LD24-75	15	4.57
LD24-100 THROUGH 300	N/A*	N/A*

*Not applicable for larger units. Maximum length of uninsulated vent is equal to maximum allowable vent length from table 2.

HORIZONTAL VENTING

NOTE - Common venting is not allowed when horizontally venting the duct heater.

If the LD24 duct heater is to be horizontally vented, a positive pressure may be created in the vent. The duct heater, when installed with horizontal venting, will perform as a category III appliance.

- 1 - **Special vent materials approved for use with Category III appliances may be used with these units.** Refer to table 7 for venting components.
- 2 - If possible, do not terminate the horizontal vent through a wall that is exposed to prevailing wind. Exposure to excessive winds can affect unit performance. If such a termination is necessary, use a wind block to protect the vent termination from direct winds.
- 3 - Vent termination must be free from obstructions and at least 12" (30.5 cm) above grade level and maximum snow height.
- 4 - Do not terminate vent directly below roof eaves or above a public walkway, or any other area where condensate dripping may be troublesome and may cause some staining. Avoid windows where steam may cause fogging or ice buildup.
- 5 - Minimum clearance for horizontal vent termination from any door, window, gravity air inlet, gas or electric meter, regulators, and relief equipment is 4 feet (1m) for United States installations.

In Canada, horizontal vent termination must have a minimum 6-foot horizontal clearance from gas and electric meters and relief devices.

Refer to latest editions of the ANSI Z223.1 or CSA-B149 for installation compliance codes and with local authorities with jurisdiction.
- 6 - Vent termination must be a minimum of 4 feet (1.2m) horizontally from any soffit or under-eave vent.

- 7 - Vent termination must be a minimum of 6 feet (1.83 m) from an inside corner formed by two exterior walls. If possible, leave a 10-foot clearance.
- 8 - Vent termination must be a minimum of 10 feet (3m) from any forced air inlet (includes fresh air inlet for other appliances, such as a dryer).
- 9 - For upward sloped vent, a condensate tee and drain must be installed within the first 5 feet (2m) from the duct heater to protect the appliance. If a flexible condensate drain line is used, the drain line must include a loop filled with water to prevent combustion products from entering the structure. If the unit is shut down for an extended period of time and will be exposed to sub-freezing temperatures, the condensate may freeze.
- 10 - For upward sloped vent, see figure 3, condensate tee and drain must be installed within the first 5 feet (1.53 m) from the duct heater to protect the appliance.
- 11 - Flexible loop trap in condensate line (if used) must be filled with water to prevent combustion products from entering structure.
- 12 - Select a wall termination point that will maintain 1/4" rise per foot slope of horizontal run of vent pipe. In areas where authorities having jurisdiction permit, a downward slope of maximum 1/4" per foot is also acceptable. Condensate drainage can be collected in a tee pipe section (figure 4) with drain loop similar to one used for upward slope vent, or allowed to drip through the vent termination, if permitted by authorities (figure 5).
- 13 - For horizontal venting, the vent pipe must be supported with hangers no more than 3 feet (1m) apart to prevent movement after installation.
- 14 - All horizontal vent applications which use Category III vent pipe must terminate with an approved Category III tee. Opening end must face downward.
- 15 - When termination is routed through an exterior combustible wall the vent must be supported using a listed clearance thimble. Inside edge of vent termination tee or elbow must be at least 12" (305mm) from outside wall.

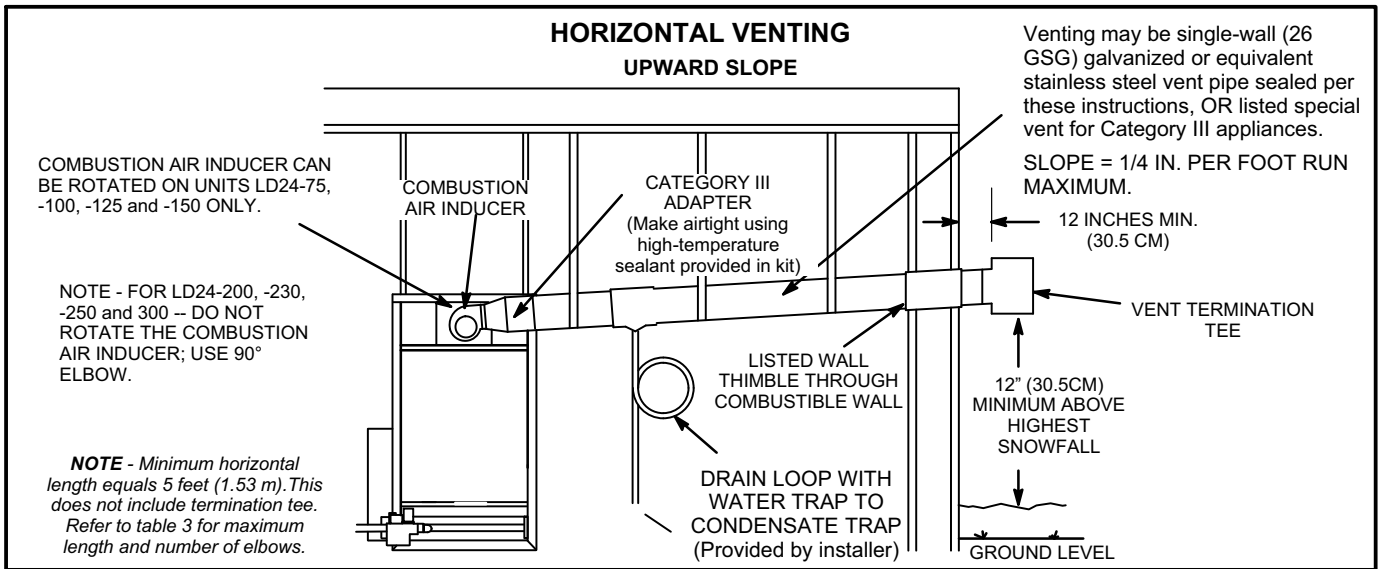


FIGURE 4

**CONDENSATE DRAIN THROUGH TEE PIPE AND DRAIN LOOP
DOWNWARD SLOPE ON HORIZONTAL VENT**

Venting may be single-wall (26 GSG) galvanized or equivalent stainless steel vent pipe sealed per these instructions, OR listed special vent for Category III appliances.

SLOPE = 1/4 IN. PER FOOT RUN MAXIMUM.

NOTE - Minimum horizontal length equals 5 feet (1.53 m). This does not include termination tee. Refer to table 6 for maximum length and number of elbows.

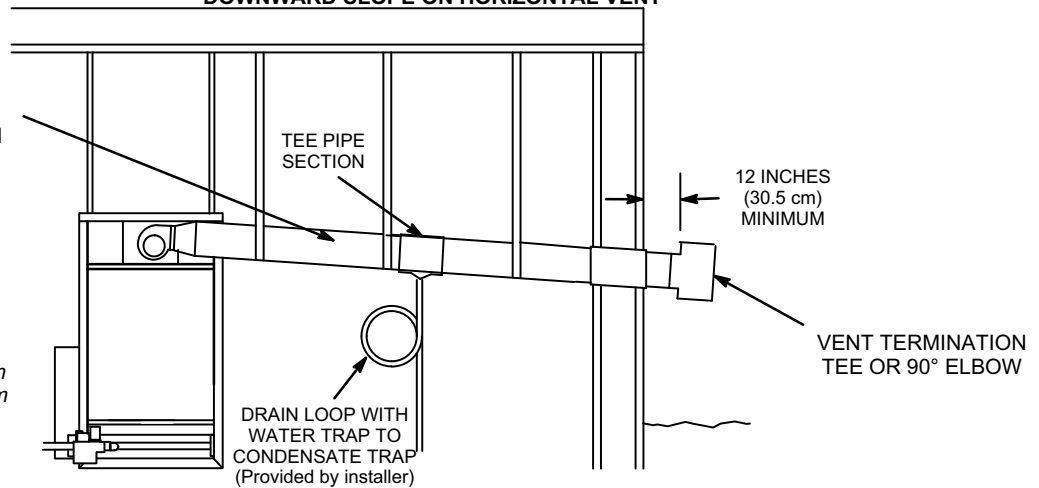


FIGURE 5

**CONDENSATE DRAIN THROUGH VENT TERMINATION
DOWNWARD SLOPE ON HORIZONTAL VENT**

Venting may be single-wall (26 GSG) galvanized or equivalent stainless steel vent pipe sealed per these instructions, OR listed special vent for Category III appliances.

SLOPE = 1/4 IN. PER FOOT RUN MAXIMUM.

NOTE - Minimum horizontal length equals 5 feet (1.53 m). This does not include termination tee. Refer to table 6 for maximum length and number of elbows.

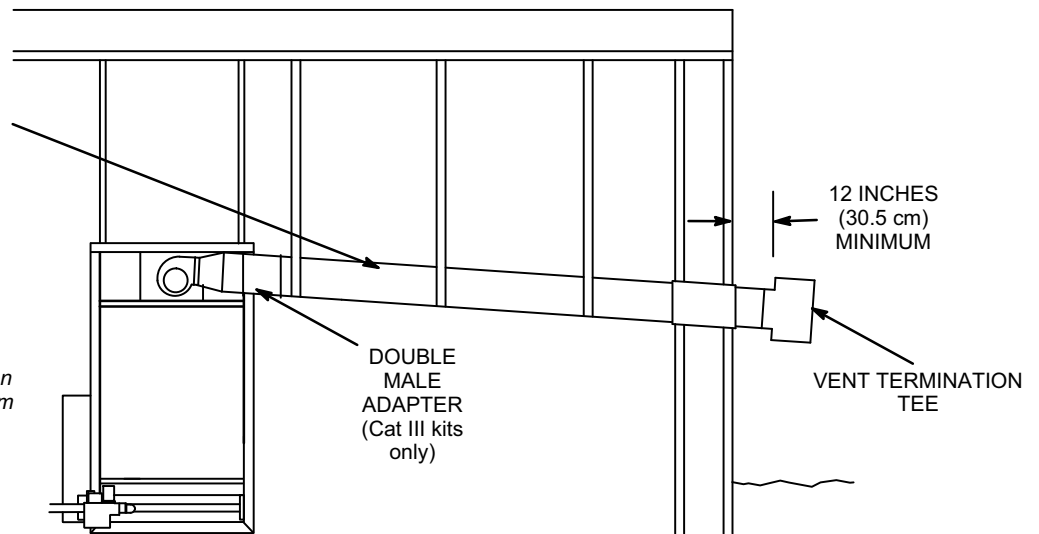


FIGURE 6

**TABLE 5
Category III Horizontal Venting Components
(Required for Horizontal Vent Applications)**

Unit	Catalog Number	Model Number	Description
LD24-75	75W63	C5VENT4KU	4" upward sloped Cat III vent kit
	75W67	C5VENT4KD	4" downward sloped Cat III vent kit
LD24-100	75W71	C5VENT4E	4" 90° elbow Cat III (required)
LD24-125 LD24-150	75W77	C5VENT4P6	4" straight pipe (length = 6")
	75W78	C5VENT4P6	4" straight pipe (length = 12")
	75W79	C5VENT4P6	4" straight pipe (length = 36")
LD24-200	75W64	C5VENT5KU	5" upward sloped Cat III vent kit
	75W68	C5VENT5KD	5" downward sloped Cat III vent kit
LD24-250	75W72	C5VENT5E	5" 90° elbow Cat III (required)
	75W80	C5VENT5P6	5" straight pipe (length = 6")
LD24-300	75W81	C5VENT5P12	5" straight pipe (length = 12")
	75W82	C5VENT5P36	5" straight pipe (length = 36")

Electrical Connections

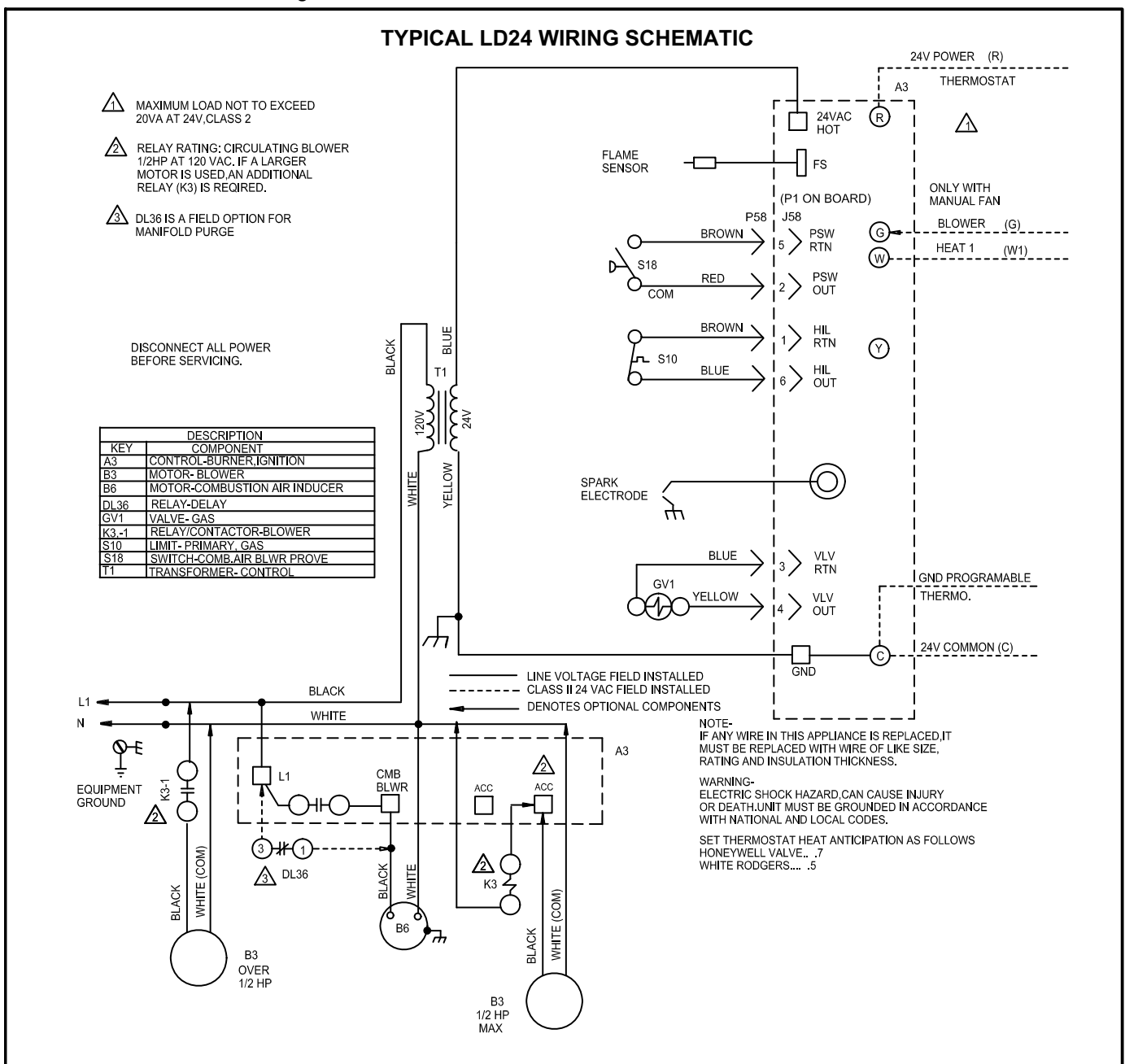
NOTE - Local codes may supersede any of the provisions outlined in this instruction.

The LD24 series duct heaters use a direct spark ignition system. There is no pilot necessary as the spark lights the main burner as the gas valve is turned on. The direct spark ignition control board emits radio noise as the sparking process is under way. The level of energy may be sufficient to disturb a logic circuit in a microprocessor controlled thermostat. It is recommended that an isolation relay be used when connecting the LD24 series duct heaters to a microprocessor-controlled thermostat. Install the thermostat according to instructions provided by the manufacturer. Install a separate fused disconnect switch, with the fuse sized according to blower motor size.

Connect wiring through knockout on the junction box located on the side of the duct heater. Refer to heater wiring diagram for connection information. Use 18 gauge wire or larger for thermostat connections.

NOTE - Electrically ground unit in accordance with local codes or, in the absence of local codes, in accordance with the current National Electrical Code (ANSI/NFPA No. 70) in the U.S.A., and in Canada with the current Canadian Electrical Code, Part 1 (CSA C22.1).

NOTE - Uninsulated ground wires must be wrapped in electrical tape to avoid damage to the electrical system. Connect field wiring as shown on wiring diagram on unit. Also refer to typical diagram in this manual. An additional thermostat wire must be run to terminal "G" on heater when continuous blower is desired.



Gas Connection

When connecting gas supply, the length of the run from the meter must be considered in determining the pipe size to avoid excessive pressure drop. A line pressure of 7" w.c. (178 mm w.c.) for natural gas should be maintained when sizing piping. For correct sizing of piping, consult the utility having jurisdiction.

A drip leg should be installed in the vertical pipe run to the unit. In some localities, codes may require that a manual main shutoff valve and union (furnished by installer) be installed external to the unit. Union must be of the ground joint type. See figure 7.

A 1/8" NPT plugged tap must be installed immediately upstream of the gas supply connection to the heater.

NOTE - Compounds used on threaded joints of gas piping must be resistant to the actions of liquefied petroleum gases.

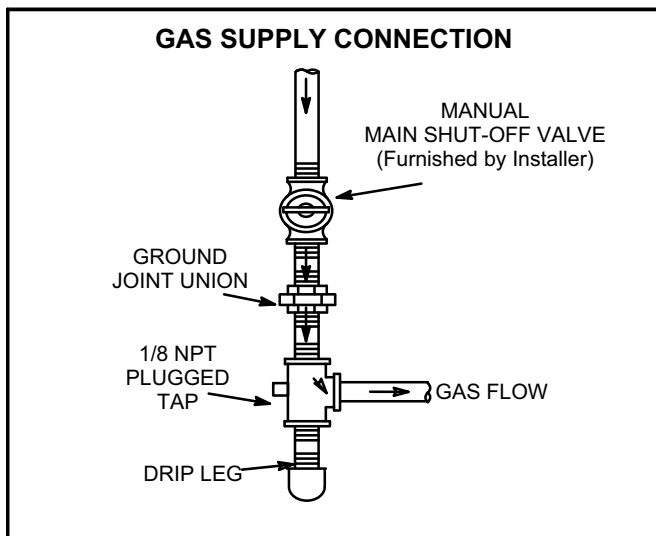


FIGURE 7

Leak Check

After gas piping is completed, carefully check all piping connections, (field and factory), for gas leaks. Use a soap solution or other preferred means.

⚠ CAUTION

DO NOT use matches, candles, flame or other sources of ignition to check for gas leaks.

The appliance must be isolated from the gas supply piping system by closing its individual manual gas shutoff valve during any pressure testing of the gas supply system at test pressures equal to or less than 1/2 psig (3.45kPa).

⚠ IMPORTANT

The heater and its individual shut off valve must be disconnected from the gas supply piping system during any pressure testing of that system at test pressures in excess of 1/2 psig (3.45kPa). See figure 8.

NOTE - In case emergency shutdown is required, shut down main gas valve and disconnect main power to unit. These devices should be properly labeled by the installer.

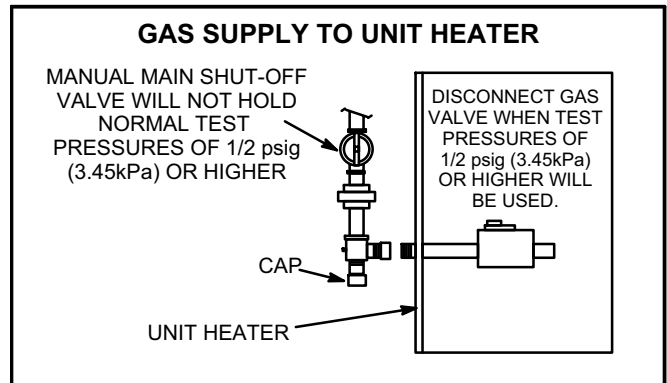


FIGURE 8

Unit Start-Up

FOR YOUR SAFETY READ BEFORE LIGHTING

⚠ WARNING



Electric shock hazard. Can cause injury or death. Do not use this appliance if any part has been under water. Immediately call a qualified service technician to inspect the furnace and to replace any part of the control system and any gas control which has been under water.

⚠ WARNING



Danger of explosion. Can cause injury or product or property damage. If overheating occurs or if gas supply fails to shut off, shut off the manual gas valve to the appliance before shutting off electrical supply.

⚠ WARNING



Electric shock hazard. Can cause injury or death. Before attempting to perform any service or maintenance, turn the electrical power to unit OFF at disconnect switch(es). Unit may have multiple power supplies.

⚠ WARNING



Danger of explosion and fire. Can cause injury or product or property damage. You must follow these instructions exactly.

BEFORE LIGHTING smell all around the appliance area for gas. Be sure to smell next to the floor because some gas is heavier than air and will settle on the floor.

Use only your hand to push in or turn the gas control knob. Never use tools. If the knob will not push in or turn by hand, do not try to repair it, call a qualified service technician. Force or attempted repair may result in a fire or explosion.

These duct heaters are equipped with an automatic spark ignition system. There is no pilot. In case of a safety shutdown, move thermostat switch to **OFF**, then return the thermostat switch to **HEAT** position.

GAS VALVE OPERATION FOR HONEYWELL VR8205/VR8305 SERIES GAS VALVE (FIGURE 9)

- 1 - STOP! Read the safety information at the beginning of this section.
- 2 - Set thermostat to lowest setting.
- 3 - Turn off all electrical power to appliance.
- 4 - This appliance is equipped with an ignition device which automatically lights burners. **DO NOT attempt to light the burners manually.**
- 5 - Turn the manual knob on gas valve clockwise to **OFF**. Do not force.

- 6 - Wait five minutes to clear out any gas. If you then smell gas, **STOP!** Immediately call your gas supplier from a neighbor's phone. Follow the gas supplier's instructions. If you do not smell gas, go to next step.
- 7 - Turn manual knob on gas valve counterclockwise to **ON**.
- 8 - Turn on all electric power to unit.
- 9 - Set thermostat to desired setting.
- 10 - The combustion air inducer will start. The burners will light within 40 seconds.
- 11 - If unit does not light first time (gas line not fully purged) it will attempt up to two more ignitions before locking out.
- 12 - If lockout occurs, repeat steps 1 through 8.
- 13 - If appliance still will not operate, follow the instructions "**To Turn Off Gas to Unit**" and call your service technician or gas supplier.

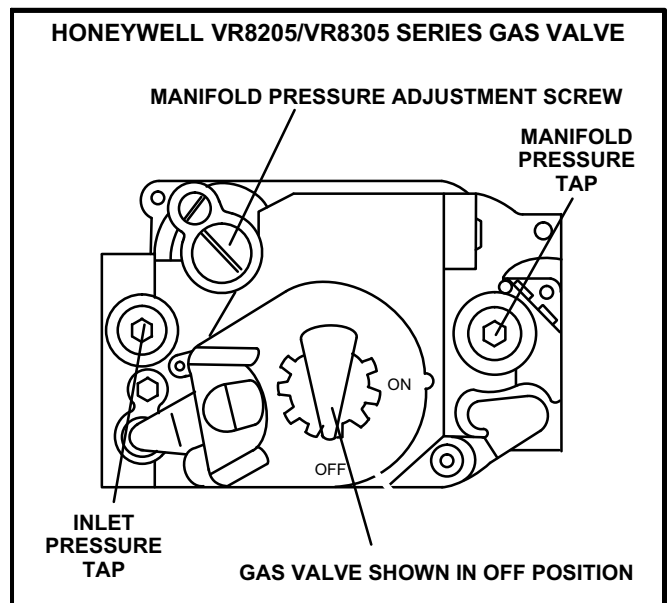



FIGURE 9

To Turn Off Gas to Unit

- 1 - Set thermostat to lowest level.
- 2 - Turn off all electrical power to unit if service is to be performed.
- 3 - Turn knob on gas valve 90° clockwise  to OFF.

Heating Sequence of Operation

- 1 - When the thermostat calls for heat, the combustion air inducer starts immediately.
- 2 - Combustion air pressure switch proves inducer operation before allowing power to the ignition controller. This switch is factory-set and no adjustment is necessary.
- 3 - After prepurge of approximately 30 seconds, the spark ignition is energized and the solenoid valves open in the gas valve. LD24 models 200, 250 and 300 are equipped with a step opening valve. During ignition phase of start-up a pressure of approximately 25% of full rate allows even ignition of all burners for several seconds before full rate pressure is established.
- 4 - The spark then ignites the gas, the ignition sensor proves the flame, and the combustion process continues.
- 5 - In the event that the flame is not detected after the first 10-second trial for ignition, the controller will repeat steps 3 and 4 an additional two times before locking out the gas valve. Ignition control will then automatically repeat steps 3, 4, and 5 after 60 minutes.

NOTE: To interrupt the 60-minute lockout period, move thermostat from “Heat” to “OFF” then back to “Heat.” Heating sequence then restarts at step 1.

- 6 - The burners must light without noticeable crossover delay. There must be no flame lifting from the burner heads, flashback or burning within the burner. The flames should be predominantly blue in color and should be approximately centered in the tubes with no apparent impingement taking place.
- 7 - The ignition control will energize the ACC terminals approximately 45 seconds after ignition is established.
- 8 - After the thermostat demand is satisfied, the gas valve is closed. Five seconds after the demand is satisfied, the combustion air inducer is shut off.

- 9 - The ignition control will de-energize the ACC terminals approximately 150 seconds after the gas valve is de-energized.

Ignition Control LED

The ignition control contains a green LED which indicates the following:

**TABLE 6
IGNITION CONTROL LED**

LED	UNIT OPERATION
Slow Flash*	Normal Operation - No call for heat
Fast Flash	Normal Operation - Call for heat
2 Flashes	System lockout - failed to detect or sustain flame
3 Flashes	Pressure switch failed closed before CAI is energized or failed open after CAI is energized
4 Flashes	High limit or rollout switch open
5 Flashes	Flame sensed and gas valve not energized
Steady Off	Loss of power
Steady On	Ignition control failure

*When thermostat is placed in continuous fan mode, LED will slowly flash.

High Altitude Adjustment

In Canada, certification for installation at altitudes over 4500 feet (1372m) above sea level is the jurisdiction of the local authorities.

Unit may be fired at full input up to 2000 feet (610m) above sea level. At altitudes of 2000-4500 feet (610-1372m) units have a fixed derate. See markings on unit for correct input. No additional adjustment is necessary. If unit is installed at an altitude greater than 4500 ft. (1372m), unit must be derated by 4 percent for each additional 1000 ft. (305m) above sea level or as permitted by the requirements of the local authorities.

NOTE - A natural to LP/propane gas changeover kit is required to convert the unit in the field. Refer to the installation instructions supplied with the changeover kit for conversion procedure.

Gas Flow

To check for proper gas flow to the combustion chamber, determine the Btu input from the appliance rating plate. Divide this input rating by the Btu per cubic feet of available gas. Result is the required number of cubic feet per hour. Determine the flow of gas through the gas meter for two minutes and multiply by 30 to get the hourly flow of gas.

Gas Pressure Adjustment

- 1 - Check gas line pressure with unit firing at maximum rate. A minimum of 5" (127mm) w.c. for natural gas should be maintained for proper unit operation.
- 2 - After line pressure has been checked and adjusted, check regulator pressure. Adjust manifold pressure to values specified on the unit rating plate. See figure 8. If unit is installed at an altitude greater than 7500 feet (2286m), unit must be derated by four percent for each additional 1000 feet (305m) above 7500 feet (2286m).

Limit Control Switch

The limit control switch(es) are factory-set and are not field-adjustable.

Combustion Air Pressure Switch

This pressure switch checks for proper combustion air inducer operation before allowing an ignition trial. The switch is factory-set and no field adjustment is necessary.

Service

CAUTION

Turn off gas and electrical power to unit before performing any maintenance or service operations on this unit. Remember to follow lighting instructions when putting unit back into operation after service or maintenance.

LUBRICATION

Combustion air inducer motor bearings are pre-lubricated and sealed. No further lubrication is necessary.

BURNERS

- 1 - Periodically examine burner flames for proper appearance during the heating season.
- 2 - Before each heating season examine the burners for any deposits or blockage that may have occurred.
- 3 - Clean burners as follows:
 - a - Turn off both electrical and gas supplies to unit.
 - b - Disconnect gas supply piping, high tension and sensor leads. Remove gas manifold. Remove burner tray.
 - c - Clean burners as necessary. Make sure that burner heads line up properly to ensure flame crossover. Check spark gap on electrode and adjust if required. The gap should be between 0.110" and 0.140" (2.8 mm to 3.6 mm). The gap may be checked with appropriately sized twist drills or feeler gauges.
 - d - Reinstall burner tray, gas manifold, high tension and sensor leads. Reconnect gas supply piping.
 - e - Restore electrical power and gas supply. Follow lighting instructions to light unit. Check burner flame.

FLUE PASSAGEWAY AND FLUE BOX

The flue passages and flue box should be inspected and cleaned prior to each heating season. The sequence of operation should be as follows:

- 1 - Turn off both electrical and gas supply to unit.
- 2 - Disconnect combustion air inducer wiring.
- 3 - Remove screws securing flue box to unit. Remove flue box. If necessary, remove blower assembly from flue box. Clean flue box with wire brush.
- 4 - On LD24-100, -125, -150, -200, -250, and -300 models, remove turbulator retention bracket and turbulators. Clean turbulators with wire brush. There are no turbulators on LD24-75 duct heaters.
- 5 - Remove burners as described in "Burners" section.
- 6 - Clean tubes with a wire brush.
- 7 - Reassemble unit. The combustion air and flue box gaskets should also be replaced during reassembly.
- 8 - Restore electrical power and gas supply. Follow lighting instructions to light unit. Check operation of unit.

COMBUSTION AIR INDUCER

Under normal operating conditions, the combustion air inducer should be checked and cleaned prior to the heating season with the power supply disconnected. Use a small brush to clean inducer wheel.

ELECTRICAL

- 1 - Check all wiring for loose connections.
- 2 - Check for correct voltage at unit (unit operating).
- 3 - Check amperage draw.

FLUE AND CHIMNEY

Check all vent and vent connector joints for tightness. Ensure that connections are sealed and that there are no blockages.

FAILURE TO OPERATE

If unit fails to operate check the following:

- 1 - Is thermostat calling for heat?
- 2 - Is main disconnect closed?
- 3 - Is there a breaker tripped or a fuse blown?
- 4 - Is gas turned on at meter?
- 5 - Is manual shutoff valve open?
- 6 - Is unit ignition system in lock out? If unit locks out again, call service technician to inspect unit.
- 7 - Is pressure switch closed? Obstructed flue will cause unit to shut off at pressure switch. Check flue passage and outlet.

SAFETY SHUT-OFF VALVE TEST

The safety shut-off valve test procedure is as follows:

- 1 - Turn off the manual gas valve.
- 2 - Set the thermostat to call for heat.
- 3 - System begins normal sequence of operation.
- 4 - After approximately 30 seconds (pre purge period) the LED will fast flash indicating the gas valve is powered.
- 5 - After 10 seconds, the gas valve closes and steps 4 and 5 will repeat two additional times before locking out the gas valve, which will be indicated by two flashes on the LED.
- 6 - To restart the system, de-energize the thermostat call for heat and follow the operating instructions under "Unit Start-Up".

REPAIR PARTS

When ordering repair parts include the complete unit model number listed on the unit rating plate. For example: LD24-175A-1.

START-UP AND PERFORMANCE CHECKLIST

Job Name: _____ Job No.: _____ Date: _____
 Job Location: _____ City: _____ State/Province: _____
 Installer: _____ City: _____ State/Province: _____
 Unit Model No.: _____ Serial No.: _____ Service Technician: _____

Electrical Connections Tight? _____ Air Shutters Properly Adjusted (If Installed)? _____
 Supply Voltage _____ Flue Connections Tight? _____
 Blower Motor Lubrication O.K.? _____
 Gas Piping Connections Tight & Leak-Tested? _____

THERMOSTAT

Furnace Btu Input _____ Calibrated? _____
 Line Pressure _____ Heat Anticipator Properly Set? _____
 Manifold Pressure _____ w.c. Level? _____

TEMPLATE
Location of Combustion Air Inducer Mounting Holes for
Rotated Inducer

