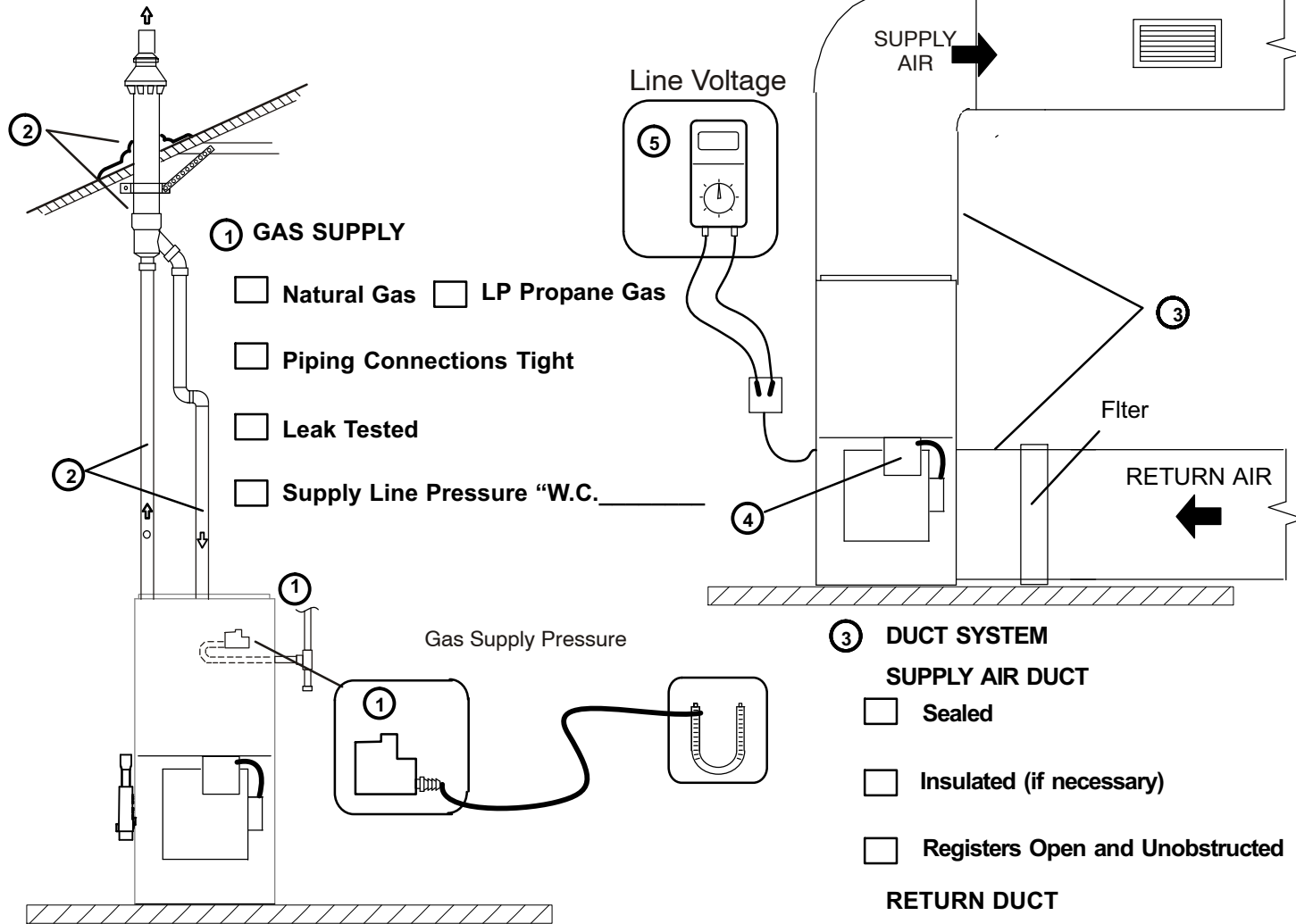


UNIT SET UP

Furnace:
Model Number _____

Serial Number _____



① GAS SUPPLY

- Natural Gas LP Propane Gas
- Piping Connections Tight
- Leak Tested
- Supply Line Pressure "W.C." _____

③ DUCT SYSTEM

SUPPLY AIR DUCT

- Sealed
- Insulated (if necessary)
- Registers Open and Unobstructed

RETURN DUCT

- Sealed
- Filter Installed and Clean
- Grilles Unobstructed

④ INTEGRATED CONTROL

- DIP Switches Set
- Appropriate Links in Place

⑤ VOLTAGE CHECK

- Supply Voltage _____
- Electrical Connections Tight

② INTAKE / EXHAUST PIPE

- All Joints Primed and Glued
- Terminations Installed Properly
- Pipes Supported
- Horizontal Pipes Sloped (if applicable)
- Condensate Trap Primed / Line Sloped
- Heat Cable Installed and Operable (if applicable)

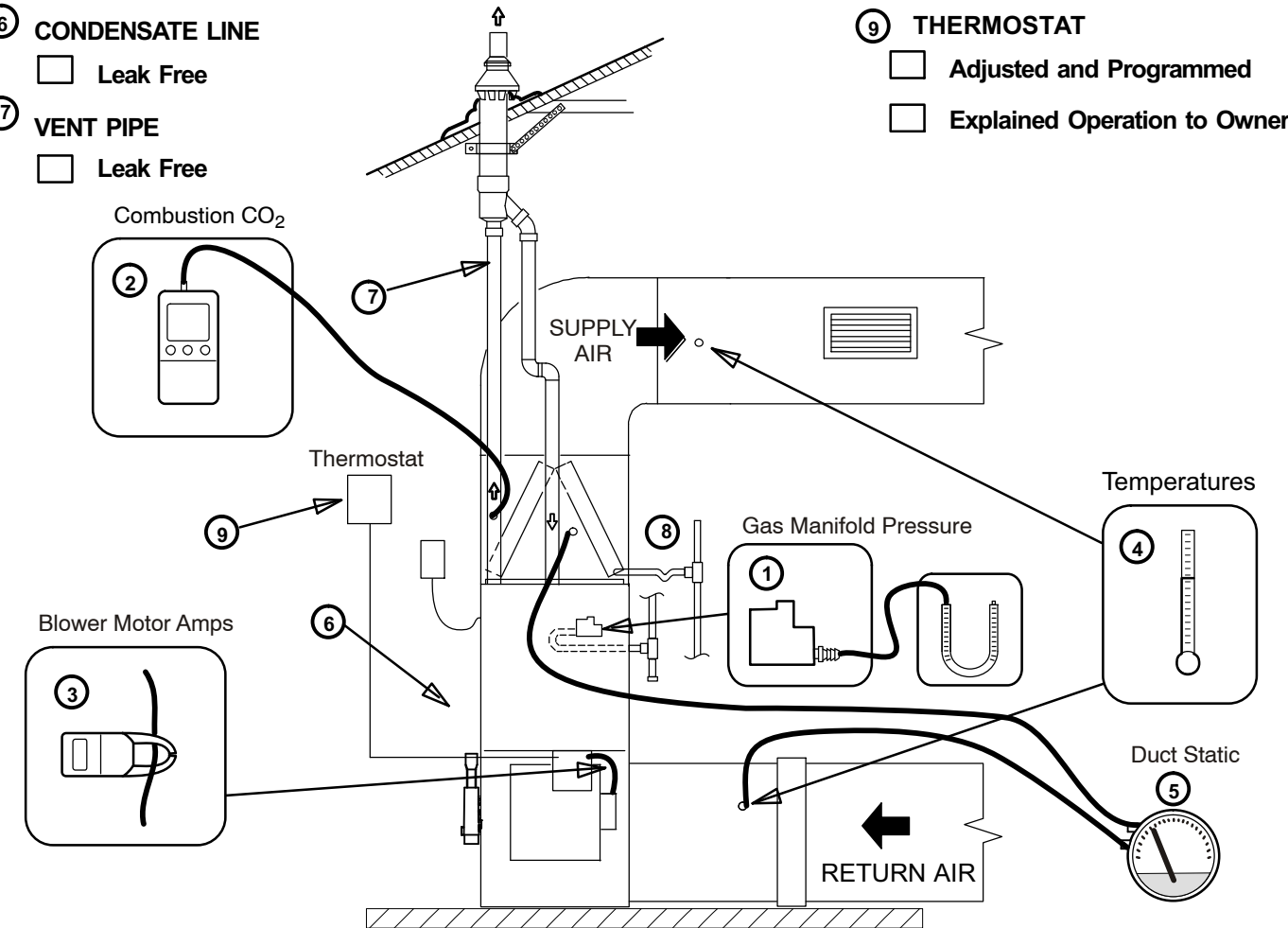
UNIT OPERATION

HEATING MODE

- ① GAS MANIFOLD PRESSURE "W.C." _____
- ② COMBUSTION SAMPLE CO₂% _____ CO PPM _____
- ③ INDOOR BLOWER AMPS _____
- ④ TEMPERATURE RISE
Supply Duct Temperature _____
Return Duct Temperature - _____
Temperature Rise = _____
- ⑤ TOTAL DUCT STATIC
Supply Duct Static _____
Return Duct Static + _____
Total Static = _____
- ⑥ CONDENSATE LINE
 Leak Free
- ⑦ VENT PIPE
 Leak Free

COOLING MODE

- ③ INDOOR BLOWER AMPS _____
- ④ TEMPERATURE DROP
Return Duct Temperature _____
Supply Duct Temperature - _____
Temperature Drop = _____
- ⑤ TOTAL EXTERNAL STATIC (dry coil)
Supply External Static _____
Return External Static + _____
Total External Static = _____
- ⑧ DRAIN LINE
 Leak Free
- ⑨ THERMOSTAT
 Adjusted and Programmed
 Explained Operation to Owner



Contractor's Name _____ Telephone _____ Checklist Completed _____

Job Address _____ Technician's Name _____

506799-01 (07/2011)



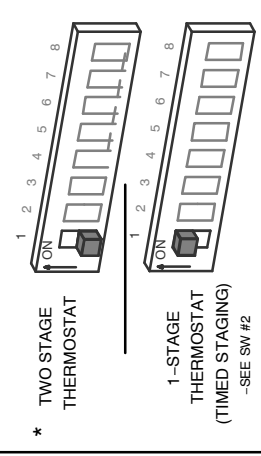


-CUT ON-BOARD LINK (SOLDER TRACE) COMPLETELY THROUGH BOTH LAYERS ON THE CONTROL BOARD
 -LINKS CUT IN ERROR -INSTALL A JUMPER ON THE APPROPRIATE TERMINALS ON THE TERMINAL STRIP

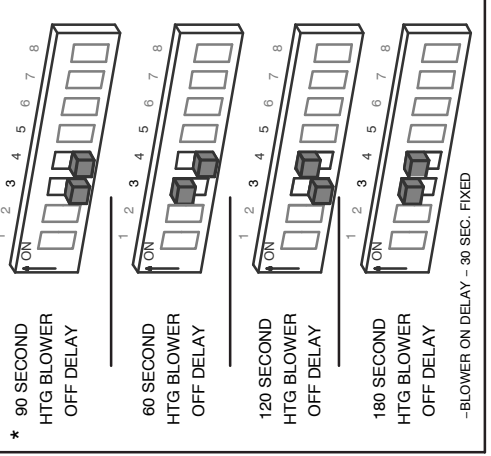
-PROTECTIVE PLASTIC FILM ON DIP SWITCHES MAY BE REMOVED FOR EASE IN SETTING OF DIP SW.

* FACTORY DEFAULT

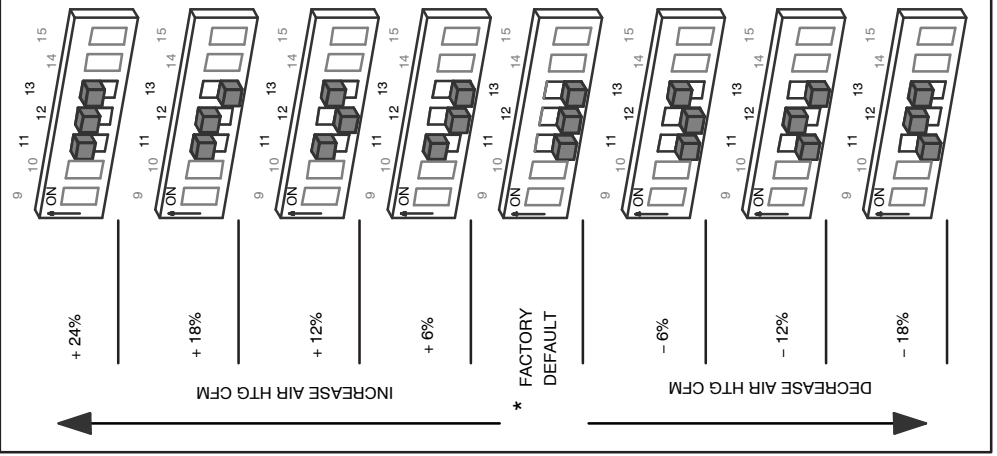
THERMOSTAT SELECTION



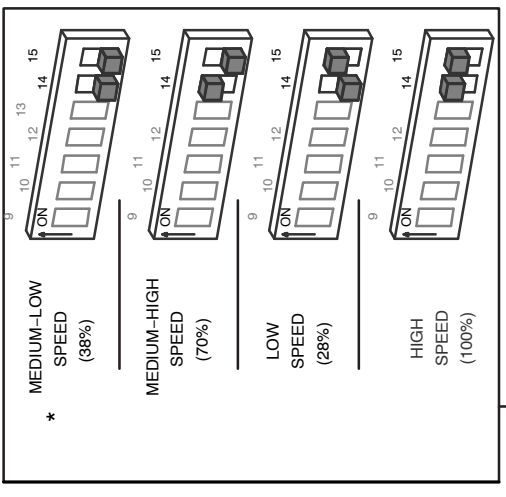
HEATING BLOWER-OFF DELAY



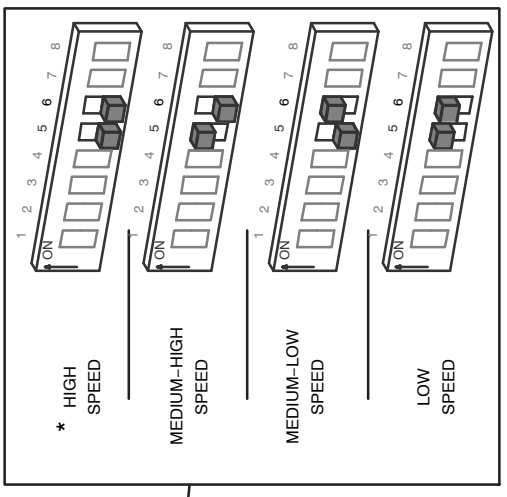
HEATING MODE BLOWER SPEED



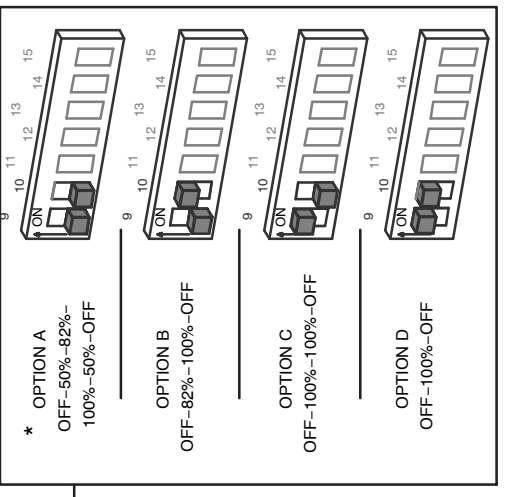
CONTINUOUS FAN MODE BLOWER SPEED



COOLING MODE BLOWER SPEED



COOLING MODE BLOWER RAMPING



ON-BOARD LINK OPTION SELECTION

