

**INSTALLATION INSTRUCTIONS FOR KIT (87W73) USED FOR VENTING OUT OF LEFT CABINET  
SIDE ON 90% EFFICIENCY DOWNFLOW GAS FURNACES**

**⚠ WARNING**

**Improper installation, adjustment, alteration, service or maintenance can cause property damage, personal injury or loss of life. Installation and service must be performed by a licensed professional installer (or equivalent), service agency or the gas supplier.**

**Shipping & Packing List**

Package 1 of 1 contains the following:

- 1 - 2" PVC curved exhaust pipe
- 1 - Seal plate

**Application**

The downflow furnace is shipped with exhaust / air intake connection at the top cap. See figure 1. Using the parts provided in kit 87W73, the furnace may be field modified to have these connections on the left side of the furnace cabinet.

**Installation**

**⚠ CAUTION**

**As with any mechanical equipment, personal injury can result from contact with sharp sheet metal edges. Be careful when you handle this equipment.**

- 1 - Remove inner blower access panel.
- 2 - Loosen hose clamps which attach rubber fittings to the white PVC pipes inside the vestibule area. See figure 1.
- 3 - Loosen the clamp which secures the pipes at the blower deck. See figure 1.
- 4 - Remove white PVC pipes, slide up and out through the top cap.
- 5 - Remove the black plastic fitting in top cap which previously aligned the PVC pipes.
- 6 - Remove the sheet metal patch plate on the left side of the cabinet which covers the openings for left side venting option. Save screws for reuse.

**NOTE** - Exhaust pipe length fits largest cabinet size. Pipe length may be trimmed **external** to the cabinet to accommodate smaller cabinet size.

**NOTE** - Air intake and exhaust pipes must be removed for indoor blower servicing. Insure that adequate clearance and installation flexibility is provided. If local codes allow, use no hub fittings external to the cabinet.

**⚠ WARNING**

**Do not cut, splice or field fabricate curved exhaust pipe inside the blower compartment. Replace with PN 103413-01 (Kit 87W73).**

- 7 - Re-use the patch plate to cover the hole in the top cap. See figure 2. Remove the 2 screws which secure the top cap to the furnace on the right side and re-install securing the right edge of the patch plate and the right side of the top cap to the furnace. Use 2 self-drilling sheet metal screws (provided) to finish securing the left edge of the patch plate on the left side.
- 8 - Use a utility knife to cut out the cabinet insulation for the left side exhaust / air intake.
- 9 - Carefully snap the seal plate in place of the patch plate on the exterior of the cabinet as shown in figure 4.
- 10 - Install a field provided 2" PVC intake air pipe in place of the air intake pipe removed. Connect to the rubber fitting below. Once the pipe is properly positioned, tighten the hose clamp. Slide another piece of field provided 2" PVC pipe through seal plate and connect to the first piece with a field provided 90 degree elbow. See figure 3.
- 11 - Install the provided 2" PVC curved exhaust pipe through the seal plate on the side of the cabinet as shown in figure 4. Connect to the rubber fitting below. Once the pipe is properly positioned, tighten the hose clamp.
- 12 - Tighten the pipe clamp (from step 3) at the blower deck to secure pipes.
- 13 - Refer to unit installation instruction for proper venting procedures. Figures 5 and 6 show more detail.

**NOTE** - The curved exhaust pipe must be included in the elbow count as one 90° elbow. If transitioning to 3" PVC pipe, this configuration equates to 20' of equivalent vent length for all models. See figure 6.

**⚠ WARNING**

Failure to install and secure exhaust pipe can cause gas fumes to be pulled into the blower compartment. Gas fumes, which could contain carbon monoxide, can be drawn into living space resulting in personal injury or death.

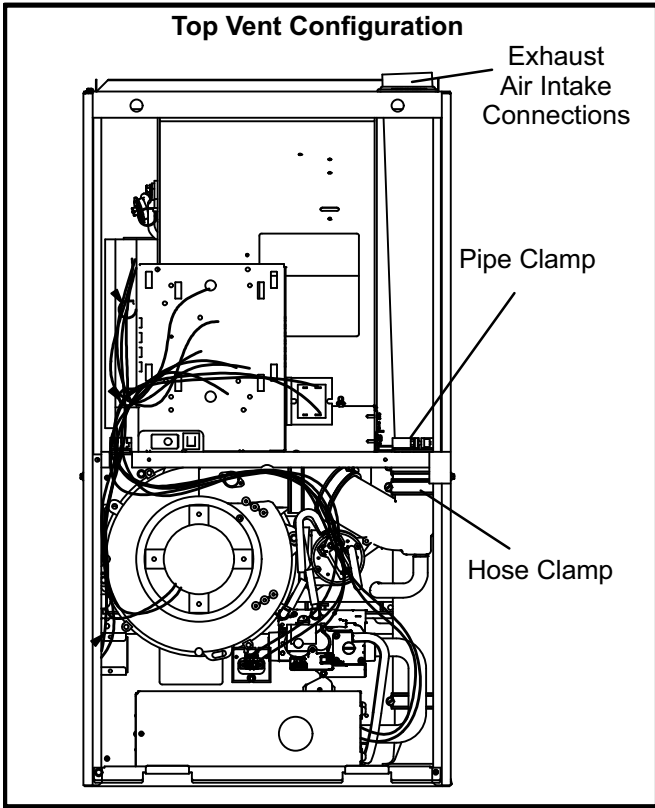


FIGURE 1

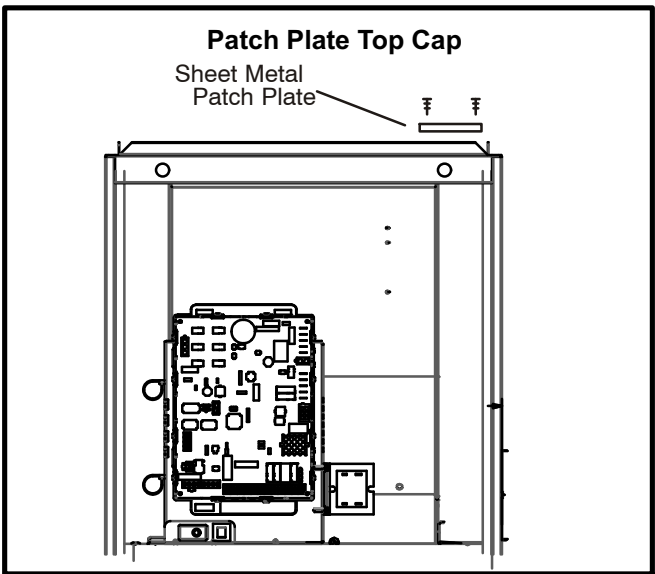


FIGURE 2

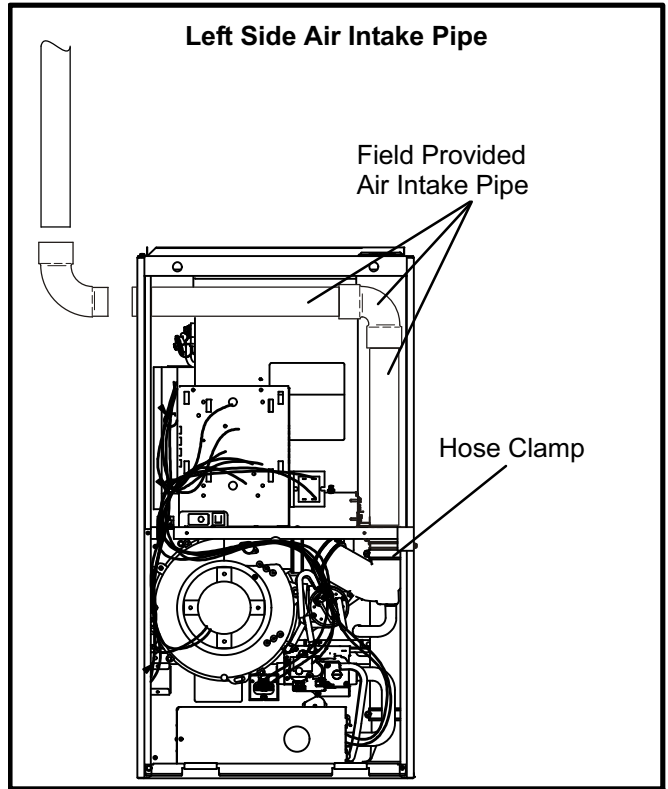


FIGURE 3

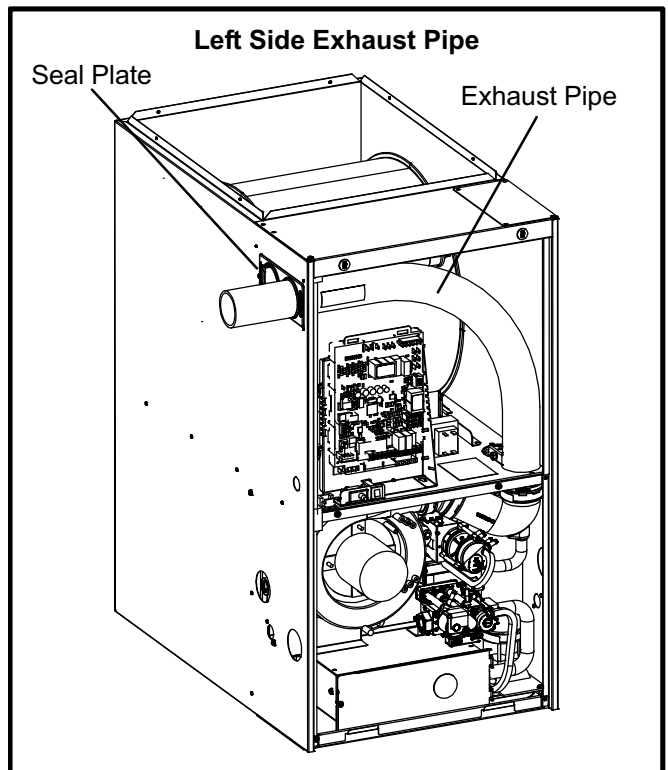


FIGURE 4

### Left Side Vent Option Air Intake Pipe

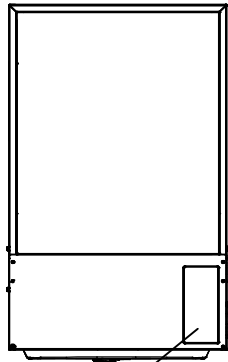
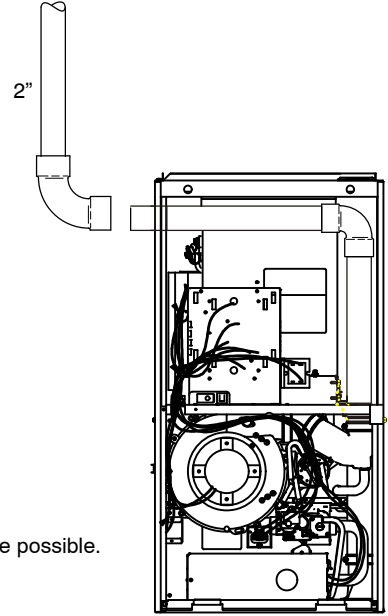
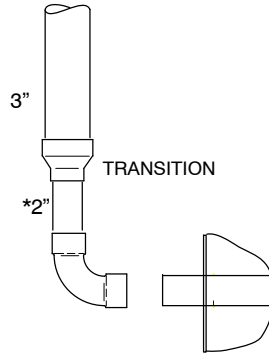


Plate  
(Furnished)

TOP VIEW



\* When transitioning up in pipe size, use the shortest length of 2" PVC pipe possible.  
NOTE Intake pipe and exhaust pipe must be the same diameter.

**NOTE -Air intake and exhaust pipes must be removed for indoor blower servicing.  
Insure that adequate clearance and installation flexibility is provided.**

FIGURE 5

### Left Side Vent Option Exhaust Pipe

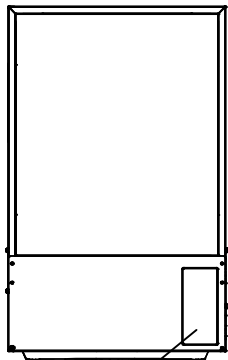
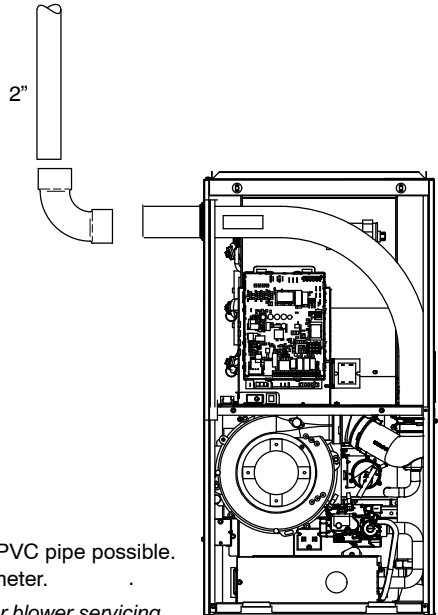
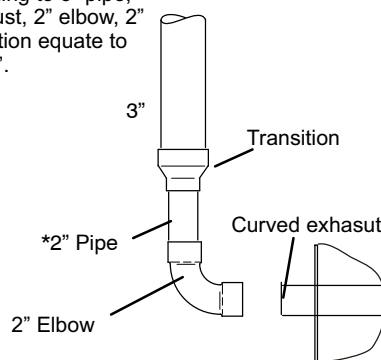


Plate  
(Furnished)

TOP VIEW

When transitioning to 3" pipe,  
the curved exhaust, 2" elbow, 2"  
pipe and transition equate to  
20'.



\* When transitioning up in pipe size, use the shortest length of 2" PVC pipe possible.  
NOTE Intake pipe and exhaust pipe must be the same diameter.

**NOTE -Air intake and exhaust pipes must be removed for indoor blower servicing.  
Insure that adequate clearance and installation flexibility is provided.**

FIGURE 6