

506906-01  
10/2011

# SUPPLEMENT

## SUPPLEMENT TO KHA024-240 UNIT INSTALLATION INSTRUCTIONS

This unit may contain either a 100269-02 or a 100269-04 CMC1 defrost control board. The function of the defrost timing jumper and compressor delay jumper are different depending on which board is installed. See figure 1 for the location of the board part number, defrost timing jumper and compressor delay jumper.

100269-02

The defrost timing jumper is set at **60 minutes**.

The compressor delay jumper is **installed** at the factory to disable the compressor delay.

100269-04

The defrost timing jumper is set at **90 minutes**.

The compressor delay jumper is **removed** at the factory to disable the compressor delay.

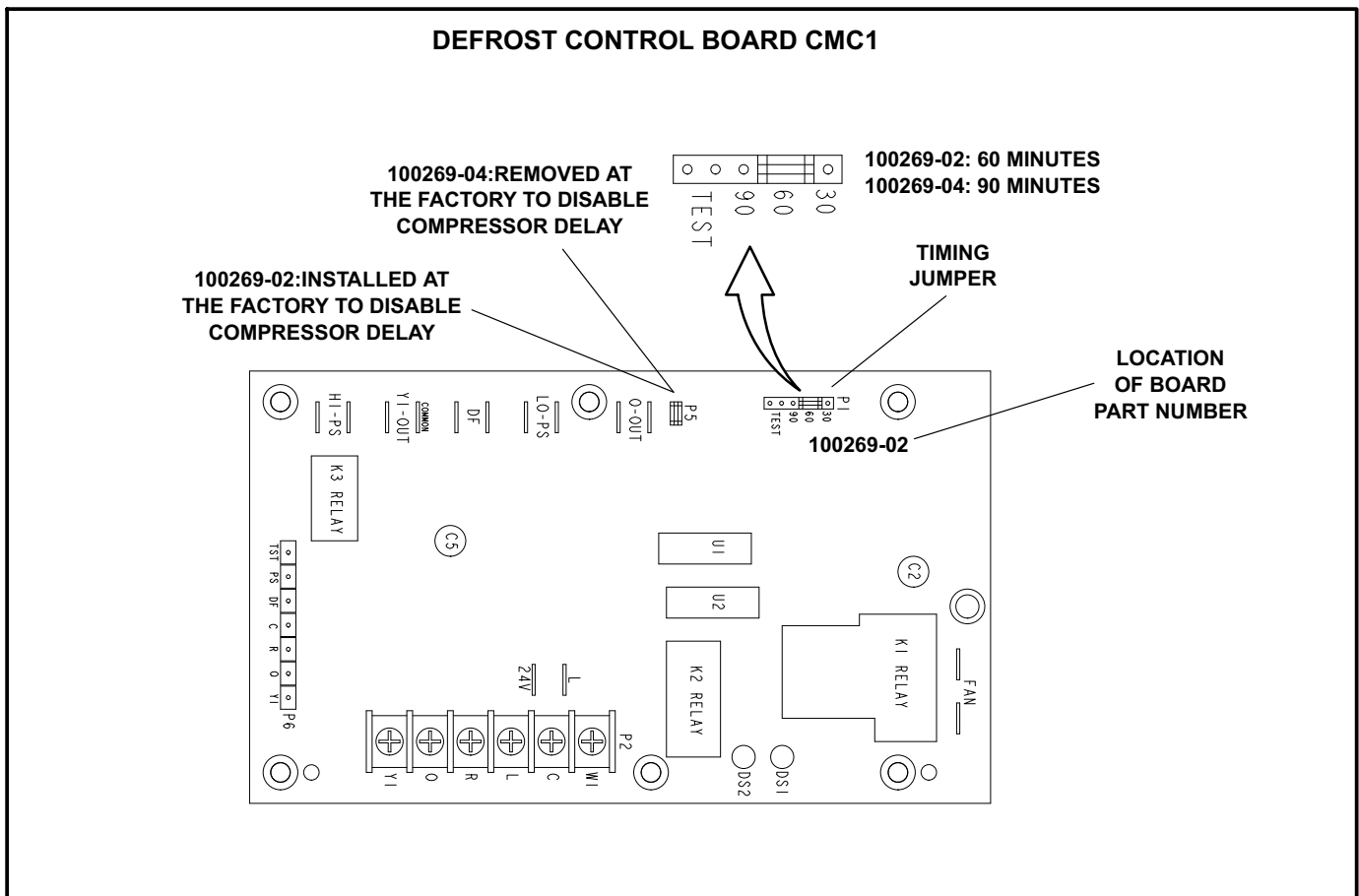


FIGURE 1

