

INSTALLATION INSTRUCTIONS FOR REPLACEMENT COMBUSTION AIR INDUCER KITS FOR USE ON 80% EFFICIENCY SINGLE-STAGE 50Hz GAS FURNACES

Shipping & Packing List

Package 1 of 1 contains the following:

- 1 - Single-stage combustion air inducer (CAI) assembly
- 1 - Replacement gasket
- 4 - #8-18-1/2" screws
- 1 - 9" length of tubing

Application

Use kit 93W09 to replace the combustion air inducer in 80% efficiency upflow/horizontal 50Hz gas furnaces.

Installation

⚠ WARNING

**Disconnect power before servicing unit.
Shut off main gas supplies to appliance until installation is complete.**

⚠ WARNING

Improper installation, adjustment, alteration, service or maintenance can cause property damage, personal injury or loss of life. Installation and service must be performed by a licensed professional installer (or equivalent), service agency or the gas supplier.

⚠ CAUTION

As with any mechanical equipment, personal injury can result from contact with sharp sheet metal edges. Be careful when you handle this equipment.

- 1 - Turn off the electrical power and gas supply to the furnace.
- 2 - Remove the flue pipe and top cap.
- 3 - Disconnect the wires from the existing combustion air inducer motor from the integrated control.
- 4 - Disconnect the pressure switch tubing from the pressure tap or barb fitting located on the inducer housing.
- 5 - Remove the four securing screws (figure 1) that secure the combustion air inducer to the flue collector box. Remove the inducer from the furnace.
- 6 - Remove the flue transition from the existing inducer and install it on the replacement inducer.
- 7 - Replace the gasket between the replacement inducer and orifice plate with the provide gasket.
- 8 - Use the four provided screws to secure the replacement inducer to the flue collector box.
- 9 - Reconnect the provided tubing to the pressure tap or barbed fitting on the inducer housing and the pressure switch. If necessary, cut to length using the existing tubing as a measurement.
- 10 - Reconnect the wires from the replacement inducer to the integrated control.
- 11 - Reinstall the cabinet top cap and access panel.
- 13 - Reconnect the vent connector or vent pipe to the flue transition.
- 14 - Restore the electrical power and gas supply to the furnace. Initiate a call for heat and check that the furnace is operating properly.
- 15 - See the unit installation instructions for the start-up procedure.



50Hz Combustion Air Inducer

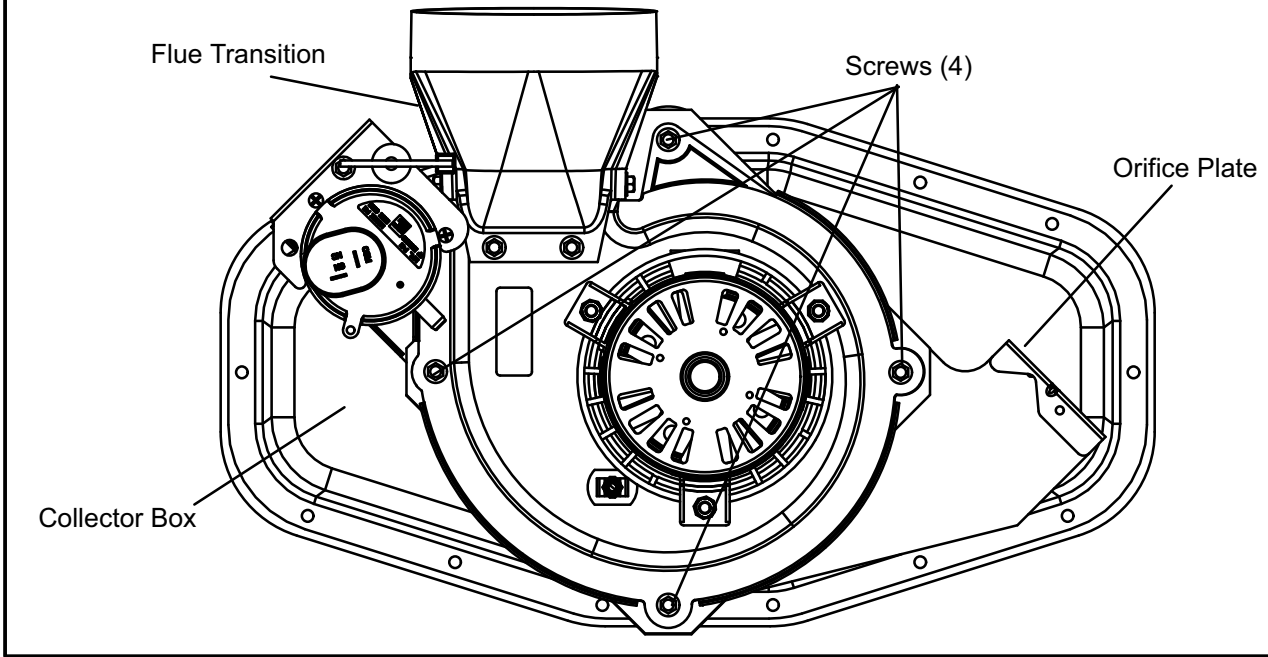


FIGURE 1