



©2017 Lennox Industries Inc.
Dallas, Texas, USA



THIS MANUAL MUST BE LEFT WITH THE OWNER FOR FUTURE REFERENCE

These instructions are intended as a general guide and do not supersede local codes in any way. Consult authorities having jurisdiction before installation.

⚠ WARNING

Improper installation, adjustment, alteration, service or maintenance can cause property damage, personal injury or loss of life.

Installation and service must be performed by a licensed professional HVAC installer, service agency or the gas supplier.

Failure to follow safety warnings and these instructions exactly could result in property damage, dangerous operation, serious injury, or death.

Any additions, changes, or conversions required in order for the appliance to satisfactorily meet the application needs must be made by a licensed professional HVAC installer (or equivalent) using factory-specified parts.

Do not use this system if any part has been under water. A flood-damaged appliance is extremely dangerous. Immediately call a licensed professional HVAC service technician (or equivalent) to inspect the system and to replace all controls and electrical parts that have been wet, or to replace the system, if deemed necessary.

The State of California has determined that this product may contain or produce a chemical or chemicals, in very low doses, which may cause serious illness or death. It may also cause cancer, birth defects, or reproductive harm.

⚠ CAUTION

As with any mechanical equipment, contact with sharp sheet metal edges can result in personal injury. Take care while handling this equipment and wear gloves and protective clothing.

NOTE - VOSA054 and VOSA072 units have special wiring and piping considerations, see page 17.

INSTALLATION INSTRUCTION

VOSA Outdoor Air Units

VRF SYSTEMS -- Indoor Units
507447-01
03/2017

⚠ IMPORTANT

The Clean Air Act of 1990 bans the intentional venting of refrigerant (CFC's and HCFC's) as of July 1, 1992. Approved methods of recovery, recycling or reclaiming must be followed. Fines and/or incarceration may be levied for non-compliance.

General

The VOSA dedicated outdoor air concealed ducted indoor units are matched with an outdoor heat pump unit (excluding Mini-VRF) to create a VRF (variable refrigerant flow) system that uses HFC-410A refrigerant. Refer to the Product Specification bulletin (EHB) for the proper use of these indoor units with specific heat pumps, heat recovery units, mode switching devices, branch pipes, line sets and controls.

Shipping and Packing List

Check the components for shipping damage. If you find any damage, immediately contact the last carrier.

Package 1 of 1 contains the following:

1 - Assembled dedicated outdoor air concealed ducted unit

Refrigerant piping insulation sleeves

2 - VOSA036 and VOSA048

4 - VOSA054 and VOSA072

1 - Flexible condensate connector (VOSA036-048)

1 - Hose clamp (VOSA036-048)

1 - Condensate connection pipe (VOSA054-072)

1 - Roll tape for condensate pipe (VOSA054-072)

1 - Branch pipe kit (VOSA054-096)

Flare Nuts

1 - VOSA036-048

2 - VOSA054-096

2 - Connector for electronic expansion valves and liquid lines (VOSA054-072)

1 - Resistor

1 - Installation manual

Safety Requirements

⚠ WARNING

ELECTRICAL SHOCK, FIRE, OR EXPLOSION HAZARD.

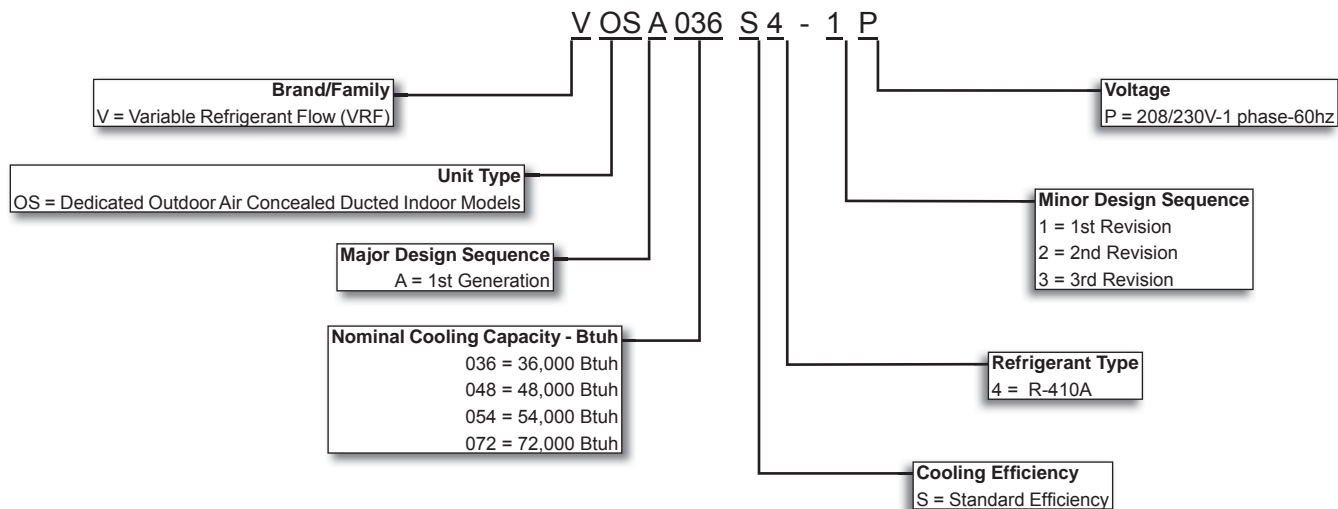
Do not touch the unit or the controller if your hands are wet.

DO NOT spray water on the indoor unit for any reason.

Do not replace a fuse with a fuse of a different rating. Do not use a jumper wire to replace a fuse. Do not insert your hands, tools or any other item into the air intake or air outlet at either the indoor or outdoor unit.

Do not allow children to operate the system.

Model Number Identification



System Piping

⚠ CAUTION

VRF system piping is customized for each installation. The LVSS piping report is an engineered design that must be followed. The piping diagram or diagrams included within the LVSS report have been prepared based on the information provided to the Lennox VRF applications department.

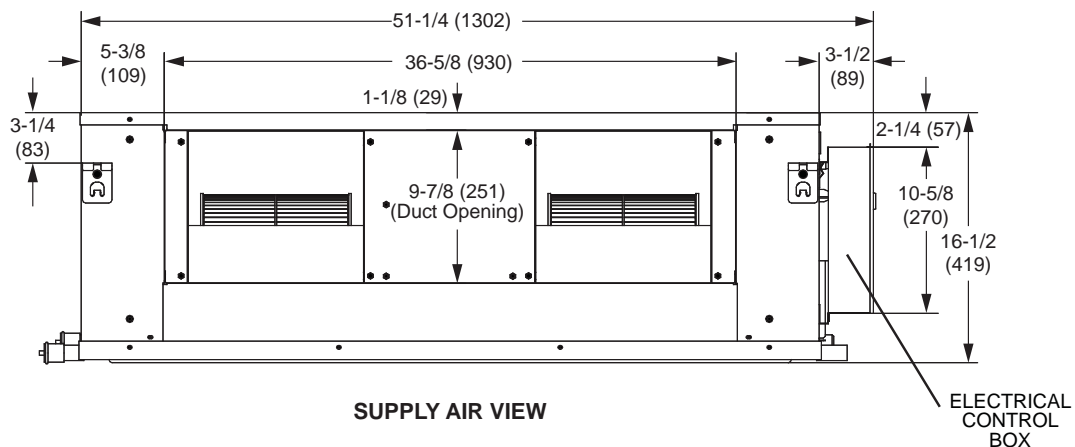
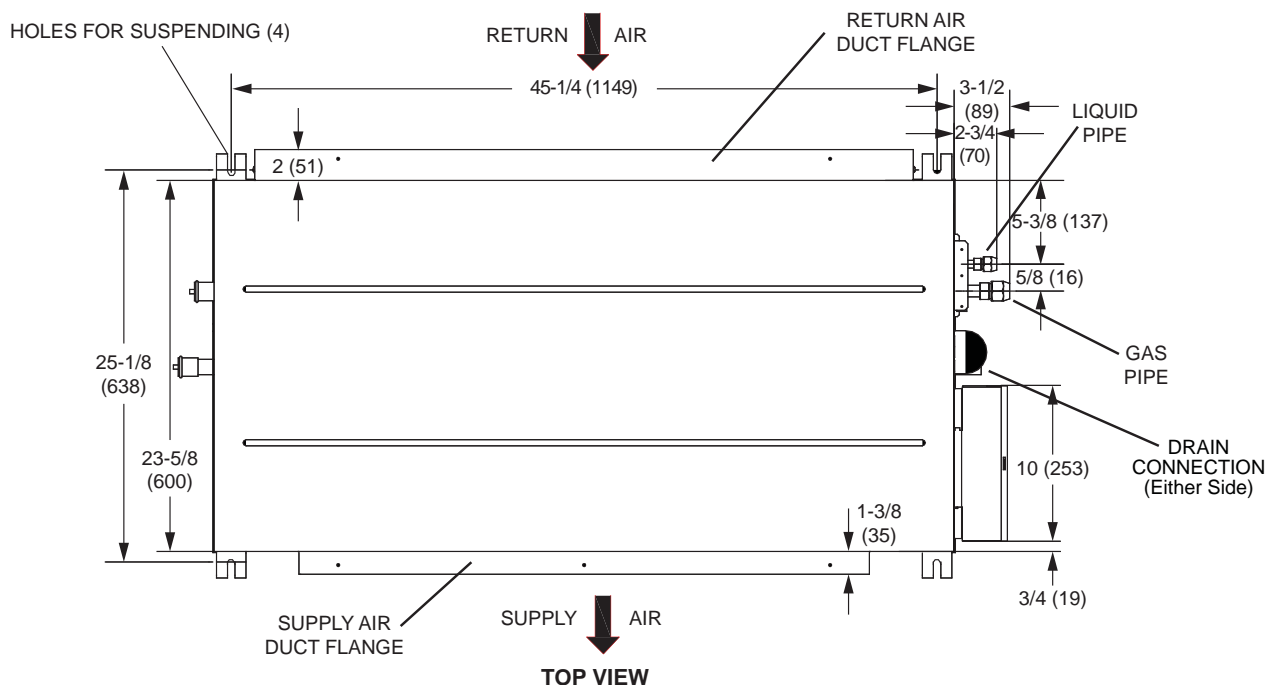
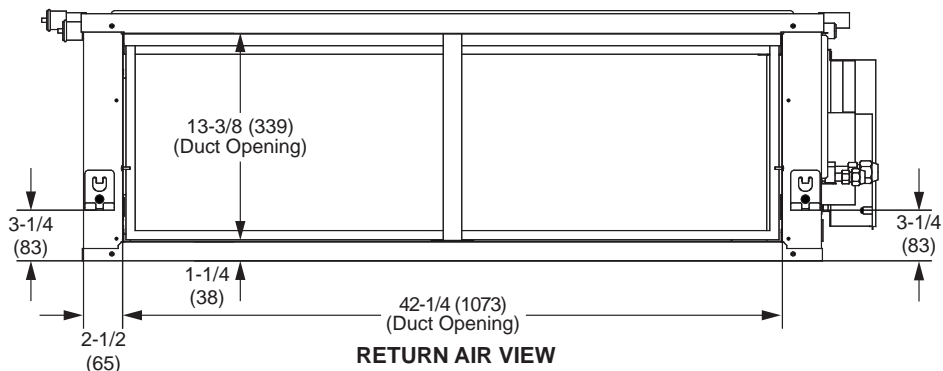
When the indicated lengths change from the figures stated within the report, it is imperative that prior to the commencement of the refrigerant pipe work installation, Lennox VRF applications department are informed of these proposed changes.

Upon receipt of this new information the Lennox VRF applications department will confirm any changes that may be applicable to this installation. If changes are required, a new piping diagram will be produced and will supersede all other previously provided documents.

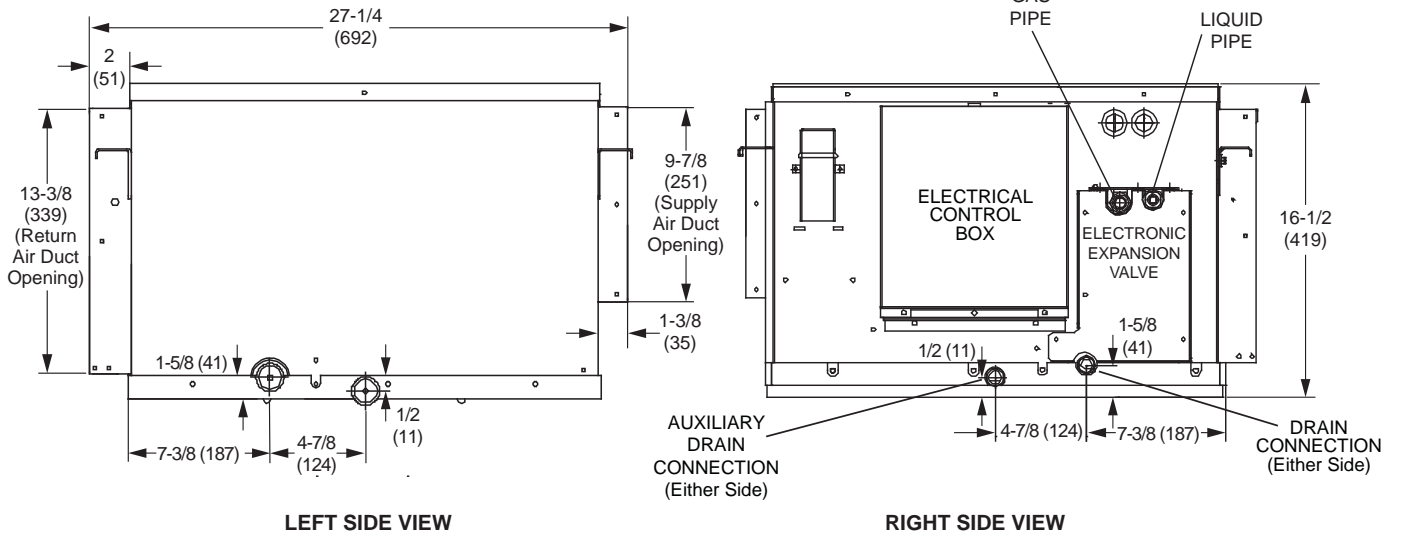
Failure to provide this information regarding changes to the original design may lead to insufficient capacity, equipment failure, warranty being made void and the refusal to commission the system.

Unit Dimensions - Inches (mm)

VOSA036S4, VOSA048S4

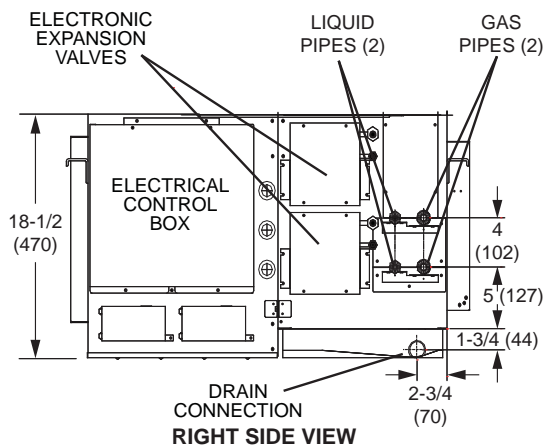
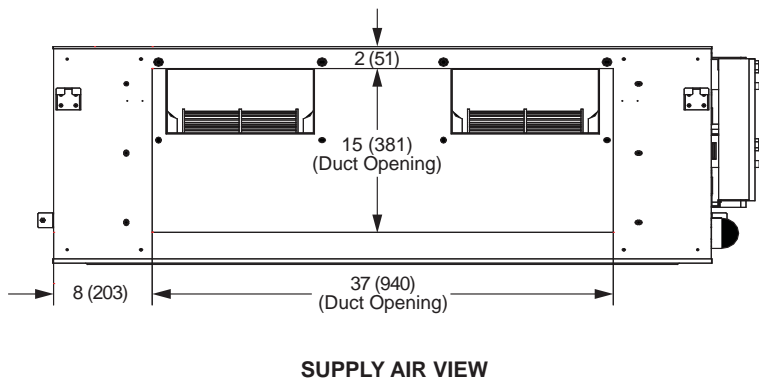
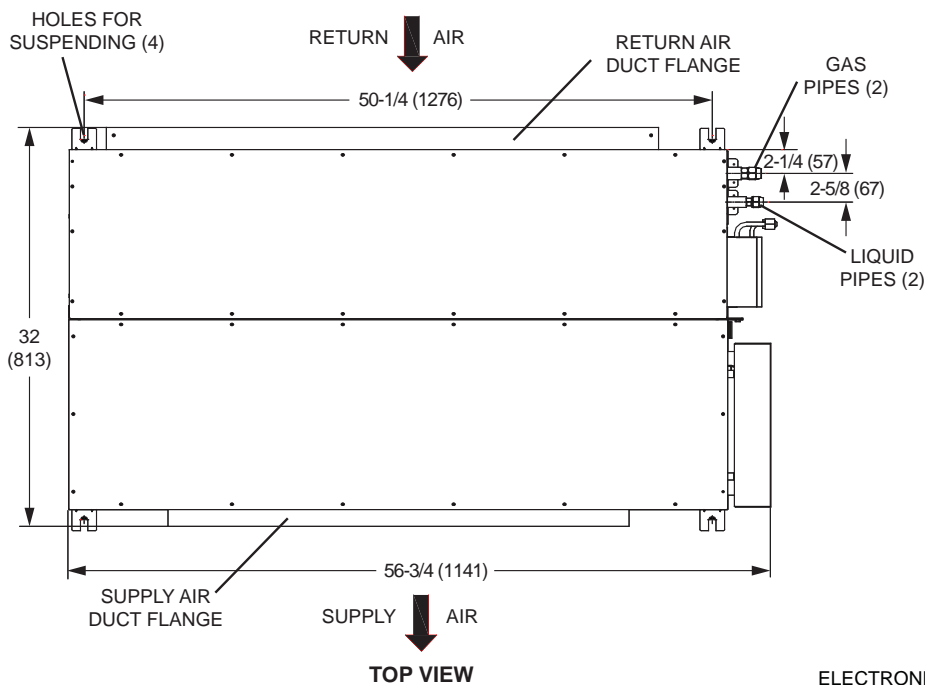
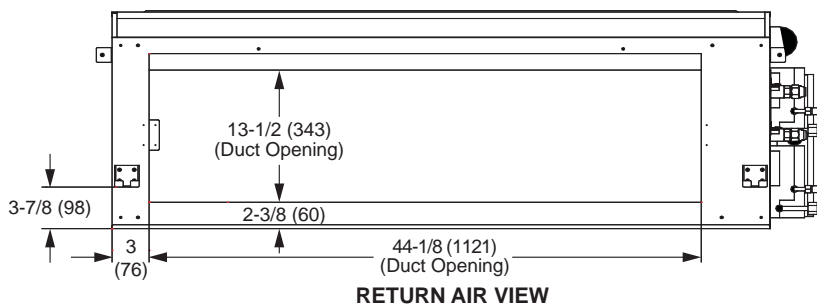


VOSA036S4, VOSA048S4



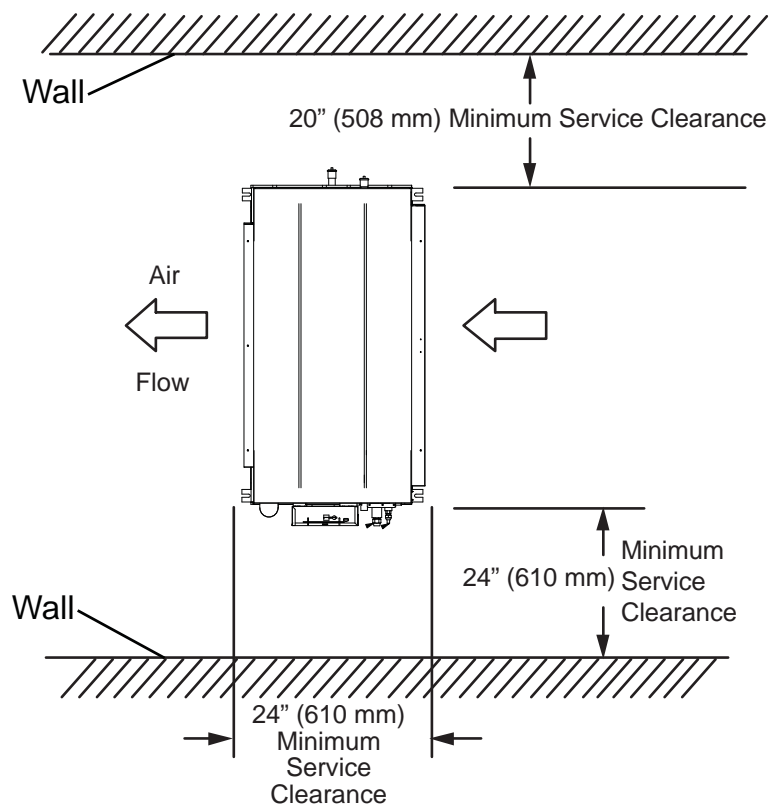
Unit Dimensions - Inches (mm)

VOSA054S4, VOSA072S4

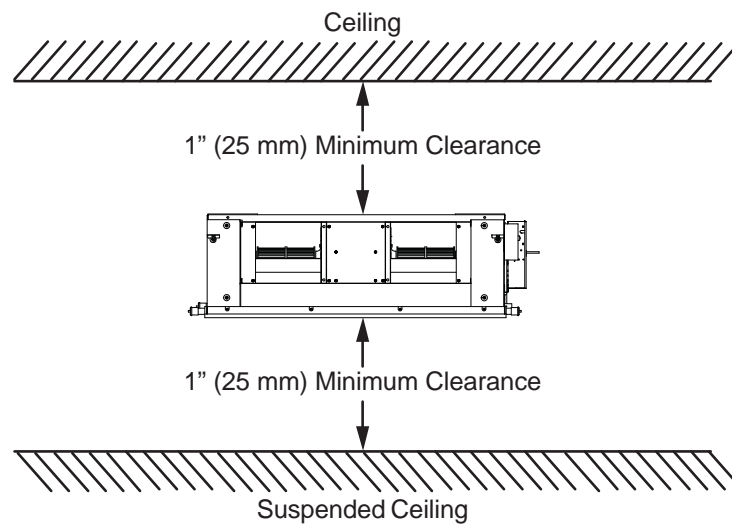


Clearances

Refer to figure 1 for minimum clearance requirements.



TOP VIEW



FRONT VIEW

NOTE - No part of the suspended ceiling, or other supports not directly associated with the indoor unit installation, can be fixed to, or touch the indoor unit, in any form. Minimum clearances must be observed at all times.

Figure 1. Minimum Installation Clearances

WARNING

Use the provided and specified components when installing equipment. Failure to do so may result in unit falling, water leaking or electrical shocks, causing personal injury or equipment or property damage.

Check stability of wall, floor, or ceiling and unit support. If support is not capable of carrying weight of the unit, unit may fall causing personal injury or equipment damage.

Consider the possibility of earthquakes in your area when installing the equipment. If the unit is not correctly secured, it may fall, causing personal injury or equipment damage.

Safely dispose of packing materials, which include nails, wood and other sharp objects, as well as plastic wrapping. Children playing with plastic wrap or bags risk the danger of suffocation.

CAUTION

Do not place items which may be damaged by water under or around the indoor unit.

The unit should be installed at least 8 feet above the floor (if possible) to ensure maximum performance and comfort, when installed in the horizontal position only.

AVOID

Do not install the unit in the following locations:

- Areas exposed to petrochemicals or petrochemical products
- Areas exposed to salt or other corrosive materials or caustic gasses
- Areas exposed to extreme voltage variations (such as factories)
- Tightly enclosed areas that may impede service of the unit
- Areas exposed to fossil fuels (such as oil or gas in kitchens)
- Areas exposed to strong electromagnetic forces
- Areas exposed to acids or alkaline detergents (laundry rooms)

DO:

- Locate the unit so that it is not exposed to direct sunlight
- Ensure the structural ceiling can support the weight of the unit.
- Select a location where condensate line will have the shortest run to a suitable drain per local codes.
- Allow sufficient space around unit for proper operation and maintenance
- Install unit a minimum of 3 feet away from any antenna, power cord (line) radio, telephone, security system, or intercom. Electrical interference and radio frequencies from any of these sources may affect operation

Installation

It is important to locate the unit where it can be accessed for service in the future. Refer to unit dimensions on Page 3 for exact locations of suspension brackets, return air and supply air openings.

1. **Make sure that the structural ceiling or slab is able to support the weight of the indoor unit. It may be necessary to add extra support.**
2. Install suspension rods in the structural ceiling or concrete slab in a suitable location. If the structural ceiling is constructed of concrete, install anchors to accept four $\frac{3}{8}$ " threaded rods to suspend the indoor unit. If the structural ceiling includes wooden joists, use angle iron or Unistrut channel fixed securely in place to accept the $\frac{3}{8}$ " threaded rods. **NOTE - Threaded rod (requirement of Lennox warranty program) is the ONLY acceptable method of suspending the unit; do not use chains or straps.** See figure 2.

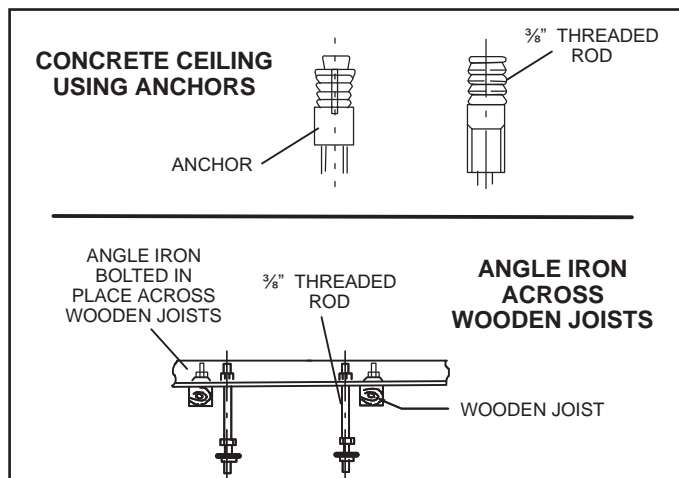


Figure 2. Suspending Methods

3. Slide one nut and one washer onto each threaded rod. Use electrical tape to keep the washer from falling off. Position the nuts slightly above the final resting place of the four suspension brackets. See figure 3.

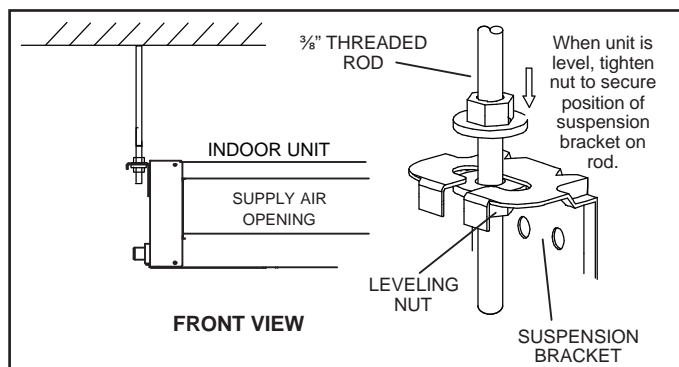


Figure 3. Suspension Hardware

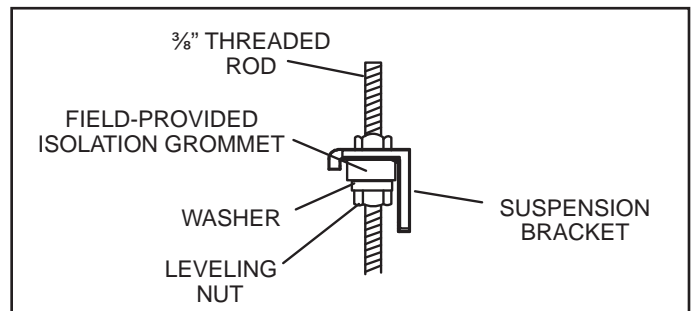


Figure 4. Isolation Grommet

4. Use either a mechanical lifting device or a minimum of two people to raise the unit and insert the threaded rods into the suspension brackets on the cassette base. Slide a washer and then a nut onto each rod below each suspension bracket. Use the leveling nut (beneath suspension bracket) to adjust the unit to the correct height. Remove the electrical tape holding the upper washers and nuts in place and tighten each of the four nuts above the brackets down onto the brackets. This will ensure that the unit remains level.
5. If necessary, install a field-provided isolation grommet as shown in figure 4 to prevent transmission of vibration from unit to structural ceiling.
6. If the unit is being installed in an application that includes a sheet rock (plasterboard) ceiling, it is required that an access panel be installed in a suitable location. This will also allow access for future maintenance (requirement of Lennox warranty program). Access is required during the commissioning process to test the condensate disposal system (See figures 10, 11 and 12), to check the electronic expansion valve and associated flare nuts (See figure 5), and to check the local disconnect.
7. The unit is factory-configured for the supply air to be delivered from the front and the return air filter at the rear of the unit.

INSTALLATION GUIDELINES

- Install a field-provided isolation grommet as shown in figure 4 to prevent transmission of vibration from unit to structural ceiling.
- Provide separate support for the weight of the duct system. Duct system must not be supported by the indoor unit.
- Use flexible joints (canvas) at the point where the duct connects to the unit on both ends. Material must meet all local and national code requirements.
- When unit is being installed in a location where even the slightest noise would be a problem (meeting room or other very quiet space), design duct system to avoid transmission of vibration to the structure to the extent possible.

Refrigerant Piping Connections

⚠ WARNING

Refrigerant leaks are unlikely; however, if a refrigerant leak occurs, open a door or windows to dilute the refrigerant in the room. Turn off the unit and all other appliances that may cause a spark. Call a licensed professional HVAC technician (or equivalent) to repair the leak.

Use only R410A refrigerant to charge this system. Use of other refrigerant or gas will damage the equipment.

Do not allow air or other contaminants to enter system during installation of refrigerant piping. Contaminants will result in lower system capacity and abnormally high operating pressures and may result in system failure or explosion.

Insulate all refrigerant piping.

Refrigerant pipes may be very hot during unit operation. Do not allow contact between wiring and bare copper pipes.

After refrigerant piping connections have been completed, check the system for leaks per commissioning instructions.

NOTE - See page 21 for additional piping instructions for VOSA054 and 072 units.

Field piping consists of two copper lines connected to the indoor unit. Table 1 lists the connection sizes at the indoor unit. The connections are made using the provided brass flare nuts at the end of the refrigerant piping connections.

Both lines must be individually insulated.

NOTE - Always slide a flare nut onto the field-provided refrigerant piping before flaring the lines.

1. The seal on the unit refrigerant piping connections should remain in place until the last possible moment. This will prevent dust or water from getting into the refrigerant piping before it is connected.
2. Slowly loosen one of the flare nuts to release the factory nitrogen charge.
3. Remove the flare nuts and discard the seal from each of the piping connections.
4. Slide the flare nuts onto the ends of the field-provided refrigerant piping before using a suitable flaring tool to flare the end of the copper pipe.

⚠ IMPORTANT

The compressor in this unit contains PVE oil (Polyvinylether). PVE oil is formulated for hydrofluorocarbon (HFC) refrigerants, such as R-410a, which this system contains. While it may have some miscibility properties with mineral-based oil and POE oil (Polyolester), it is not recommended to mix PVE oil with any other type of refrigerant oil.

5. Apply recommended HFC-410A refrigerant lubricant to the outside of the field-provided flared line sets (figure 5 -- A).
6. Align the union tube and flared refrigerant lines with each other, then tighten the flare nuts lightly at first to obtain a smooth match (figure 5 -- B).

Table 1. Refrigerant Piping Connections

System Size (Btuh)	Liquid Line	Vapor Line
36000 48000	3/8"	5/8"
54000 72000	3/8" (2)	5/8" (2)

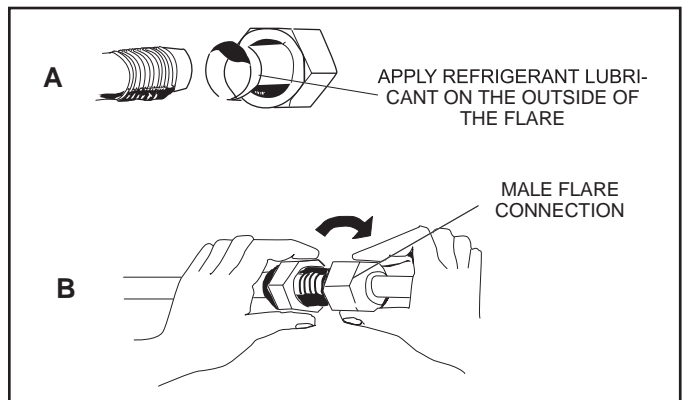


Figure 5. Making Connections at Indoor Unit (Male to Female Connection)

7. Once snug, continue another half-turn on each nut which should create a leak-free joint. A torque wrench may be used to tighten flare nuts using Table 2 recommendations. See figure 6. Do not over-tighten a flared joint.

⚠ IMPORTANT

Always use two wrenches when tightening flare nuts to avoid twisting refrigerant piping. DO NOT over-tighten flare nuts.

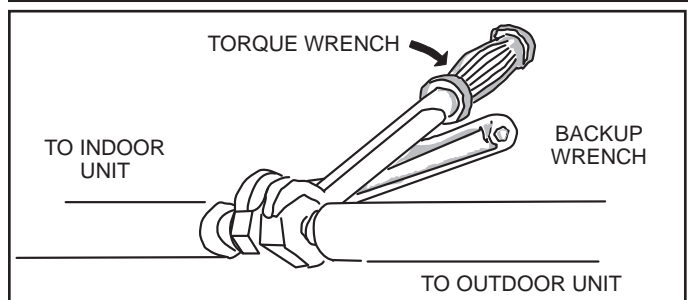


Figure 6. Tighten Flare Nut

8. Flared connections should always be accessible and must be insulated to prevent condensation. See figure 7.

Table 2. Flare Nut Torque Recommendations

Outside Diameter	Recommended Torque	No torque wrench available Finger tighten and use an appropriately sized wrench to turn an additional:
Inches	U.S.	
3/8"	26 ft.-lb.	1/2 turn
5/8"	48 ft.-lb.	1 full turn

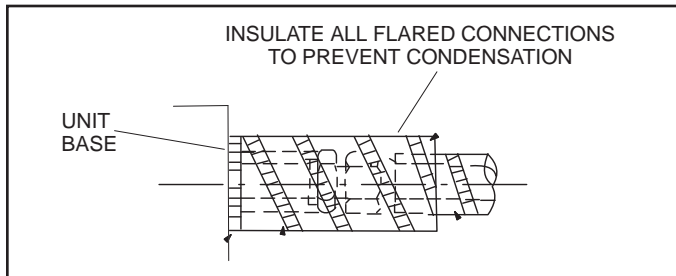


Figure 7. Insulate Flared Connections

9. Locate the pre-formed copper connector pipes provided in the bag assembly (VOSA054-072 only). These pipes are used to connect the unit piping to the electronic expansion valves. Remove the plastic seal from each end of the pipe. See figure 8.
10. Apply a small amount of recommended HFC-410A refrigerant lubricant to the outside of the flared ends of the connector.
11. Immediately align the connector pipe with the identified piping in figures 8 & 9. Hand-tighten the flare nuts at first. Then, use two wrenches to continue to tighten the nuts without twisting the pipes. See figure 6. Torque requirements are given in table 2. **Again, do not over-tighten the flared joints.**
12. After refrigerant piping has been installed and checked for leaks, apply insulation over the connector pipes and all flared connections.

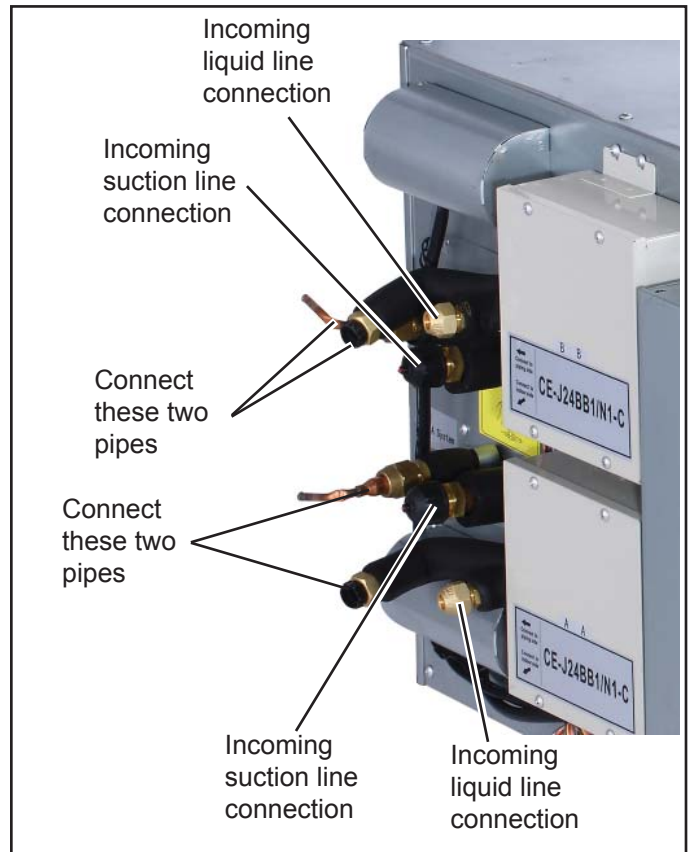


Figure 8. VOSA054/072 Refrigerant Connections

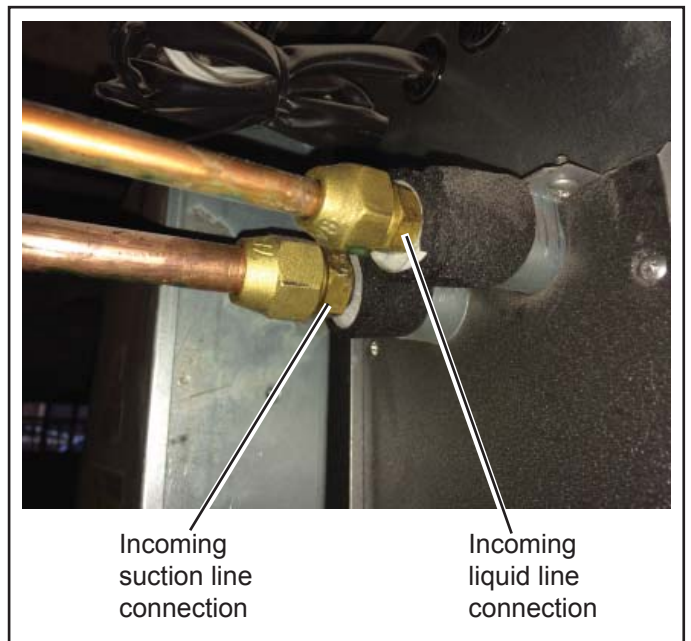


Figure 9. VOSA036/048 Refrigerant Connections

Condensate Piping Connections

⚠ CAUTION

Make sure that drain piping is properly routed and insulated in order to prevent both leaks and condensation. Follow these instructions exactly to ensure proper drainage and unit operation.

1. Use the provided hose clamp to secure the provided flexible condensate drain connector and insulating sleeve to the drain line stub on the side of the indoor unit. See figure 10. **NOTE** - Take care not to over-tighten the hose clamps this may damage the drain line stub.

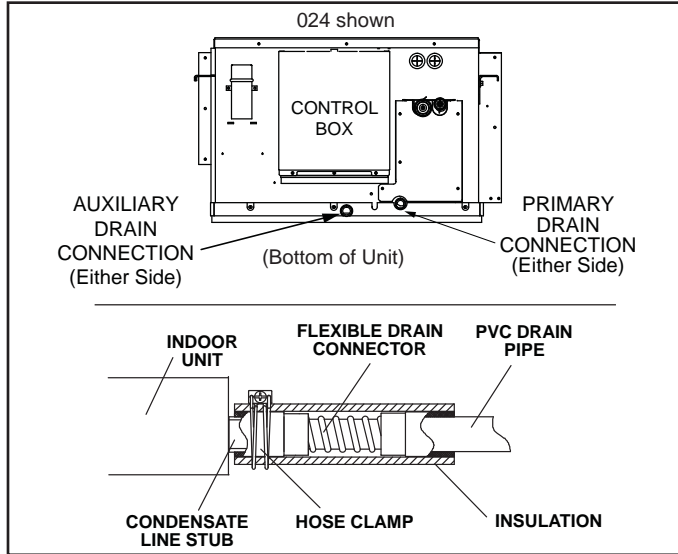


Figure 10. Condensate Drain Connection

⚠ IMPORTANT

You must confirm operation of every drain and pump in the system as part of the commissioning procedure.

2. Make a water-tight connection between the field-provided condensate drain line and the flexible condensate connector (VOSA036-048 5/8" I.D., VOSA054-072 1" I.D.).

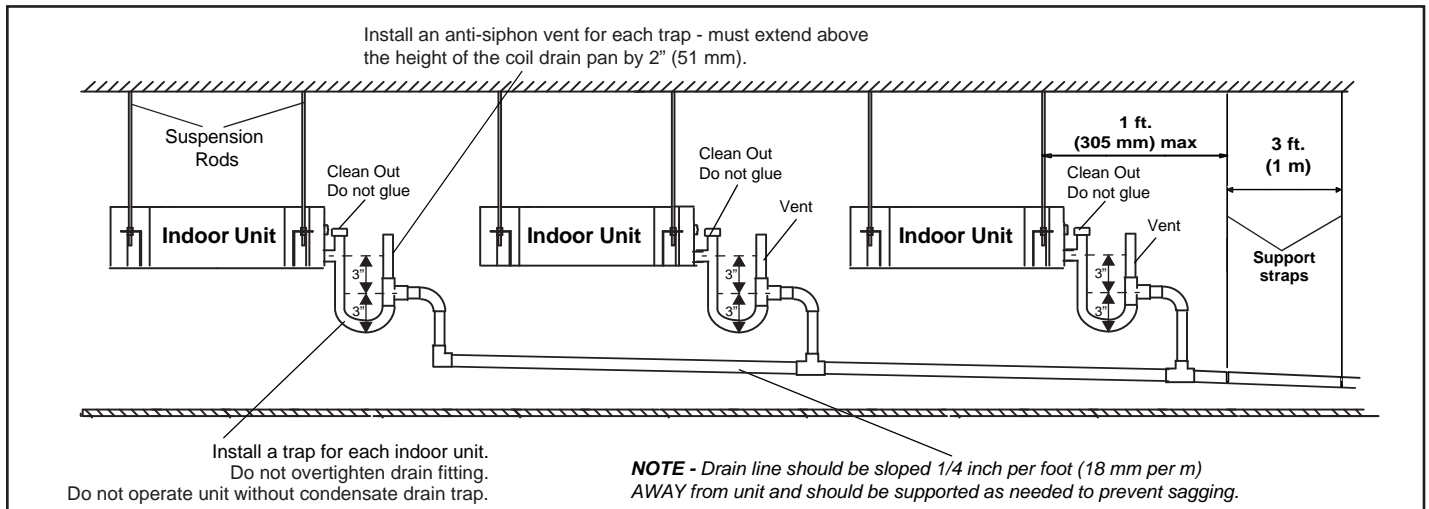


Figure 12. Using a Main Drain to Serve Multiple Indoor Units with Gravity Drains

3. See figure 11 for applications including a single unit and a single drain. In this case, ensure that the drain line is properly sloped (no less than 1/4 inch per foot) and condensate lines are routed to ensure moisture is drained away from the indoor unit.

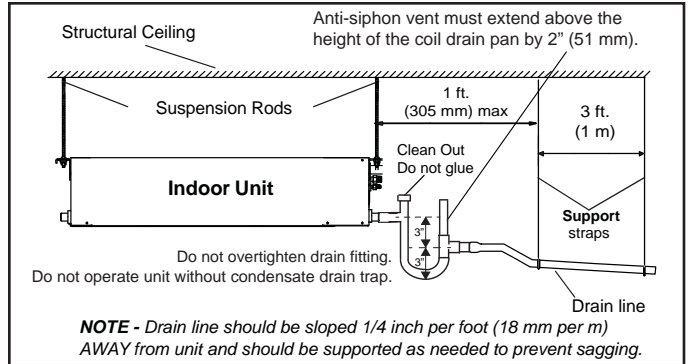


Figure 11. Sloped Condensate Drain -- Single Unit

⚠ IMPORTANT

Drain should have a slope of at least 1/4 inch per foot and should be approved corrosion-resistant pipe.

4. See figure 12 for applications including multiple units and a single drain. In this case, ensure that the drain line is properly sloped (no less than 1/4 inch per foot) and condensate lines are routed to ensure moisture is drained away from the indoor unit.
5. In all cases, drain should be as short as possible and should not have any droops or kinks that would restrict condensate flow and shall be constructed using an approved pipe. All drains should contain traps. **There must be a 2-inch space between the end of the condensate drain and the final termination point (ground, open drain, etc.) to ensure that the line will drain freely.**
6. After system installation is complete, the condensate drain line must be checked for leaks and if a condensate pump has been fitted, it must be checked to ensure proper operation. This check is part of the commissioning procedure.

Wiring Connections

WARNING

Isolate the power supply before accessing unit electrical terminals.

Install unit so that unit disconnect is accessible.

Follow all local and national codes, as well as this installation instruction, during installation. Do NOT overload electrical circuit, as this may lead to failure and possible fire.

Use specified wiring and cable to make electrical connections. Clamp cables securely and make sure that connections are tight to avoid strain on wiring. Insecure wiring connections may result in equipment failure and risk of fire.

Wiring must be installed so that all cover plates can be securely closed.

CAUTION

This unit must be properly grounded and protected by a circuit breaker. The ground wire for the unit must not be connected to a gas or water pipe, a lightning conductor or a telephone ground wire.

Do not connect power wires to the outdoor unit until all other wiring and piping connections have been completed.

Install all wiring at least 3 feet away from televisions, radios or other electronic devices in order to avoid the possibility of interference with the unit operation.

Do not install the unit near a lighting appliance that includes a ballast. The ballast may affect remote control operation.

CAUTION

A disconnection device having an air gap contact separation in all active conductors should be incorporated in the fixed wiring according to the National Wiring Regulation.

In the U.S.A., wiring must conform with current local codes and the current National Electric Code (NEC). In Canada, wiring must conform with current local codes and the current Canadian Electrical Code (CEC).

Refer to unit nameplate for minimum circuit ampacity and maximum overcurrent protection size.

NOTE - Three-conductor stranded shielded cable must be used for the communication wiring. This is necessary to ensure proper system communication and operation.

NOTE - See page 27 for wiring and piping instructions for VOSA054 and 072 units.

- A circuit breaker capable of shutting down the power supply to the entire system must be installed.
 - A single switch can be used to supply power to units on the same system. However, branch switches and circuit breakers must be selected carefully.
 - Fit the power supply wiring of each unit with a switch and fuse as shown in the wiring diagram.
 - Install a wiring interrupter or ground-fault circuit interrupter for the power wiring.
 - Make sure the ground resistance is no greater than 100Ω. This value can be as high as 500Ω when using a grounding fault circuit interrupter since the protective ground resistance can be applied.
1. Remove the screws that secure the control box cover. Remove the cover and place it to the side where it will not be damaged.
 2. Locate the terminal strip in the control box. Connect the power wiring (sized per NEC/CEC and local codes) and communications cable (three-core, shielded cable). Refer to unit nameplate for rated voltage.
 3. If the indoor unit is the final unit in a group that is wired in series, install the provided resistor across terminals P and Q.
 4. The infra-red receiver / display panel is factory installed and can be repositioned, if necessary. Use optional extension cable kit VOCTRL93P-1 (cat # 14R84).

Tightening torque for the terminal screws

- Use the correct screwdriver for fighting the terminal screws. If the screwdriver blade is too small, the head of the screw might be damaged, and the screw will not be properly tightened.
- If the terminal screws are over tightened, screws might be damaged.
- Refer to the table below for the tightening torque of the terminal screws.

Table 3. Terminal Screw Tightening Torque

	Tightening torque (lb-ft)
Terminal base of remote controller/Signal transmission wire (X2M)	0.58-0.72
Terminal base of power supply (X1M)	0.87-1.06
Grounding terminal (M4)	1.06-1.43

- After wiring, confirm all connections are correct; Then turn on power supply to the unit.

⚠ IMPORTANT
DO NOT adjust DIP switch settings. Settings may only be adjusted by a trained technician as part of the commissioning procedures.

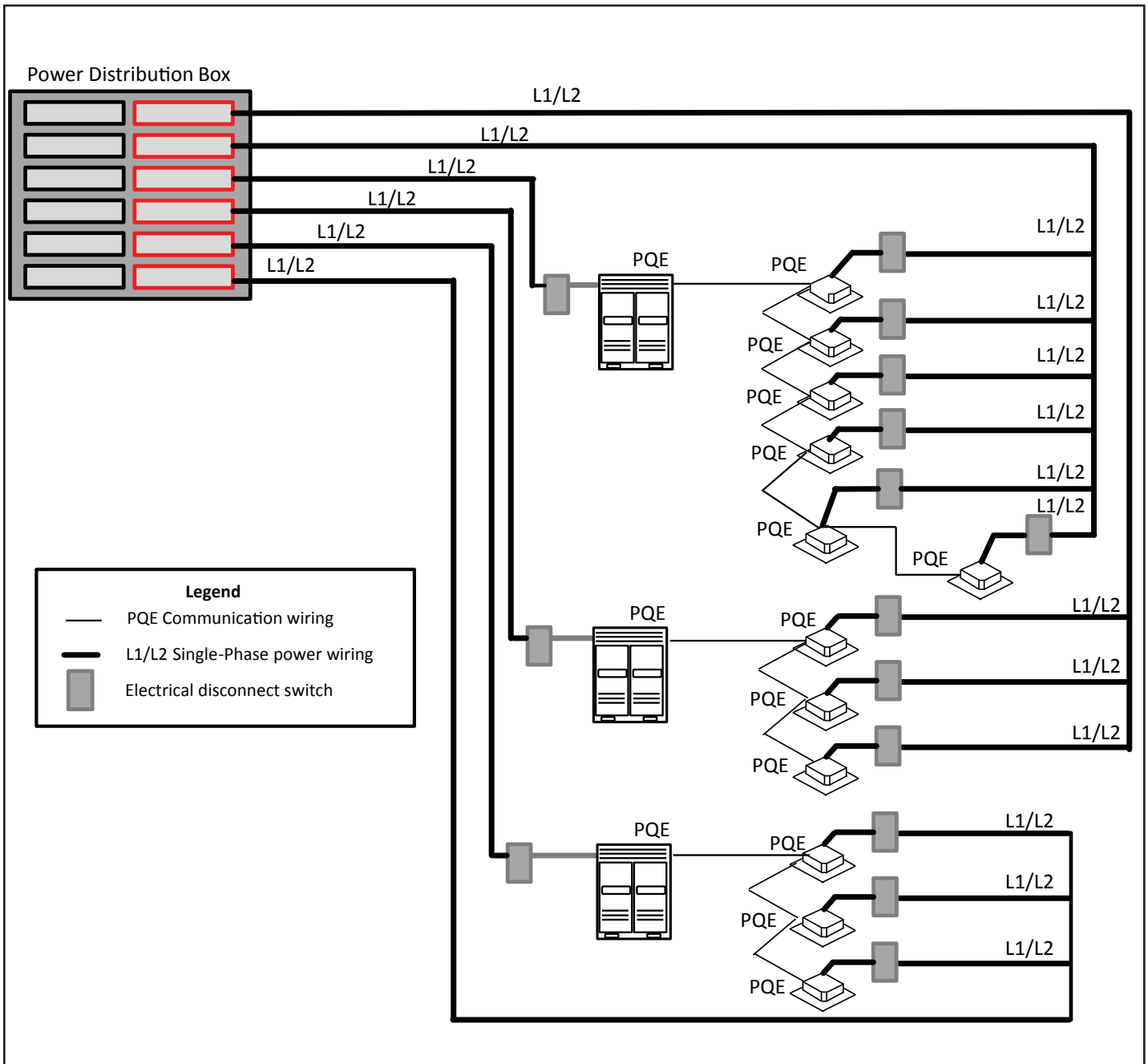
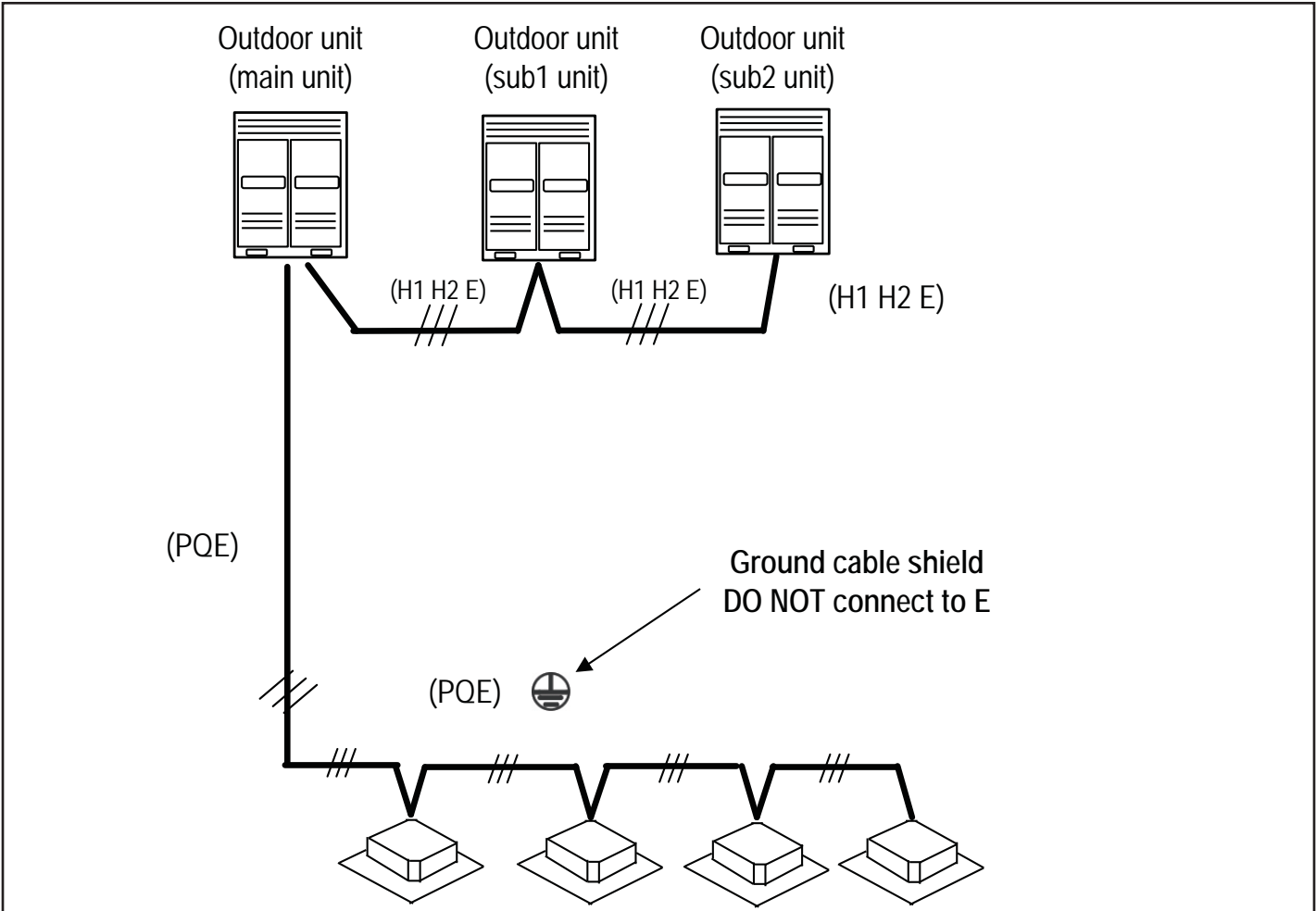


Figure 13. Typical Power Wiring Diagram (VRF Heat Pump System Shown)





- 
 Install a terminating resistor at the last indoor unit terminals P and Q of the daisy chain.
 - 
 All shields of shielded cable connect to GROUND terminal, **not to terminal E**.
- 18 GA., stranded, 3-conductor, shielded control wire (polarity sensitive).
 Typical Wiring Diagram, NEC/CEC and Local Codes apply.

Figure 14. Typical Communication Wiring Diagram (VRF Heat Pump System Shown)

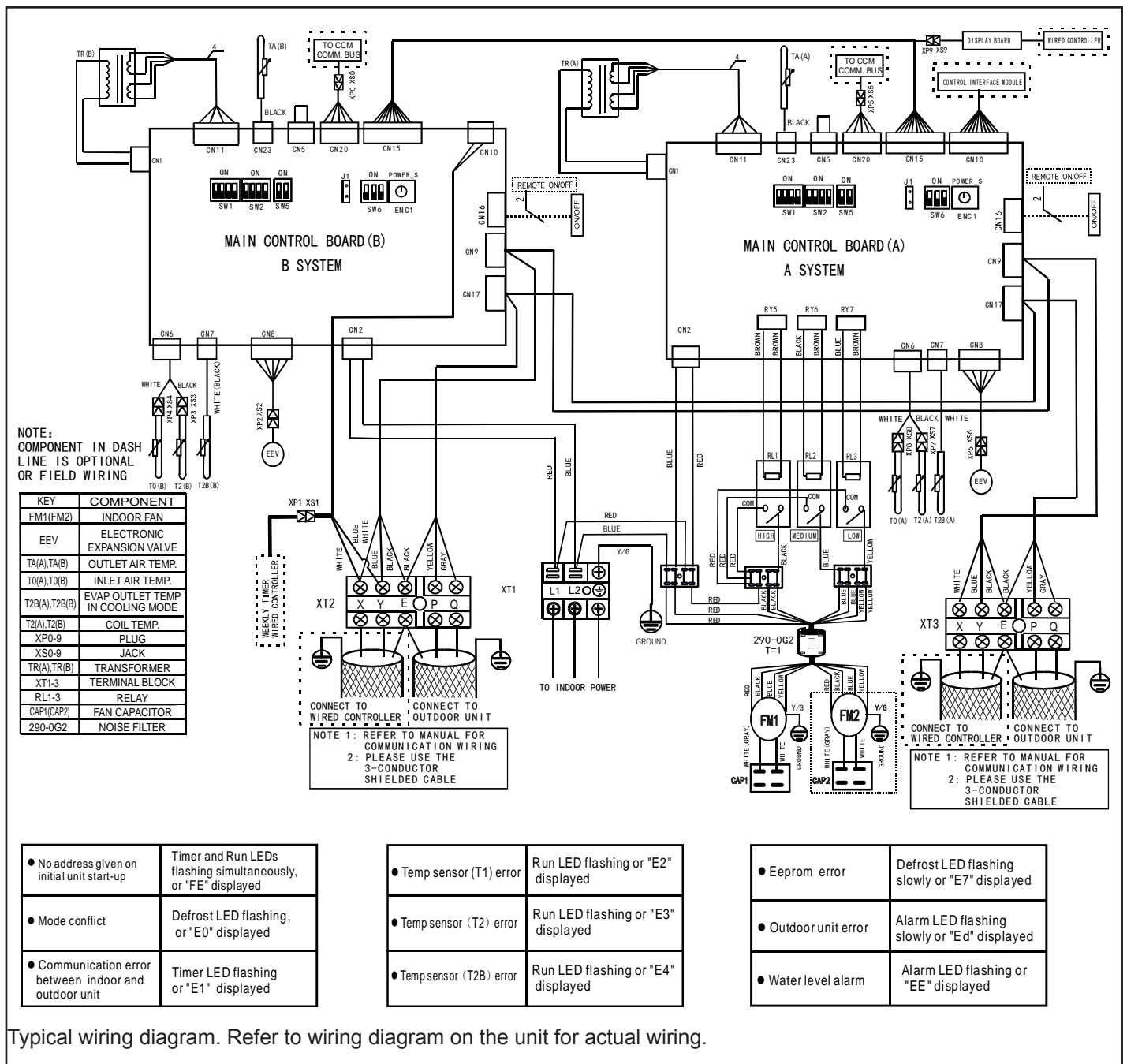


Figure 16. VOSA054S4-1 and VOSA072S4-1 Typical Wiring Diagram

VOSA054 and 072 Piping and Wiring Connections

VOSA054 and 072 units have two control boards in the control box and have two gas pipes, two liquid pipes, two branch pipes and two electronic expansion valves (EXV).

The additional boards and piping connections require special considerations when connecting the piping and communication wiring.

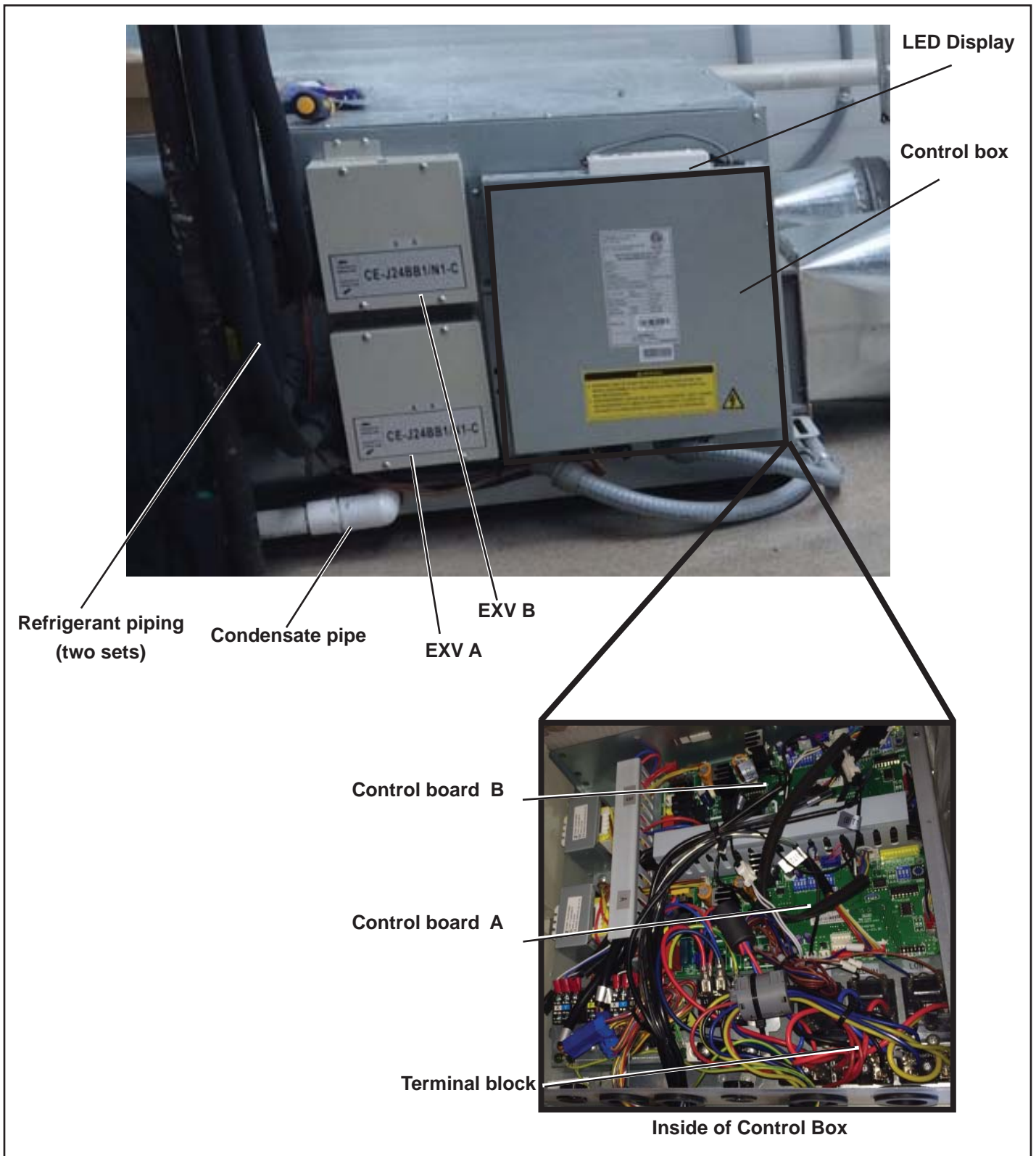


Figure 28. VOSA054 and 072 Unit Identification

Communication (PQE) Wiring

NOTE - Control board A is the bottom control board and Control board B is the top control board in the electronic control box.

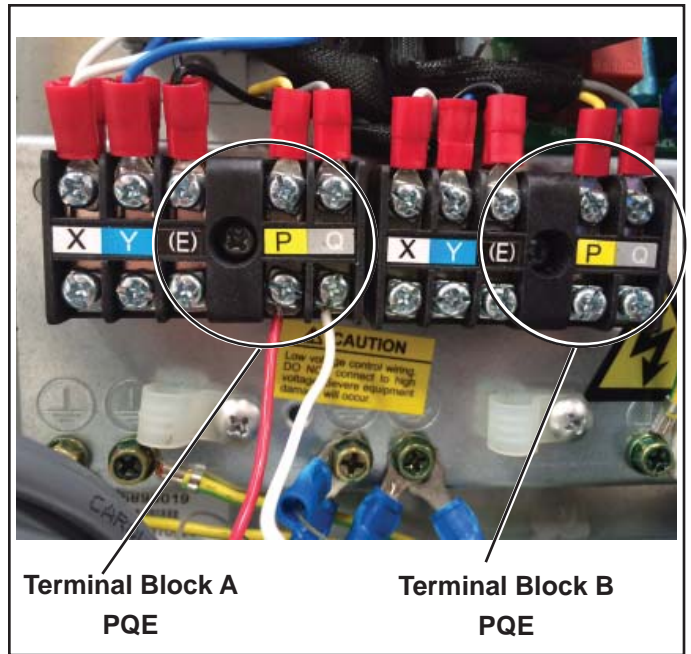


Control Board B - Top



Control Board A - Bottom

Figure 29. VOSA054 and 072 Main Control Boards



Terminal Block A
PQE

Terminal Block B
PQE

Figure 30. VOSA054 and 072 Terminal Block

Connect the incoming PQE wiring to the terminal block for Control board A.

If this is the last indoor unit in the system, no additional PQE wiring is needed.

Add a resistor between P and Q on Control board B.

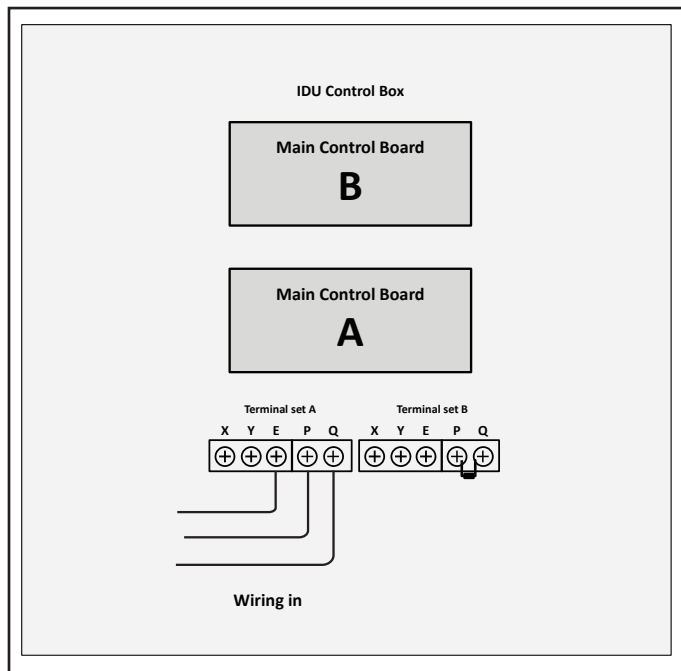


Figure 31. VOSA054 and 072 Connect Communication Wires to Single Indoor Unit

If there are additional indoor units, the outgoing wiring is connected to the terminal block for Control board B.

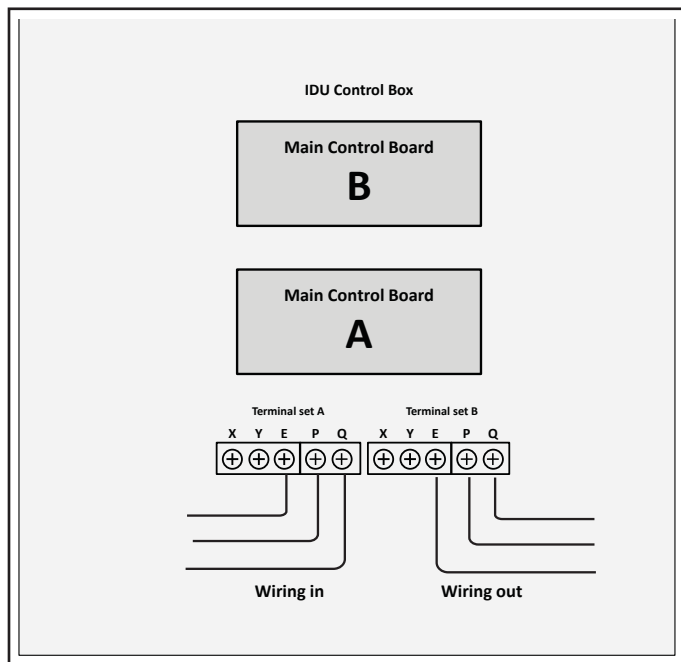


Figure 32. VOSA054 and 072 Connect Communication Wires to Additional Indoor Units

Connecting V0STAT51

Connect the V0STAT51 cable to the cable attached to Control board A.

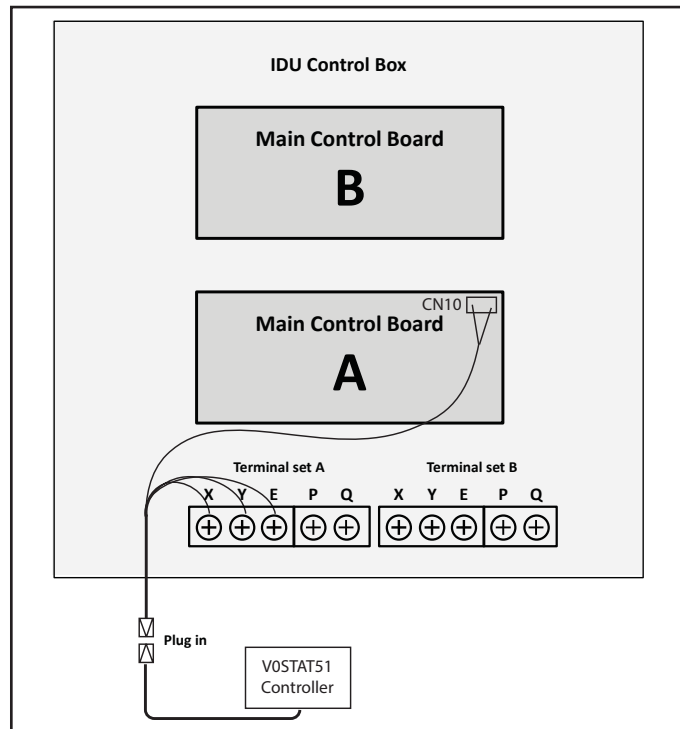


Figure 33. VOSA054 and 072 Connect to Single Indoor Unit

To control more than one VHIA072 or 096 unit from the same controller,

1. Connect the V0STAT51-1P cable to Control board A.
2. Connect Control board B XYE to the next indoor unit to be controlled by the controller

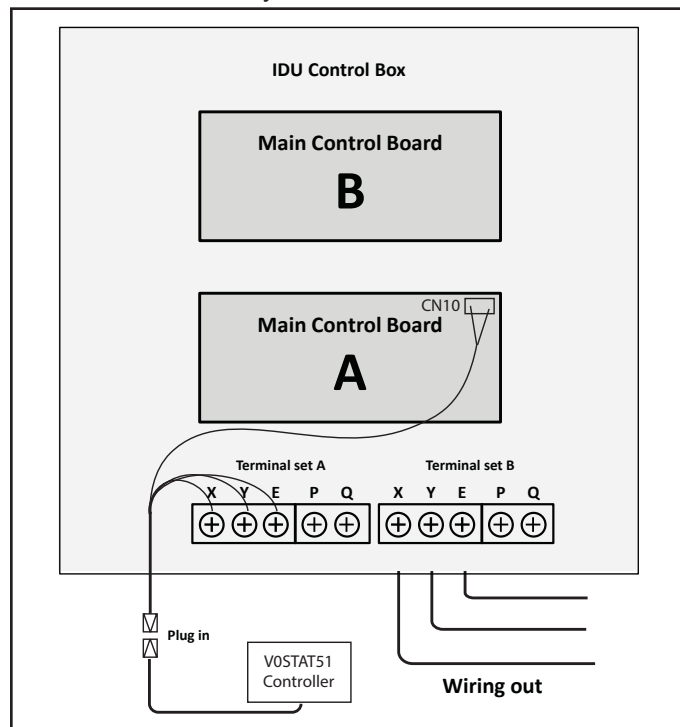


Figure 34. VOSA054 and 072 Connect to Additional Indoor Units

Refrigerant Piping

- Use the provided branch pipe kit to connect both sets of refrigerant line connections.
- Locate branch pipes no more than 32 feet from indoor unit.
- Piping between branch pipe and indoor unit: liquid line = 3/8" and gas line = 5/8".
- Consult LVSS piping report diagram for all other piping sizes.

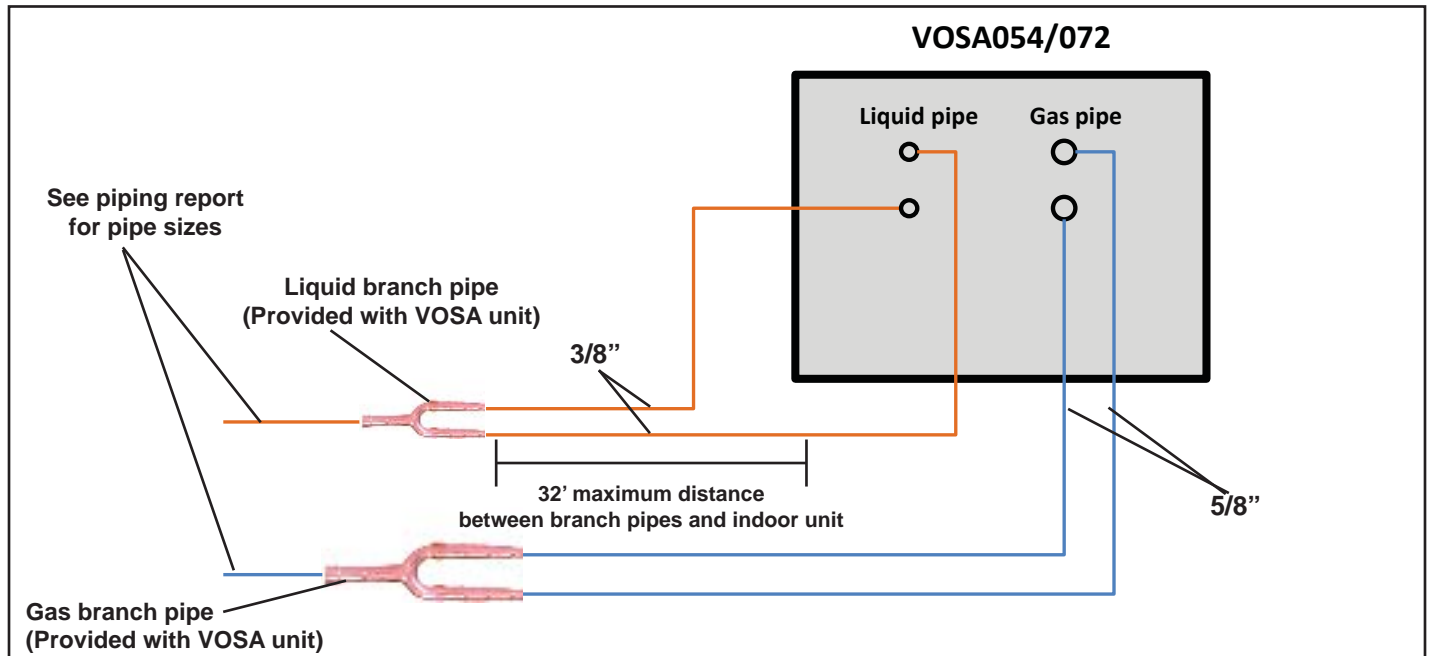


Figure 35. Piping for VOSA054 and 072

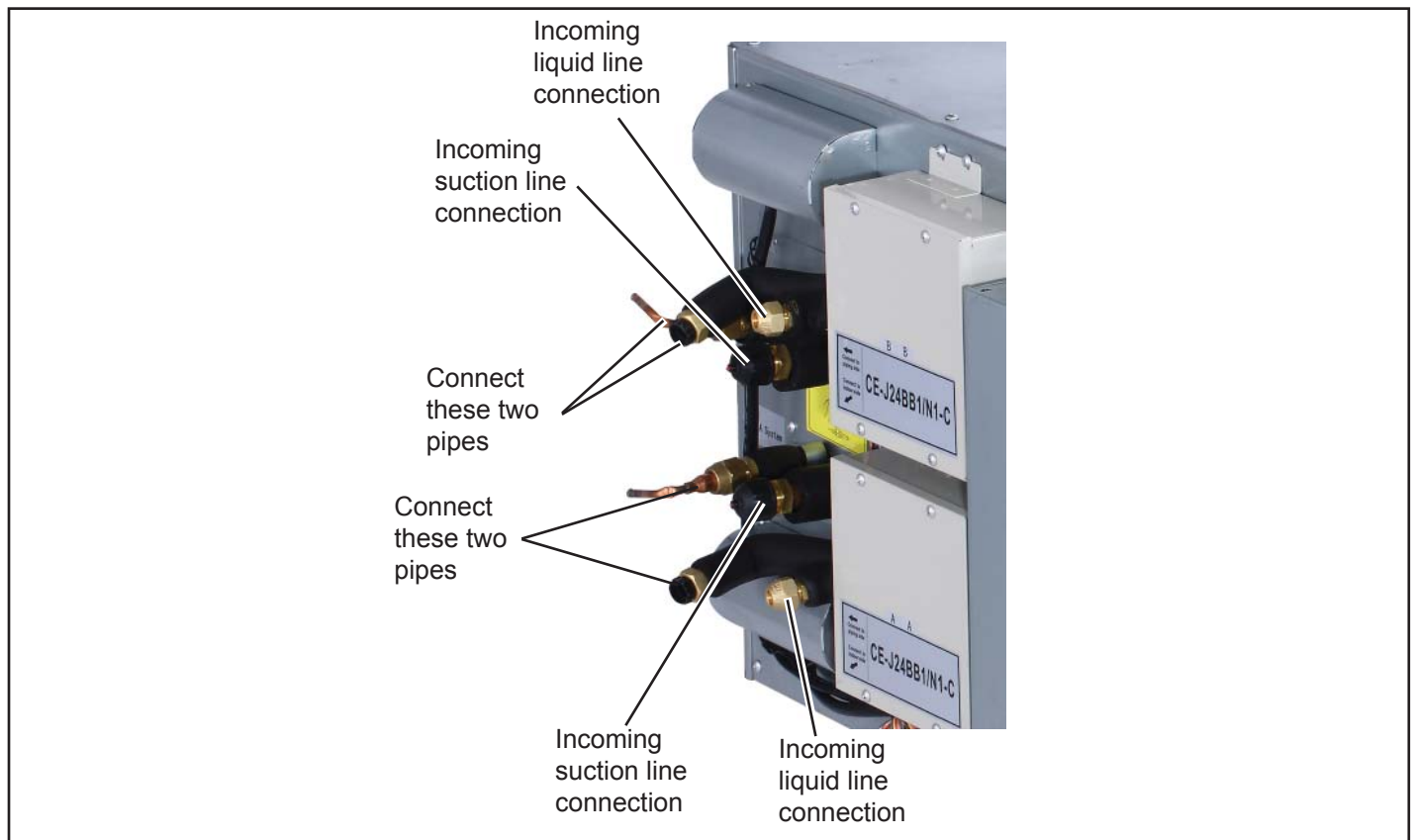


Figure 37. VOSA054 and 072 Refrigerant Connections