



⚠ WARNING

Improper installation, adjustment, alteration, service or maintenance can cause property damage, personal injury or loss of life. Installation and service must be performed by a licensed professional HVAC installer or equivalent, service agency, or the gas supplier.

INSTALLATION/ OPERATION INSTRUCTIONS

V0SNSR78P-3

VRF Systems - Occupancy Sensor
Kit

507614-02

04/2019

⚠ CAUTION

As with any mechanical equipment, contact with sharp sheet metal edges can result in personal injury. Take care while handling this equipment and wear gloves and protective clothing.

⚠ IMPORTANT

Read all of the information in this manual before using this accessory. All wiring must conform to local and national building and electrical codes and ordinances.

Shipping and Packing List

Package 1 of 1 contains:

- 1 - Occupancy sensor
- 2 - Phillips-head self-tapping screws
- 2 - Plastic Anchors

- 1 - Wiring harness
- 1 - Installation manual

Requirements

Be sure that power supply to all equipment has been turned off before beginning installation. This accessory should be used only as described in this manual. This accessory must be installed indoors.

- The accessory uses low voltage. Keep a minimum distance of 12" (305 mm) between low voltage control wire and high voltage power wires.
- Use only the provided cable. Do not extend or splice the cable.
- Do not use a megger to test insulation.

Specifications

Input voltage	+5 VDC
Ambient temperature	23~110°F (-5~43°C)
Ambient humidity	RH40%~RH90%

General

Use the V0SNSR78P-3 (17U42) occupancy sensor kit to automatically adjust the setpoint of the indoor unit for reducing energy use by sensing motion.

Operations

- The occupancy sensor kit can sense motion in a certain area and will send a signal to the indoor unit.
- The indoor unit will adjust the setpoint to a user-defined unoccupied setpoint offset if there is no motion for a specific period of time.
- Time period and unoccupied setpoint offset can be set using a wired local controller, V0STAT51P-3 or V0STAT54P-3. See Figure 3.

- When the indoor unit is turned on and the occupancy sensor does not sense motion, or there are no key-presses on the local controller, for the user determined time period, the kit will adjust the setpoint and send a signal to the indoor unit automatically. The next time it senses motion, the kit will send a signal to the indoor unit to return to normal operation.
- Operation conflicts could occur if the occupancy sensor kit is used with other controls devices such as a centralized controller.
- Do not place the occupancy sensor close to a radio frequency interference source. The interference device may trigger the occupancy sensor.

Dimensions

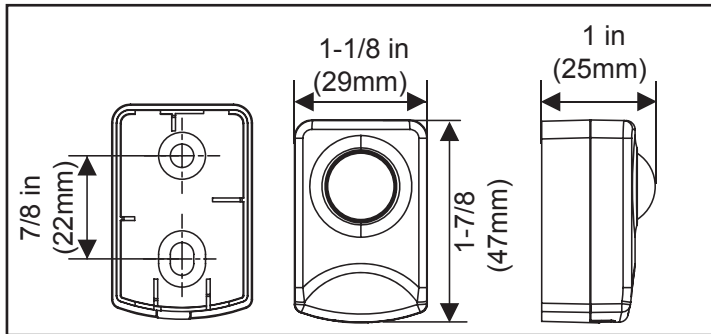


Figure 1. Occupancy Sensor Dimensions

Parts Identification

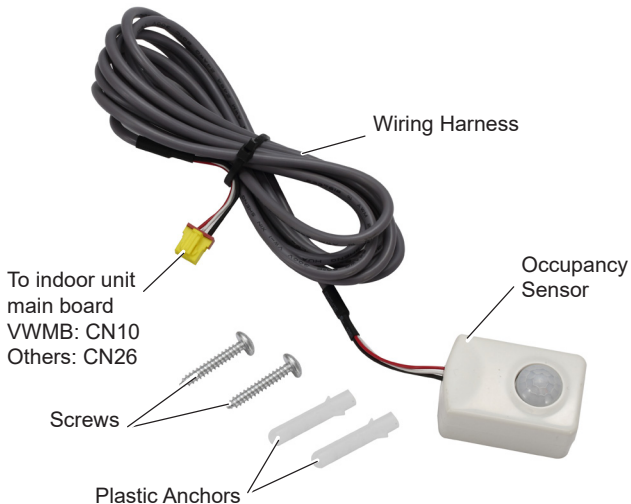


Figure 2. V0SNSR78P-3 Occupancy Sensor Kit

Locating the Occupancy Sensor

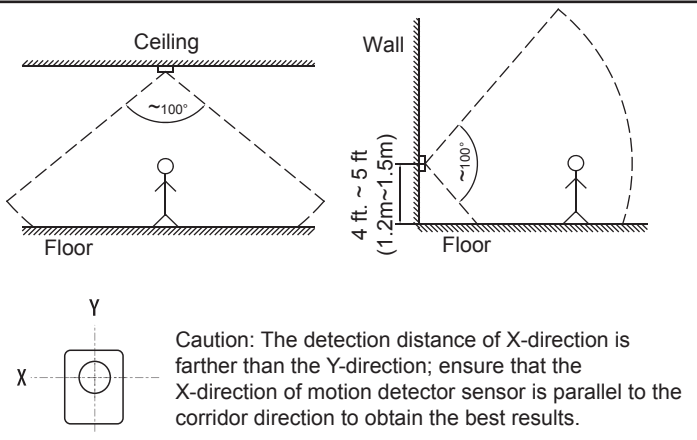


Figure 3. Mounting the Sensor

Wiring Connections

⚠ CAUTION

Before attempting to perform any service or maintenance, turn the electrical power to unit OFF at disconnect switch.

Connect the V0SNSR78P-3 occupancy sensor kit following the wiring diagram below.

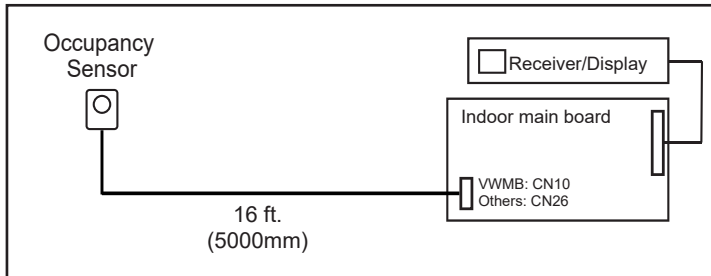


Figure 4. Connection Diagram

1. Remove the back cover of the occupancy sensor with a flat-head screwdriver. See figure 6.

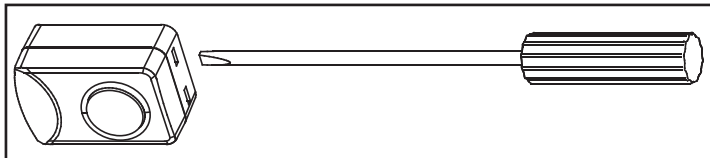


Figure 5. Remove Back Cover of Occupancy Sensor

2. Remove rubber insulator and retain for future use.
3. Use the provided screws to fix the back cover of the sensor to the surface where it is to be installed. See Figure 6.
4. Place the rubber insulator back into the back cover, covering the screws and insulating the control board from touching the screws. See figure 6.

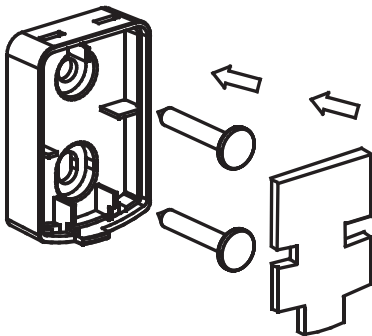


Figure 6. Remove Back Cover of Occupancy Sensor and Rubber Insulator

5. Insert the plug of the provided wiring harness into the corresponding plug of the occupancy sensor. See Figure 7.

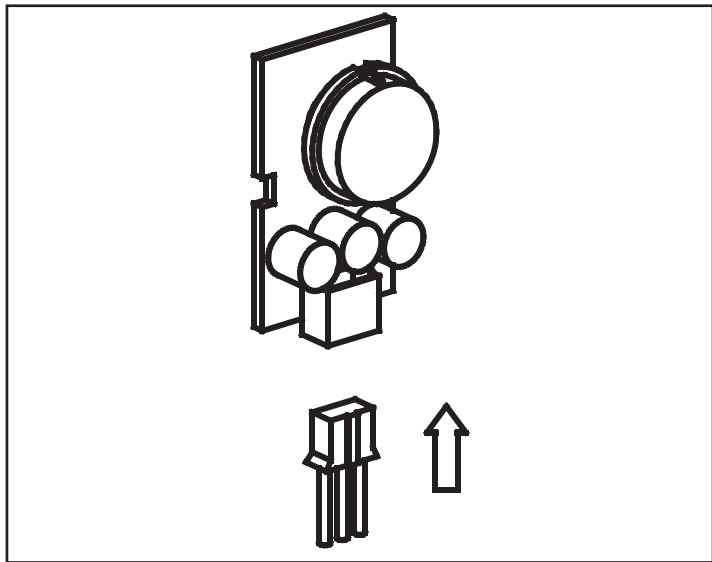


Figure 7. Connect Occupancy Sensor to Control Module

6. Press the occupancy sensor into the back cover. See Figure 8.

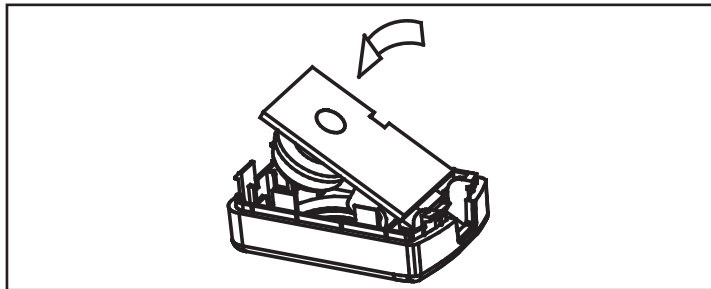


Figure 8. Place Occupancy Sensor Inside Cover

7. Snap the front cover of the occupancy sensor onto the back cover. See figure 9.

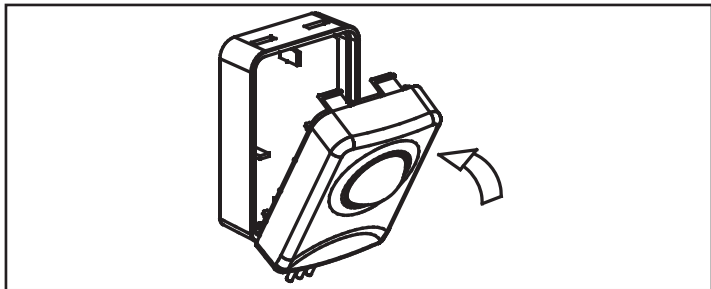


Figure 9. Connect Occupancy Sensor to Control Module

NOTE – Do not overtighten screws or the back cover will be deformed.

NOTE – Be sure to provide for future maintenance by allowing enough slack in the wiring to allow the sensor to be removed for maintenance.

8. Set the delay OFF time and setpoint setback following the instructions in the wired controller manual.
9. Locate the occupancy sensor as appropriate for your application.
10. Connect the yellow plug of the wiring harness to the indoor unit main board. VWMB: CN10, Others: CN26.

Technical Support

1-844-GET-VRF1

(1-844-438-8731)

vrftechsupport@lennoxind.com

www.LennoxVRF.com

Download the app
from the Apple App Store or the Google Play store.

