

MISCELLEOUS KITS AND ACCESSORIES

507642-01
11/2016

Fan Control Board

INSTALLATION INSTRUCTIONS FOR FAN CONTROL REPLACEMENT KIT (15D16)

THIS MANUAL MUST BE LEFT WITH THE OWNER
FOR FUTURE REFERENCE

!WARNING

Installation and service must be performed by a licensed professional HVAC installer (or equivalent) or a service agency.

Shipping and Packing List

Package 1 of 1 contains:

- 1 - Fan control (A191)
- 2 - Installation instruction

Application

This is a replacement fan control board (FCB) which features the following functionality:

- Speed control of outdoor fan
- Low ambient speed setting for outdoor fan
- Speed control of indoor fan
- Configuration switches to define the equipment size
- Field adjustment of indoor blower speed according to demand

Replacing Fan Control

Before removing the original fan control (A191), make note of all wiring connections, DIP switches, potentiometers and vent speed switch settings. This information will be needed once the new fan control is installed.

If the original settings are not recorded, use the model number on the unit nameplate and Figure 1 to set the DIP switches.

The FCB is in the control section above the compressors.

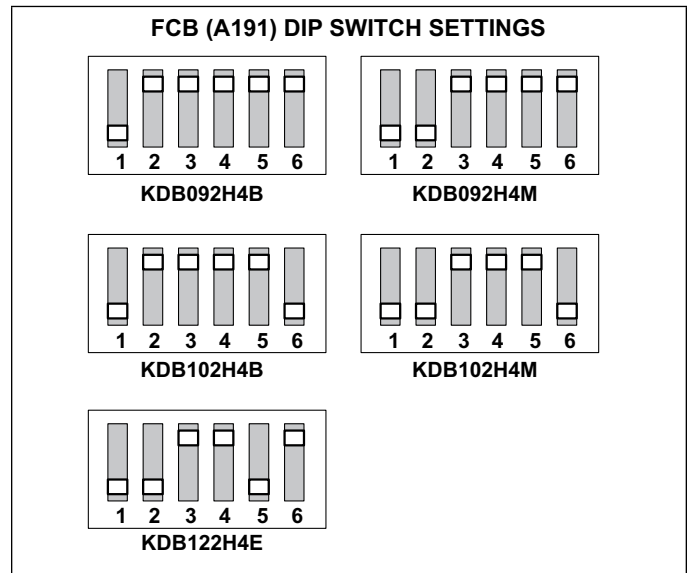


Figure 1. DIP Switch Settings

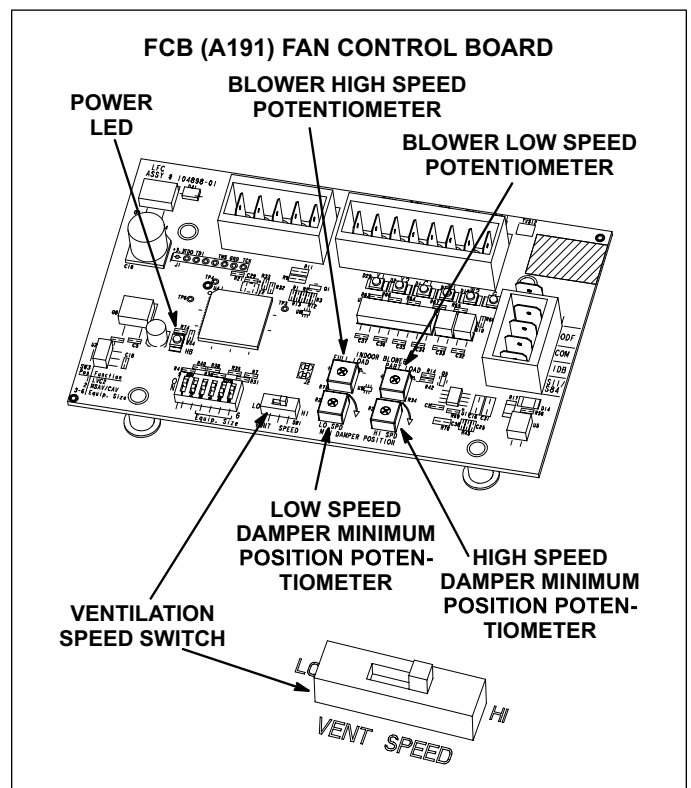


Figure 2. Setting Locations