

GAS UNITS KITS AND ACCESSORIES

© 2018

507659-01
07/2018

REPLACEMENT COMBUSTION AIR INDUCER

INSTALLATION INSTRUCTIONS FOR REPLACEMENT COMBUSTION AIR INDUCER KIT 15K90 FOR USE ON 80% EFFICIENCY LOW NOX SINGLE STAGE AND TWO-STAGE GAS FURNACES

Shipping & Packing List

Package 1 of 1 contains the following:

- 1 - Combustion air inducer (CAI) assembly
- 5 - #8-18-1/2" screws

Application

Use combustion air replacement kit 15K90 for single-stage and two-stage furnaces.

Installation

⚠ WARNING

Disconnect power before servicing unit.
Shut off main gas supplies to appliance until installation is complete.

⚠ WARNING

Improper installation, adjustment, alteration, service or maintenance can cause property damage, personal injury or loss of life. Installation and service must be performed by a licensed professional installer (or equivalent), service agency or the gas supplier.

⚠ CAUTION

As with any mechanical equipment, personal injury can result from contact with sharp sheet metal edges. Be careful when you handle this equipment.

- 1 - Turn off the electrical power and gas supply to the furnace.
- 2 - Remove the flue pipe and top cap.
- 3 - Disconnect the wires from the existing combustion air inducer motor.

- 5 - Remove the securing screws (figure 1) that secure the combustion air inducer to the flue collector box. Remove the inducer from the furnace.
- 6 - Use the five provided screws to secure the replacement inducer to the flue collector box.
- 7 - Reconnect the wires to the replacement inducer to the integrated control.
- 8 - Reinstall the cabinet top cap and access panel.
- 9 - Reconnect the vent connector or vent pipe to the flue transition..
- 9 - Restore the electrical power and gas supply to the furnace. Initiate a call for heat and check that the furnace is operating properly.
- 10 - See the unit installation instructions for the start-up procedure.

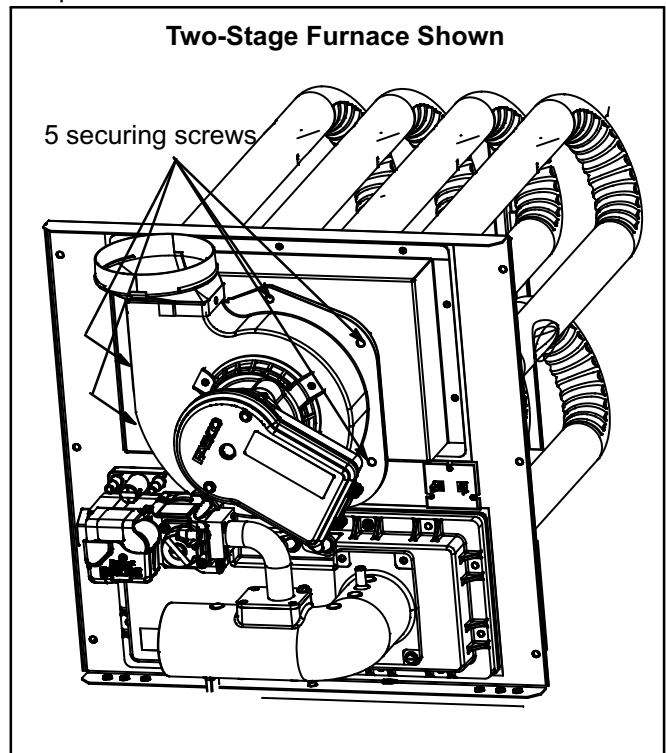


FIGURE 1