



©2016 Lennox Industries Inc.
Dallas, Texas, USA

INSTALLATION INSTRUCTION

V0SNSR00P

VRF Systems - Remote Sensor Accessory
507672-01
10/2016



⚠ WARNING

Improper installation, adjustment, alteration, service or maintenance can cause property damage, personal injury or loss of life. Installation and service must be performed by a licensed professional HVAC installer or equivalent, service agency, or the gas supplier.

⚠ IMPORTANT

Read all of the information in this manual before using this accessory. All wiring must conform to local and national building and electrical codes and ordinances.

Shipping and Packing List

Package 1 of 1 contains:

- 1 - Accessory cable with thermistor
- 1 - Accessory cable with white plug
- 1 - Installation manual

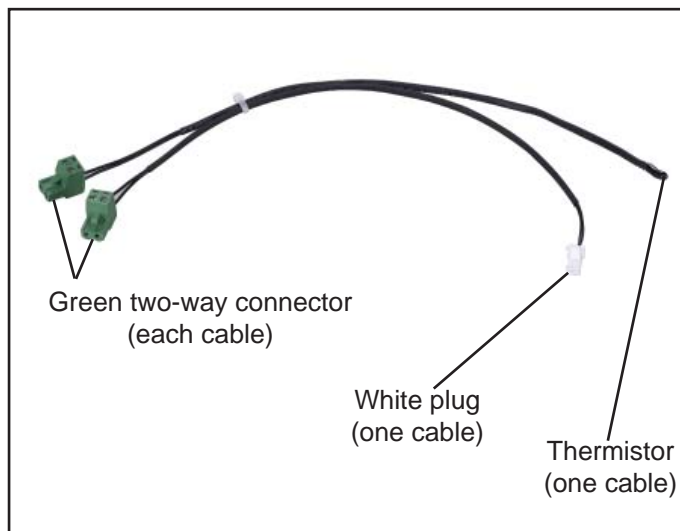


Figure 1. V0SNSR00P Accessory Identification

Installation

Relocate T1 Sensor

The T1 sensor can be relocated up to 66 ft. (20 m) from the indoor unit with the V0SNSR00P sensor accessory cables and field-provided 18 AWG 2-conductor stranded cable.

1. Identify the T1 connection on the main board - CN4. (white wires soldered to PCB)

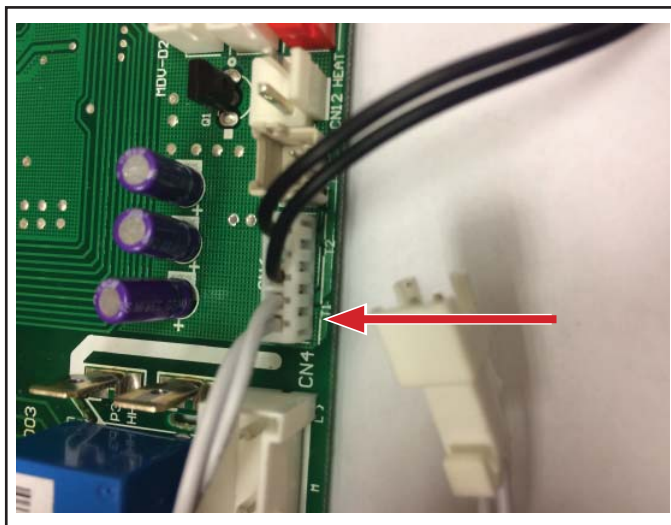


Figure 2. Identify T1 Sensor Connection on PCB

2. Identify where the white wire is plugged into the black wire.

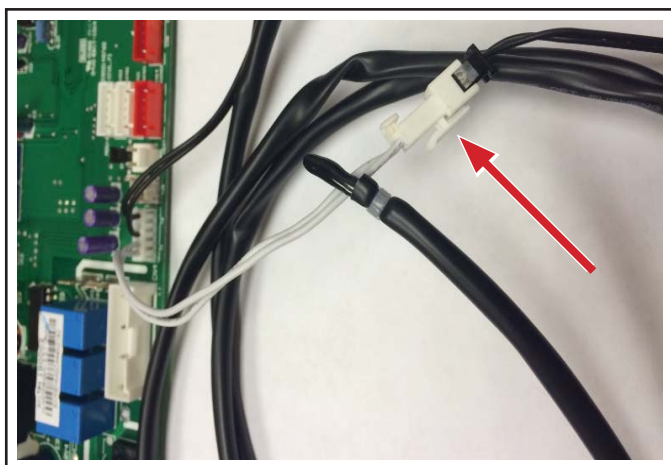


Figure 3. Identify White Plug into Black Wire

3. Unplug the black wire and discard.
4. Prepare the 18 AWG stranded shielded extension cable.
5. Cut the plastic wire tie holding the two V0SNSR00P cables together.
6. Insert the wires of one end of the extension cable into the green two-way connector on the end of each of the V0SNSR00P cables. See figure 4.
7. Connect the white plug of the V0SNSR00P cable to the white plug on the indoor unit board identified in step 2. See figures 3 and 4.
8. Locate the thermistor in the conditioned area of which the indoor unit serves.

⚠ IMPORTANT

Avoid installing sensor in high load or heat loss areas such as exterior walls or walls that are against unconditioned spaces, near entry doors and windows, or where direct sunlight may be present.

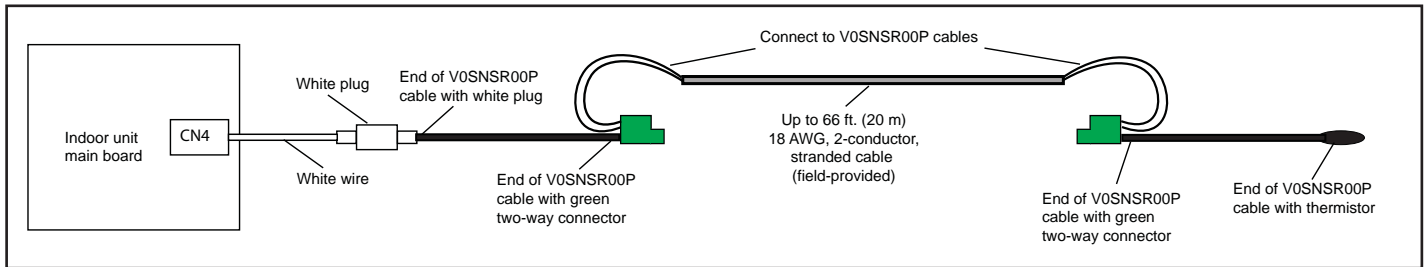
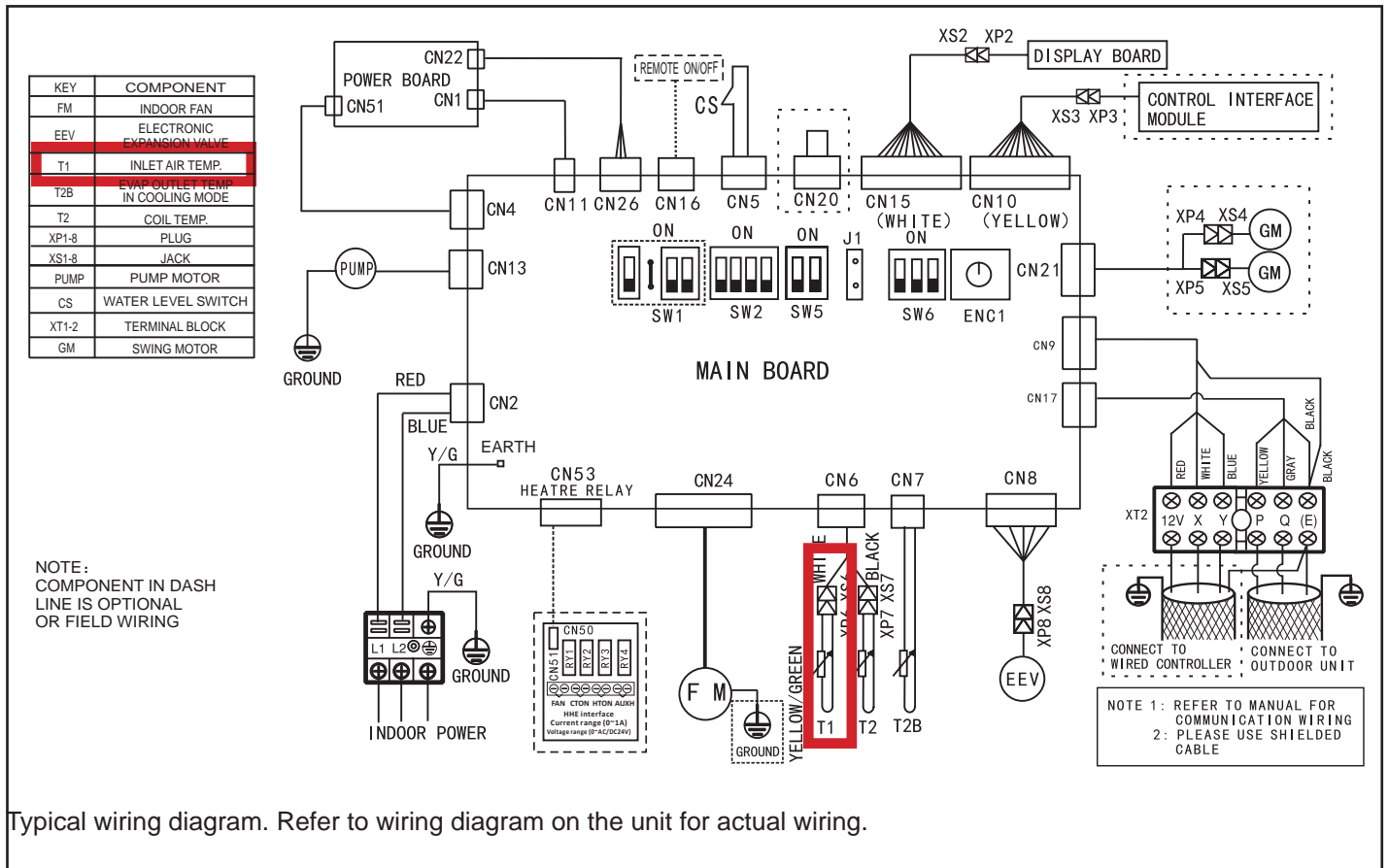


Figure 4. Typical Wiring Connections



Typical wiring diagram. Refer to wiring diagram on the unit for actual wiring.

**Figure 5. Typical Indoor Unit Wiring Diagram
V33A Shown**