



INSTALLATION INSTRUCTIONS FOR OUTDOOR UNIT FAN BLADE REPLACEMENT KIT

⚠ WARNING

Improper installation, adjustment, alteration, service or maintenance can cause property damage, personal injury or loss of life. Installation and service must be performed by a licensed professional HVAC installer or equivalent, service agency, or the gas supplier.

⚠ WARNING



Electric Shock Hazard! – Disconnect all power supplies before servicing. Replace all parts and panels before operating. Failure to do so can result in death or electrical shock.

General

This document provides general guidelines on field installation of outdoor fan blade.

Installation

⚠ CAUTION

As with any mechanical equipment, contact with sharp sheet metal edges can result in personal injury. Take care while handling this equipment and wear gloves and protective clothing.

Flush mounting indicates to mount it at the end of the shaft so that the bottom of the fan blade hub is flush with the end of the motor shaft. In figure 1, dimension A would be 0 (flush). Finger tighten set screw and torque between 137 – 150 in. lbs (approximately 1/8th turn using a standard socket and wrench).

IMPORTANT – Make sure set screw is tightened onto flat of motor shaft. Refer to figure 2.

Figure 1

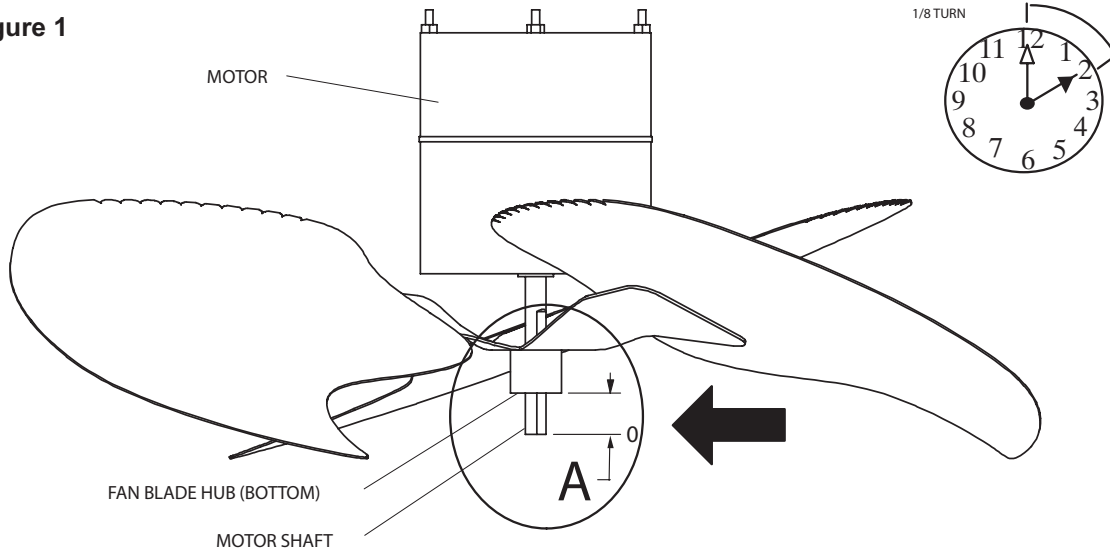
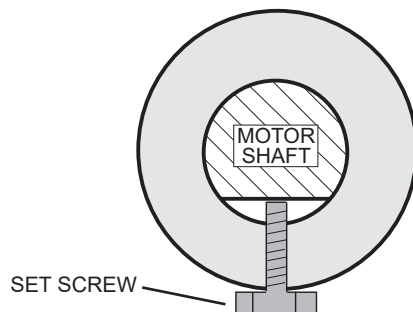


Figure 2



IMPORTANT – MAKE SURE SET SCREW IS TIGHTENED ONTO FLAT OF MOTOR SHAFT.

