

# PACKAGED UNITS KITS AND ACCESSORIES

508081-01  
12/2020  
Supersedes 505,162M

## DISCONNECT AND CIRCUIT BREAKER KIT

### INSTALLATION INSTRUCTIONS FOR DISCONNECT SWITCH AND CIRCUIT BREAKER KIT USED ON TG/TC/TH/KG/KC/KH/LGH/LCH/LGM/LCM 024-150 PACKAGED UNITS

#### Shipping and Packing List

**20W15-26 Package 1 of 1 contains:**

- 1- Power entry box assembly

**73M87-88 & 73M91-99 & 74M00-05**

**Package 1 of 1 contains:**

- 1- Power entry box assembly
- 1- Power entry cover
- 1- Gasket
- 1- Bag assembly containing:
  - 1-Disconnect switch flip-cover
  - 1-Rain lip
  - 3-Wires
- 12-#10-32 X 1/2 Screws
- 4-#6-16 X 1/2 Screws
- 4-#8-32 X 1/2 Screws

#### Application

The Disconnect and Circuit Breaker Kits are used on TG/TC/TH/KG/KC/KH/LGH/LCH/LGM/LCM 024 through 150 units. See table 1, 2, or 3 for usage. Disconnect size depends on unit voltage, blower motor horsepower, and electric heat; refer to product specifications to determine which size disconnect or circuit breaker to use with each unit.

### **⚠ WARNING**

**Improper installation, adjustment, alteration, service or maintenance can cause property damage, personal injury or loss of life. Installation and service must be performed by a licensed professional HVAC installer or equivalent, service agency, or the gas supplier**

**TABLE 1**

**TG/TC/KG/KC 030, 036, 048, 060,  
TH/KH 024, 030, 036, 048, 060B, & LGH036-048**

| Unit (Short Cabinet) | Disconnect Kit   | Hinges | Size (Amps) |
|----------------------|------------------|--------|-------------|
| TC/TH/KC/KH          | LB-111182A 20W15 | No     | 80          |
| TC/TH/KC/KH          | LB-111182B 20W16 | No     | 150         |
| TG/KG                | LB-111182C 20W17 | No     | 80          |
| TC/TH/KC/KH/LCH      | LB-111182G 20W21 | Yes    | 80          |
| TC/TH/KC/KH/LCH      | LB-111182H 20W22 | Yes    | 150         |
| TG/KG/LGH            | LB-111182J 20W23 | Yes    | 80          |

**TABLE 2**

**TH/KH/LGH/LCH 060, LGM/LCM 036-072,  
KG/KC 090 & All 072 Units**

| Unit (Tall Cabinet) | Disconnect Kit   | Hinges | Size (Amps) |
|---------------------|------------------|--------|-------------|
| TC/TH/KC/KH         | LB-111182D 20W18 | No     | 80          |
| TC/TH/KC/KH         | LB-111182E 20W19 | No     | 150         |
| TG/KG               | LB-111182F 20W20 | No     | 80          |
| TC/TH/KC/KH/LCH/LCM | LB-111182K 20W24 | Yes    | 80          |
| TC/TH/KC/KH/LCH/LCM | LB-111182L 20W25 | Yes    | 150         |
| TG/KG/LGH/LGM       | LB-111182M 20W26 | Yes    | 80          |

**TABLE 3**

**TG/TC/TH 090-150 Units**

| Disconnect Kit      |       | Size    |
|---------------------|-------|---------|
| LB-107879A          | 73M87 | 80 Amp  |
| LB-107879B          | 73M88 | 150 Amp |
| Circuit Breaker Kit |       | Size    |
| LB-107879E          | 73M91 | 20 Amp  |
| LB-107879F          | 73M92 | 25 Amp  |
| LB-107879G          | 73M93 | 30 Amp  |
| LB-107879H          | 73M94 | 35 Amp  |
| LB-107879J          | 73M95 | 40 Amp  |
| LB-107879K          | 73M96 | 45 Amp  |
| LB-107879L          | 73M97 | 50 Amp  |
| LB-107879M          | 73M98 | 60 Amp  |
| LB-107879N          | 73M99 | 70 Amp  |
| LB-107879P          | 74M00 | 80 Amp  |
| LB-107879R          | 74M01 | 90 Amp  |
| LB-107879S          | 74M02 | 100 Amp |
| LB-107879T          | 74M03 | 110 Amp |
| LB-107879W          | 74M04 | 125 Amp |
| LB-107879X          | 74M05 | 150 Amp |

#### Installation - 024-072, KG/KC 090 Units

- 1- Disconnect all power to unit. Open compressor access panel.
- 2- Remove the mullion on the left side of the compressor section. Retain the screws. See figure 1.



- 3- On units with hinged panels, remove the door seal from the mullion. Install the door seal in the same location on the disconnect assembly mullion provided in this kit.
- 4- Install the disconnect assembly in place of the removed mullion. Secure with retained screws.

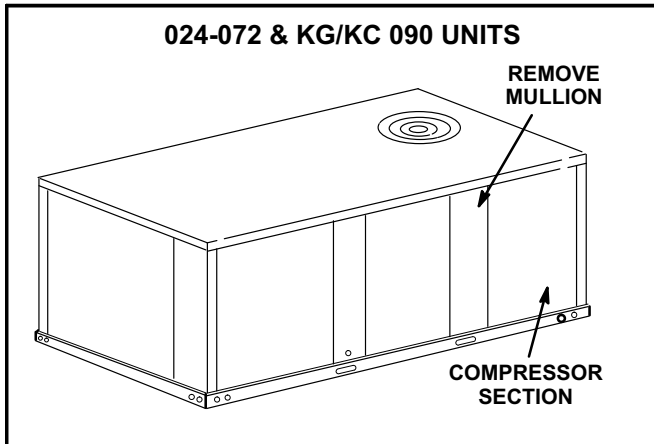


FIGURE 1

## ⚠ CAUTION

As with any mechanical equipment, contact with sharp sheet metal edges can result in personal injury. Take care while handling this equipment and wear gloves and protective clothing.

## Installation - TG/TC/TH 090-150 Units

- 1- Disconnect all power to unit and remove compressor access panels.
- 2- Remove the cover plate on the mullion between the compressor and blower sections.
- 3- Align the power entry box, rain lip, and mullion engaging holes as shown in figure 2 and 3. Place the rain lip flange between the power entry box and the mullion. Secure with screws provided in kit.

## Wiring

- 1- Route main power through field-provided conduit to power entry box. See figure 4. Refer to unit dimensions in unit installation instruction for power entry location. Connect power wiring to L1, L2, and L3 on disconnect or circuit breaker.
- 2- Make wire connections as shown in figure 5 when no electric heat is installed. Make wire connections as shown in figure 6 when electric heat is installed with single point power supply. Refer to the component arrangement sticker on the inside of the compressor access panel for the location of K1, K2, and K3.

## Disconnect Cover - TG/TC/TH 090-150 Units

- 1- Install flip cover and gasket on painted side of power entry cover as shown in figure 7. Make sure flip cover opens upward.
- 2- Install power entry cover over power make-up box opening. Secure with screws.

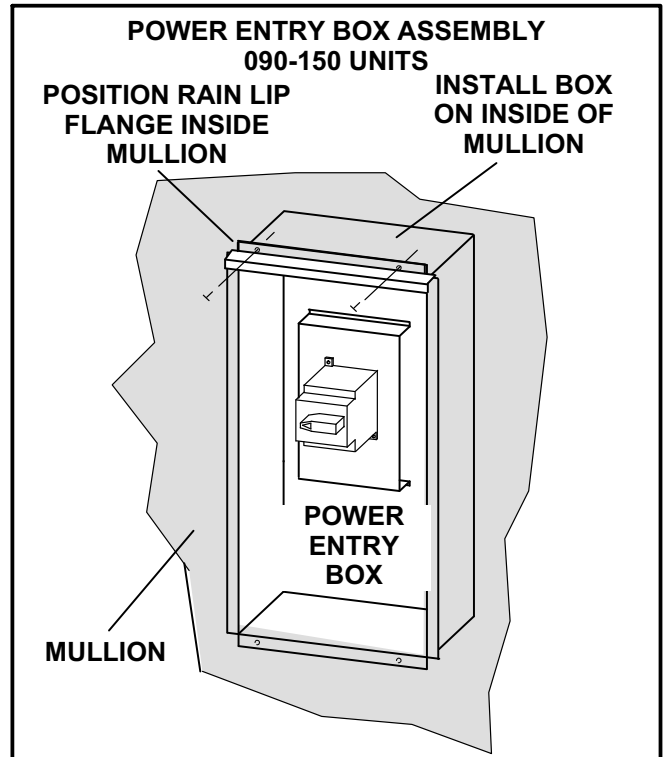


FIGURE 2

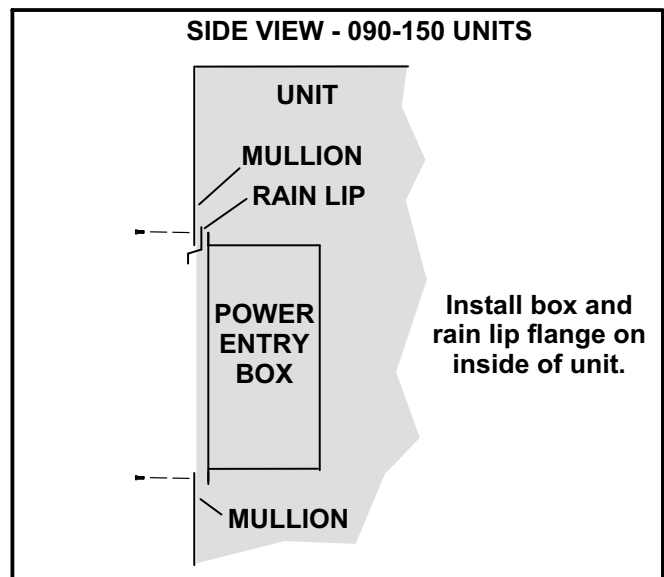
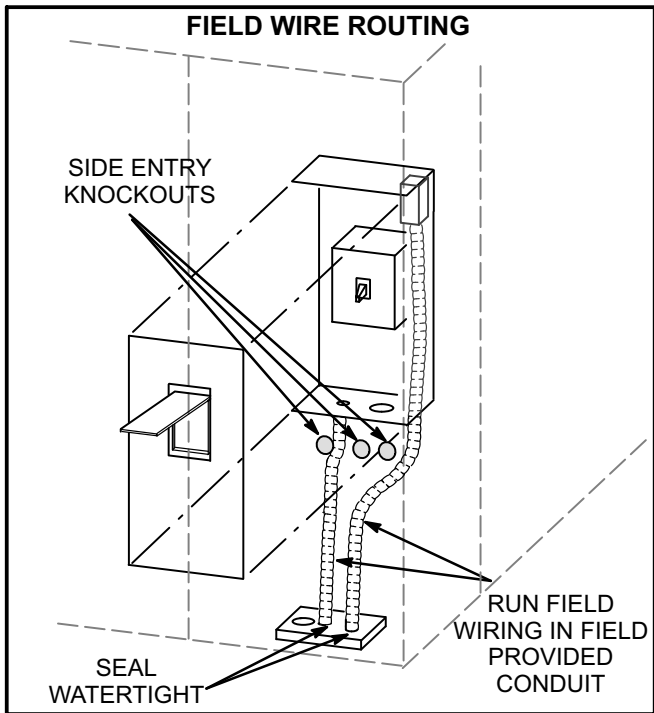
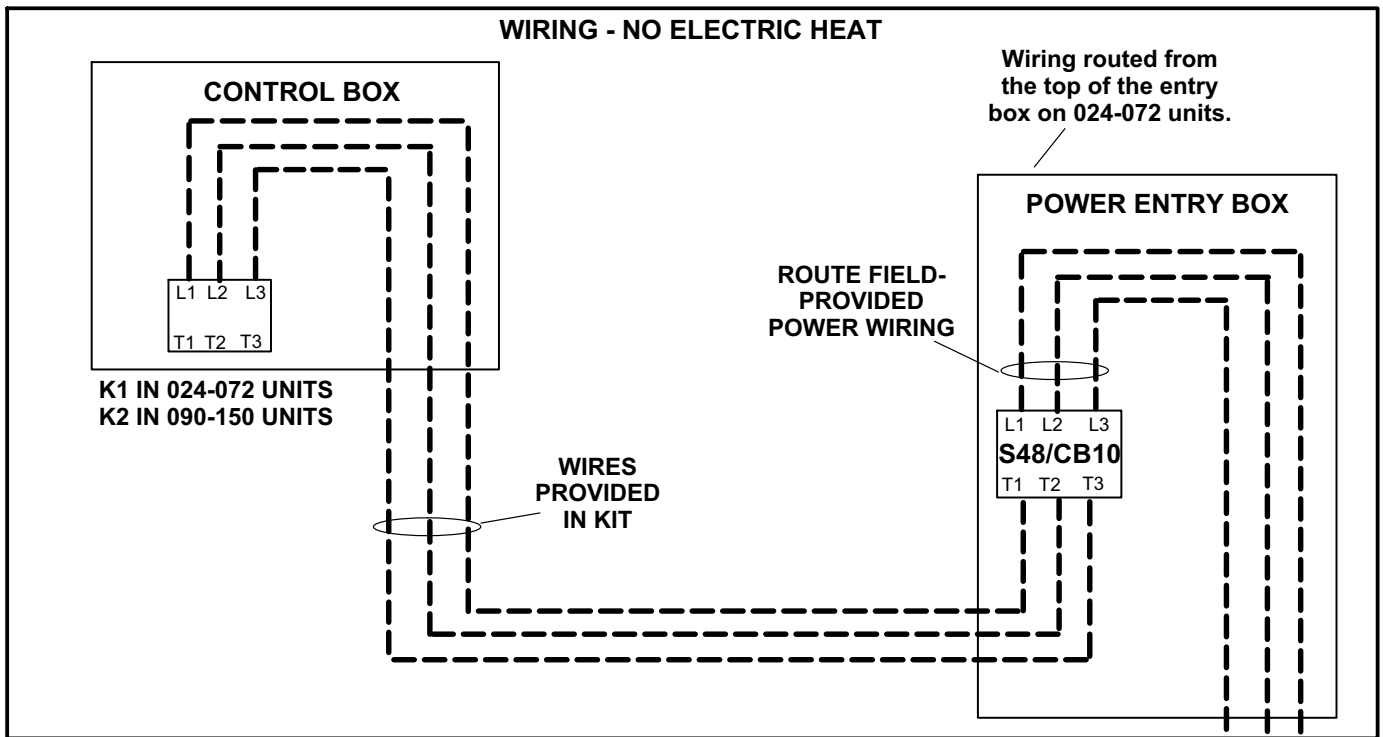


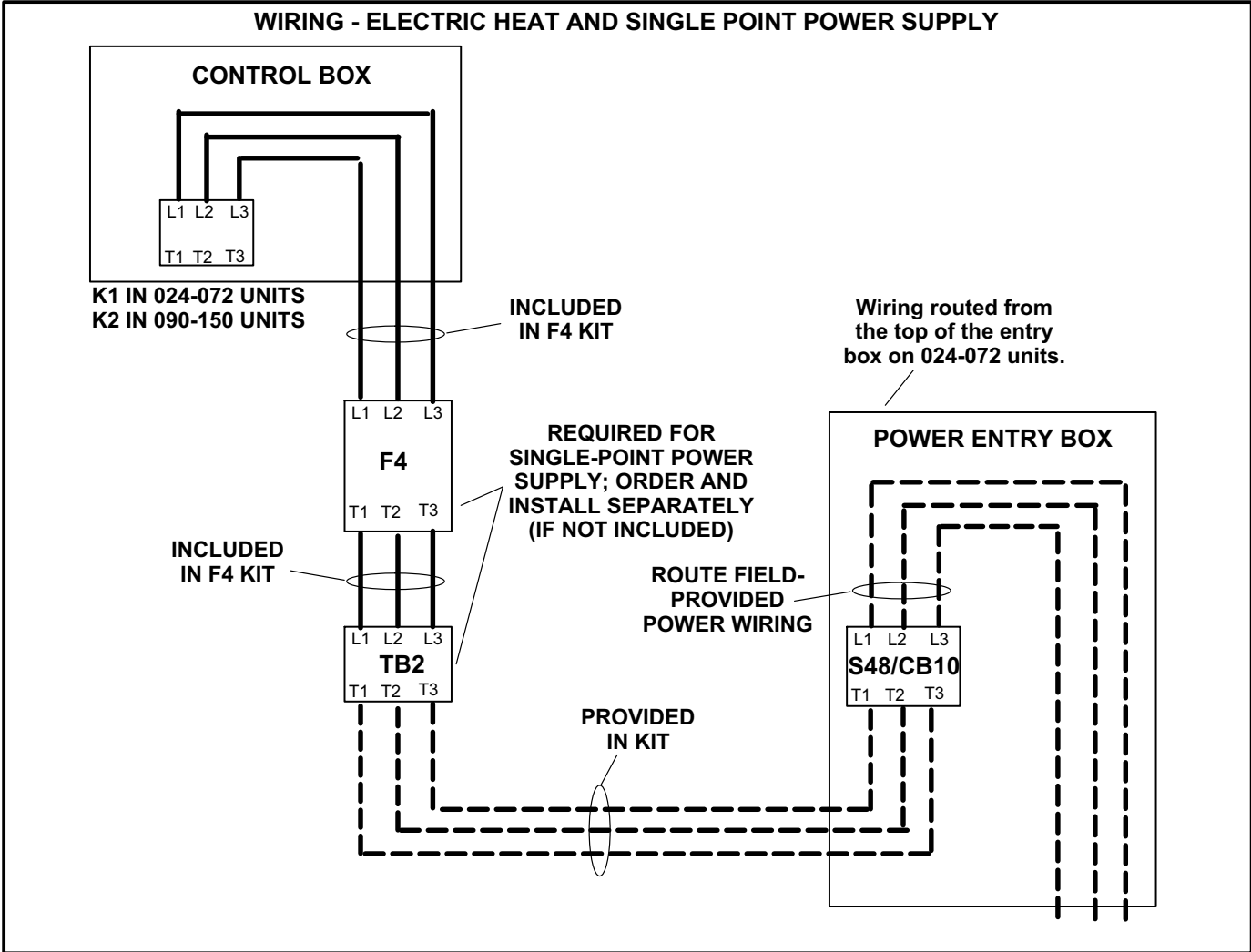
FIGURE 3



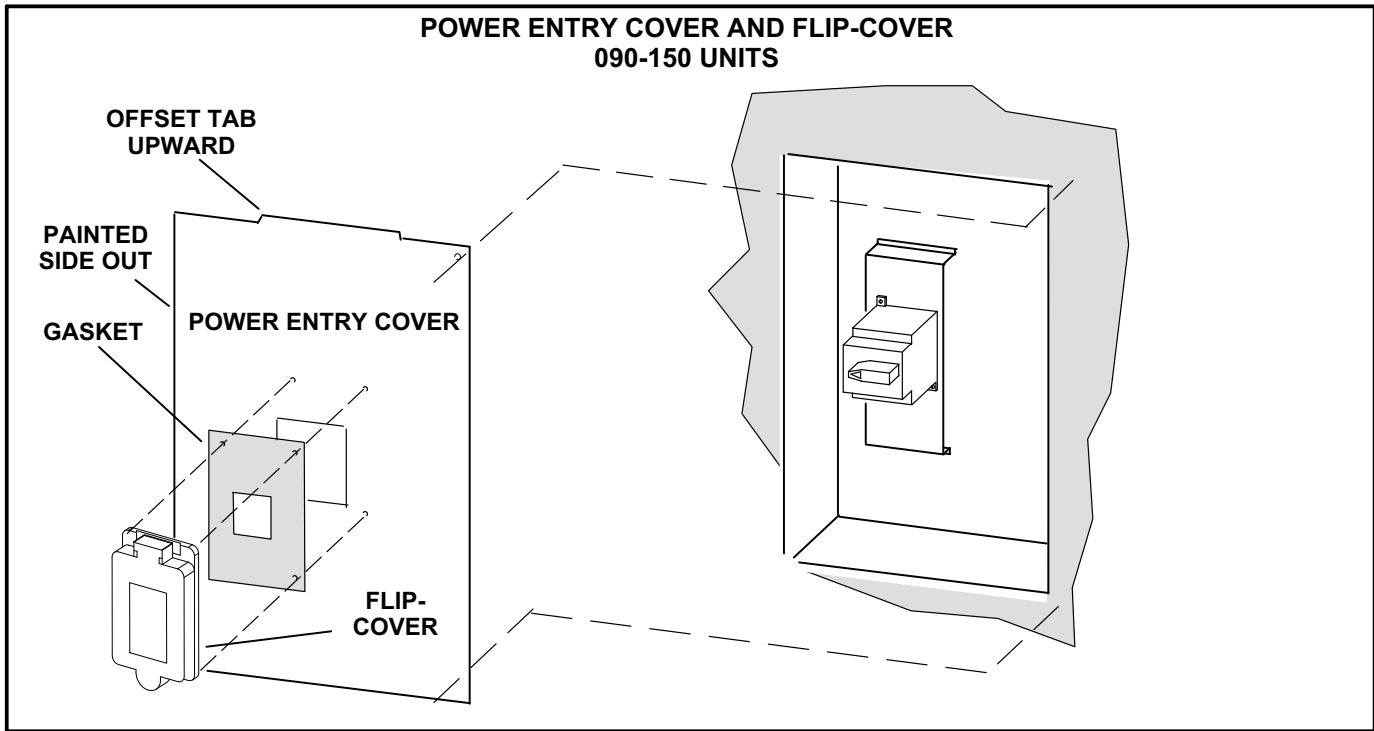
**FIGURE 4**



**FIGURE 5**



**FIGURE 6**



**FIGURE 7**