



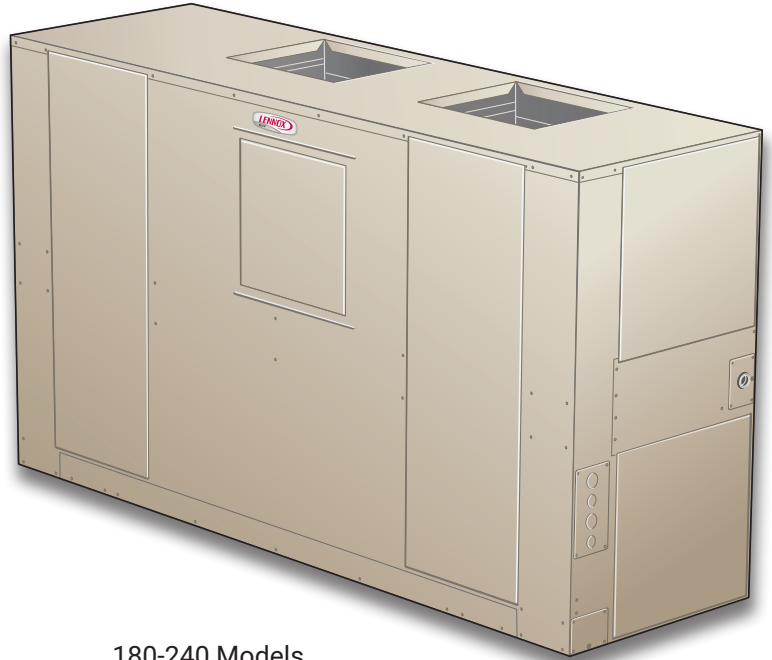
COMMERCIAL
PRODUCT SPECIFICATIONS

Bulletin No. 490175
 June 2020
 Supersedes February 2018

ELITE®
SERIES



072-090-120-150 Models

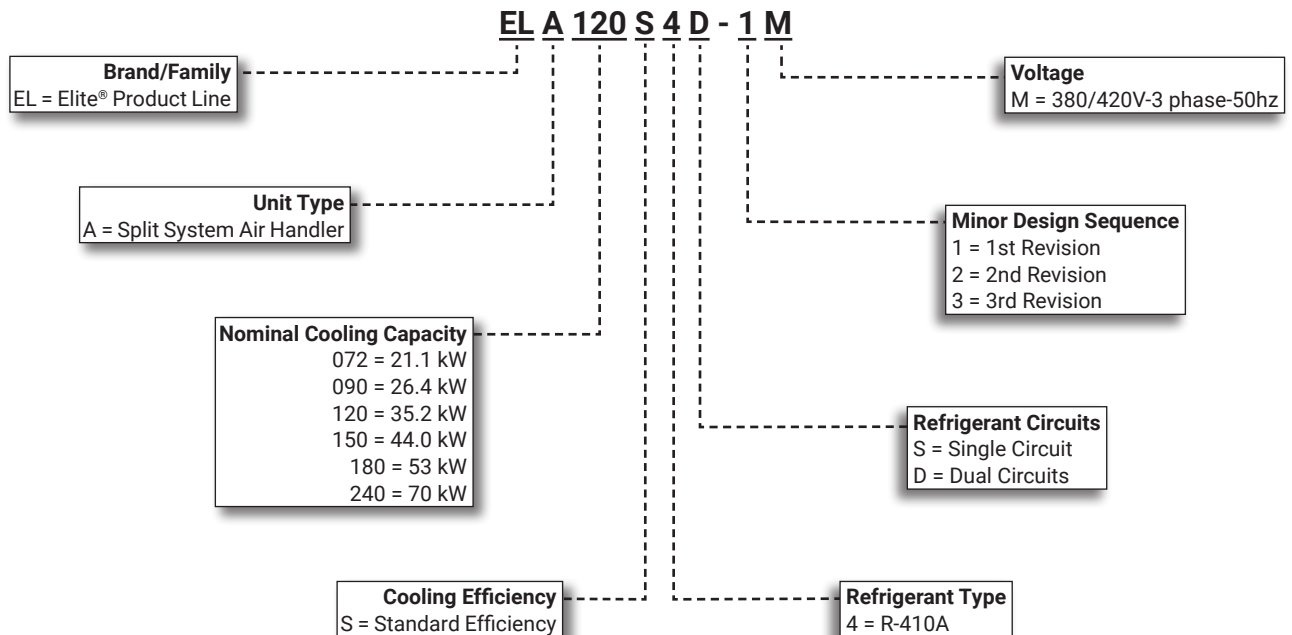


180-240 Models



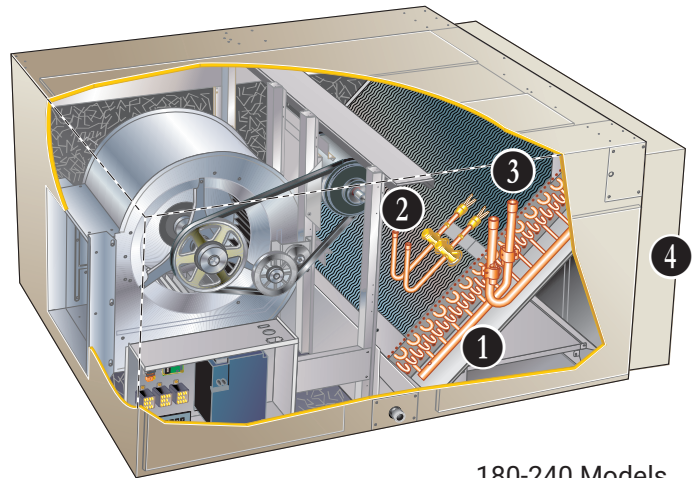
Nominal Capacity - 21.1 to 70 kW
Optional Electric Heat - 7.6 to 25.5 kW

MODEL NUMBER IDENTIFICATION

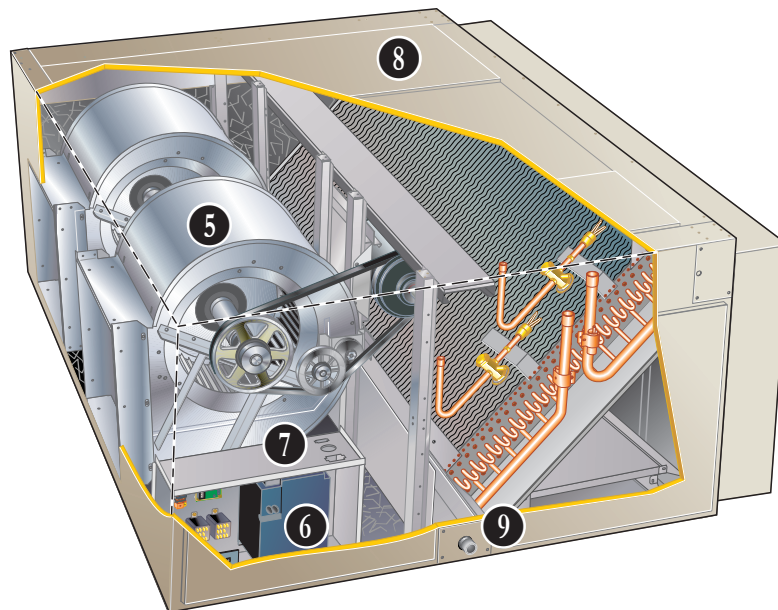


FEATURE HIGHLIGHTS

1. Multi-Circuit, Copper Tube Coil
2. Expansion Valve
3. Refrigerant Piping and Drain Connections
4. External Filter Rack
5. Belt Drive Blowers
6. MSAV® (Multi-Stage Air Volume)
7. Control Box
8. Heavy Gauge Steel Cabinet
9. Corrosion Resistant Drain Pan



180-240 Models



072-090-120-150 Models

CONTENTS

Approvals	3
Blower Data	12
Blower Motor Electrical Data	18
Dimensions - Accessories	32
Dimensions - Unit	28
Features And Benefits	3
Hot Water Coil Capacities	23
Model Number Identification	1
Optional Conventional Temperature Control Systems	8
Optional Electric Heat Data	21
Options / Accessories	10
Specifications	10
Unit Clearances	9
Weight Data	27

APPROVALS

APPROVALS

- Tested with matching air conditioners and heat pump units in the Lennox Research Laboratory environmental test room in accordance with AHRI Standard 340/360 while operating at rated voltage and air volumes
- Blower data is from unit tests conducted in the Lennox Laboratory air test chamber
- Components bonded for grounding to meet safety standards for servicing required by Underwriters Laboratories (UL) and the International Electrotechnical Commission (IEC)
- International Organization for Standardization (ISO) 9001 Registered Manufacturing Quality System

FEATURES AND BENEFITS

APPLICATIONS

- The Elite® Series 21.1 to 70 kW large split system air handlers combine MSAV® (Multi-Stage Air Volume) and up to two stages of cooling to provide temperature control and enhanced humidity control
- Provides installation versatility in a variety of applications
- Superior efficiency in air conditioning and heat pump applications with enhanced air handling and filtering
- Easy to field service
- Equipped with single circuit (072) or dual-circuit (090-240) indoor coils
- Suitable for application with Lennox 21 to 70 kW ELS air conditioners or 7.5 and 10 kW ELP heat pump outdoor units
- Convertible upflow or horizontal design
- Each refrigerant circuit has a dedicated expansion valve
- 090-240 models have a dual distribution system for two stage capacity control
- Shipped factory assembled ready to install
- Standard static blower drive is furnished factory installed
- Low or high static drive options are available as factory installed options
- See Blower Drive Specifications Table for selections

REFRIGERATION SYSTEM

1 Multi-Circuit, Copper Tube Coil

- Extra large surface area of Lennox designed coil provides maximum cooling efficiency, excellent heat transfer and low air resistance
- Coils on 090-240 models are face split with separate circuits, each circuit has its own expansion valve
- Precise circuiting gives uniform refrigerant distribution.
- Lennox fabricated coil is constructed of precisely spaced ripple edged aluminum fins fitted to durable seamless, rifled copper tubes
- Rifled tubing provides enhanced heat transfer which results in maximum coil performance when combined with the Lennox fin design
- Fins are strengthened to resist bending and are equipped with collars that grip tubing for maximum contact area
- Flared tubing connections and silver soldering provide tight, leakproof joints

- Long life copper tubing is corrosion-resistant and easy to field service
- Coil is thoroughly factory tested under high pressure to ensure leakproof construction

2 Expansion Valve

- For use with R-410A systems
- Factory installed and piped
- Multi-circuit coils are equipped with one thermal expansion valve per circuit
- Valves are sized for best performance
- 090 and 120 models have internal check valves for use with heat pump systems

Freezestats

- Protects the evaporator coil from damaging ice build-up due to conditions such as low/no air flow, or low refrigerant charge

3 Refrigerant Piping and Drain Connections

- Refrigerant line inlets (knockouts) are provided on both sides of the cabinet
- Refrigerant lines require sweat connections and are made internal to the cabinet
- Condensate drain outlet extends outside the cabinet for ease of connection
- Condensate drain can be relocated to other side of cabinet and can be repositioned for horizontal air flow applications

Options/Accessories

Field Installed

Float Switch Kit

- Float switch interrupts cooling operation if excessive condensate collects in the drain pan.

Heat Pump Check Valve Kit (240 Models Only)

- Field installed kit contains valve assemblies that field convert the coil to allow it to be matched with two smaller heat pump outdoor units.

FEATURES AND BENEFITS

INDOOR AIR QUALITY

4 External Filter Rack

- Filter rack design permits quick and easy removal of filters for servicing
- Heavy-gauge galvanized steel cabinet is completely insulated with thick, foil-faced fiberglass insulation and painted to match the unit
- Furnished and shipped inside the unit for field installation
- Must be field assembled
- 51 mm thick, MERV 8 pleated media filters are furnished as standard

Options/Accessories

Field Installed

Healthy Climate® Air Filters

- Disposable MERV 8 or high efficiency MERV 13 (Minimum Efficiency Reporting Value based on ASHRAE 52.2) efficiency 4-inch pleated filters
- 102 mm pleated filters offer longer filter life and better filtration efficiency compared to standard 51 mm filters

102 mm External Filter Mounting Kits

- Required for use with Health Climate MERV 8 or MERV 13 filters. Kit includes filter rack for 102 mm filters. Must be field assembled

BELT DRIVE BLOWERS

- 072-090-120-150 models are equipped with a single blower wheel
- 180 and 240 models have dual blower wheels
- 5 • Centrifugal belt driven blowers deliver large air volumes quietly and with low power consumption
- Blower wheels are heavy-duty, with forward curved blades and double inlet
- Wheels are statically and dynamically balanced to eliminate vibration and designed to give maximum air delivery
- Bearings are heavy-duty, permanently sealed and lubricated
- Belt tension is automatically controlled by auto tensioning device
- Adjustable motor pulley allows speed adjustments
- Standard static drive is furnished factory installed
- See Blower Drive Specifications table for optional factory installed low and high static drives available

6 MSAV® (Multi-Stage Air Volume)

- Variable frequency drive (VFD) and control stages the supply air blower airflow
- Designed for use on dual-stage split systems the VFD alters the frequency and voltage of the power supply to control blower motor speed and airflow
- Supply air blower has two speeds:
 1. Low speed for part-load cooling operation

NOTE - Low speed is 66% of high speed.

2. High speed for full load cooling and all heat modes

- Full speed blower operation is set by adjusting the motor pulley to deliver the desired air volume
- The ventilation speed is selectable between high and low speed

NOTE - Part load airflow in cooling mode on MSAV® units should not be set below 220 cfm/nominal full load ton to reduce the risk of evaporator coil freeze-up.

- Lower operating costs are obtained when the blower is operated on lower speeds

MSAV® Sequence of Operation

- Ventilation speed is determined by the VENT SPEED switch setting on VFD control board (LO or HI)
- Blower operates in low speed for mechanical cooling (Y1)
- Blower operates in high speed for any other mode (free cooling, mechanical cooling Y1+Y2, and heating)
- Economizer damper minimum position is fully closed in unoccupied mode
- In occupied mode, the economizer damper minimum position is determined by the setting of the two potentiometers on VFD control board
 - LO SPD MIN POS potentiometer sets the minimum position when blower is operating at low speed
 - HI SPD MIN POS potentiometer sets the minimum position when blower is operating at high speed

Options/Accessories

Factory Installed

Low or High Static Drives

- A choice of optional low or high static drives are available for factory installation
- See Blower Drive Specifications table

CONTROLS

7 Control Box

- Located in separate compartment in unit cabinet
- Low voltage terminal strip factory installed
- Blower contactor furnished and factory installed in control box
- All controls are pre-wired at the factory

NOTE - Freezestat wiring needs to be field wired depending on upflow or horizontal configuration.

Options/Accessories

Field Installed

Thermostat

- Thermostat is not furnished with unit and must be ordered extra
- See page 8, also see individual Thermostat bulletins and Lennox Price Book

Aftermarket Unit Controller Options

- See Options/Accessories table for selection

FEATURES AND BENEFITS

CABINET

- 8 • Heavy-gauge, pre-painted steel for superior rust and corrosion protection
- Completely lined with thick fiberglass insulation resulting in quiet and efficient operation
- Closed-cell foam on top mullion between the blower and coil section reduces heat transfer through cabinet and prevents moisture build-up on outside of cabinet
- Supply and return air duct flanges are furnished for field installation
- Service access provided on three sides of unit
- Large removable panels provide complete service access on one side of unit
- Electrical inlets are conveniently located in the cabinet

9 Drain Pan

- Deep, corrosion resistant plastic drain pan
- Reversible drain pan allows for drain outlets on either end of cabinet and can be repositioned for horizontal air flow applications
- Drain pan is removable from either side in both horizontal and vertical applications
- Blow-off baffle and extended drip shield collects condensate from the coil and directs it to the drain pan

Options/Accessories

Factory Installed

Corrosion Protection

- Polymeric epoxy coating
- Deposited by electrical transport (electrophoresis), using a process known as electrocoat (e-coat)
- Available for enhanced coil corrosion protection
- Blower housing is painted when this option is ordered

Field Installed

Float Switch

- Prevents condensate overflow by turning the unit off when the condensate level is abnormally high

OPTIONS / ACCESSORIES

ELECTRIC HEAT SECTION

Field Installed

- Furnished in a separate add-on matching cabinet
- Mounting hardware is furnished to secure cabinets together
- Pre-punched mounting holes are furnished for aligning electric heat section to air handler supply air flange
- Removable panel permits service access
- Electrical inlet provides wiring entry
- Field installed electric heaters are available in several kW sizes
- See Electric Heat Data table
- Helix wound, nichrome heating elements are exposed directly in the air stream resulting in instant heat transfer, lower coil temperatures and long service life
- Elements are accurately located and insulated from the heavy-gauge steel support frame by high quality insulators
- Elements are equipped with individual limit controls providing positive protection in case of overheating
- Sub-fusing, contactors, control relays, 24V transformer are furnished
- Certain electric heat sizes may be two-stage controlled (with field provided control) with each stage being energized only when required
- See Electric Heat Tables

HOT WATER COIL

Field Installed

- Furnished in a separate add-on matching cabinet
- Mounting hardware is furnished to secure cabinets together
- Pre-punched mounting holes are furnished for aligning hot water cabinet to air handler
- Cabinet is constructed of heavy-gauge galvanized steel
- Completely insulated with thick, foil-faced fiberglass insulation
- Removable panel permits service access
- Cabinet is reversible to allow piping on either side of unit
- Lennox designed and built coil has large face area, excellent heat transfer and low air resistance
- Constructed of precisely spaced ripple-edged aluminum fins fitted to durable copper tubes
- Fins are equipped with collars that grip tubing for maximum contact area
- Flared shoulder tubing connections and silver soldering provide tight, leakproof joints
- Long life copper tubing is easy to field service
- Coil is thoroughly factory tested under high pressure to ensure leakproof construction

NOTE - Valves and pumps must be furnished by installer.

OPTIONS / ACCESSORIES

ECONOMIZER

Field Installed

- Factory assembled and wired economizer dampers and controls are available for field installation
- Heavy-gauge galvanized steel cabinet is completely insulated with thick, matte-faced fiberglass insulation
- Large removable panels on both sides of cabinet provide complete service access
- Mounting flanges provide ease of connection to air handler unit
- Flanges on outdoor air opening and return air opening permit easy duct connection
- Damper linkage and shafts are plated

Standard Economizer Features

- Gear-driven action, return air and outdoor air dampers, plug-in connections to unit, neoprene seals, 24-volt, fully-modulating spring return motor, adjustable minimum damper position

Standard Economizer Control Module

- The Standard Economizer Control Module can be adjusted to operate based on outdoor air temperatures.



Economizer Controls:

- **Damper Minimum Position** - Can be set lower than traditional minimum air requirements resulting in cost savings
- **IAQ Sensor** - Signals dampers to modulate and maintain 13°C when CO₂ is higher than the CO₂ setpoint
- **Demand Control Ventilation (DCV) LED** - A steady green Demand Control Ventilation LED indicates the IAQ reading is higher than setpoint and requires more fresh air
- **Free Cool LED** - A steady green LED indicates outdoor air is suitable for free cooling

NOTE - Free Cooling runs when outdoor air temperature is lower than the set temperature on the economizer control.

NOTE: The Free Cooling default setting for outdoor air temperature sensor is 13°C.

High Performance Economizer Features

- ASHRAE 90.1-2010 compliant
- Gear-driven action, high torque 24-volt fully-modulating spring return damper motor, return air and outdoor air dampers, plug-in connections to unit, nylon bearings, enhanced neoprene blade edge seals and flexible stainless steel jamb seals to minimize air leakage

High Performance Economizer Control Module

- Module provides inputs and outputs to control economizer based on parameter settings
- Module automatically detects sensors by polling to determine which sensors are installed in system
- Module displays any alarm messages (fault detection and diagnostics) as an aid in troubleshooting
- Non-volatile memory retains parameter settings in case of power failure
- Keypad with four navigation buttons and LCD screen is furnished for setting economizer parameters
 - Menu Up/Exit (⬆) button returns to the main menu.
 - Arrow Up (▲) button moves to the previous or next parameter within the selected menu
 - Arrow Down (▼) button moves to the next parameter within the selected menu
 - Select (enter) (↵) button confirms parameter selection



Main Menu Structure:

- STATUS (economizer and system operation status)
- SETPOINTS (settings for various setpoint parameters)
- SYSTEM SETUP (settings/information about the system)
- ADVANCED SETUP (freeze protection, CO₂ settings, stage 3 delay and additional calibration settings)
- CHECKOUT (damper positions)
- ALARMS (output signal that can be configured for remote alarm monitoring)

NOTE - The free cooling setpoint must be set based on the Climate Zone where the system is installed. Refer to Installation Instructions for complete setup information and menu parameters available.

Differential Enthalpy Control

- Allows the outdoor air enthalpy control to select between outdoor air or return air, whichever has lower enthalpy
- Field installed in economizer damper section

Single Enthalpy Temperature Control

- Outdoor air enthalpy sensor enables Economizer if the outdoor enthalpy is less than the setpoint of the control

OPTIONAL CONVENTIONAL TEMPERATURE CONTROL SYSTEMS

Comfortsense® 7500 Commercial 7-Day Programmable Thermostat



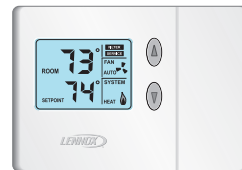
- Four-Stage Heating / Two-Stage Cooling
- Universal Multi-Stage
- Intuitive Touchscreen Interface
- Automatic Changeover between Heating and Cooling
- Full Seven-Day Programming
- Four Time Periods Per Day
- Temperature and Humidity Control
- One-Touch Away Mode
- Holiday Scheduling
- Smooth Setback Recovery (SSR)
- Performance Reports
- Notifications/Reminders
- Dehumidification/Humiditrol® Control for Split Systems and Rooftop Units
- Economizer Relay Control
- Backlit Display
- Wallplate Furnished
- FDD, ASHRAE and IECC Compliant

Comfortsense® 3000 Commercial 5-2 Day Programmable Thermostat



- Two-Stage Heating / Two-Stage Cooling
- Conventional Systems
- Intuitive Interface
- 5-2 Day Programming
- Program Hold
- Remote Indoor Temperature Sensing
- Smooth Setback Recovery (SSR)
- Economizer Relay Control
- Maintenance/Filter/Service Reminders
- Backlit Display
- Wallplate Furnished
- Simple Up and Down Temperature Control

Comfortsense® Non-Programmable Thermostat



- One-Stage Heating / Cooling
- Conventional Systems
- Intuitive Interface
- Manual Changeover
- Backlit Display
- Simple Up and Down Temperature Control

OPTIONAL CONVENTIONAL TEMPERATURE CONTROL SYSTEMS

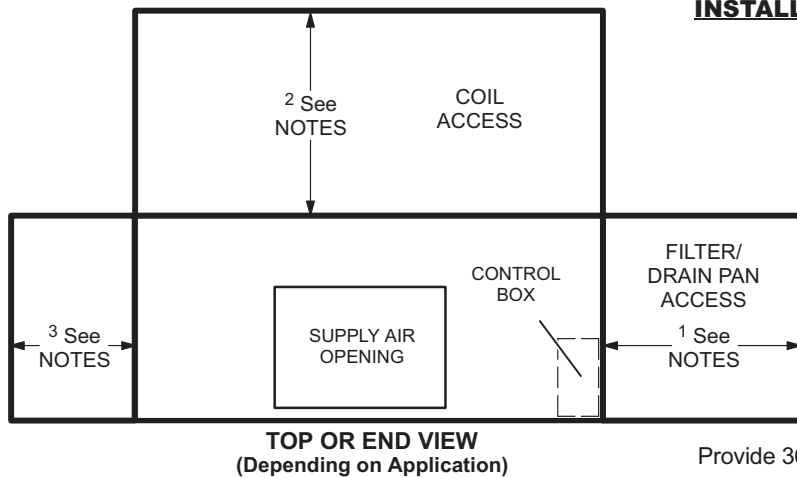
Description	Model No.	Catalog No.
Comfortsense® 7500 Commercial 7-Day Programmable Thermostat	C0STAT06FF2L	17G74
Universal thermostat locking guard (clear)	C0MISC15AE1-	39P21
Temperature Sensors	1 Remote non-adjustable wall-mount 20k	C0SNZN01AE2-
	1 Remote non-adjustable wall-mount 10k	C0SNZN73AE1-
	Remote non-adjustable discharge air (duct mount)	C0SNDC00AE1-
	Outdoor temperature sensor	C0SNSR03AE1-
		47W36
		47W37
		19L22
		X2658

¹ Remote wall-mount sensors can be applied in any of the following combinations:

- One Sensor - (1) 47W36
- Two Sensors - (2) 47W37
- Three Sensors - (2) 47W36 and (1) 47W37
- Four Sensors - (4) 47W36
- Five Sensors - (3) 47W36 and (2) 47W37

Comfortsense® 3000 Commercial 5-2 Day Programmable Thermostat	C0STAT05FF1L	11Y05
Thermostat wall mounting plate	C0MISC17AE1-	X2659
Temperature Sensor	Remote non-adjustable wall mount 10k averaging	C0SNZN73AE1-
Comfortsense® Non-Programmable Thermostat	C0STAT12AE1L	51M32

UNIT CLEARANCES



INSTALLATION CLEARANCES (WITH ELECTRIC HEAT)

- Cabinet – 0 in. (0 mm)
- To Plenum – 0 in. (0 mm)
- To Outlet Duct within 3 feet (914 mm) – 0 in. (0 mm)

RECOMMENDED SERVICE CLEARANCES

- 1 Filter Removal and Routine Maintenance:**
36 in. (914 mm)

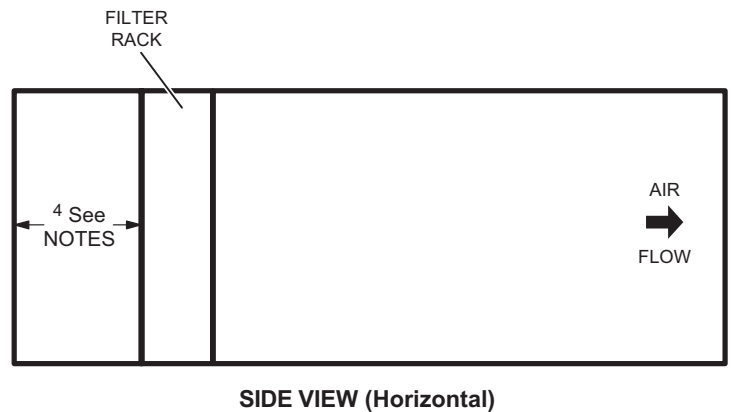
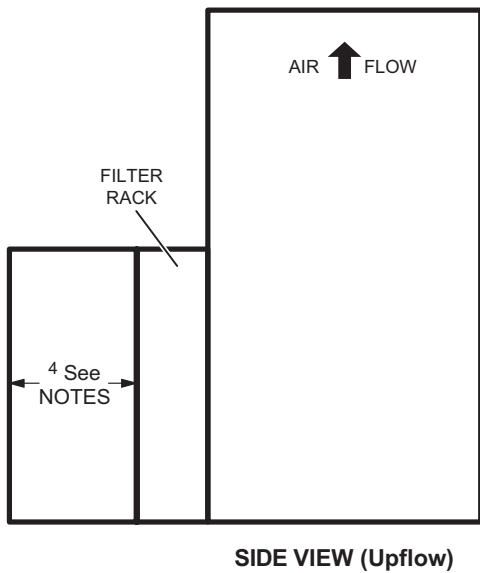
- 1 Service Clearance for Drain Pan Removal:**
ELA072, ELA090 – 57 in. (1448 mm)
ELA120, ELA150 – 73 in. (1854 mm)
ELA180, ELA240 – 102 in. (2590 mm)

- 2 Coil Cleaning (Upflow):**
All models – 36 in. (914 mm)

- 3 Alternate Coil Cleaning:**
Provide 36 in. (914 mm) on this side if top/rear access is obstructed

- 3 Alternate Drain/Refrigerant Line Location:**
Allow additional clearance if refrigerant or drain lines are routed from this side of cabinet.

- 4 Freestanding Operation With Filter Rack But Without Return Air Duct:**
All models – 24 in. (610 mm)



SPECIFICATIONS			
General Data	Model Number	ELA072S4S	ELA090S4D
	Nominal kW	21	26.1
	Blower Type	MSAV® (Multi-Stage Air Volume)	MSAV® (Multi-Stage Air Volume)
Connections	No. of Circuits	1	2
	Liquid line o.d. - in. (sweat)	(1) 5/8	(2) 5/8
	Suction/Vapor line o.d. - in. (sweat)	(1) 7/8	(2) 7/8
	Condensate drain - in. (fpt)	1 (NPT)	1 (NPT)
Refrigerant	Not Furnished	R-410A	R-410A
Evaporator Coil	Net face area - m ² (sq. ft.)	0.85 (9.2)	0.85 (9.2)
	Coil (Face) Split - 1st stage / 2nd stage (%)	- - -	50/50
	Tube diameter - mm (in.)	9.5 (3/8)	9.5 (3/8)
	Number of rows	3	4
	Fins per m (inch)	669 (17)	669 (17)
Blower and Drive		See Blower Drive Specifications Table on page 18	
	Wheel nominal diameter & width - mm (in.)	(1) 381 x 381 (15 x 15)	(1) 381 x 381 (15 x 15)
¹ Filter	Number and size - mm (in.)	(3) 406 x 635 x 51 (16 x 25 x 2)	(3) 406 x 635 x 51 (16 x 25 x 2)

¹ External Filter Rack is shipped with unit for field assembly and installation.

SPECIFICATIONS					
General Data	Model Number	ELA120S4D	ELA150S4D	ELA180S4D	ELA240S4D
	Nominal kW	35.2	44	53	70
	Blower Type	MSAV® (Multi-Stage Air Volume)	MSAV® (Multi-Stage Air Volume)	MSAV® (Multi-Stage Air Volume)	MSAV® (Multi-Stage Air Volume)
Connections	No. of Circuits	2	2	2	2
	Liquid line o.d. - in. (sweat)	(2) 5/8	(2) 5/8	(2) 5/8	(2) 5/8
	Suction/Vapor line o.d. - in. (sweat)	(2) 7/8	(2) 7/8	(2) 1-1/8	(2) 1-1/8
	Condensate drain - in. (fpt)	1 (NPT)	1 (NPT)	1 (NPT)	1 (NPT)
Refrigerant	Not Furnished	R-410A	R-410A	R-410A	R-410A
Evaporator Coil	Net face area - m ² (sq. ft.)	1.16 (12.5)	1.16 (12.5)	1.72 (18.5)	1.72 (18.5)
	Coil (Face) Split - 1st stage / 2nd stage (%)	50/50	50/50	50/50	50/50
	Tube diameter - mm (in.)	9.5 (3/8)	9.5 (3/8)	9.5 (3/8)	9.5 (3/8)
	Number of rows	4	4	3	4
	Fins per m (inch)	669 (17)	669 (17)	669 (17)	669 (17)
Blower and Drive		See Blower Drive Specifications Table on page 18			
	Wheel nominal diameter & width - mm (in.)	(1) 381 x 381 (15 x 15)		(2) 381 x 381 (15 x 15)	
¹ Filter	Number and size - mm (in.)	(4) 406 x 635 x 51 (16 x 25 x 2)		(6) 406 x 635 x 51 (16 x 25 x 2)	

¹ External Filter Rack is shipped with unit for field assembly and installation.

OPTIONS / ACCESSORIES							
Item	Catalog No.	072	090	120	150	180	240
BLOWER							
Blower Motor and Drive Kits	Factory	See page page 17					
CABINET							
Corrosion Protection	Factory	O	O	O	O	O	O
Float Switch	A2SNSR71LN1-16B29	X	X	X	X	X	X
CONTROL SYSTEMS							
BACnet® Module and Enclosure Kit	A0CTRL31LS1 17A08	X	X	X	X	X	X
BACnet® Sensor with Display	K0SNSR01FF1 97W23	X	X	X	X	X	X
BACnet® Sensor without Display	K0SNSR00FF1 97W24	X	X	X	X	X	X

NOTE - The catalog and model numbers that appear here are for ordering field installed accessories only.

O - Factory Installed with extended lead time.

X - Field Installed.

OPTIONS / ACCESSORIES

Item	Catalog No.	072	090	120	150	180	240
¹ ELECTRIC HEAT							
6.9 kW	380/420V-3ph - T3EH0010LM1G	46W55	X	X	X	X	
10.4 kW	380/420V-3ph - T3EH0015LM1G	46W56	X	X	X	X	
17.4 kW	380/420V-3ph - T3EH0025LM1G	46W57	X	X	X	X	
24.3 kW	380/420V-3ph - T3EH0035LM1G	46W58		X	X	X	
15.3 kW	380/420V-3ph - T3EH0020N-1G	46W69					X X
23.0 kW	380/420V-3ph - T3EH0030N-1G	46W70					X X
30.6 kW	380/420V-3ph - T3EH0040N-1G	49W40					X X
38.3 kW	380/420V-3ph - T3EH0050N-1G	46W71					X X

ECONOMIZER

Standard Economizers

	A2ECON31L-1	17A10	X	X			
	A2ECON31M-1	17A11			X	X	
	A2ECON31N-1	17A12					X X

High Performance Economizers

	A2ECON34L-1	17A13	X	X			
	A2ECON34M-1	17A14			X	X	
	A2ECON34N-1	17A15					X X

Economizer Controls

Single Enthalpy Control (Standard Economizer)	C1SNSR64FF1	53W64	X	X	X	X	X X
Single Enthalpy Control (High Performance Economizer)	C1NSR61FF1	11G21	X	X	X	X	X X

NOTE - FOR DIFFERENTIAL ENTHALPY CONTROL ORDER TWO OF THE SAME CONTROLS ABOVE.

HOT WATER COIL

	T2HWCL10LM1-	44W20	X	X	X	X	
	T2HWCL10N-1-	44W21					X X

INDOOR AIR QUALITY

Air Filters

¹ Healthy Climate® Air Filters 406 x 635 x 102 (16 x 25 x 4)	MERV 8 - A2FLTR16LS1-	16C78	X	X	X	X	X X
	MERV 13 (high efficiency) - A2FLTR41LS1-	16C79	X	X	X	X	X X
102 mm (4-Inch) Filter Mounting Kits	A2FLTR70L-1-	17A05	X	X			
	A2FLTR70M-1-	17A06			X	X	
	A2FLTR70N-1-	17A07					X X

Indoor Air Quality (CO₂) Sensors

Sensor - Wall-mount, off-white plastic cover with LCD display	C0SNSR50AE1L	77N39	X	X	X	X	X X
Sensor - Wall-mount, off-white plastic cover, no display	C0SNSR52AE1L	87N53	X	X	X	X	X X
Sensor - Black plastic case with LCD display, rated for plenum mounting	C0SNSR51AE1L	87N52	X	X	X	X	X X
Sensor - Wall-mount, black plastic case, no display, rated for plenum mounting	C0SNSR53AE1L	87N54	X	X	X	X	X X
CO ₂ Sensor Duct Mounting Kit	C0MISC19AE1-	85L43	X	X	X	X	X X
Aspiration Box - for duct mounting non-plenum rated CO ₂ sensor (77N39)	C0MISC16AE1-	90N43	X	X	X	X	X X

REFRIGERANT SYSTEM

Heat Pump Check Valve Kit	A2CVLV11N-1-	16G33					X
---------------------------	--------------	--------------	--	--	--	--	---

NOTE - The catalog and model numbers that appear here are for ordering field installed accessories only.

X - Field Installed.

¹ Nominal kW at 400V/3ph/50hz. Electric heat model numbers are based on nominal kW for US applications.

¹ Order 102 mm (4 in.) Filter Mounting Kit and required number of MERV 8 or MERV 13 filters: - (3) 072-090, (4) 120-150, (6) 180-240.

² Step-down transformer (380/420V to 190/210V-1ph) or separate power supply is required.

BLOWER DATA

ELA072

All data is measured external to the unit with dry coil and standard 51 mm (2 in.) air filters in place.

FOR ALL UNITS ADD:

1 - Wet indoor coil air resistance of selected unit.

2 - Any field installed accessories air resistance (electric heat, economizer, etc.) See page 19.

Then determine from table the blower motor output and drive rev/min required. See page 18 for blower drive specifications.

STATIC PRESSURE EXTERNAL TO UNIT - Pa (Inches Water Gauge)

Air Volume L/s	50 (0.2)		75 (0.3)		100 (0.4)		125 (0.5)		150 (0.6)		175 (0.7)		200 (0.8)		225 (0.9)		250 (1.0)	
	Rev min	BHP kW	Rev/ min	BHP kW	Rev/ min	BHP kW	Rev/ min	BHP kW	Rev/ min	BHP kW	Rev/ min	BHP kW	Rev/ min	BHP kW	Rev/ min	BHP kW	Rev/ min	BHP kW
566	1200	411	0.08	0.11	0.15	0.2	0.26	0.31	0.32	0.32	0.32	0.31	0.23	0.23	0.32	0.28	0.37	0.46
613	1300	416	0.10	0.14	0.17	0.23	0.29	0.34	0.36	0.36	0.36	0.35	0.26	0.26	0.36	0.31	0.41	0.5
661	1400	421	0.12	0.16	0.21	0.25	0.32	0.37	0.39	0.39	0.39	0.38	0.28	0.28	0.39	0.34	0.45	0.54
708	1500	427	0.14	0.19	0.24	0.28	0.35	0.4	0.4	0.4	0.4	0.42	0.31	0.31	0.44	0.37	0.49	0.58
755	1600	432	0.16	0.22	0.27	0.33	0.38	0.44	0.44	0.44	0.44	0.46	0.34	0.34	0.48	0.40	0.53	0.62
802	1700	438	0.18	0.24	0.29	0.35	0.41	0.47	0.47	0.47	0.47	0.5	0.37	0.37	0.52	0.43	0.58	0.67
849	1800	444	0.20	0.27	0.32	0.38	0.44	0.5	0.5	0.5	0.5	0.54	0.4	0.4	0.56	0.46	0.62	0.71
897	1900	450	0.22	0.3	0.36	0.42	0.48	0.54	0.54	0.54	0.54	0.58	0.43	0.43	0.6	0.50	0.67	0.76
944	2000	457	0.25	0.33	0.41	0.49	0.57	0.65	0.65	0.65	0.65	0.67	0.46	0.46	0.65	0.53	0.71	0.8
991	2100	464	0.27	0.36	0.44	0.52	0.6	0.68	0.68	0.68	0.68	0.72	0.49	0.49	0.69	0.57	0.76	0.85
1038	2200	471	0.30	0.4	0.51	0.6	0.7	0.8	0.8	0.8	0.8	0.84	0.51	0.51	0.74	0.60	0.81	0.9
1085	2300	478	0.32	0.43	0.54	0.64	0.74	0.84	0.84	0.84	0.84	0.88	0.54	0.54	0.79	0.64	0.86	0.95
1133	2400	485	0.35	0.47	0.59	0.7	0.81	0.91	0.91	0.91	0.91	0.95	0.57	0.57	0.83	0.71	0.88	1.01
1180	2500	493	0.38	0.51	0.63	0.75	0.86	0.97	0.97	0.97	0.97	1.0	0.6	0.6	0.88	0.76	0.96	1.06
1227	2600	500	0.41	0.55	0.68	0.81	0.93	1.04	1.04	1.04	1.04	1.08	0.63	0.63	0.93	0.80	1.01	1.12
1274	2700	508	0.44	0.59	0.72	0.86	1.0	1.11	1.11	1.11	1.11	1.15	0.66	0.66	0.99	0.85	1.07	1.18
1321	2800	516	0.47	0.63	0.77	0.92	1.06	1.21	1.21	1.21	1.21	1.25	0.69	0.69	1.04	0.84	1.13	1.25
1369	2900	523	0.50	0.67	0.82	1.0	1.15	1.3	1.3	1.3	1.3	1.37	0.72	0.72	1.1	0.95	1.19	1.31
1416	3000	531	0.53	0.71	0.89	1.1	1.39	1.59	1.59	1.59	1.59	1.63	0.76	0.76	1.15	1.01	1.26	1.38

STATIC PRESSURE EXTERNAL TO UNIT - Pa (Inches Water Gauge)

Air Volume L/s	275 (1.1)		300 (1.2)		325 (1.3)		350 (1.4)		375 (1.5)		400 (1.6)		425 (1.7)		450 (1.8)		475 (1.9)		500 (2.0)	
	Rev min	BHP kW	Rev/ min	BHP kW	Rev/ min	BHP kW	Rev/ min	BHP kW	Rev/ min	BHP kW	Rev/ min	BHP kW	Rev/ min	BHP kW	Rev/ min	BHP kW	Rev/ min	BHP kW	Rev/ min	BHP kW
566	1200	790	0.41	0.55	0.7	0.84	0.52	0.7	0.84	0.52	0.7	0.84	0.52	0.7	0.84	0.52	0.7	0.84	0.52	0.7
613	1300	793	0.44	0.59	0.74	0.87	0.55	0.74	0.87	0.55	0.74	0.87	0.55	0.74	0.87	0.55	0.74	0.87	0.55	0.74
661	1400	796	0.47	0.63	0.78	0.91	0.58	0.78	0.91	0.58	0.78	0.91	0.58	0.78	0.91	0.58	0.78	0.91	0.58	0.78
708	1500	799	0.51	0.68	0.82	0.95	0.61	0.82	0.95	0.61	0.82	0.95	0.61	0.82	0.95	0.61	0.82	0.95	0.61	0.82
755	1600	802	0.54	0.72	0.86	1.0	0.65	0.87	1.0	0.65	0.87	1.0	0.65	0.87	1.0	0.65	0.87	1.0	0.65	0.87
802	1700	805	0.57	0.76	0.9	1.04	0.68	0.91	1.04	0.68	0.91	1.04	0.68	0.91	1.04	0.68	0.91	1.04	0.68	0.91
849	1800	808	0.60	0.81	0.94	1.08	0.71	0.96	1.08	0.71	0.96	1.08	0.71	0.96	1.08	0.71	0.96	1.08	0.71	0.96
897	1900	812	0.63	0.85	1.0	1.14	0.74	0.99	1.14	0.74	0.99	1.14	0.74	0.99	1.14	0.74	0.99	1.14	0.74	0.99
944	2000	815	0.67	0.9	1.1	1.21	0.77	1.01	1.21	0.77	1.01	1.21	0.77	1.01	1.21	0.77	1.01	1.21	0.77	1.01
991	2100	819	0.71	0.95	1.14	1.29	0.81	1.06	1.29	0.81	1.06	1.29	0.81	1.06	1.29	0.81	1.06	1.29	0.81	1.06
1038	2200	823	0.75	1	1.2	1.36	0.85	1.11	1.36	0.85	1.11	1.36	0.85	1.11	1.36	0.85	1.11	1.36	0.85	1.11
1085	2300	827	0.79	1.06	1.21	1.4	0.89	1.16	1.4	0.89	1.16	1.4	0.89	1.16	1.4	0.89	1.16	1.4	0.89	1.16
1133	2400	832	0.83	1.11	1.27	1.46	0.93	1.21	1.46	0.93	1.21	1.46	0.93	1.21	1.46	0.93	1.21	1.46	0.93	1.21
1180	2500	836	0.87	1.17	1.33	1.52	0.97	1.26	1.52	0.97	1.26	1.52	0.97	1.26	1.52	0.97	1.26	1.52	0.97	1.26
1227	2600	841	0.92	1.23	1.4	1.59	1.01	1.31	1.59	1.01	1.31	1.59	1.01	1.31	1.59	1.01	1.31	1.59	1.01	1.31
1274	2700	846	0.96	1.29	1.46	1.63	1.04	1.39	1.63	1.04	1.39	1.63	1.04	1.39	1.63	1.04	1.39	1.63	1.04	1.39
1321	2800	852	1.01	1.36	1.52	1.69	1.09	1.46	1.69	1.09	1.46	1.69	1.09	1.46	1.69	1.09	1.46	1.69	1.09	1.46
1369	2900	857	1.07	1.43	1.59	1.75	1.13	1.52	1.75	1.13	1.52	1.75	1.13	1.52	1.75	1.13	1.52	1.75	1.13	1.52
1416	3000	863	1.11	1.49	1.65	1.81	1.17	1.56	1.81	1.17	1.56	1.81	1.17	1.56	1.81	1.17	1.56	1.81	1.17	1.56

BLOWER DATA

All data is measured external to the unit with dry coil and standard 51 mm (2 in.) air filters in place.

FOR ALL UNITS ADD:

1 - Wet indoor coil air resistance of selected unit.

2 - Any field installed accessories air resistance (electric heat, economizer, etc.) See page 19.

Then determine from table the blower motor output and drive rev/min required. See page 18 for blower drive specifications.

Table with 58 columns: Air Volume (L/s, cfm), 50 (0.2), 75 (0.3), 100 (0.4), 125 (0.5), 150 (0.6), 175 (0.7), 200 (0.8), 225 (0.9), 250 (1.0). Each column contains Rev/min, BHP, kW, and BHP values.

Table with 58 columns: Air Volume (L/s, cfm), 275 (1.1), 300 (1.2), 325 (1.3), 350 (1.4), 375 (1.5), 400 (1.6), 425 (1.7), 450 (1.8), 475 (1.9), 500 (2.0). Each column contains Rev/min, BHP, kW, and BHP values.

1 Airflow exceeding 188 L/s per 3.5 kW (400 cfm per ton) is not recommended in high humidity applications.

BLOWER DATA

ELA120

All data is measured external to the unit with dry coil and standard 51 mm (2 in.) air filters in place.
 FOR ALL UNITS ADD:

- 1 - Wet indoor coil air resistance of selected unit.
 - 2 - Any field installed accessories air resistance (electric heat, economizer, etc.) See page 19.
- Then determine from table the blower motor output and drive rev/min required. See page 18 for blower drive specifications.

Air Volume		STATIC PRESSURE EXTERNAL TO UNIT - Pa (Inches Water Gauge)																						
		50 (0.2)		75 (0.3)		100 (0.4)		125 (0.5)		150 (0.6)		175 (0.7)		200 (0.8)		225 (0.9)		250 (1.0)						
L/s	cfm	Rev min	BHP	Rev/ min	BHP	Rev/ min	BHP	Rev/ min	BHP	Rev/ min	BHP	Rev/ min	BHP	Rev/ min	BHP	Rev/ min	BHP	Rev/ min	BHP	Rev/ min	BHP	Rev/ min		
944	2000	484	0.23	0.31	0.29	0.39	0.35	0.47	0.55	0.618	0.47	0.63	0.657	0.53	0.71	0.695	0.60	0.8	0.87	0.65	0.87	0.766	0.70	0.94
1038	2200	492	0.28	0.38	0.34	0.46	0.40	0.54	0.58	0.62	0.52	0.7	0.665	0.58	0.78	0.703	0.65	0.87	0.738	0.71	0.95	0.772	0.76	1.02
1133	2400	501	0.34	0.46	0.40	0.54	0.46	0.61	0.69	0.635	0.57	0.77	0.673	0.64	0.86	0.710	0.70	0.94	0.745	0.76	1.02	0.778	0.82	1.1
1227	2600	511	0.40	0.54	0.46	0.62	0.51	0.69	0.67	0.77	0.644	0.63	0.85	0.681	0.70	0.94	0.77	1.03	0.752	0.83	1.11	0.785	0.89	1.19
1321	2800	521	0.47	0.63	0.52	0.7	0.58	0.78	0.617	0.85	0.653	0.70	0.94	0.690	1.02	0.726	0.83	1.11	0.760	0.90	1.2	0.792	0.95	1.28
1416	3000	532	0.54	0.72	0.59	0.79	0.65	0.87	0.628	0.94	0.664	0.77	1.03	0.700	0.84	1.12	0.90	1.21	0.768	0.97	1.3	0.800	1.03	1.38
1510	3200	544	0.60	0.81	0.66	0.88	0.606	0.72	0.96	0.640	0.78	1.04	0.91	1.22	0.744	0.98	1.31	1.777	1.05	1.41	1.608	1.11	1.49	
1604	3400	556	0.67	0.9	0.586	0.73	0.98	0.618	0.79	1.06	0.652	0.85	1.14	0.687	0.92	1.23	1.54	1.43	0.786	1.13	1.52	0.816	1.20	1.61
1699	3600	570	0.75	1.01	0.600	0.81	1.09	0.632	0.87	1.17	0.665	0.94	1.26	0.699	1.01	1.35	1.75	1.54	0.795	1.22	1.64	0.825	1.29	1.73
1793	3800	585	0.84	1.12	0.615	0.90	1.21	0.647	0.96	1.29	0.679	1.03	1.38	0.712	1.10	1.47	1.84	1.66	0.806	1.31	1.76	0.835	1.39	1.86
1888	4000	600	0.93	1.25	0.631	1.00	1.34	0.662	1.06	1.42	0.694	1.13	1.51	0.725	1.19	1.59	1.96	1.79	0.817	1.42	1.9	0.845	1.49	2
1982	4200	617	1.03	1.38	0.647	1.10	1.47	0.678	1.16	1.55	0.709	1.22	1.64	0.739	1.29	1.73	2.04	1.93	0.828	1.52	2.04	0.856	1.60	2.15
2076	4400	635	1.14	1.53	0.664	1.20	1.61	0.694	1.26	1.69	0.724	1.33	1.78	0.754	1.40	1.87	2.23	2.07	0.840	1.63	2.19	0.867	1.73	2.32
2171	4600	653	1.25	1.68	0.682	1.31	1.76	0.711	1.37	1.84	0.740	1.43	1.92	0.768	1.50	2.01	2.32	2.23	0.852	1.76	2.36	0.879	1.87	2.51
2265	4800	672	1.37	1.83	0.700	1.42	1.91	0.728	1.48	1.99	0.756	1.55	2.08	0.783	1.62	2.17	2.41	2.41	0.865	1.91	2.56	0.891	2.02	2.71

Air Volume		STATIC PRESSURE EXTERNAL TO UNIT - Pa (Inches Water Gauge)																													
		275 (1.1)		300 (1.2)		325 (1.3)		350 (1.4)		375 (1.5)		400 (1.6)		425 (1.7)		450 (1.8)		475 (1.9)		500 (2.0)											
L/s	cfm	Rev min	BHP	Rev/ min	BHP	Rev/ min	BHP	Rev/ min	BHP	Rev/ min	BHP	Rev/ min	BHP	Rev/ min	BHP	Rev/ min	BHP	Rev/ min	BHP	Rev/ min	BHP	Rev/ min	BHP	Rev/ min							
944	2000	798	0.75	1.01	0.828	0.80	1.07	0.857	0.84	1.13	0.885	0.89	1.19	0.912	0.94	1.26	0.938	0.99	1.33	0.963	1.04	1.4	0.987	1.10	1.47	1.012	1.15	1.54	1.035	1.21	1.62
1038	2200	804	0.81	1.09	0.834	0.86	1.15	0.863	0.91	1.22	0.890	0.96	1.29	0.917	1.01	1.36	0.943	1.07	1.43	0.968	1.12	1.5	0.992	1.18	1.58	1.017	1.24	1.66	1.040	1.30	1.74
1133	2400	810	0.87	1.17	0.840	0.93	1.24	0.869	0.98	1.31	0.896	1.03	1.38	0.922	1.09	1.46	0.948	1.15	1.54	0.973	1.21	1.62	0.998	1.27	1.7	1.022	1.33	1.78	1.045	1.40	1.87
1227	2600	816	0.94	1.26	0.846	0.99	1.33	0.875	1.05	1.41	0.902	1.11	1.49	0.928	1.17	1.57	0.954	1.24	1.66	0.978	1.31	1.75	1.003	1.37	1.83	1.027	1.43	1.92	1.051	1.50	2.01
1321	2800	823	1.01	1.36	0.853	1.07	1.43	0.881	1.13	1.52	0.908	1.19	1.6	0.934	1.26	1.69	0.959	1.34	1.79	0.984	1.40	1.88	1.008	1.47	1.97	1.032	1.54	2.07	1.056	1.61	2.16
1416	3000	830	1.09	1.46	0.859	1.15	1.54	0.887	1.22	1.63	0.914	1.29	1.73	0.940	1.37	1.83	0.965	1.44	1.93	0.990	1.51	2.03	1.014	1.59	2.13	1.038	1.66	2.22	1.062	1.73	2.32
1510	3200	838	1.17	1.57	0.867	1.24	1.66	0.894	1.31	1.76	0.920	1.39	1.86	0.946	1.47	1.97	0.971	1.55	2.08	0.996	1.63	2.18	1.020	1.71	2.29	1.044	1.78	2.39	1.068	1.86	2.49
1604	3400	846	1.26	1.69	0.874	1.34	1.79	0.901	1.41	1.89	0.927	1.49	2	0.953	1.58	2.12	0.978	1.67	2.24	1.002	1.75	2.35	1.026	1.84	2.46	1.050	1.92	2.57	1.074	2.00	2.68
1699	3600	854	1.36	1.82	0.882	1.43	1.92	0.909	1.52	2.04	0.935	1.61	2.16	0.960	1.71	2.29	0.984	1.80	2.41	1.008	1.89	2.53	1.032	1.98	2.65	1.056	2.06	2.76	1.080	2.14	2.87
1793	3800	864	1.46	1.96	0.891	1.54	2.07	0.917	1.64	2.2	0.942	1.74	2.33	0.967	1.84	2.46	0.991	1.93	2.59	1.015	2.03	2.72	1.039	2.12	2.84	1.062	2.21	2.96	1.086	2.29	3.07
1888	4000	873	1.57	2.11	0.900	1.67	2.24	0.925	1.77	2.37	0.950	1.87	2.51	0.975	1.98	2.65	0.998	2.08	2.79	1.022	2.13	3.13	1.052	2.42	3.25	1.075	2.52	3.38	1.092	2.45	3.28
1982	4200	883	1.70	2.28	0.909	1.80	2.41	0.934	1.91	2.56	0.959	2.01	2.7	0.982	2.13	2.85	1.006	2.23	2.99	1.029	2.33	3.13	1.052	2.42	3.25	1.075	2.52	3.38	1.092	2.61	3.5
2076	4400	894	1.84	2.46	0.919	1.95	2.61	0.944	2.06	2.76	0.967	2.17	2.91	0.991	2.28	3.06	1.014	2.39	3.21	1.037	2.50	3.35	1.059	2.60	3.48	1.083	2.69	3.6	1.106	2.78	3.73
2171	4600	905	1.98	2.66	0.930	2.10	2.82	0.953	2.22	2.98	0.977	2.34	3.14	1.000	2.45	3.29	1.022	2.57	3.44	1.045	2.67	3.58	1.067	2.77	3.71	1.090	2.86	3.84	1.114	2.96	3.97
2265	4800	916	2.15	2.88	0.941	2.28	3.05	0.964	2.40	3.22	0.987	2.52	3.38	1.009	2.64	3.54	1.031	2.75	3.69	1.053	2.86	3.83	1.076	2.96	3.97	1.099	3.06	4.1	1.123	3.16	4.23

BLOWER DATA

ELA150

All data is measured external to the unit with dry coil and standard 51 mm (2 in.) air filters in place.

FOR ALL UNITS ADD:

1 - Wet indoor coil air resistance of selected unit.

2 - Any field installed accessories air resistance (electric heat, economizer, etc.) See page 19.

Then determine from table the blower motor output and drive rev/min required. See page 18 for blower drive specifications.

Air Volume		STATIC PRESSURE EXTERNAL TO UNIT - Pa (Inches Water Gauge)																										
		50 (0.2)		75 (0.3)		100 (0.4)		125 (0.5)		150 (0.6)		175 (0.7)		200 (0.8)		225 (0.9)		250 (1.0)										
L/s	cfm	Rev/min	BHP	Rev/min	BHP	Rev/min	BHP	Rev/min	BHP	Rev/min	BHP	Rev/min	BHP	Rev/min	BHP	Rev/min	BHP	Rev/min	BHP									
1227	2600	511	0.40	0.54	541	0.46	0.62	573	0.51	0.69	607	0.57	0.77	644	0.63	0.85	681	0.70	0.94	718	0.77	1.03	752	0.83	1.11	785	0.89	1.19
1321	2800	521	0.47	0.63	551	0.52	0.7	583	0.58	0.78	617	0.63	0.85	653	0.70	0.94	690	0.76	1.02	726	0.83	1.11	760	0.90	1.2	792	0.95	1.28
1416	3000	532	0.54	0.72	562	0.59	0.79	594	0.65	0.87	628	0.70	0.94	664	0.77	1.03	700	0.84	1.12	735	0.90	1.21	768	0.97	1.3	800	1.03	1.38
1510	3200	544	0.60	0.81	574	0.66	0.88	606	0.72	0.96	640	0.78	1.04	675	0.84	1.12	710	0.91	1.22	744	0.98	1.31	777	1.05	1.41	808	1.11	1.49
1604	3400	556	0.67	0.9	586	0.73	0.98	618	0.79	1.06	652	0.85	1.14	687	0.92	1.23	721	0.99	1.33	754	1.07	1.43	786	1.13	1.52	816	1.20	1.61
1699	3600	570	0.75	1.01	600	0.81	1.09	632	0.87	1.17	665	0.94	1.26	699	1.01	1.35	732	1.07	1.44	764	1.15	1.54	795	1.22	1.64	825	1.29	1.73
1793	3800	585	0.84	1.12	615	0.90	1.21	647	0.96	1.29	679	1.03	1.38	712	1.10	1.47	744	1.16	1.56	775	1.24	1.66	806	1.31	1.76	835	1.39	1.86
1888	4000	600	0.93	1.25	631	1.00	1.34	662	1.06	1.42	694	1.13	1.51	725	1.19	1.59	757	1.26	1.69	787	1.34	1.79	817	1.42	1.9	845	1.49	2
1982	4200	617	1.03	1.38	647	1.10	1.47	678	1.16	1.55	709	1.22	1.64	739	1.29	1.73	769	1.36	1.82	799	1.44	1.93	828	1.52	2.04	856	1.60	2.15
2076	4400	635	1.14	1.53	664	1.20	1.61	694	1.26	1.69	724	1.33	1.78	754	1.40	1.87	783	1.46	1.96	812	1.54	2.07	840	1.63	2.19	867	1.73	2.32
2171	4600	653	1.25	1.68	682	1.31	1.76	711	1.37	1.84	740	1.43	1.92	768	1.50	2.01	797	1.57	2.11	825	1.66	2.23	852	1.76	2.36	879	1.87	2.51
2265	4800	672	1.37	1.83	700	1.42	1.91	728	1.48	1.99	756	1.55	2.08	783	1.62	2.17	811	1.70	2.28	838	1.80	2.41	865	1.91	2.56	891	2.02	2.71
2360	5000	691	1.48	1.99	719	1.54	2.07	745	1.61	2.16	772	1.68	2.25	799	1.76	2.36	826	1.85	2.48	852	1.95	2.62	879	2.07	2.77	904	2.19	2.94
2454	5200	711	1.61	2.16	737	1.67	2.24	763	1.74	2.33	789	1.82	2.44	815	1.90	2.55	841	2.01	2.69	867	2.12	2.84	893	2.25	3.01	917	2.39	3.2
2548	5400	731	1.75	2.34	756	1.81	2.43	781	1.89	2.53	806	1.97	2.64	832	2.07	2.78	857	2.19	2.93	882	2.31	3.09	907	2.45	3.28	931	2.59	3.47
2643	5600	751	1.89	2.53	775	1.96	2.63	799	2.04	2.74	824	2.14	2.87	849	2.25	3.02	874	2.38	3.19	898	2.51	3.37	922	2.66	3.57	946	2.81	3.77
2737	5800	770	2.04	2.74	794	2.13	2.85	818	2.22	2.98	842	2.33	3.13	866	2.45	3.29	891	2.59	3.47	915	2.75	3.68	938	2.90	3.89	961	3.06	4.1
2831	6000	790	2.22	2.97	813	2.31	3.1	837	2.42	3.25	860	2.54	3.41	884	2.68	3.59	908	2.83	3.79	932	2.99	4.01	955	3.16	4.23	977	3.32	4.45

Air Volume		STATIC PRESSURE EXTERNAL TO UNIT - Pa (Inches Water Gauge)																													
		275 (1.1)		300 (1.2)		325 (1.3)		350 (1.4)		375 (1.5)		400 (1.6)		425 (1.7)		450 (1.8)		475 (1.9)		500 (2.0)											
L/s	cfm	Rev/min	BHP	Rev/min	BHP	Rev/min	BHP	Rev/min	BHP	Rev/min	BHP	Rev/min	BHP	Rev/min	BHP	Rev/min	BHP	Rev/min	BHP	Rev/min	BHP										
1227	2600	816	0.94	1.26	846	0.99	1.33	875	1.05	1.41	902	1.11	1.49	928	1.17	1.57	954	1.24	1.66	978	1.31	1.75	1003	1.37	1.83	1027	1.43	1.92	1051	1.50	2.01
1321	2800	823	1.01	1.36	853	1.07	1.43	881	1.13	1.52	908	1.19	1.6	934	1.26	1.69	959	1.34	1.79	984	1.40	1.88	1008	1.47	1.97	1032	1.54	2.07	1056	1.61	2.16
1416	3000	830	1.09	1.46	859	1.15	1.54	887	1.22	1.63	914	1.29	1.73	940	1.37	1.83	965	1.44	1.93	990	1.51	2.03	1014	1.59	2.13	1038	1.66	2.22	1062	1.73	2.32
1510	3200	838	1.17	1.57	867	1.24	1.66	894	1.31	1.76	920	1.39	1.86	946	1.47	1.97	971	1.55	2.08	996	1.63	2.18	1020	1.71	2.29	1044	1.78	2.39	1068	1.86	2.49
1604	3400	846	1.26	1.69	874	1.34	1.79	901	1.41	1.89	927	1.49	2	953	1.58	2.12	978	1.67	2.24	1002	1.75	2.35	1026	1.84	2.46	1050	1.92	2.57	1074	2.00	2.68
1699	3600	854	1.36	1.82	882	1.43	1.92	909	1.52	2.04	935	1.61	2.16	960	1.71	2.29	984	1.80	2.41	1008	1.89	2.53	1032	1.98	2.65	1056	2.06	2.76	1080	2.14	2.87
1793	3800	864	1.46	1.96	891	1.54	2.07	917	1.64	2.2	942	1.74	2.33	967	1.84	2.46	991	1.93	2.59	1015	2.03	2.72	1039	2.12	2.84	1062	2.21	2.96	1086	2.29	3.07
1888	4000	873	1.57	2.11	900	1.67	2.24	925	1.77	2.37	950	1.87	2.51	975	1.98	2.65	998	2.08	2.79	1022	2.18	2.92	1045	2.27	3.04	1069	3.16	1092	2.45	3.28	
1982	4200	883	1.70	2.28	909	1.80	2.41	934	1.91	2.56	959	2.01	2.7	982	2.13	2.85	1006	2.23	2.99	1029	2.33	3.13	1052	2.42	3.25	1075	3.38	1099	2.61	3.5	
2076	4400	894	1.84	2.46	919	1.95	2.61	944	2.06	2.76	967	2.17	2.91	991	2.28	3.06	1014	2.39	3.21	1037	2.50	3.35	1059	2.60	3.48	1083	3.6	1106	2.78	3.73	
2171	4600	905	1.98	2.66	930	2.10	2.82	953	2.22	2.98	977	2.34	3.14	1000	2.45	3.29	1022	2.57	3.44	1045	2.67	3.58	1067	2.77	3.71	1090	3.84	1114	2.96	3.97	
2265	4800	916	2.15	2.88	941	2.28	3.05	964	2.40	3.22	987	2.52	3.38	1009	2.64	3.54	1031	2.75	3.69	1053	2.86	3.83	1076	2.96	3.97	1099	4.1	1123	3.16	4.23	
2360	5000	929	2.33	3.12	952	2.46	3.3	975	2.59	3.47	997	2.72	3.64	1019	2.83	3.8	1041	2.95	3.95	1063	3.06	4.1	1085	3.16	4.23	1108	4.37	1132	3.36	4.5	
2454	5200	941	2.52	3.38	964	2.66	3.57	987	2.80	3.75	1008	2.92	3.92	1030	3.04	4.08	1051	3.16	4.23	1073	3.27	4.38	1095	3.36	4.51	1118	4.65	1142	3.57	4.78	
2548	5400	955	2.74	3.67	977	2.88	3.86	999	3.01	4.04	1020	3.14	4.21	1041	3.26	4.37	1063	3.38	4.53	1084	3.48	4.67	1106	3.59	4.81	1129	5.08	1153	3.79	5.08	
2643	5600	969	2.96	3.97	990	3.11	4.17	1012	3.25	4.35	1033	3.37	4.52	1054	3.49	4.68	1074	3.61	4.84	1096	3.72	4.98	1117	3.81	5.11	1140	5.25	1165	4.01	5.38	
2737	5800	983	3.21	4.3	1005	3.36	4.5	1025	3.49	4.68	1046	3.62	4.85	1066	3.74	5.01	1087	3.85	5.16	1108	3.95	5.3	1130	4.05	5.43	1153	5.71	1177	4.25	5.7	
2831	6000	998	3.47	4.65	1019	3.61	4.84	1040	3.75	5.03	1060	3.88	5.2	1080	3.99	5.35	1100	4.10	5.5	1121	4.20	5.63	1143	4.30	5.76	1166	6.08	1190	4.50	6.03	

¹ Airflow exceeding 188 L/s per 3.5 kW (400 cfm per ton) is not recommended in high humidity applications.

BLOWER DATA

BLOWER DRIVE SPECIFICATIONS

Static	REV/MIN Range	Motor kW		Motor HP		072	090	120	150	180	240
		Nominal	Maximum	Nominal	Maximum						
Low	563 - 798	1.1	1.1	1.5	1.5	O	---	---	---	---	---
Standard	798 - 1033	1.1	1.1	1.5	1.5	S	---	---	---	---	---
High	878 - 1097	1.5	1.5	2	2	O	---	---	---	---	---
Low	562 - 796	1.5	1.5	2	2	---	O	---	---	---	---
Standard	796 - 1030	1.5	1.5	2	2	---	S	---	---	---	---
High	865 - 1071	2.2	2.2	3	3	---	O	---	---	---	---
Low	560 - 793	1.5	1.5	2	2	---	---	O	---	---	---
Standard	793 - 1027	2.2	2.2	3	3	---	---	S	---	---	---
High	865 - 1071	2.2	2.2	3	3	---	---	O	---	---	---
Low	653 - 887	2.2	2.2	3	3	---	---	---	O	---	---
Standard	846 - 1081	3.5	3.5	5	5	---	---	---	S	---	---
High	896 - 1146	3.5	3.5	5	5	---	---	---	O	---	---
Low	598 - 820	2.2	2.2	3	3	---	---	---	---	O	---
Standard	820 - 1041	3.5	3.5	5	5	---	---	---	---	S	---
High	875 - 1111	3.5	3.5	5	5	---	---	---	---	O	---
Low	689 - 875	3.5	3.5	5	5	---	---	---	---	---	O
Standard	810 - 1036	5.6	5.6	7.5	7.5	---	---	---	---	---	S
High	963 - 1232	5.6	5.6	7.5	7.5	---	---	---	---	---	O

NOTE - Using total air volume and system static pressure requirements, determine from blower performance tables Rev/min and motor horsepower required. Maximum usable horsepower of motors furnished by Lennox are shown. If motors of comparable horsepower are used, be sure to keep within the service factor limitations outlined on the motor nameplate.

S - Factory installed standard

O - Factory Installed with extended lead time.

BLOWER MOTOR ELECTRICAL DATA

		Model No.	072	090	120	150	180	240
1.1 kW (1.5 HP) Blower Motor	Maximum Overcurrent Protection / Minimum Circuit Ampacity	380/420V-50hz-3ph	15 / 4	---	---	---	---	---
1.5 kW (2 HP) Blower Motor	Maximum Overcurrent Protection / Minimum Circuit Ampacity	380/420V-50hz-3ph	15 / 5	15 / 5	15 / 5	---	---	---
2.2 kW (3 HP) Blower Motor	Maximum Overcurrent Protection / Minimum Circuit Ampacity	380/420V-50hz-3ph	---	15 / 6	15 / 6	15 / 6	15 / 6	---
3.5 kW (5 HP) Blower Motor	Maximum Overcurrent Protection / Minimum Circuit Ampacity	380/420V-50hz-3ph	---	---	---	15 / 10	15 / 10	15 / 10
5.6 kW (7.5 HP) Blower Motor	Maximum Overcurrent Protection / Minimum Circuit Ampacity	380/420V-50hz-3ph	---	---	---	---	---	20 / 14

BLOWER DATA

ELA072-090 ACCESSORY AIR RESISTANCE

Air Volume		Total Resistance													
		Wet Coil				102 mm (4-Inch) Filters				Economizer		Electric Heat		Hot Water Coil	
		072		090		MERV 8		MERV 13							
L/s	cfm	Pa	in. w.g.	Pa	in. w.g.	Pa	in. w.g.	Pa	in. w.g.	Pa	in. w.g.	Pa	in. w.g.	Pa	in. w.g.
755	1600	12	0.05	17	0.07	0	0	7	0.03	5	0.02	0	0.00	20	0.08
802	1700	15	0.06	20	0.08	0	0	7	0.03	7	0.03	0	0.00	22	0.09
849	1800	15	0.06	22	0.09	0	0	7	0.03	7	0.03	0	0.00	25	0.10
897	1900	17	0.07	22	0.09	0	0	7	0.03	10	0.04	5	0.02	30	0.12
944	2000	17	0.07	25	0.10	0	0	7	0.03	10	0.04	5	0.02	32	0.13
991	2100	20	0.08	27	0.11	0	0	10	0.04	10	0.04	5	0.02	35	0.14
1038	2200	20	0.08	27	0.11	0	0	10	0.04	12	0.05	5	0.02	37	0.15
1085	2300	22	0.09	30	0.12	0	0	10	0.04	12	0.05	7	0.03	40	0.16
1133	2400	25	0.10	32	0.13	0	0	12	0.05	12	0.05	7	0.03	42	0.17
1180	2500	25	0.10	35	0.14	0	0	12	0.05	15	0.06	7	0.03	45	0.18
1227	2600	27	0.11	37	0.15	0	0	15	0.06	15	0.06	7	0.03	47	0.19
1274	2700	30	0.12	40	0.16	0	0	15	0.06	17	0.07	10	0.04	50	0.20
1321	2800	30	0.12	42	0.17	0	0	17	0.07	17	0.07	10	0.04	52	0.21
1369	2900	32	0.13	45	0.18	0	0	17	0.07	20	0.08	10	0.04	57	0.23
1416	3000	35	0.14	47	0.19	0	0	20	0.08	20	0.08	12	0.05	60	0.24
1463	3100	35	0.14	50	0.20	0	0	20	0.08	22	0.09	12	0.05	62	0.25
1510	3200	37	0.15	52	0.21	0	0	22	0.09	22	0.09	12	0.05	67	0.27
1557	3300	40	0.16	55	0.22	0	0	25	0.10	25	0.10	15	0.06	70	0.28
1604	3400	42	0.17	57	0.23	0	0	25	0.10	25	0.10	15	0.06	72	0.29
1652	3500	45	0.18	60	0.24	0	0	27	0.11	27	0.11	15	0.06	77	0.31
1699	3600	45	0.18	62	0.25	0	0	30	0.12	30	0.12	15	0.06	80	0.32

ELA120-150 ACCESSORY AIR RESISTANCE

Air Volume		Total Resistance - in. w.g.													
		Wet Coil				102 mm (4-Inch) Filters				Economizer		Electric Heat		Hot Water Coil	
		120		150		MERV 8		MERV 13							
L/s	cfm	Pa	in. w.g.	Pa	in. w.g.	Pa	in. w.g.	Pa	in. w.g.	Pa	in. w.g.	Pa	in. w.g.	Pa	in. w.g.
1038	2200	17	0.07	17	0.07	0	0	2	0.01	7	0.03	7	0.03	37	0.15
1133	2400	20	0.08	20	0.08	0	0	5	0.02	7	0.03	7	0.03	42	0.17
1227	2600	22	0.09	22	0.09	0	0	5	0.02	7	0.03	10	0.04	50	0.20
1321	2800	25	0.10	25	0.10	0	0	5	0.02	10	0.04	10	0.04	55	0.22
1416	3000	27	0.11	27	0.11	0	0	7	0.03	10	0.04	12	0.05	60	0.24
1510	3200	30	0.12	30	0.12	0	0	7	0.03	10	0.04	12	0.05	67	0.27
1604	3400	35	0.14	35	0.14	0	0	7	0.03	12	0.05	15	0.06	72	0.29
1699	3600	37	0.15	37	0.15	0	0	7	0.03	12	0.05	15	0.06	80	0.32
1793	3800	40	0.16	40	0.16	0	0	10	0.04	12	0.05	15	0.06	87	0.35
1888	4000	45	0.18	45	0.18	0	0	10	0.04	15	0.06	20	0.08	94	0.38
1982	4200	47	0.19	47	0.19	0	0	12	0.05	15	0.06	20	0.08	102	0.41
2076	4400	50	0.20	50	0.20	0	0	15	0.06	17	0.07	22	0.09	109	0.44
2171	4600	55	0.22	55	0.22	0	0	17	0.07	17	0.07	22	0.09	117	0.47
2265	4800	57	0.23	57	0.23	0	0	20	0.08	20	0.08	25	0.10	127	0.51
2360	5000	62	0.25	62	0.25	0	0	25	0.10	20	0.08	25	0.10	134	0.54
2454	5200	67	0.27	67	0.27	0	0	30	0.12	22	0.09	27	0.11	144	0.58
2548	5400	70	0.28	70	0.28	0	0	35	0.14	22	0.09	27	0.11	152	0.61
2643	5600	75	0.30	75	0.30	0	0	42	0.17	25	0.10	32	0.13	162	0.65
2737	5800	80	0.32	80	0.32	0	0	50	0.20	25	0.10	32	0.13	172	0.69
2831	6000	82	0.33	82	0.33	0	0	60	0.24	27	0.11	35	0.14	179	0.72

BLOWER DATA

ELA180-240 ACCESSORY AIR RESISTANCE

Air Volume		Total Resistance - in. w.g.													
		Wet Coil				102 mm (4-Inch) Filters				Economizer		Electric Heat		Hot Water Coil	
		180		240		MERV 8		MERV 13							
L/s	cfm	Pa	in. w.g.	Pa	in. w.g.	Pa	in. w.g.	Pa	in. w.g.	Pa	in. w.g.	Pa	in. w.g.	Pa	in. w.g.
1534	3250	17	0.07	15	0.06	0	0	2	0.01	5	0.02	10	0.04	40	0.16
1652	3500	17	0.07	17	0.07	0	0	2	0.01	5	0.02	12	0.05	45	0.18
1770	3750	20	0.08	20	0.08	0	0	5	0.02	7	0.03	15	0.06	50	0.20
1888	4000	20	0.08	22	0.09	0	0	5	0.02	7	0.03	15	0.06	55	0.22
2006	4250	22	0.09	22	0.09	0	0	5	0.02	7	0.03	17	0.07	57	0.23
2124	4500	20	0.08	27	0.11	0	0	7	0.03	12	0.05	15	0.06	60	0.24
2242	4750	22	0.09	30	0.12	0	0	7	0.03	15	0.06	20	0.08	65	0.26
2360	5000	25	0.10	32	0.13	0	0	7	0.03	17	0.07	22	0.09	70	0.28
2477	5250	27	0.11	35	0.14	0	0	10	0.04	17	0.07	22	0.09	77	0.31
2595	5500	27	0.11	37	0.15	0	0	10	0.04	20	0.08	27	0.11	82	0.33
2713	5750	30	0.12	40	0.16	0	0	10	0.04	20	0.08	27	0.11	87	0.35
2831	6000	32	0.13	45	0.18	0	0	12	0.05	25	0.10	30	0.12	94	0.38
2949	6250	35	0.14	47	0.19	0	0	12	0.05	27	0.11	35	0.14	99	0.40
3067	6500	37	0.15	50	0.20	0	0	15	0.06	27	0.11	35	0.14	107	0.43
3185	6750	40	0.16	52	0.21	0	0	15	0.06	30	0.12	37	0.15	114	0.46
3303	7000	42	0.17	55	0.22	0	0	17	0.07	30	0.12	37	0.15	119	0.48
3421	7250	45	0.18	60	0.24	0	0	17	0.07	32	0.13	42	0.17	127	0.51
3539	7500	47	0.19	62	0.25	0	0	20	0.08	32	0.13	42	0.17	134	0.54
3657	7750	47	0.19	65	0.26	0	0	22	0.09	35	0.14	45	0.18	142	0.57
3775	8000	52	0.21	70	0.28	0	0	22	0.09	40	0.16	50	0.20	149	0.60
3893	8250	55	0.22	72	0.29	0	0	25	0.10	40	0.16	50	0.20	157	0.63
4011	8500	57	0.23	77	0.31	0	0	27	0.11	42	0.17	52	0.21	164	0.66
4129	8750	60	0.24	80	0.32	0	0	30	0.12	42	0.17	52	0.21	172	0.69
4247	9000	62	0.25	82	0.33	0	0	35	0.14	45	0.18	57	0.23	179	0.72
4365	9250	65	0.26	87	0.35	0	0	37	0.15	47	0.19	60	0.24	189	0.76
4483	9500	67	0.27	90	0.36	0	0	40	0.16	50	0.20	65	0.26	196	0.79
4601	9750	70	0.28	94	0.38	0	0	45	0.18	55	0.22	67	0.27	204	0.82
4719	10,000	72	0.29	99	0.40	0	0	47	0.19	57	0.23	72	0.29	214	0.86

OPTIONAL ELECTRIC HEAT DATA

ELA072 | ELA090

¹ Electric Heat Size	No. of Steps	Volts Input	kW Input	² Btuh Output	ELA072		ELA090			
					Total Unit + Electric Heat		Total Unit + Electric Heat			
					³ Minimum Circuit Ampacity	⁴ Maximum Overcurrent Protection	³ Minimum Circuit Ampacity		⁴ Maximum Overcurrent Protection	
					1.5 kW (2 hp)	1.5 kW (2 hp)	1.1 kW (1.5 hp)	1.5 kW (2 hp)	1.1 kW (1.5 hp)	1.5 kW (2 hp)
7.6 kW	1	380	6.3	21 400	18	20	18	20	20	20
		400	6.9	23 400						
		420	7.6	26 000						
11.5 kW	1	380	9.4	32 100	25	25	25	26	25	30
		400	10.5	35 700						
		420	11.5	39 300						
19.1 kW	1	380	15.7	53 500	38	40	38	40	40	40
		400	17.3	59 200						
		420	19.1	65 200						
25.5 kW	1	380	20.9	71 300	---	---	49	51	50	60
		400	23.1	79 000						
		420	25.5	87 100						

OPTIONAL ELECTRIC HEAT DATA

ELA120 | ELA150

¹ Electric Heat Size	No. of Steps	Volts Input	kW Input	² Btuh Output	ELA120				ELA150			
					Total Unit + Electric Heat				Total Unit + Electric Heat			
					³ Minimum Circuit Ampacity		⁴ Maximum Overcurrent Protection		³ Minimum Circuit Ampacity		⁴ Maximum Overcurrent Protection	
					1.5 kW (2 hp)	2.2 kW (3 hp)	1.5 kW (2 hp)	2.2 kW (3 hp)	2.2 kW (3 hp)	3.7 kW (5 hp)	2.2 kW (3 hp)	3.7 kW (5 hp)
7.6 kW	1	380	6.3	21 400	18	20	20	20	20	23	20	25
		400	6.9	23 400								
		420	7.6	26 000								
11.5 kW	1	380	9.4	32 100	25	26	25	30	26	30	30	30
		400	10.5	35 700								
		420	11.5	39 300								
19.1 kW	1	380	15.7	53 500	35	40	40	40	40	43	40	45
		400	17.3	59 200								
		420	19.1	65 200								
25.5 kW	1	380	20.9	71 300	49	51	50	60	51	54	60	60
		400	23.1	79 000								
		420	25.5	87 100								

OPTIONAL ELECTRIC HEAT DATA

ELA180 | ELA240

¹ Electric Heat Size	No. of Steps	Volts Input	kW Input	² Btuh Output	ELA180				ELA240			
					Total Unit + Electric Heat				Total Unit + Electric Heat			
					³ Minimum Circuit Ampacity		⁴ Maximum Overcurrent Protection		³ Minimum Circuit Ampacity		⁴ Maximum Overcurrent Protection	
					1.5 kW (2 hp)	2.2 kW (3 hp)	1.5 kW (2 hp)	2.2 kW (3 hp)	2.2 kW (3 hp)	3.7 kW (5 hp)	2.2 kW (3 hp)	3.7 kW (5 hp)
15.3 kW	1	380	12.5	42 700	33	36	35	40	36	41	40	45
		400	13.9	47 300								
		420	15.3	52 300								
23.0 kW	1	380	18.8	64 300	46	50	50	50	50	55	50	60
		400	20.9	71 200								
		420	23.0	78 500								
30.6 kW	1	380	25.1	85 600	58	61	60	70	61	66	70	70
		400	27.8	94 900								
		420	30.6	104 500								
38.3 kW	1	380	31.3	107 000	72	76	80	80	76	81	80	90
		400	34.7	118 500								
		420	38.3	130 800								

1 Nominal kW based on 400V/3ph/50hz.

2 Electric heater capacity only - does not include additional blower motor heat capacity.

3 Refer to local codes to determine wire, fuse and disconnect size requirements. Use wires suitable for at least 75°C (167°F).

4 Heating, Air Conditioning, Refrigeration type breaker or fuse.

SPECIFICATIONS - HOT WATER COIL

General Data	Hot Water Coil Model No.	T2HWCL10LM1-	T2HWCL10N-1-
	Air Handler Model No.	ELA072 ELA090 ELA120 ELA150	ELA180 ELA240
Water Line Connections	Inlet o.d. - mm (in.) (sweat)	35 (1-3/8)	35 (1-3/8)
	Outlet o.d. - mm (in.) (sweat)	35 (1-3/8)	35 (1-3/8)
Hot Water Coil	Net face area - m ² (sq. ft.)	0.56 (6.00)	0.84 (9.00)
	Tube diameter - mm (in.)	9.5 (3/8)	9.5 (3/8)
	Fins per mm (inch)	551 (14)	551 (14)

HOT WATER COIL - WATER PRESSURE DROP

Model No.	Flow Rate (L/min)																	
	8	15	23	30	38	45	53	61	68	76	83	91	98	106	114	121	129	136
	Water Pressure Drop (kPa)																	
ELA072 ELA090 ELA120 ELA150	0.06	0.30	0.60	0.99	1.46	2.00	2.60	3.29	4.04	4.84	5.71	6.67	7.68	8.73	9.86	11.06	12.28	13.60
ELA180 ELA240	0.09	0.45	0.90	1.49	2.18	2.99	3.89	4.93	6.04	7.26	8.58	9.98	11.51	13.09	14.80	16.59	18.44	20.41

Model No.	Flow Rate (L/min)																
	144	151	159	167	174	182	189	197	204	212	220	227	235	242	250	257	265
	Water Pressure Drop (kPa)																
ELA072 ELA090 ELA120 ELA150	14.97	16.38	17.87	19.40	20.98	22.63	24.33	26.09	27.89	29.77	31.68	33.66	35.66	37.75	39.87	42.06	44.30
ELA180 ELA240	22.45	24.57	26.81	29.11	31.47	33.96	36.50	39.13	41.85	44.66	47.53	50.48	53.50	56.61	59.81	63.07	66.42

HOT WATER COIL CAPACITIES

ELA072 | ELA150

Model No.	Airflow (L/s)	Entering Air Temp (°C)	Entering Water Temperature (°C)																										
			60					70					80																
			11			17			22			11			17			22											
Water Temperature Drop (°C)																													
			L/M	KW	LAT	L/M	KW	LAT	L/M	KW	LAT	L/M	KW	LAT	L/M	KW	LAT	L/M	KW	LAT									
072	905	4	48.3	37.0	38.0	29.5	33.9	35.2	19.9	30.6	32.1	60.3	45.9	46.1	37.6	42.9	43.4	26.1	39.8	40.5	72.5	54.7	54.1	45.7	51.9	51.5	32.3	48.9	48.8
		15	37.0	28.3	41.4	21.8	25.1	38.5	14.1	21.7	35.4	48.8	37.2	49.5	29.9	34.2	46.8	20.3	31.0	43.9	60.8	45.9	57.5	38.0	43.1	55.0	26.5	40.1	52.2
		27	25.7	19.6	44.8	14.2	16.3	41.7	8.1	12.5	38.2	37.4	28.5	52.9	22.2	25.4	50.1	14.5	22.1	47.0	49.3	37.2	61.0	30.3	34.4	58.3	20.7	31.3	55.5
072	1135	4	56.4	43.2	35.8	34.2	39.4	33.0	23.0	35.4	30.1	70.5	53.7	43.4	43.8	50.0	40.7	32.4	47.0	38.6	84.8	64.1	50.9	53.4	60.6	48.4	38.5	56.9	46.1
		15	43.1	33.0	39.7	25.3	29.1	36.9	16.2	25.0	33.8	57.0	43.4	47.3	34.8	39.8	44.6	23.5	35.9	41.8	71.2	53.8	54.9	44.3	50.3	52.3	30.8	46.5	49.7
		27	29.8	22.8	43.5	16.3	18.8	40.5	9.3	14.3	37.2	43.6	33.2	51.2	25.8	29.5	48.4	16.7	25.5	45.5	57.6	43.5	58.8	35.2	40.0	56.2	24.0	36.3	53.4
1360		4	63.8	48.9	34.0	38.6	44.4	31.3	25.9	39.7	28.4	79.8	60.8	41.1	49.4	56.5	38.6	34.1	52.1	35.9	96.1	72.6	48.3	60.3	68.5	45.8	42.4	64.2	43.3
		15	48.6	37.3	38.3	28.5	32.8	35.5	18.2	27.9	32.6	64.5	49.1	45.5	39.2	44.9	42.9	26.4	40.3	40.1	80.6	60.9	52.6	50.0	56.8	50.1	34.6	52.6	47.6
		27	33.5	25.7	42.5	18.3	21.1	39.6	10.3	15.8	36.4	49.3	37.5	49.7	29.0	33.2	47.1	18.7	28.6	44.2	65.2	49.3	56.9	39.7	45.2	54.4	26.9	40.8	51.7
090	1135	4	56.4	43.2	35.8	34.2	39.4	33.0	23.0	35.4	30.1	70.5	53.7	43.4	43.8	50.0	40.7	32.4	47.0	38.6	84.8	64.1	50.9	53.4	60.6	48.4	38.5	56.9	46.1
		15	43.1	33.0	39.7	25.3	29.1	36.9	16.2	25.0	33.8	57.0	43.4	47.3	34.8	39.8	44.6	23.5	35.9	41.8	71.2	53.8	54.9	44.3	50.3	52.3	30.8	46.5	49.7
		27	29.8	22.8	43.5	16.3	18.8	40.5	9.3	14.3	37.2	43.6	33.2	51.2	25.8	29.5	48.4	16.7	25.5	45.5	57.6	43.5	58.8	35.2	40.0	56.2	24.0	36.3	53.4
090	1415	4	65.5	50.2	33.6	39.6	45.6	30.9	26.5	40.7	28.1	82.0	62.4	40.7	50.7	58.0	38.1	35.0	53.4	35.4	98.8	74.6	47.7	61.9	70.3	45.2	43.5	66.0	42.7
		15	50.0	38.3	37.9	29.2	33.6	35.2	18.6	28.6	32.3	66.3	50.5	45.1	40.2	46.0	42.5	27.1	41.4	39.8	82.8	62.5	52.1	51.4	58.4	49.7	35.5	53.9	47.1
		27	34.4	26.4	42.2	18.7	21.6	39.4	10.6	16.2	36.2	50.6	38.5	49.4	29.8	34.1	46.8	19.2	29.3	43.9	67.0	50.6	56.5	40.8	46.4	54.0	27.6	41.9	51.4
120	1700	4	73.7	56.5	31.8	44.4	51.1	29.2	29.6	45.6	26.5	92.4	70.3	38.4	57.0	65.2	36.0	39.2	59.9	33.4	111.3	84.1	45.1	69.7	79.1	42.7	48.9	74.1	40.3
		15	56.1	43.0	36.5	32.7	37.6	33.9	20.8	31.9	31.1	74.6	56.8	43.2	45.2	51.7	40.7	30.3	46.3	38.1	93.3	70.5	49.9	57.7	65.6	47.5	39.9	60.5	45.0
		27	38.6	29.6	41.2	20.9	24.1	38.5	11.7	17.9	35.5	56.9	43.3	48.0	33.3	38.2	45.4	21.4	32.7	42.7	75.4	57.0	54.7	45.8	52.1	52.2	30.9	46.9	49.7
120	1510	4	68.3	52.4	32.9	41.3	47.5	30.3	27.6	42.4	27.5	85.6	65.2	39.9	52.9	60.5	37.3	36.5	55.7	34.7	103.1	77.9	46.8	64.6	73.3	44.3	45.3	68.8	41.9
		15	52.1	39.9	37.4	30.4	35.0	34.7	19.4	29.8	31.9	69.1	52.6	44.4	41.9	48.0	41.9	28.2	43.1	39.2	86.4	65.3	51.4	53.6	60.8	48.9	37.1	56.2	46.4
		27	35.9	27.5	41.9	19.5	22.4	39.1	10.9	16.8	36.0	52.8	40.2	48.9	31.0	35.5	46.3	19.9	30.5	43.5	69.9	52.8	55.9	42.5	48.3	53.3	28.8	43.6	50.8
120	1890	4	78.8	60.3	30.7	47.4	54.6	28.2	31.6	48.5	25.6	98.8	75.2	37.2	60.9	69.7	34.7	39.2	59.9	33.4	119.1	90.0	43.6	74.5	84.6	41.2	52.1	79.1	38.8
		15	60.0	45.9	35.7	34.8	40.1	33.1	22.1	33.9	30.4	79.8	60.7	42.2	48.2	55.1	39.7	30.3	46.3	38.1	99.9	75.4	48.6	61.7	70.1	46.3	42.5	64.5	43.9
		27	41.2	31.6	40.6	22.2	25.6	38.0	12.4	19.0	35.1	60.8	46.3	47.1	35.6	40.7	44.7	21.4	32.7	42.7	80.6	60.9	53.6	48.9	55.6	51.2	33.0	50.0	48.8
120	2265	4	88.1	67.5	28.9	52.8	60.8	26.5	35.1	53.9	24.0	110.6	84.2	35.0	68.0	77.8	32.7	36.5	55.7	34.7	133.4	100.8	41.0	83.3	94.6	38.7	58.2	88.3	36.5
		15	67.0	51.3	34.3	38.8	44.6	31.9	24.5	37.6	29.3	89.2	67.9	40.4	53.8	61.5	38.1	28.2	43.1	39.2	111.8	84.4	46.4	69.0	78.3	44.2	47.5	72.0	41.9
		27	45.9	35.2	39.6	24.6	28.3	37.1	13.6	20.9	34.4	68.0	51.7	45.7	39.6	45.3	43.4	19.9	30.5	43.5	90.3	68.2	51.8	54.7	62.0	49.5	36.7	55.7	47.2
150	1890	4	78.8	60.3	30.7	47.4	54.6	28.2	31.6	48.5	25.6	98.8	75.2	37.2	60.9	69.7	34.7	39.2	59.9	33.4	119.1	90.0	43.6	74.5	84.6	41.2	52.1	79.1	38.8
		15	60.0	45.9	35.7	34.8	40.1	33.1	22.1	33.9	30.4	79.8	60.7	42.2	48.2	55.1	39.7	30.3	46.3	38.1	99.9	75.4	48.6	61.7	70.1	46.3	42.5	64.5	43.9
		27	41.2	31.6	40.6	22.2	25.6	38.0	12.4	19.0	35.1	60.8	46.3	47.1	35.6	40.7	44.7	21.4	32.7	42.7	80.6	60.9	53.6	48.9	55.6	51.2	33.0	50.0	48.8
150	2360	4	90.3	69.2	28.5	54.1	62.3	26.1	36.0	55.3	23.7	113.4	86.3	34.5	69.7	79.7	32.2	47.7	72.9	29.8	136.7	103.3	40.4	85.4	96.9	38.2	59.6	90.4	35.9
		15	68.6	52.6	34.0	39.7	45.7	31.6	25.0	38.5	29.1	91.5	69.6	40.0	55.1	63.0	37.7	36.8	56.2	35.3	114.6	86.6	45.9	70.7	80.2	43.7	48.6	73.7	41.4
		27	47.0	36.0	39.4	25.2	29.0	36.9	13.9	21.4	34.2	69.7	53.0	45.4	40.6	46.4	43.1	25.8	39.5	40.6	92.5	69.9	51.4	56.0	63.5	49.2	37.6	57.0	46.8
150	2830	4	100.6	77.1	26.8	60.1	69.2	24.5	39.8	61.1	22.2	126.4	96.2	32.3	77.5	88.6	30.2	53.0	80.9	27.9	152.5	115.2	37.9	95.1	107.9	35.7	66.2	100.5	33.6
		15	76.3	58.4	32.7	44.0	50.7	30.4	27.6	42.5	28.0	101.9	77.5	38.2	61.2	70.0	36.0	40.8	62.3	33.8	127.8	96.5	43.8	78.6	89.2	41.6	53.9	81.8	39.5
		27	52.2	40.0	38.5	27.8	32.0	36.1	15.3	23.5	33.6	77.5	59.0	44.1	45.0	51.4	41.8	28.5	43.6	39.5	103.1	77.9	49.6	62.2	70.6	47.5	41.6	63.2	45.3

LAT = Leaving Air Temperature

HOT WATER COIL CAPACITIES

ELA072 | ELA150

Model No.	Airflow (L/s)	Entering Air Temp (°C)	95									100								
			11			17			22			11			17			22		
			L/M	KW	LAT	L/M	KW	LAT	L/M	KW	LAT	L/M	KW	LAT	L/M	KW	LAT	L/M	KW	LAT
072	905	4	84.8	63.5	62.0	54.0	60.8	59.5	38.5	57.9	56.9	91.0	67.9	66.0	58.1	65.2	63.5	41.6	62.4	61.0
		15	73.0	54.7	65.5	46.1	52.0	63.0	32.6	49.1	60.4	79.2	59.1	69.5	50.2	56.4	67.1	35.7	53.6	64.5
		27	61.3	45.9	69.0	38.3	43.2	66.5	26.8	40.3	63.8	67.4	50.3	73.0	42.4	47.6	70.5	29.9	44.8	67.9
	1135	4	99.3	74.4	58.4	64.0	70.7	56.1	47.9	70.7	56.7	106.8	79.1	62.2	70.4	76.1	59.9	49.2	72.5	57.2
		15	85.5	64.1	62.4	53.9	60.7	59.9	38.8	57.0	58.2	92.7	69.2	66.1	58.9	65.8	63.8	43.5	62.8	63.3
		27	71.8	53.8	66.3	44.8	50.4	63.8	31.2	46.9	61.3	79.0	58.9	70.1	49.6	55.6	67.6	34.9	52.3	65.2
090	1360	4	112.5	84.3	55.4	71.4	80.4	53.0	50.7	76.3	50.5	120.9	90.2	59.0	77.0	86.3	56.6	54.9	82.3	54.2
		15	96.9	72.6	59.8	60.9	68.6	57.4	42.9	64.6	54.9	105.1	78.4	63.3	66.4	74.5	61.0	47.1	70.5	58.5
		27	81.3	60.9	64.1	50.6	57.0	61.7	35.1	52.9	59.2	89.4	66.7	67.7	56.0	62.8	65.3	39.3	58.8	62.8
	1135	4	99.3	74.4	58.4	64.0	70.7	56.1	47.9	70.7	56.7	106.8	79.1	62.2	70.4	76.1	59.9	49.2	72.5	57.2
		15	85.5	64.1	62.4	53.9	60.7	59.9	38.8	57.0	58.2	92.7	69.2	66.1	58.9	65.8	63.8	43.5	62.8	63.3
		27	71.8	53.8	66.3	44.8	50.4	63.8	31.2	3.0	61.3	79.0	58.9	70.1	49.6	55.6	67.6	34.9	52.3	65.2
1415	1700	4	115.7	86.7	54.7	73.3	82.6	52.4	52.0	78.4	49.9	124.3	92.7	58.2	79.0	88.6	55.9	56.4	84.5	53.5
		15	99.6	74.6	59.2	62.6	70.5	56.8	44.1	66.3	54.3	108.0	80.6	62.7	68.3	76.6	60.3	48.3	72.4	57.9
		27	83.5	62.6	63.6	52.0	58.5	61.2	36.1	54.3	58.7	91.9	68.6	67.1	57.5	64.6	64.7	40.3	60.4	62.3
	1510	4	130.5	97.8	51.7	82.5	93.0	49.4	58.6	88.1	47.0	140.2	104.6	55.0	89.0	99.9	52.7	63.4	95.1	50.4
		15	112.3	84.2	56.6	70.4	79.4	54.2	49.5	74.5	51.9	121.9	90.9	59.9	76.9	86.2	57.6	54.4	81.5	55.3
		27	94.2	70.6	61.4	58.4	65.8	59.0	40.5	60.9	56.6	103.7	77.4	64.7	64.8	72.6	62.4	45.3	67.9	60.0
1890	2265	4	120.8	90.5	53.7	76.5	86.1	51.3	54.3	81.7	48.9	129.8	96.8	57.1	82.5	92.5	54.8	58.8	88.1	52.4
		15	104.0	77.9	58.3	65.3	73.6	55.9	46.0	69.1	53.5	112.9	84.2	61.7	71.2	79.9	59.4	50.4	75.6	57.0
		27	87.2	65.4	62.8	54.2	61.1	60.4	37.6	56.6	57.9	96.0	71.6	66.3	60.0	67.3	63.9	42.0	63.0	61.5
	1890	4	139.6	104.7	50.0	88.3	99.5	47.7	62.5	94.1	45.4	150.1	112.0	53.2	95.2	106.8	50.9	67.8	101.6	48.6
		15	120.1	90.0	55.1	75.3	84.8	52.8	52.8	79.5	50.4	130.4	97.3	58.2	82.3	92.3	56.0	58.1	87.0	53.7
		27	100.8	75.5	60.1	62.5	70.3	57.8	43.2	65.0	55.4	111.0	82.8	63.3	69.2	77.7	61.0	48.3	72.4	58.7
150	2360	4	156.6	117.4	47.0	98.8	111.3	44.8	69.9	105.2	42.6	168.3	125.6	50.0	106.6	119.6	47.8	75.8	113.6	45.6
		15	134.7	100.9	52.4	84.3	94.9	50.3	59.1	88.8	48.0	146.3	109.2	55.5	92.0	103.2	53.3	64.8	97.2	51.1
		27	112.9	84.6	57.8	69.8	78.6	55.7	48.2	72.6	53.4	124.4	92.8	60.9	77.5	86.9	58.7	53.9	80.9	56.5
	1890	4	139.6	104.7	50.0	88.3	99.5	47.7	62.5	94.1	45.4	150.1	112.0	53.2	95.2	106.8	50.9	67.8	101.6	48.6
		15	120.1	90.0	55.1	75.3	84.8	52.8	52.8	79.5	50.4	130.4	97.3	58.2	82.3	92.3	56.0	58.1	87.0	53.7
		27	100.8	75.5	60.1	62.5	70.3	57.8	43.2	65.0	55.4	111.0	82.8	63.3	69.2	77.7	61.0	48.3	72.4	58.7
2830	4	160.6	120.3	46.3	101.3	114.0	44.1	71.6	107.8	42.0	172.6	128.7	49.3	109.3	122.6	47.1	77.6	116.4	45.0	
	15	138.1	103.5	51.9	86.3	97.3	49.7	60.5	91.1	47.5	150.0	111.9	54.8	94.3	105.8	52.7	66.4	99.6	50.5	
	27	115.8	86.8	57.4	71.6	80.6	55.2	49.4	74.3	53.0	127.6	95.2	60.3	79.4	89.0	58.2	55.3	82.9	56.0	
2830	4	179.1	134.2	43.4	112.8	127.1	41.3	79.7	119.9	39.2	192.6	143.7	46.1	121.8	136.6	44.1	86.4	129.5	42.0	
	15	154.0	115.4	49.3	96.2	108.4	47.2	67.2	101.2	45.1	167.4	124.9	52.1	105.1	117.9	50.0	73.9	110.8	47.9	
27	129.1	96.7	55.2	79.6	89.7	53.1	54.8	82.5	51.0	142.3	106.1	58.0	88.4	99.1	55.9	61.4	92.1	53.8		

LAT = Leaving Air Temperature

HOT WATER COIL CAPACITIES **ELA180 | ELA240**

Model No.	Airflow (L/s)	Entering Water Temperature (°C)																											
		60						70						80															
		11			22			17			11			22			17												
Entering Air Temp (°C)	L/M	KW	LAT	L/M	KW	LAT	L/M	KW	LAT	L/M	KW	LAT	L/M	KW	LAT	L/M	KW	LAT											
180	2265	4	105.3	80.7	33.7	64.5	74.3	31.4	43.9	67.6	28.9	131.1	99.8	40.6	81.9	93.7	38.4	57.2	87.3	36.1	157.3	118.9	47.5	99.4	112.9	45.4	70.4	106.8	43.2
		15	80.8	61.9	38.2	48.2	55.4	35.8	31.5	48.4	33.2	106.3	80.9	45.1	65.4	74.8	42.9	44.7	68.3	40.5	132.2	99.9	52.1	82.7	94.0	49.9	57.9	87.8	47.7
		27	56.4	43.2	42.6	31.6	36.4	40.1	18.6	28.6	37.2	81.7	62.2	49.6	48.9	55.9	47.3	32.1	49.1	44.8	107.3	81.0	56.5	66.1	75.1	54.3	45.3	68.8	52.0
	2830	4	121.6	93.2	31.5	74.3	85.5	29.2	50.4	77.5	26.9	151.6	115.4	37.9	94.4	108.0	35.8	65.7	100.3	33.5	181.8	137.4	44.3	114.7	130.3	42.2	81.1	123.0	40.1
		15	93.2	71.4	36.4	55.3	63.7	34.2	36.0	55.3	31.7	122.8	93.5	42.9	75.3	86.1	40.7	51.3	78.4	38.5	152.9	115.5	49.3	95.4	108.3	47.2	66.6	101.0	45.1
		27	64.8	49.7	41.3	36.2	41.6	38.9	21.2	32.5	36.3	94.2	71.7	47.8	56.2	64.2	45.6	36.8	56.2	43.2	123.9	93.6	54.3	76.2	86.5	52.2	52.1	79.0	50.0
240	3400	4	136.1	104.3	29.6	83.0	95.5	27.5	56.2	86.3	25.3	169.7	129.2	35.7	105.5	120.7	33.6	73.3	112.0	31.5	203.8	154.0	41.7	128.4	145.8	39.7	90.6	137.4	37.7
		15	104.2	79.8	35.0	61.6	70.9	32.8	40.0	61.5	30.5	137.5	104.6	41.1	84.1	96.2	39.0	57.2	87.3	36.8	171.2	129.4	47.1	106.8	121.2	45.1	74.3	112.8	43.0
		27	72.4	55.5	40.3	40.2	46.2	38.0	23.4	35.9	35.5	105.5	80.3	46.4	62.7	71.7	44.3	40.9	62.5	42.0	138.8	104.9	52.4	85.1	96.7	50.4	58.1	88.1	48.3
	3020	4	126.6	97.0	30.8	77.3	89.0	28.6	52.4	80.6	26.3	157.8	120.1	37.1	98.3	112.4	35.0	68.3	104.4	32.8	189.3	143.1	43.3	119.4	135.6	41.3	84.4	128.0	39.2
		15	96.9	74.3	35.9	57.5	66.2	33.7	37.4	57.5	31.3	127.8	97.3	42.2	78.4	89.6	40.1	53.3	81.5	37.9	159.0	120.2	48.5	99.4	112.8	46.5	69.3	105.1	44.4
		27	67.4	51.7	40.9	37.6	43.2	38.6	21.9	33.7	36.0	98.1	74.6	47.3	58.4	66.8	45.1	38.2	58.4	42.8	129.0	97.5	53.6	79.3	90.0	51.6	54.2	82.1	49.4
4530	4	145.0	111.1	28.6	88.3	101.6	26.5	59.7	91.7	24.4	181.0	137.7	34.4	112.4	128.5	32.4	78.0	119.1	30.4	217.4	164.2	40.2	136.8	155.3	38.2	96.4	146.3	36.3	
	15	110.9	85.0	34.2	65.5	75.4	32.1	42.4	65.2	29.9	146.5	111.5	40.0	89.5	102.4	38.0	60.8	92.8	35.9	182.6	137.9	45.8	113.6	129.0	43.9	79.1	120.0	41.9	
	27	77.0	59.0	39.7	42.6	49.1	37.5	24.7	38.0	35.1	112.3	85.4	45.6	66.6	76.2	43.5	43.4	66.3	41.3	148.0	111.8	51.4	90.6	102.9	49.4	61.7	93.7	47.4	
4530	4	161.3	123.6	26.9	98.0	112.8	24.9	66.1	101.5	22.8	201.4	153.3	32.2	125.0	142.9	30.3	86.5	132.1	28.4	242.1	182.9	37.6	152.2	172.8	35.8	107.1	162.5	33.9	
	15	123.4	94.5	32.8	72.6	83.5	30.8	46.9	72.0	28.7	163.1	124.1	38.2	99.4	113.7	36.3	67.3	102.8	34.3	203.4	153.6	43.6	126.4	143.5	41.8	87.8	133.1	39.9	
	27	85.4	65.4	38.7	47.1	54.2	36.7	27.2	41.8	34.4	124.8	95.0	44.2	73.9	84.5	42.2	48.0	73.3	40.2	164.8	124.5	49.6	100.7	114.3	47.7	68.4	103.8	45.8	

LAT = Leaving Air Temperature

Model No.	Air Flow (cfm)	Enter- ing Air Temp (°F)	200						210											
			20		30		40		20		30		40							
			GPM	LAT	GPM	LAT	GPM	LAT	GPM	LAT	GPM	LAT	GPM	LAT						
180	4800	40	48.6	470.3	130	31.0	450.7	126	22.4	428.6	123	52.1	502.7	136	33.3	483.3	132	24.0	460.6	128
		60	41.9	405.6	138	26.5	386.0	134	18.8	365.8	130	45.4	437.5	144	28.8	418.2	141	20.6	397.6	137
		80	35.2	341.0	146	22.1	321.4	142	15.5	301.0	138	38.7	373.1	152	24.4	353.8	149	17.2	333.7	145
	6000	40	56.2	544.1	123	35.8	520.5	120	25.5	496.6	116	60.3	581.5	129	38.5	558.2	125	27.6	534.5	122
		60	48.4	469.0	132	30.6	445.6	129	21.7	421.3	125	52.5	506.3	138	33.3	483.1	134	23.7	459.2	131
		80	40.7	394.5	141	25.5	370.8	138	17.8	346.5	134	44.8	431.6	147	28.2	408.2	143	19.8	384.4	140
240	7200	40	63.0	610.3	118	40.0	583.0	114	28.5	555.3	111	67.6	652.0	123	43.1	625.4	120	30.9	598.1	116
		60	54.3	525.9	128	34.3	498.7	124	24.2	471.0	120	58.9	568.0	133	37.3	541.0	129	26.5	513.7	126
		80	45.6	442.1	137	28.5	415.1	134	19.9	387.0	130	50.2	484.0	143	31.5	457.1	139	22.2	429.7	136
	6400	40	58.5	566.9	121	37.2	542.1	118	26.6	516.9	114	62.8	605.9	127	40.1	581.3	123	28.7	556.4	120
		60	50.4	488.7	131	31.9	464.0	127	22.5	438.5	123	54.7	527.5	136	34.7	503.1	133	24.7	478.0	129
		80	42.4	410.8	140	26.5	386.1	136	18.5	360.4	133	46.6	449.7	146	29.3	425.1	142	20.7	400.1	138
8000	40	67.2	651.0	115	42.7	621.4	111	30.4	591.4	108	72.2	695.9	120	46.0	666.7	116	32.9	637.1	113	
	60	57.9	561.0	125	36.5	531.6	121	25.8	501.4	118	62.8	605.8	130	39.8	576.7	127	28.2	547.0	123	
	80	48.7	471.4	135	30.4	442.0	132	21.2	411.7	128	53.5	516.2	140	33.6	487.2	137	23.6	457.3	133	
9600	40	73.9	720.7	108	47.5	691.7	106	33.8	657.5	103	78.0	762.4	112	51.2	742.0	111	36.6	708.6	108	
	60	64.5	625.1	120	40.6	591.5	117	28.6	557.2	114	70.0	675.2	125	44.3	641.9	122	31.4	608.2	119	
		80	54.2	525.2	131	33.8	491.6	128	23.5	457.2	124	59.6	575.2	136	37.4	542.0	133	26.2	508.0	129

WEIGHT DATA

Model Number	Net		Shipping	
	kg	lbs.	kg	lbs.
072	186	409	199	438
090	196	431	209	460
120	225	495	240	528
150	231	509	246	542
180	330	727	349	769
240	363	799	382	841

OPTIONs / ACCESSORIES

	Net		Shipping	
	kg	lbs.	kg	lbs.

ELECTRIC HEAT

072-150	10 kW	29	65	34	75
	15 kW	29	65	34	75
	25 kW	29	65	34	75
	35 kW	29	65	34	75
180-240	20 kW	45	100	54	120
	30 kW	45	100	54	120
	40 kW	45	100	54	120
	50 kW	45	100	54	120

ECONOMIZER

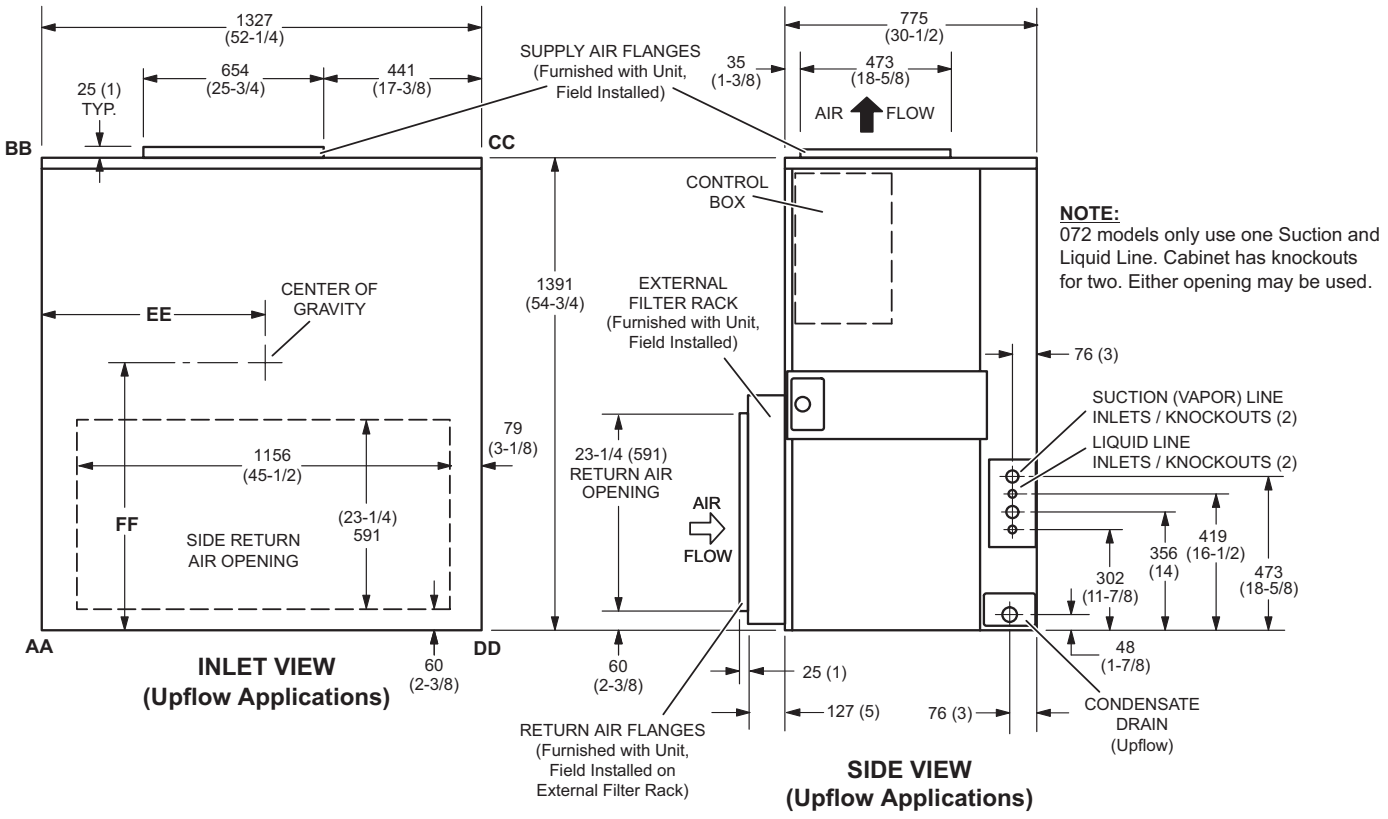
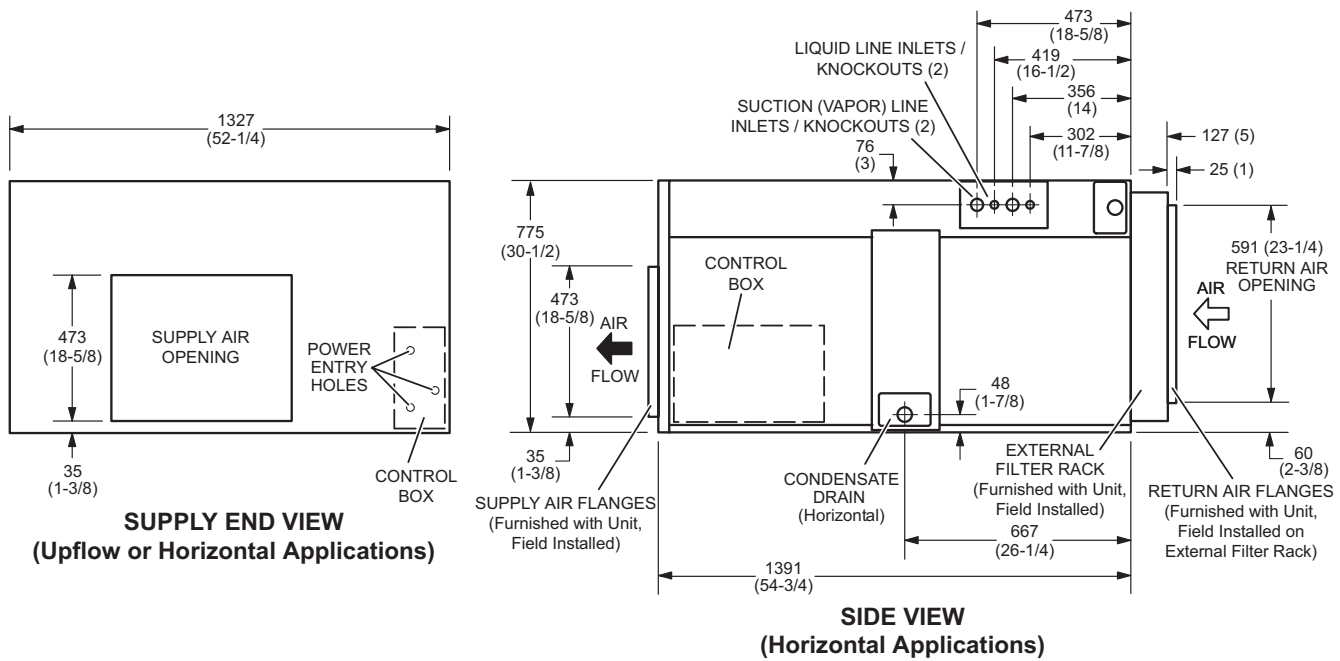
Standard Economizers	A2ECON31L-1	32	71	75	165
	A2ECON31M-1	52	114	120	265
	A2ECON31N-1	73	160	168	370
High Performance Economizers	A2ECON34L-1	49	108	92	202
	A2ECON34M-1	65	144	134	295
	A2ECON34N-1	85	188	181	398

102 MM (4-INCH) FILTER MOUNTING KIT

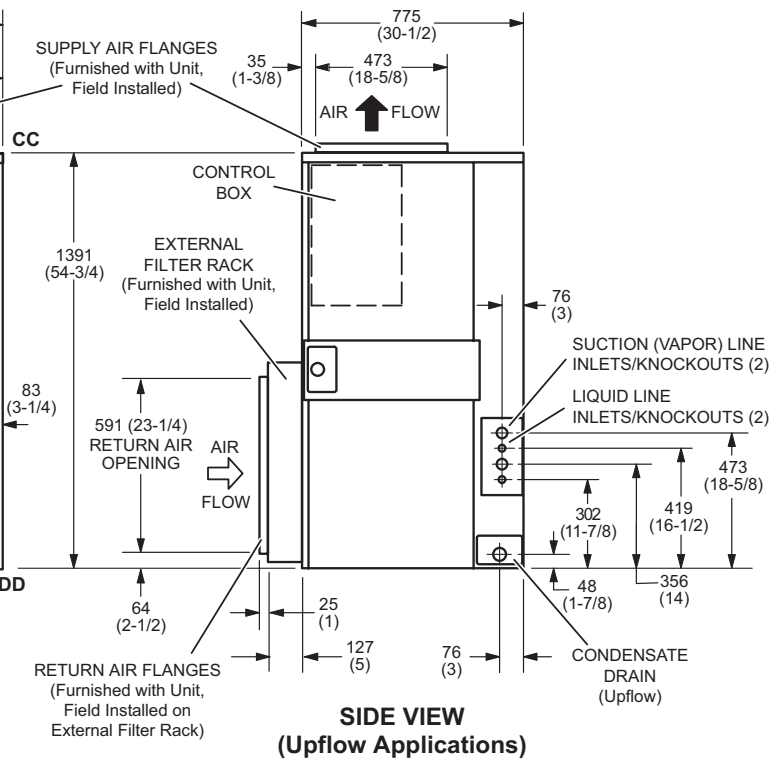
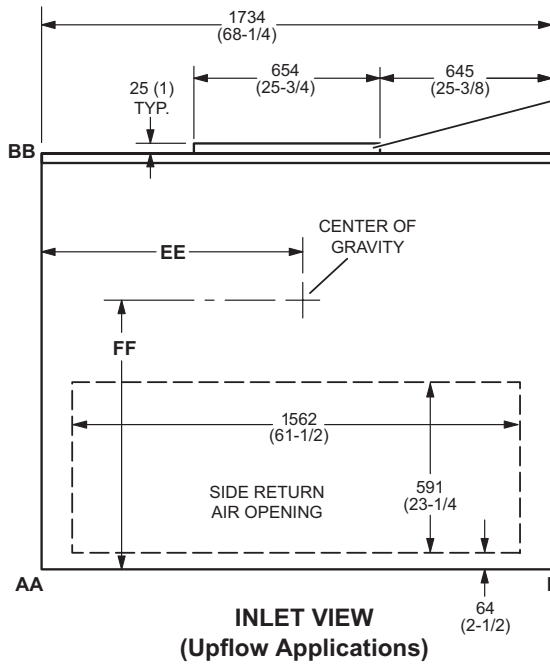
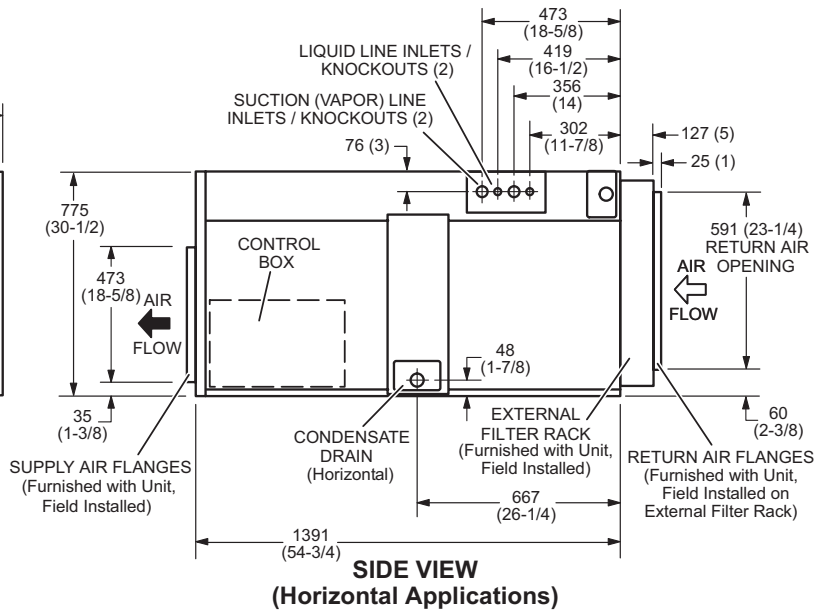
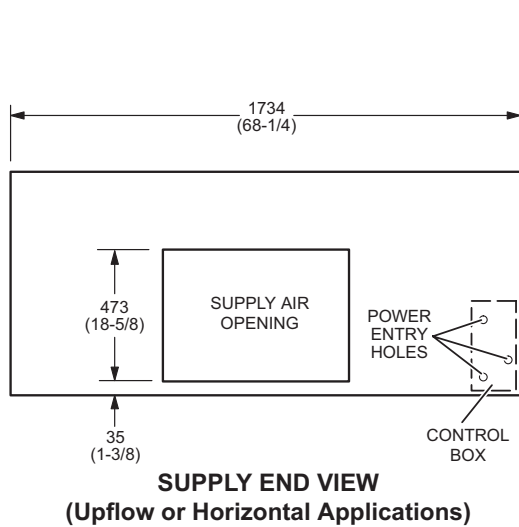
	A2FLTR70L-1-	3	7	5	10
	A2FLTR70M-1-	5	10	6	14
	A2FLTR70N-1-	7	15	9	20

HOT WATER COIL

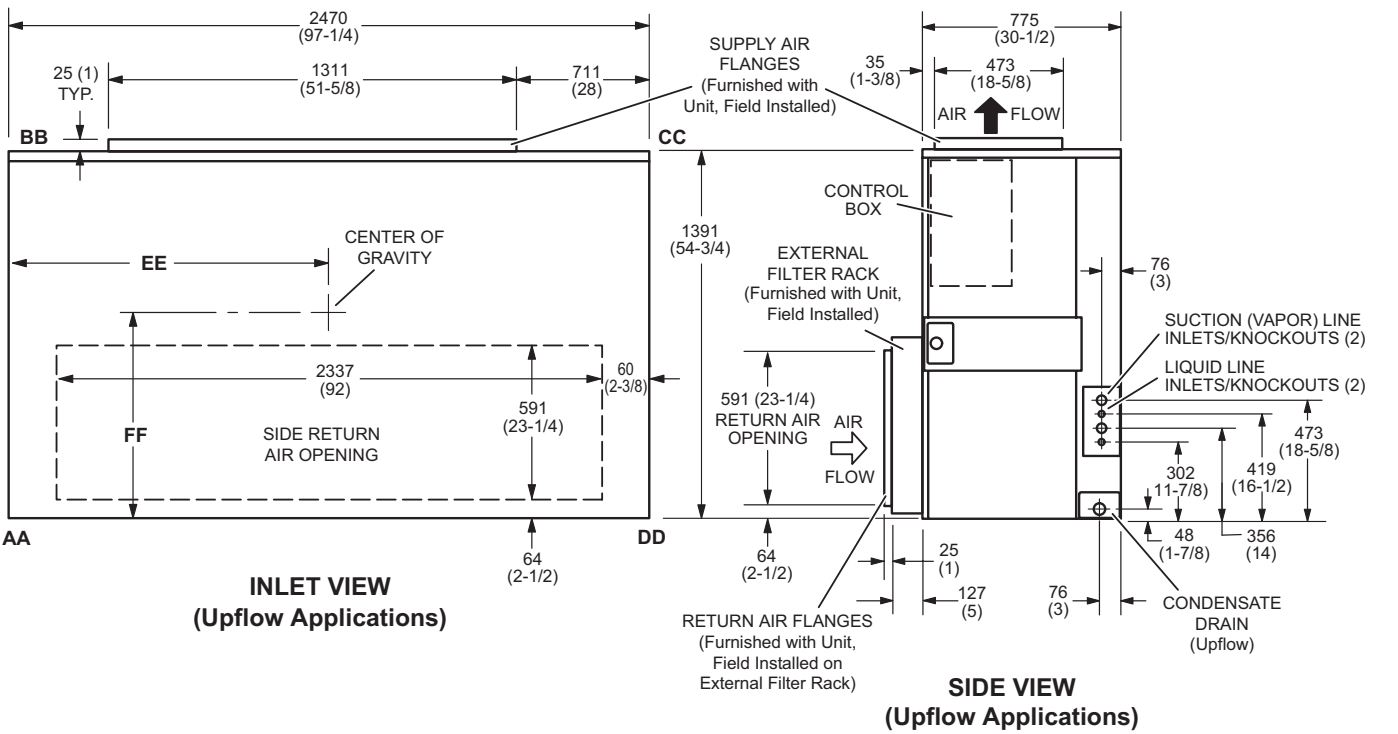
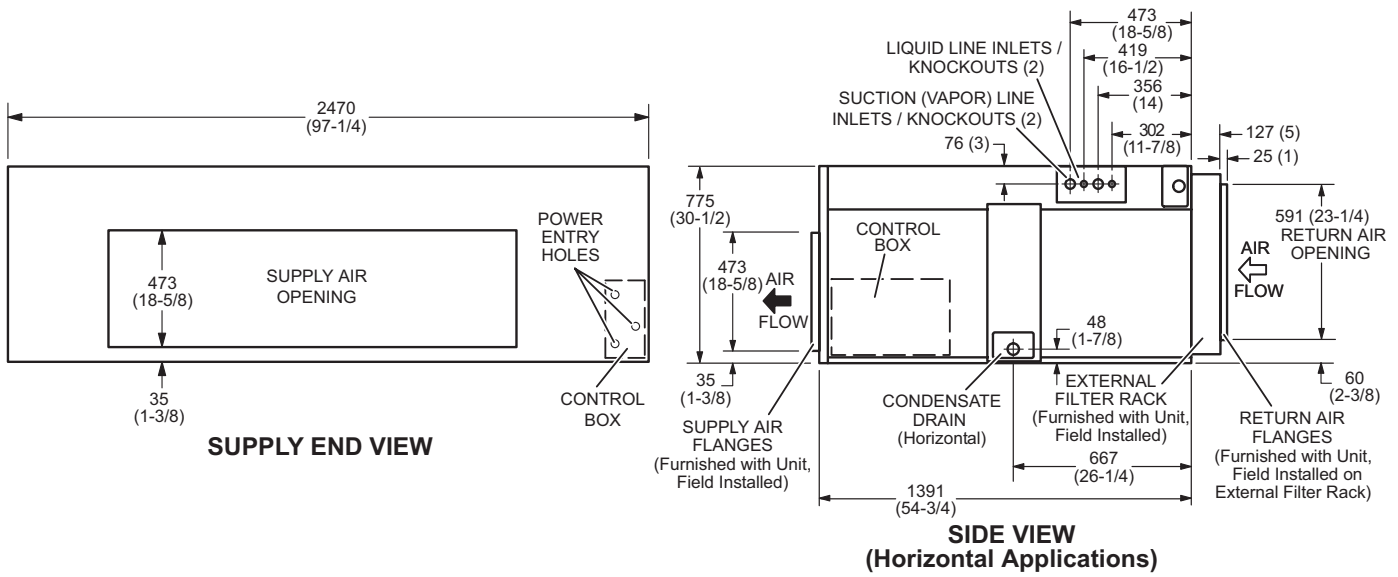
	T2HWCL10LM1-	29	65	36	80
	T2HWCL10N-1-	36	80	45	100



Model Number	CORNER WEIGHTS								CENTER OF GRAVITY			
	AA		BB		CC		DD		EE		FF	
	kg	lbs.	kg	lbs.	kg	lbs.	kg	lbs.	mm	in.	mm	in.
ELA072	46	102	46	102	46	102	46	102	660	26	699	27.5
ELA090	49	108	49	108	49	108	49	108	660	26	699	27.5



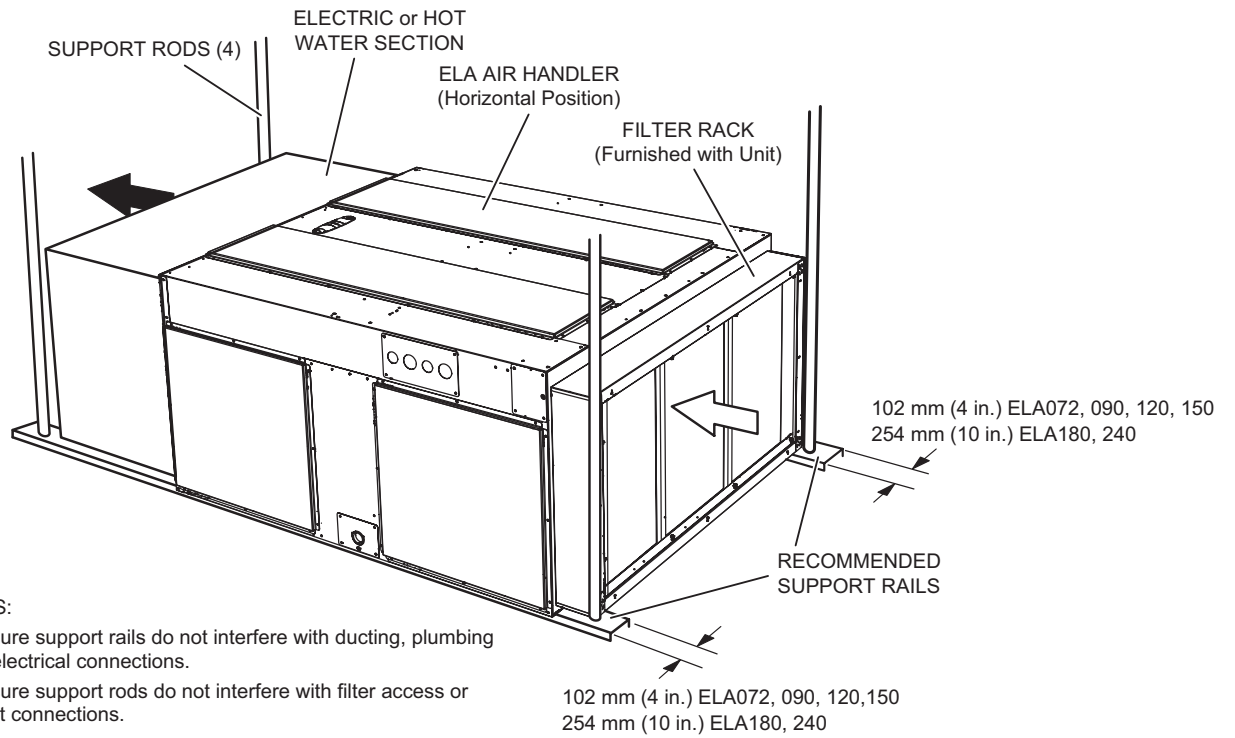
Model Number	CORNER WEIGHTS								CENTER OF GRAVITY			
	AA		BB		CC		DD		EE		FF	
	kg	lbs.	kg	lbs.	kg	lbs.	kg	lbs.	mm	in.	mm	in.
ELA120	57	126	55	121	55	121	57	126	864	34	660	26
ELA150	59	130	57	125	57	125	59	130	864	34	660	26



Model Number	CORNER WEIGHTS								CENTER OF GRAVITY			
	AA		BB		CC		DD		EE		FF	
	kg	lbs.	kg	lbs.	kg	lbs.	kg	lbs.	mm	in.	mm	in.
ELA180	80	176	80	176	85	187	85	187	1283	50.5	699	27.5
ELA240	86	189	86	189	96	211	96	211	1321	52	699	27.5

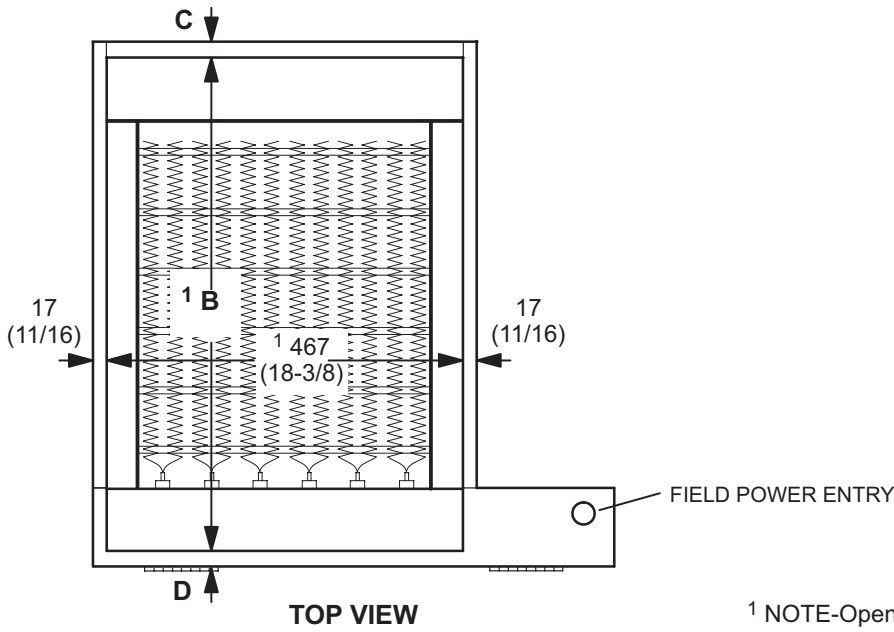
DIMENSIONS

TYPICAL SUPPORT METHOD FOR AIR HANDLER WITH HEAT SECTION IN HORIZONTAL POSITION

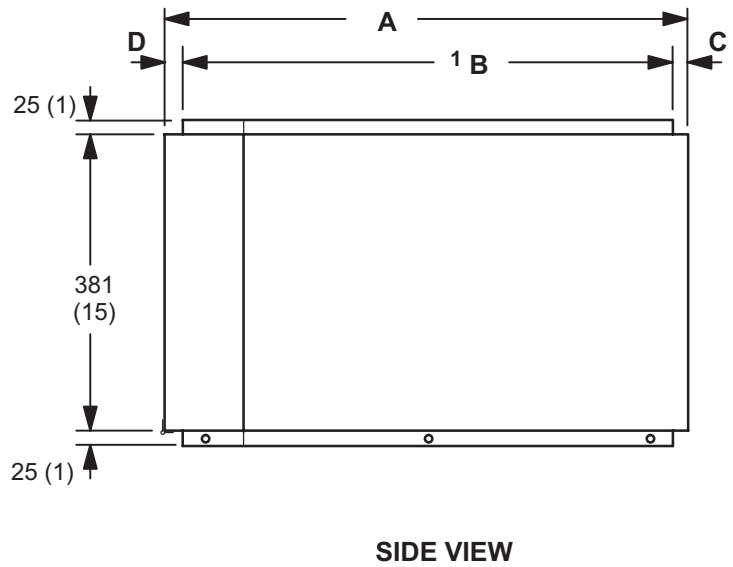
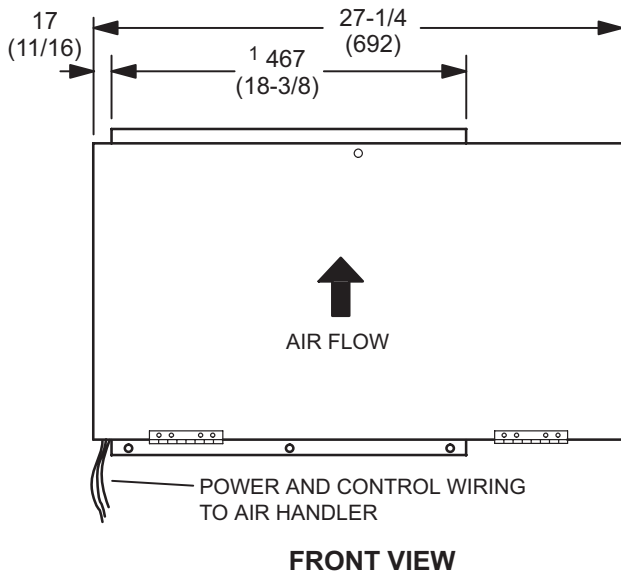


NOTES:

1. Ensure support rails do not interfere with ducting, plumbing or electrical connections.
2. Ensure support rods do not interfere with filter access or duct connections.
3. When hot water or electric heat section is installed, additional support underneath these accessories will be required.
4. Support rods and rails are field supplied.

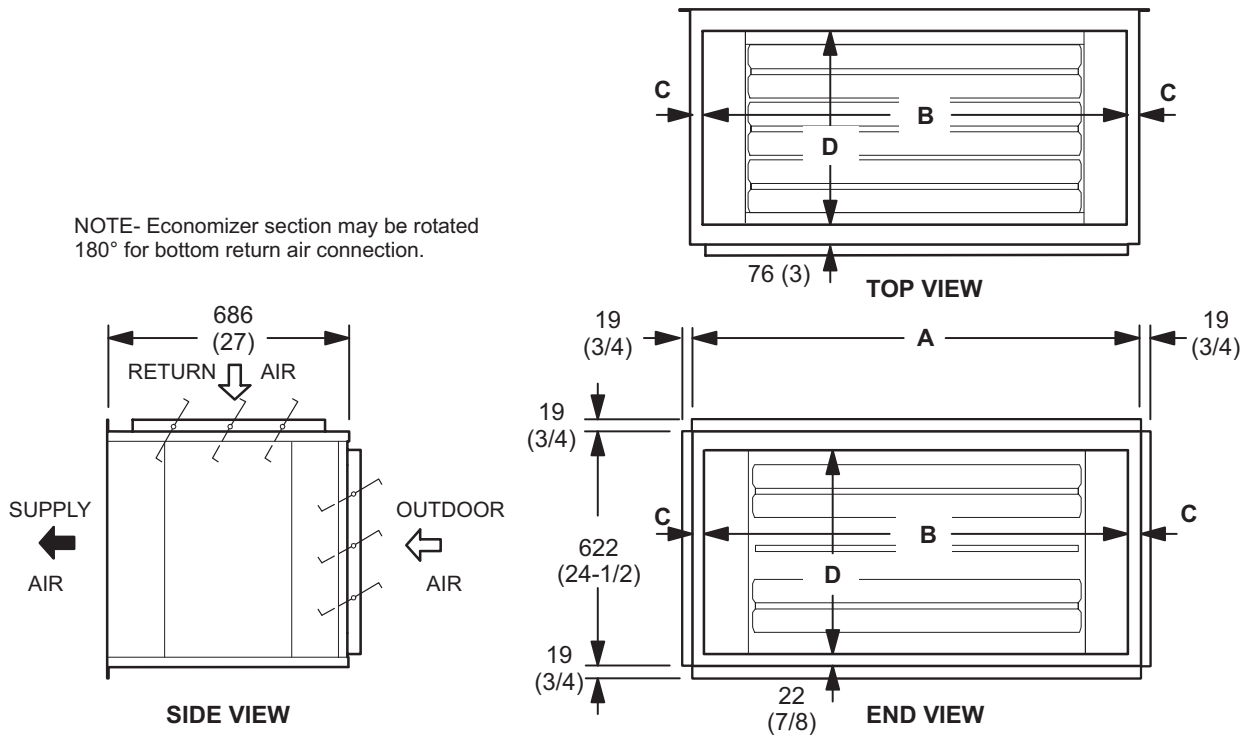


¹ NOTE-Opening same top and bottom.

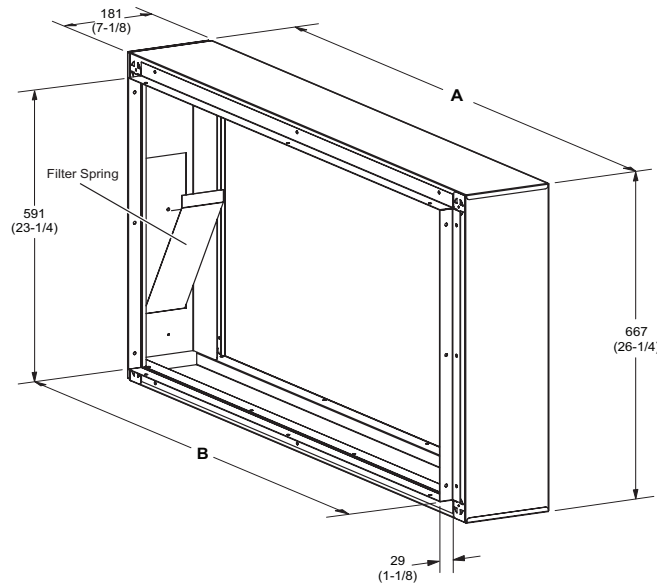


Air Handler Usage	A		B		C		D	
	mm	in.	mm	in.	mm	in.	mm	in.
ELA072 Thru ELA150	689	27-1/8	648	25-1/2	21	13/16	21	13/16
ELA180 Thru ELA240	1441	56-3/4	1302	51-1/4	38	1-1/2	102	4

NOTE- Economizer section may be rotated 180° for bottom return air connection.

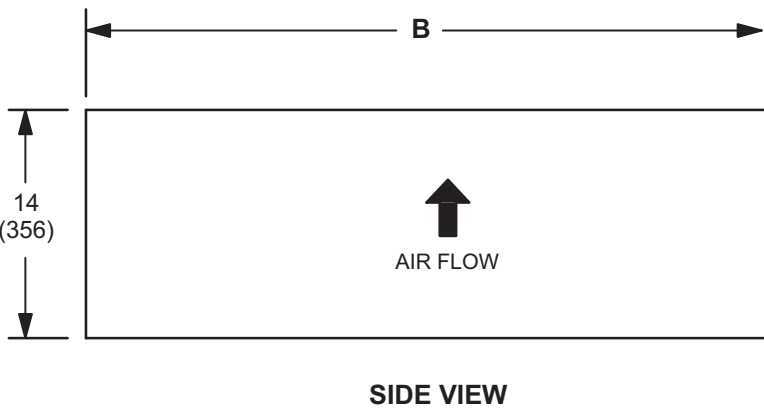
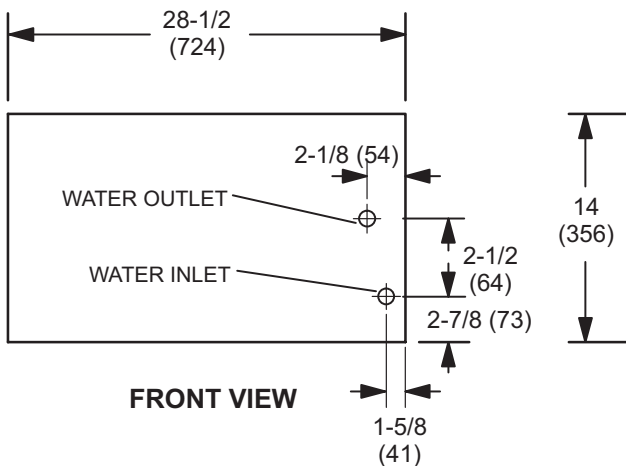
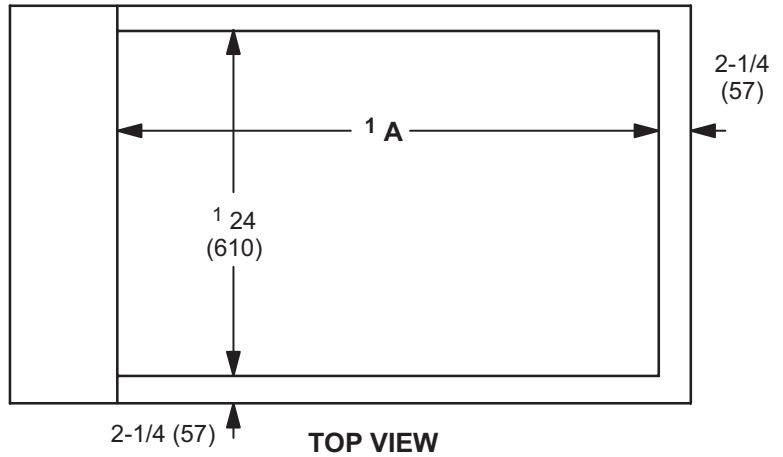


Model Number (Air Handler Usage)		A		B		C		D	
		mm	in.	mm	in.	mm	in.	mm	in.
Standard Economizers	A2ECON31L-1- (072-090)	813	32	762	30	25	1	521	20-1/2
	A2ECON31M-1- (120-150)	1308	51-1/2	1143	45	83	3-1/4	521	20-1/2
	A2ECON31N-1- (180-240)	1829	72	1524	60	152	6	521	20-1/2
High Performance Economizers	A2ECON34L-1 (072-090)	813	32	762	30	25	1	514	20-1/4
	A2ECON34M-1 (120-150)	1308	51-1/2	1143	45	83	3-1/4	514	20-1/4
	A2ECON34N-1 (180-240)	1829	72	1524	60	152	6	514	20-1/4



Model Number	A		B	
	mm	in.	mm	in.
ELA072, and ELA090	1260	49-5/8	1156	45-1/2
ELA120 and ELA150	1667	65-5/8	1559	61-3/8
ELA180 and ELA240	2442	96-1/8	2334	91-7/8

¹ NOTE - Openings same size top and bottom.

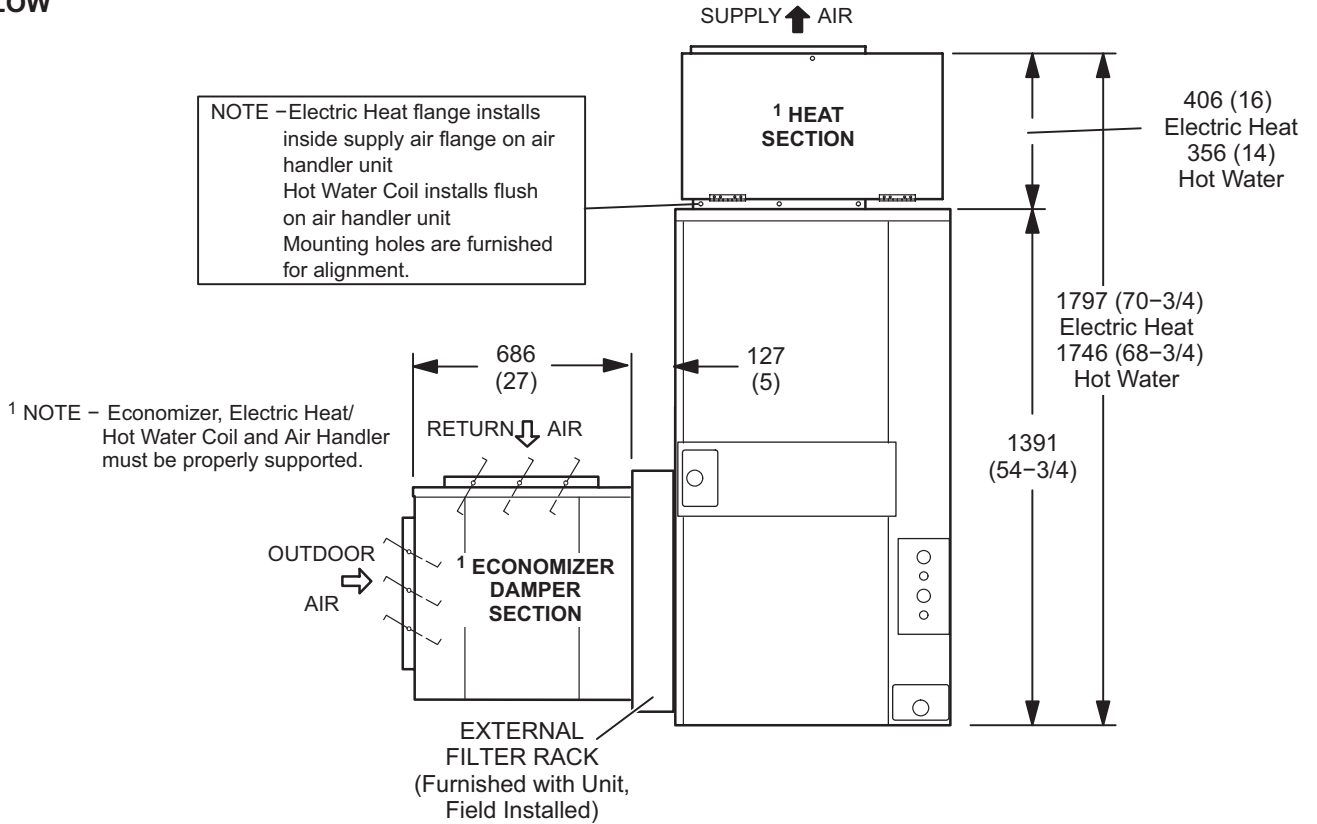


Air Handler Usage	A		B	
	mm	in.	mm	in.
ELA072 Thru ELA150	914	36	1219	48
ELA180 Thru ELA240	1372	54	1676	66

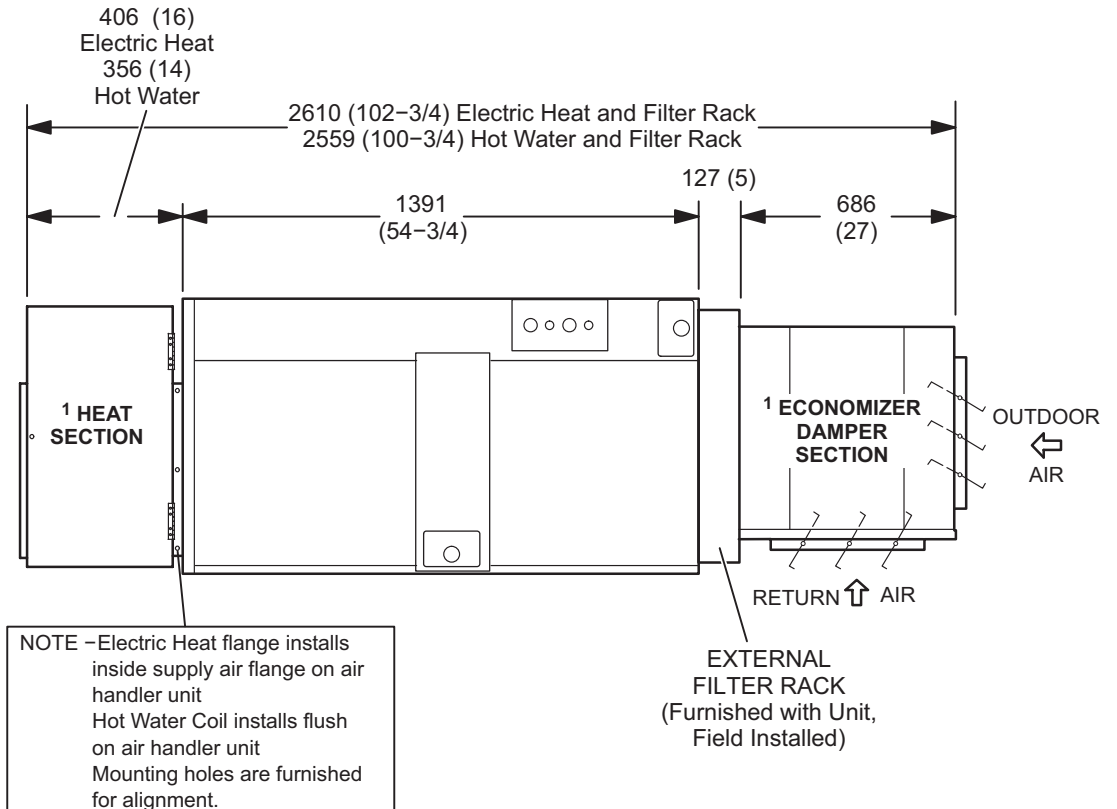
DIMENSIONS - ACCESSORIES

AIR HANDLER WITH OPTIONAL ELECTRIC HEAT/HOT WATER COIL AND ECONOMIZER

UPFLOW



HORIZONTAL



REVISIONS

Sections	Description of Change
Optional Accessories	Single Enthalpy Control (Standard Economizer) Catalog Number updated.



Visit us at www.lennox.com

For the latest technical information, www.lennoxcommercial.com

Contact us at 1-800-4-LENNOX

NOTE - Due to Lennox' ongoing commitment to quality, Specifications, Ratings and Dimensions subject to change without notice and without incurring liability. Improper installation, adjustment, alteration, service or maintenance can cause property damage or personal injury. Installation and service must be performed by a qualified installer and servicing agency.

©2020 Lennox Industries, Inc.