

High efficiency upflow/horizontal gas furnace may be installed in a utility room, basement, enclosed alcove/ closet or crawlspace or attic.

100% fired and tested - All units and each component are tested on the manufacturing line.

Packaging - Unique corner post design assures product will arrive to the homeowner dent free.

Tubular Primary Heat Exchanger - Heavy gauge aluminized steel heat exchanger assures a long life.

Blower Delay - Assures a warm duct temperature at furnace start-up. Adjustable blower off settings.

Blower Post Purge - Increases life of heat exchanger.

Hot Surface Ignitor - Innovative application of an appliance type ignitor.

Flexible Venting - All furnaces may be vented according to Category I venting requirements.

Color Coded Wire Harness - Designed to fit the components, all with quick-connect fittings for ease of service and replacement.

Cooling cycle blower-off Time Delay Relay (TDR) increases cooling performance.

Multi-Speed Direct Drive Blower - Designed to give a wide range of cooling capacities.

Diagnostic lights for easy troubleshooting.

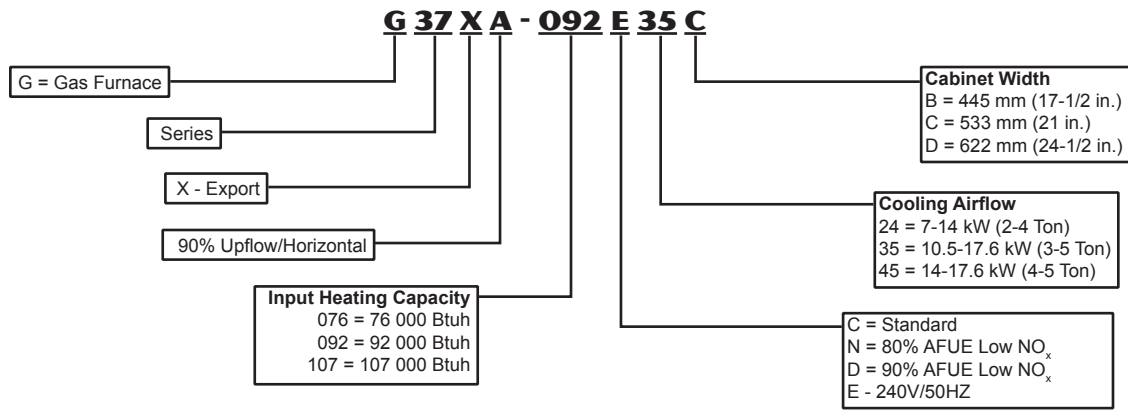
Integrated control board - Incorporates connections for powered air cleaner, humidifier and twinning.

Two piece door design - Enhances furnace appearance and uses captured screws to prevent losing screws.



22 to 30 kW Input Heating Capacity

MODEL NUMBER IDENTIFICATION



SPECIFICATIONS

Model Number	G37XA-076-24B	G37XA092-35C	G37XA107-45D
Heating Input - kW (Btuh)	22.3 (76 000)	27.0 (92 000)	31.4 (107 000)
Heating Output - kW (Btuh)	17.8 (60 800)	21.6 (73 600)	25.1 (85 600)
Annual Fuel Utilization Efficiency (AFUE)	80.0%	80.0%	80.0%
Temperature Rise Range - °C (°F)	19 - 36 (35 - 65)	22 - 39 (40 - 70)	22 - 39 (40 - 70)
Vent Connection (dia.) - mm (in.)	102 (4)	102 (4)	102 (4)
Gas Pipe Size - in. (IPS)	1/2	1/2	1/2
Blower Diameter x Width - mm (in.)	279 x 203 (11 x 8)	279 x 254 (11 x 10)	279 x 254 (11 x 10)
Motor W (hp) - Speed - Type	(0.5) 4 - PSC	(1) 4 - PSC	(1) 4 - PSC
Motor Full Load Amps	8.2	13.8	13.8
Rated External. Static Pressure - PA (in. w.g.)	125 (0.5)	125 (0.5)	125 (0.5)
Blower Off Delay	30 seconds Adjustable - 60/90/120 seconds	30 seconds Adjustable - 60/90/120 seconds	30 seconds Adjustable - 60/90/120 seconds
Blower Post Purge	30 seconds	30 seconds	30 seconds
Blower Cooling Off Cycle (Time Delay Relay)	90 seconds	90 seconds	90 seconds
Voltage	240V - 1 Phase - 50HZ		
Shipping Weight - kg (lbs.)	52 (115)	57 (125)	66 (145)

VENTING

All furnaces are approved for venting with a dedicated vent system or common vented with another Category I appliance. Type B-1 double wall metal vent is recommended. The installation must be in accordance with the venting instructions supplied with the furnace.

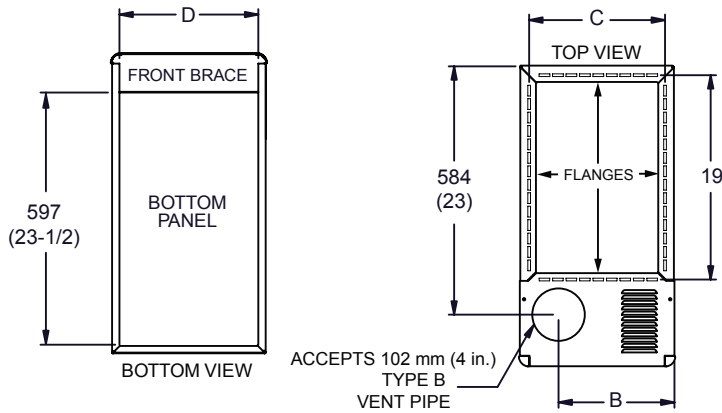
BLOWER DATA

Model Number	Motor Switch Setting				External Static Pressure - PA (in.w.c.)																	
					25 (0.1)		50 (0.2)		75 (0.3)		100 (0.4)		125 (0.5)		150 (0.6)		175 (0.7)		200 (0.8)			
	1/5	2/6	3/7	4/8	L/S	CFM	L/S	CFM	L/S	CFM	L/S	CFM	L/S	CFM	L/S	CFM	L/S	CFM	L/S	CFM		
076	0	0	1	0	370	775	350	740	335	705	315	665	---	---	---	---	---	---	---	---	---	---
	1	0	1	0	425	900	415	870	395	835	380	800	365	765	345	730	330	695	315	660		
	0	1	1	0	450	950	435	920	420	890	405	855	390	825	380	795	365	765	345	730		
	1	1	1	0	475	1000	460	970	445	940	430	910	420	880	405	850	390	820	375	790		
	0	0	0	1	510	1075	495	1045	480	1015	465	985	455	960	440	925	425	900	415	870		
	1	0	0	1	525	1110	510	1080	500	1055	485	1025	475	1000	465	975	450	945	435	920		
	0	1	0	1	555	1170	540	1140	530	1115	515	1090	505	1060	490	1035	480	1010	465	985		
	1	1	0	1	575	1210	560	1185	550	1160	535	1130	525	1105	510	1080	500	1055	485	1025		
	0	0	1	1	720	1520	580	1225	570	1200	555	1175	545	1150	530	1120	520	1095	505	1070		
	1	0	1	1	620	1305	605	1280	595	1255	585	1230	570	1205	560	1180	550	1155	535	1130		
	0	1	1	1	640	1350	585	1230	620	1305	610	1285	595	1260	590	1240	575	1215	565	1195		
	1	1	1	1	680	1440	665	1400	645	1365	585	1230	615	1295	595	1255	580	1220	560	1185		
092	0	0	0	0	535	1125	495	1040	---	---	---	---	---	---	---	---	---	---	---	---	---	---
	1	0	0	0	570	1205	530	1120	495	1040	---	---	---	---	---	---	---	---	---	---	---	---
	0	1	0	0	620	1305	580	1225	545	1150	505	1070	---	---	---	---	---	---	---	---	---	---
	1	1	0	0	675	1430	640	1350	600	1270	565	1190	525	1110	490	1030	---	---	---	---	---	---
	0	0	1	0	720	1525	685	1450	650	1375	615	1300	580	1225	545	1150	510	1075	475	1000		
	1	0	1	0	765	1620	730	1540	695	1465	660	1390	625	1315	590	1240	550	1165	515	1090		
	0	1	1	0	800	1695	765	1620	730	1545	695	1465	660	1390	625	1315	585	1235	550	1160		
	1	1	1	0	840	1770	805	1700	770	1630	735	1555	705	1485	670	1410	635	1340	600	1265		
	0	0	0	1	885	1875	855	1805	820	1730	785	1655	750	1580	715	1510	680	1435	635	1340		
	1	0	0	1	900	1905	870	1840	840	1775	810	1710	775	1640	745	1575	715	1510	685	1445		
	0	1	0	1	935	1980	905	1910	875	1845	840	1780	810	1715	780	1650	750	1580	715	1515		
	1	1	0	1	960	2025	925	1960	895	1895	865	1830	835	1765	805	1700	775	1635	745	1570		
	0	0	1	1	985	2085	960	2025	925	1960	900	1900	870	1840	840	1775	810	1715	785	1655		
	1	0	1	1	1010	2135	980	2070	950	2010	920	1945	890	1880	860	1815	830	1750	800	1685		
	0	1	1	1	1040	2200	1015	2145	990	2090	965	2035	935	1980	910	1925	885	1870	860	1820		
	1	1	1	1	1080	2280	1050	2225	1025	2170	1000	2115	975	2065	950	2010	925	1955	900	1900		
107	0	0	0	0	660	1395	640	1350	620	1305	595	1260	575	1210	550	1165	---	---	---	---	---	---
	1	0	0	0	695	1465	675	1420	650	1375	630	1330	610	1290	590	1245	570	1200	---	---	---	---
	0	1	0	0	735	1555	715	1510	695	1470	675	1425	655	1380	635	1340	615	1295	590	1250		
	1	1	0	0	770	1625	750	1585	730	1540	710	1500	690	1460	670	1415	650	1375	630	1335		
	0	0	1	0	800	1690	780	1650	760	1610	745	1570	725	1530	705	1485	685	1445	665	1405		
	1	0	1	0	835	1760	810	1715	790	1670	770	1625	745	1575	725	1530	705	1485	680	1440		
	0	1	1	0	870	1835	845	1790	825	1745	800	1695	780	1650	760	1605	735	1555	715	1510		
	1	1	1	0	890	1885	870	1840	845	1790	825	1745	805	1700	785	1655	760	1610	740	1565		
	0	0	0	1	920	1945	900	1900	875	1850	855	1805	835	1760	810	1710	790	1665	765	1620		
	1	0	0	1	925	1950	900	1905	880	1860	860	1820	840	1775	820	1735	800	1690	780	1650		
	0	1	0	1	980	2075	960	2030	940	1990	920	1945	900	1900	880	1855	855	1810	840	1770		
	1	1	0	1	1005	2125	985	2085	965	2040	945	2000	925	1955	905	1910	885	1870	865	1825		
	0	0	1	1	1025	2170	1010	2130	990	2090	970	2045	950	2005	930	1965	910	1925	890	1880		
	1	0	1	1	1050	2215	1030	2180	1010	2140	995	2105	980	2070	965	2035	945	2000	930	1965		
	0	1	1	1	---	---	---	---	---	---	---	---	---	---	1050	2225	1025	2165	995	2100	965	2040
	1	1	1	1	---	---	---	---	---	---	---	---	---	---	---	---	1025	2170	1005	2120	975	2065

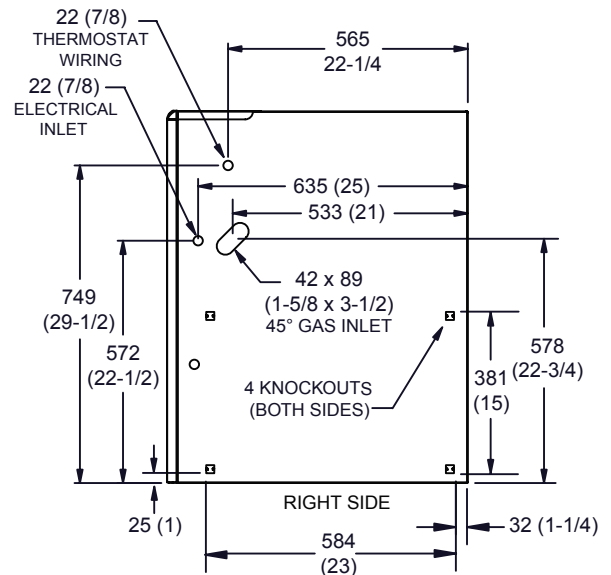
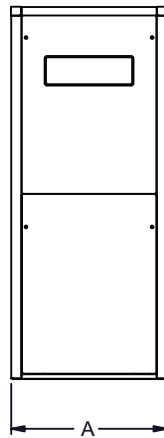
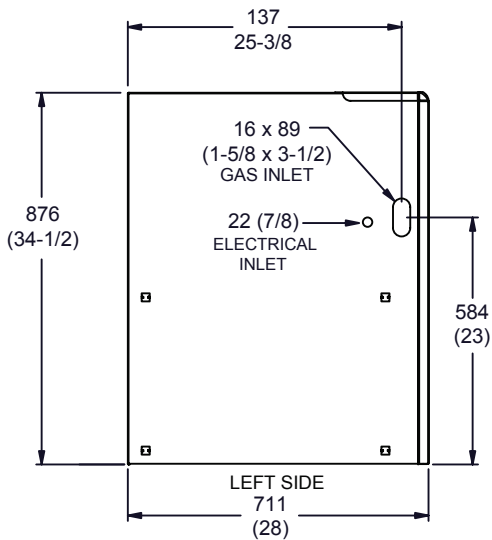
Notes:

1. Motor Switch Settings are for heating speeds using HEAT switches 1, 2, 3, and 4, and cooling speeds using COOL switches 5, 6, 7, and 8.
2. Two openings are recommended for airflow above 755 L/S (1600 CFM) if the filter is adjacent to the furnace.
3. Data is shown without filter.

DIMENSIONS - MM (INCHES)



Model Number		A	B	C	D
076	mm	445	298	403	410
	in.	17-1/2	11-3/4	15-7/8	16-1/8
092	mm	533	356	492	498
	in.	21	14	19-3/8	19-5/8
107	mm	622	387	581	587
	in.	24-1/2	15-1/4	22-7/8	23-1/8



INSTALLATION CLEARANCES

UPFLOW POSITION

Vent Type	Standard Single Wall Metal Vent		Type B-1 Double Wall Metal Vent	
	mm	in.	mm	in.
Left Side	0	0	0	0
Right Side	127	5	0	0
Vent	152	6	25	1
Back	0	0	0	0
Top	25	1	25	1
Bottom	0	0	0	0
Front	102	4	102	4
Front (service/alcove)	610	24	610	24

HORIZONTAL POSITION

Vent Type	Standard Single Wall Metal Vent		Type B-1 Double Wall Metal Vent	
	mm	in.	mm	in.
Left Side	25	1	25	1
Right Side	0	0	0	0
Vent	152	6	25	1
Back	0	0	0	0
Top	127	5	0	0
Bottom	0	0	0	0
Front	102	4	102	4
Front (service/alcove)	610	24	610	24



Visit us at www.lennox.com

For the latest technical information, www.lennoxcommercial.com

Contact us at 1-800-9-LENNOX

NOTE - Due to Lennox' ongoing commitment to quality, Specifications, Ratings and Dimensions subject to change without notice and without incurring liability. Improper installation, adjustment, alteration, service or maintenance can cause property damage or personal injury. Installation and service must be performed by a qualified installer and servicing agency.

©2009 Lennox Industries, Inc.