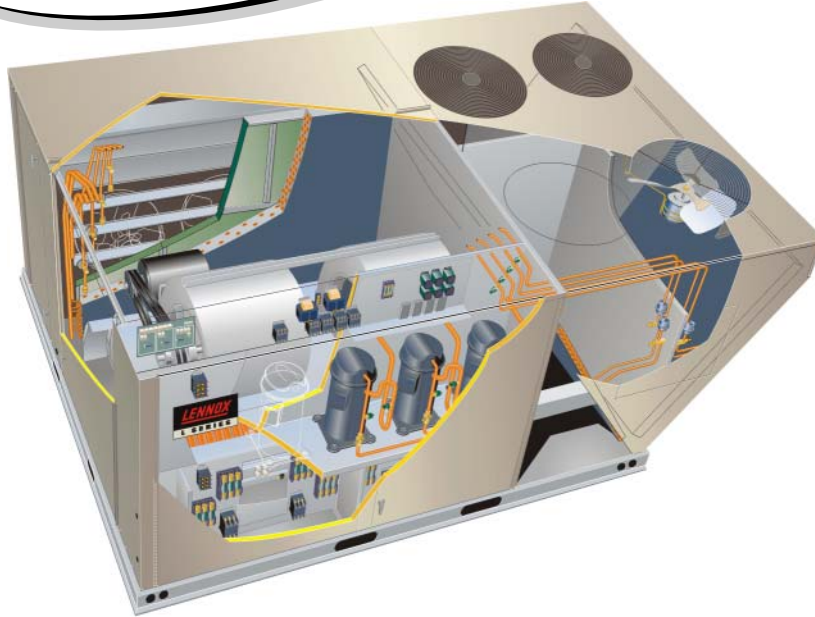
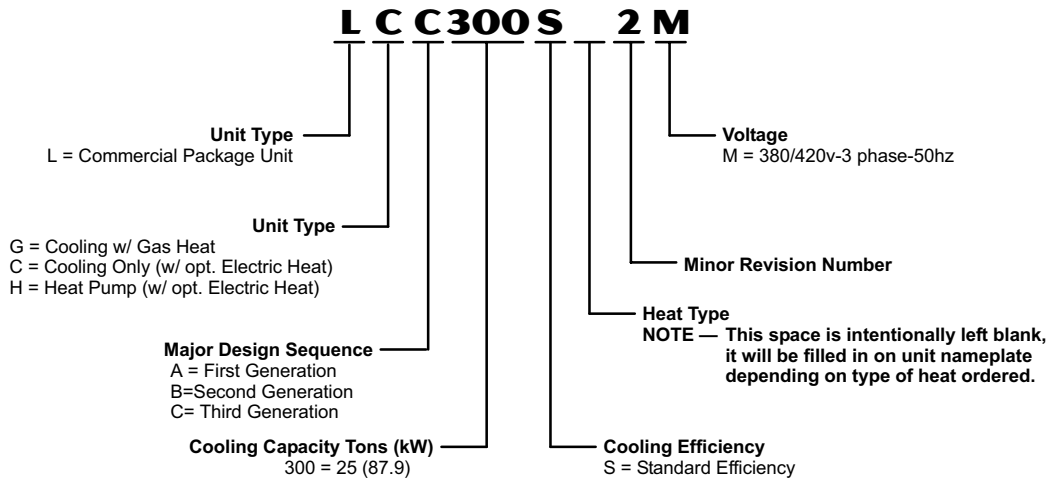


**NOTE - ELECTRONIC
VERSION ONLY**



MODEL NUMBER IDENTIFICATION



SPECIFICATIONS

Cooling Performance	Model Number	LCC300S
	Efficiency Type	Standard
	Nominal Tonnage	25
	(Number) Compressor Type	(4) Scroll
	Gross Cooling Capacity - Btuh (kW)	274 200 (80.4)
	¹ Net Cooling Capacity - Btuh (kW)	262 000 (76.8)
	Total Unit Power (kW)	27.6
	Coefficient of performance (Output/Input)	2.8
	¹ EER (Btuh/Watt)	9.5
	² Integrated Part Load Value (Btuh/Watt)	9.7
Refrigerant Charge Furnished (R-22)	Circuit 1	11 lbs. 4 oz. (5.1 kg)
	Circuit 2	11 lbs. 4 oz. (5.1 kg)
	Circuit 3	11 lbs. 4 oz. (5.1 kg)
	Circuit 4	11 lbs. 4 oz. (5.1 kg)
Condenser Coil	Net face area - sq. ft. (m ²)	56.5 (5.25)
	Tube diameter - in. (mm)	3/8 (9.5)
	Number of rows	2
	Fins per inch (m)	20 (788)
Condenser Fan	Motor horsepower (W)	(4) 1/2 (373)
	Motor rev/min	895
	Total Motor watts	1375
	Diameter - in. (mm)	(4) 24 (610)
	Number of blades	3
	Total Air volume - cfm (L/s)	13 300 (6275)
Evaporator Coil	Net face area - sq. ft. (m ²)	22.3 (2.07) total
	Tube diameter - in. (mm)	3/8 (9.5)
	Number of rows	4
	Fins per inch (m)	14 (551)
	Drain connection - no. & size - in. (mm) fpt	(1) 1 (25)
	Expansion device type	Balanced Port Thermostatic Expansion Valve, replaceable thermostatic element
Indoor Blower and Drive Selection	Nominal motor output	5 hp (3.7 kW), 7.5 hp (5.6 kW), 10 hp (8.6 kW)
	Motor - Drive kit	5 hp kit #2 - 570 - 755 rev/min kit #3 - 710 - 870 rev/min kit #4 - 790 - 990 rev/min
		7.5 hp kit #5 - 790 - 990 rev/min kit #6 - 870 - 1070 rev/min
Wheel nominal diameter x width - in. (mm)	(2) 15 x 15 (381 x 381)	
Filters	Type of filter	Disposable, pleated MERV 7 (standard)
	Number and size - in. (mm)	(6) 24 x 24 x 2 (610 x 610 x 51)
Electrical characteristics		380/420v - 3 phase with neutral

NOTE - Net capacity includes evaporator blower motor heat deduction. Gross capacity does not include evaporator blower motor heat deduction.

¹ Rated test conditions are those included in Air Conditioning and Refrigeration (ARI) Standard 340/360 while operating at rated voltages and air volumes; 95°F (35°C) outdoor air temperature and 80°F (27°C) db/67°F (19°C) wb entering evaporator air; minimum external duct static pressure.

² Integrated Part Load Value tested at 80°F (27°C) outdoor air temperature.

ELECTRICAL DATA

Model Number		LCC300S		
Line voltage data - 50 Hz		380/420V-3ph		
Compressors (2)	Rated load (A) each (total)	9 (36)		
	Locked rotor (A) each (total)	70 (280)		
Condenser Fan Motors (4)	Full load (A) total	6		
	Locked rotor (A) total	12		
Indoor Blower Motor	Motor Output - hp	5	7.5	10
	kW	3.7	5.6	7.5
	Full load (A)	7.8	11.8	15.2
	Locked rotor (A)	46	66	84
Optional Power Exhaust Fan	(Number) horsepower (W)	(2) 1/3 (249)		
	Full load amps	2.6		
	Locked rotor amps	4.8		
Electric Heat - per element (A)		15.7		

NOTE - Refer to local electrical codes to determine wire, fuse and disconnect size requirements. Use wires suitable for at least 167°F (75°C).

ELECTRIC HEAT DATA

kW Size	Electric Heat Model Number (see footnote) and Net Weight	Number of Elements	Volts Input	Heating Capacity - 50hz		
				kW	kcal	Btuh
15 kW	¹ (1) EHA240-7.5 (99J18) and	1	380	9.4	8090	32 100
	¹ (1) EHA240S-7.5 (99J19)	1	400	10.4	8970	35 600
	59 lbs. (27 kg) (total weight)	1	420	11.5	9880	39 200
30 kW	¹ (1) EHA360-15 (99J24) and	1	380	18.8	16 200	64 200
	¹ (1) EHA360S-15 (99J25)	1	400	20.8	17 900	71 100
	59 lbs. (27 kg) (total weight)	1	420	23.0	19 800	78 400
45 kW	² (2) EHA360-22.5 (99J29)	³ 2	380	28.2	24 300	96 300
	76 lbs. (35 kg) (total weight)	³ 2	400	31.2	26 900	106 700
		³ 2	420	34.4	26 600	117 600
60 kW	² (2) EHA150-30 (99J08)	³ 2	380	37.6	32 400	128 400
	76 lbs. (35 kg) (total weight)	³ 2	400	41.6	35 800	142 200
		³ 2	420	45.9	39 500	156 800
90 kW	² (2) EHA360-45 (99J32)	³ 2	380	56.4	48 500	192 500
	84 lbs. (38 kg) (total weight)	³ 2	400	62.5	53 700	213 200
		³ 2	420	68.9	59 200	235 100

NOTE - Fuse block (25K14) must be ordered extra. Factory installed heaters will have the fuse block factory installed. Fuse block must be installed in field installed heaters. Also requires LTB2 Terminal Block (30K75).

NOTE - Electric Heat Control Module (15K92) required on 45, 60 and 90 kW sizes only (module furnished with factory installed electric heaters).

¹ NOTE - For field installed electric heat, order (1) of each heater shown to make up heater size required.

² NOTE - For field installed electric heat, order (2) of same heater shown to make up heater size required.

³ May be used with two stage control.

COOLING RATINGS

NOTE - For Temperatures and Capacities not shown in tables, see bulletin — Cooling Unit Rating Table Correction Factor Data in Miscellaneous Engineering Data section.

LGC300S - PART LOAD COOLING CAPACITY - 50HZ

Entering Wet Bulb Temperature	Total Air Volume		Outdoor Air Temperature Entering Outdoor Coil																							
			18°C (65°F)						24°C (75°F)						29°C (85°F)						35°C (95°F)					
			Total Cooling Capacity		Comp Motor kW Input	Sensible To Total Ratio (S/T) Dry Bulb			Total Cooling Capacity		Comp Motor kW Input	Sensible To Total Ratio (S/T) Dry Bulb			Total Cooling Capacity		Comp Motor kW Input	Sensible To Total Ratio (S/T) Dry Bulb			Total Cooling Capacity		Comp Motor kW Input	Sensible To Total Ratio (S/T) Dry Bulb		
						24°C 75°F	27°C 80°F	29°C 85°F				24°C 75°F	27°C 80°F	29°C 85°F				24°C 75°F	27°C 80°F	29°C 85°F				24°C 75°F	27°C 80°F	29°C 85°F
17°C (63°F)	3.77	8000	40.0	136.4	7.46	.63	.80	.99	38.7	132.2	8.30	.64	.82	1.00	37.5	127.8	9.26	.65	.85	1.00	36.2	123.4	10.36	.66	.87	1.00
	4.72	10000	41.5	141.6	7.58	.68	.91	1.00	40.2	137.2	8.42	.70	.94	1.00	38.9	132.8	9.38	.72	.96	1.00	37.6	128.2	10.48	.74	.98	1.00
	5.66	12000	42.8	146.0	7.68	.76	.99	1.00	41.6	141.8	8.54	.78	1.00	1.00	40.3	137.4	9.50	.81	1.00	1.00	38.9	132.8	10.62	.83	1.00	1.00
19°C (67°F)	3.77	8000	42.3	144.2	7.64	.49	.61	.76	40.9	139.6	8.50	.50	.62	.78	39.6	135.0	9.46	.50	.63	.80	38.1	130.0	10.54	.51	.64	.83
	4.72	10000	43.4	148.2	7.74	.52	.66	.87	42.1	143.6	8.58	.53	.67	.90	40.6	138.6	9.56	.54	.69	.92	39.1	133.4	10.66	.54	.71	.95
	5.66	12000	44.4	151.4	7.82	.55	.73	.97	42.9	146.4	8.66	.56	.76	.98	41.4	141.4	9.64	.57	.78	1.00	39.9	136.0	10.74	.58	.81	1.00
22°C (71°F)	3.77	8000	44.8	153.0	7.86	.37	.48	.59	43.4	148.2	8.70	.37	.48	.60	42.0	143.2	9.68	.37	.49	.61	40.4	137.8	10.78	.37	.50	.62
	4.72	10000	46.0	157.0	7.96	.38	.51	.64	44.5	152.0	8.80	.38	.52	.65	43.0	146.8	9.78	.38	.52	.67	41.4	141.2	10.88	.39	.53	.69
	5.66	12000	46.8	159.6	8.04	.39	.54	.71	45.3	154.4	8.88	.39	.55	.73	43.7	149.0	9.84	.40	.56	.75	42.0	143.2	10.94	.40	.57	.78

LGC300S - FULL LOAD COOLING CAPACITY - 50HZ

Entering Wet Bulb Temperature	Total Air Volume		Outdoor Air Temperature Entering Outdoor Coil																							
			27°C (80°F)						35°C (95°F)						43°C (110°F)						52°C (125°F)					
			Total Cooling Capacity		Comp Motor kW Input	Sensible To Total Ratio (S/T) Dry Bulb			Total Cooling Capacity		Comp Motor kW Input	Sensible To Total Ratio (S/T) Dry Bulb			Total Cooling Capacity		Comp Motor kW Input	Sensible To Total Ratio (S/T) Dry Bulb			Total Cooling Capacity		Comp Motor kW Input	Sensible To Total Ratio (S/T) Dry Bulb		
						24°C 75°F	27°C 80°F	29°C 85°F				24°C 75°F	27°C 80°F	29°C 85°F				24°C 75°F	27°C 80°F	29°C 85°F				24°C 75°F	27°C 80°F	29°C 85°F
17°C (63°F)	4.25	9000	79.8	272.4	18.12	.76	.94	1.00	75.6	258.0	21.40	.78	.98	1.00	71.2	243.0	25.40	.81	1.00	1.00	66.5	226.8	30.18	.85	1.00	1.00
	4.72	10000	81.2	277.2	18.24	.79	.99	1.00	77.1	263.0	21.52	.82	1.00	1.00	72.7	248.2	25.56	.85	1.00	1.00	68.1	232.2	30.40	.90	1.00	1.00
	5.19	11000	82.6	282.0	18.36	.83	1.00	1.00	78.6	268.2	21.68	.86	1.00	1.00	74.3	253.6	25.72	.90	1.00	1.00	69.5	237.0	30.56	.94	1.00	1.00
19°C (67°F)	4.25	9000	83.9	286.2	18.48	.59	.74	.91	79.4	271.0	21.76	.60	.76	.94	74.4	254.0	25.78	.62	.79	.98	68.9	235.2	30.56	.64	.83	1.00
	4.72	10000	84.9	289.8	18.56	.61	.77	.96	80.4	274.2	21.88	.62	.80	.99	75.3	256.8	25.90	.64	.83	1.00	69.8	238.0	30.66	.66	.87	1.00
	5.19	11000	85.9	293.0	18.66	.62	.80	.99	81.2	277.2	21.96	.64	.84	1.00	76.1	259.6	25.96	.66	.87	1.00	70.5	240.6	30.76	.68	.92	1.00
22°C (71°F)	4.25	9000	88.9	303.4	18.94	.43	.57	.72	84.1	287.0	22.24	.43	.59	.74	78.8	269.0	26.28	.44	.60	.77	73.0	249.2	31.08	.45	.63	.80
	4.72	10000	89.9	306.8	19.02	.43	.59	.75	85.0	290.2	22.32	.44	.61	.78	79.6	271.6	26.34	.45	.63	.81	73.7	251.6	31.18	.46	.65	.85
	5.19	11000	90.7	309.4	19.10	.44	.62	.78	85.7	292.4	22.44	.45	.63	.81	80.3	274.0	26.42	.46	.65	.85	74.3	253.6	31.24	.47	.68	.90

BLOWER DATA

DRIVE KIT SPECIFICATIONS

Blower Motor Outputs		Rev/Min Range						
Nominal hp	Nominal kW	Drive 2	Drive 3	Drive 4	Drive 5	Drive 6	Drive 7	Drive 8
5	3.7	570-755	710-870	790-990	---	---	---	---
7.5	5.6	---	---	---	790-990	870-1070	710-870	---
10	7.5	---	---	---	---	870-1070	---	945-1140

ACCESSORY AIR RESISTANCE

Air Volume		Total Resistance - inches water gauge (Pa)		
cfm	L/s	Wet Indoor Coil	Economizer	Horizontal Roof Curb
4000	1890	.04 (10)	---	---
4250	2005	.04 (10)	---	---
4500	2125	.05 (12)	---	.02 (5)
4750	2240	.05 (12)	---	.03 (7)
5000	2360	.05 (12)	---	.03 (7)
5250	2475	.06 (15)	---	.04 (10)
5500	2595	.07 (17)	---	.04 (10)
5750	2715	.07 (17)	---	.05 (12)
6000	2830	.08 (20)	---	.06 (15)
6250	2950	.08 (20)	.01 (2)	.07 (17)
6500	3065	.09 (22)	.02 (5)	.08 (20)
6750	3185	.10 (25)	.03 (7)	.08 (20)
7000	3305	.10 (25)	.04 (10)	.09 (22)
7250	3420	.11 (27)	.05 (12)	.10 (25)
7500	3540	.12 (30)	.06 (15)	.11 (27)
7750	3655	.12 (30)	.07 (17)	.12 (30)
8000	3775	.13 (32)	.09 (22)	.13 (32)
8250	3895	.14 (35)	.10 (25)	.14 (35)
8500	4010	.15 (37)	.11 (27)	.15 (37)
8750	4130	.16 (40)	.12 (30)	.16 (40)
9000	4245	.16 (40)	.14 (35)	.17 (42)
9250	4365	.17 (42)	.16 (40)	.18 (45)
9500	4485	.18 (45)	.16 (40)	.19 (47)
9750	4600	.19 (47)	.18 (45)	.20 (50)
10 000	4720	.20 (50)	.19 (47)	.21 (52)
10 250	4840	.21 (52)	.21 (52)	.23 (57)
10 500	4955	.22 (55)	.22 (55)	.24 (60)
10 750	5075	.23 (57)	.24 (60)	.26 (65)
11 000	5190	.24 (60)	.25 (62)	.27 (67)

BLOWER DATA

CEILING DIFFUSER AIR RESISTANCE

Model Number	Air Volume		Total Resistance - inches water gauge (Pa)			
	cfm	L/s	RTD11-185 - Step-Down Diffuser			FD11-185 Flush Diffuser
			2 Ends Open	1 Side and 2 Ends Open	All Ends and Sides Open	
300S Models	6000	2830	.36 (90)	.31 (77)	.27 (67)	.29 (72)
	6500	3065	.42 (104)	.36 (90)	.31 (77)	.34 (85)
	7000	3305	.49 (122)	.41 (102)	.36 (90)	.40 (99)
	7500	3540	.51 (127)	.46 (114)	.41 (102)	.45 (112)
	8000	3775	.59 (147)	.49 (122)	.43 (107)	.50 (124)
	8500	4010	.69 (172)	.58 (144)	.50 (124)	.57 (142)
	9000	4245	.79 (196)	.67 (167)	.58 (144)	.66 (164)
	9500	4485	.89 (221)	.75 (186)	.65 (162)	.74 (184)
	10 000	4720	1.00 (249)	.84 (209)	.73 (182)	.81 (201)
	10 500	4955	1.10 (273)	.92 (229)	.80 (199)	.89 (221)
	11 000	5190	1.21 (301)	1.01 (251)	.88 (219)	.96 (239)

CEILING DIFFUSER AIR THROW DATA

Model Number	Air Volume		¹ Effective Throw Range			
	cfm	L/s	Step-Down		Flush	
			ft.	m	ft.	m
300S Models	7200	3400	33 - 38	10 - 12	26 - 35	8 - 11
	7400	3490	35 - 40	11 - 12	28 - 37	9 - 11
	7600	3585	36 - 41	11 - 13	29 - 38	9 - 12
	7800	3680	38 - 43	11 - 13	40 - 50	12 - 15
	8000	3775	39 - 44	12 - 13	42 - 51	13 - 16
	8200	3870	41 - 46	12 - 14	43 - 52	13 - 16
	8400	3965	43 - 49	13 - 15	44 - 54	13 - 17
	8600	4060	44 - 50	13 - 15	46 - 57	14 - 17
	8800	4155	47 - 55	14 - 17	48 - 59	15 - 18

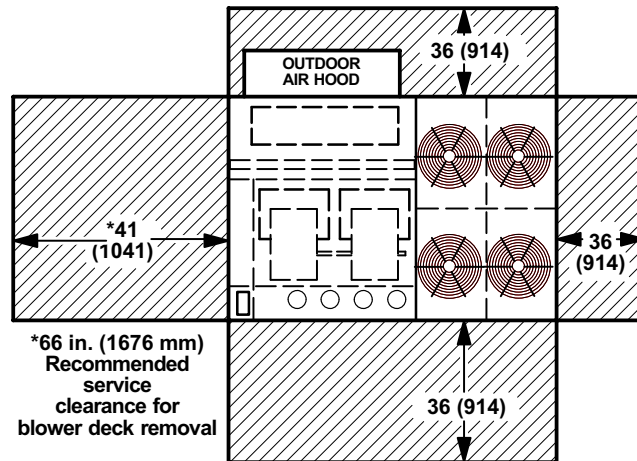
¹ Throw is the horizontal or vertical distance an airstream travels on leaving the outlet or diffuser before the maximum velocity is reduced to 50 ft. (15 m) per minute. Four sides open.

POWER EXHAUST FANS PERFORMANCE

Model Number	Return Air System Static Pressure		Air Volume Exhausted	
	in. w.g.	Pa	cfm	L/s
LCC300S	0	0	8630	4070
	0.05	12	8210	3875
	0.10	25	7725	3645
	0.15	37	7110	3355
	0.20	50	6470	3055
	0.25	62	5790	2730
	0.30	75	5060	2390
	0.35	87	4300	2030
	0.40	100	3510	1655
	0.45	112	2690	1270
0.50	125	1840	870	

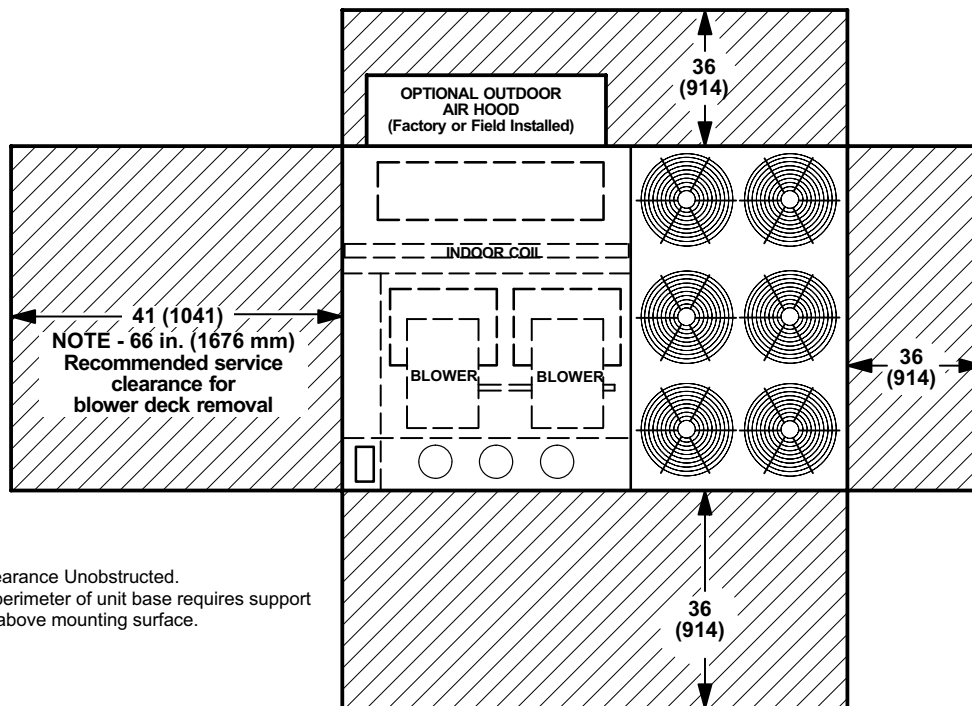
INSTALLATION CLEARANCES - INCHES (MM)

Basic Unit



NOTE - Top Clearance Unobstructed.
NOTE - Entire perimeter of unit base requires support when elevated above mounting surface.

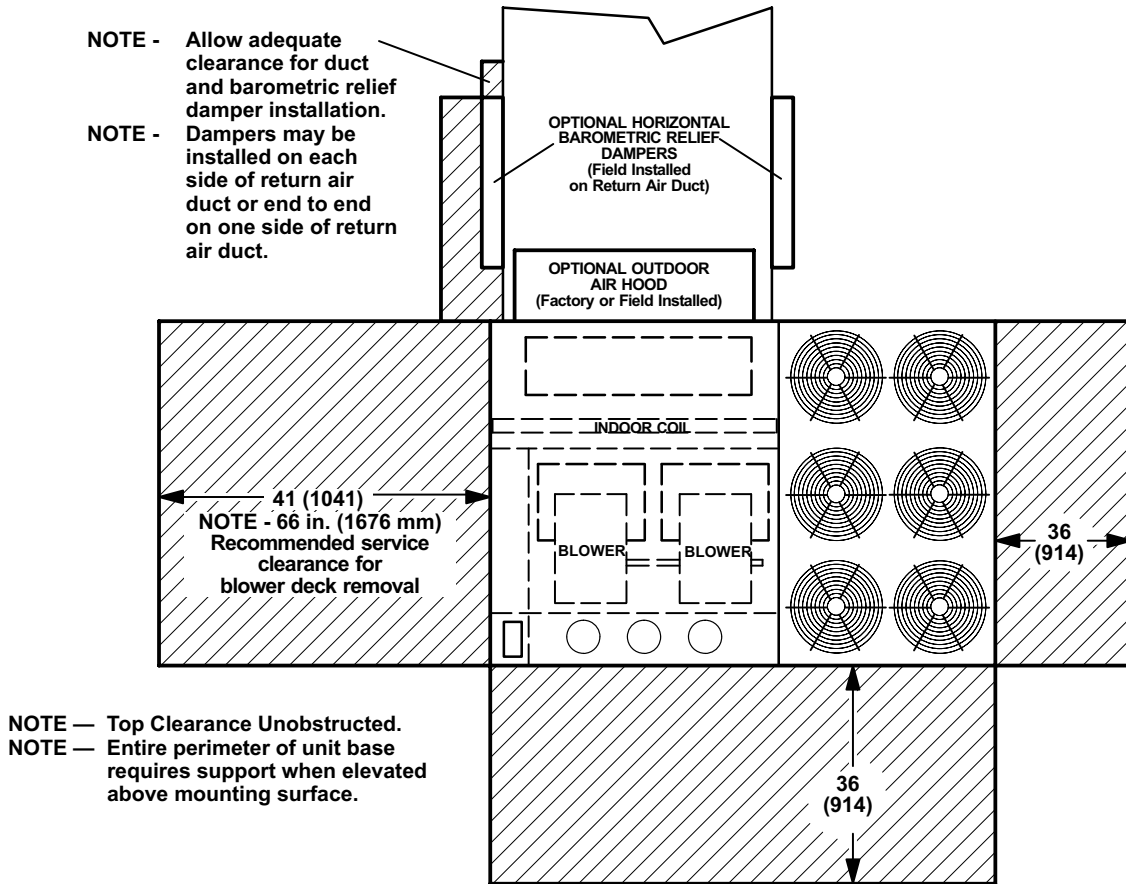
Unit With Economizer



NOTE - Top Clearance Unobstructed.
NOTE - Entire perimeter of unit base requires support when elevated above mounting surface.

INSTALLATION CLEARANCES - INCHES (MM)

Unit With Horizontal Barometric Relief Dampers



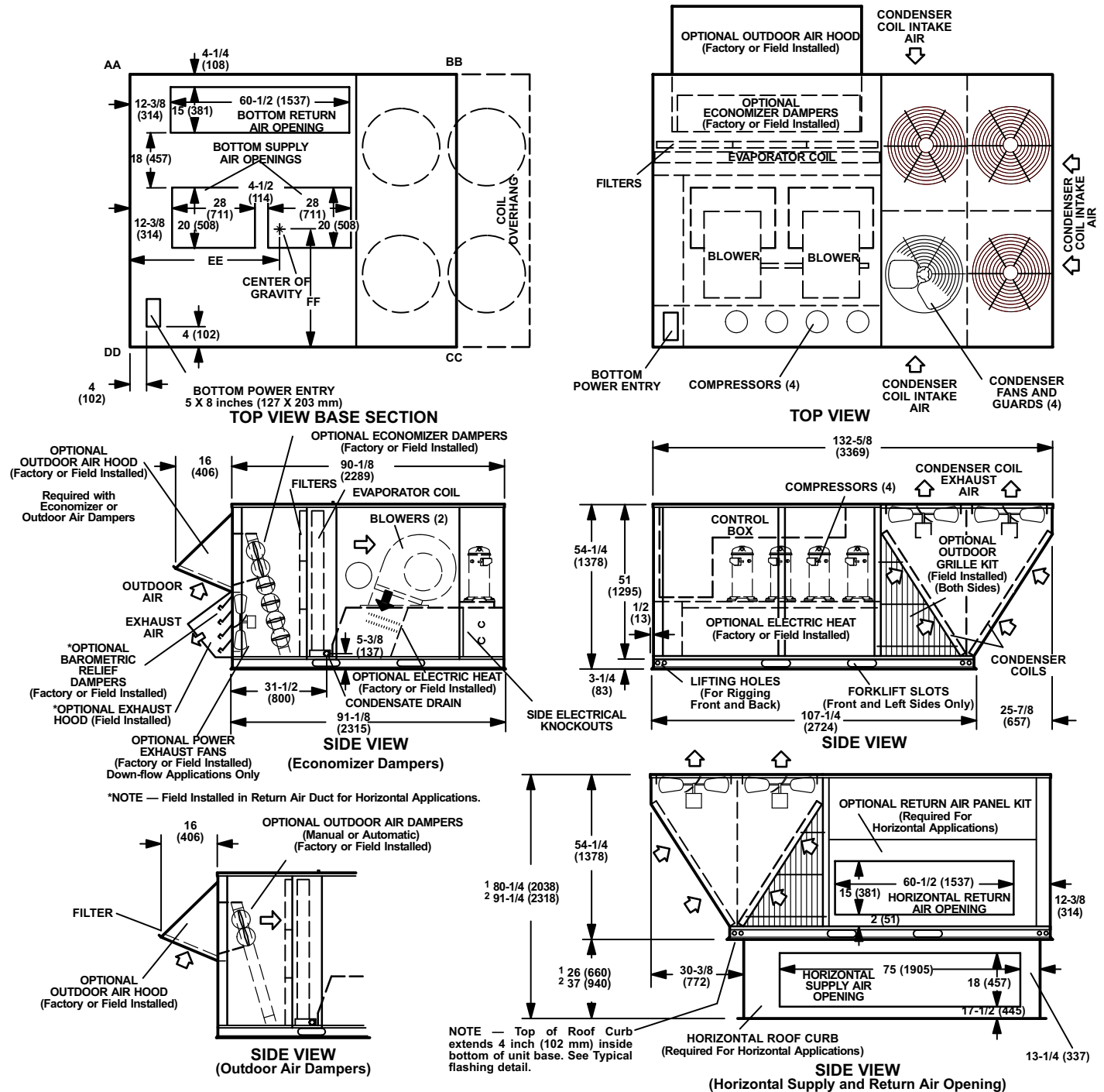
WEIGHTS AND DIMENSIONS - INCHES (MM)

Shown With Optional Economizer Dampers, Power Exhaust Fans

Model Number	WEIGHTS				CORNER WEIGHTS								CENTER OF GRAVITY			
	NET		SHIPPING		AA		BB		CC		DD		EE		FF	
	lbs.	kg	lbs.	kg	lbs.	kg	lbs.	kg	lbs.	kg	lbs.	kg	inch	mm	inch	mm
300S Base Unit	2480	1125	2680	1216	480	218	510	231	700	318	660	299	55-1/2	1410	38	965

ACCESSORY SHIPPING WEIGHTS (add to base unit weight)

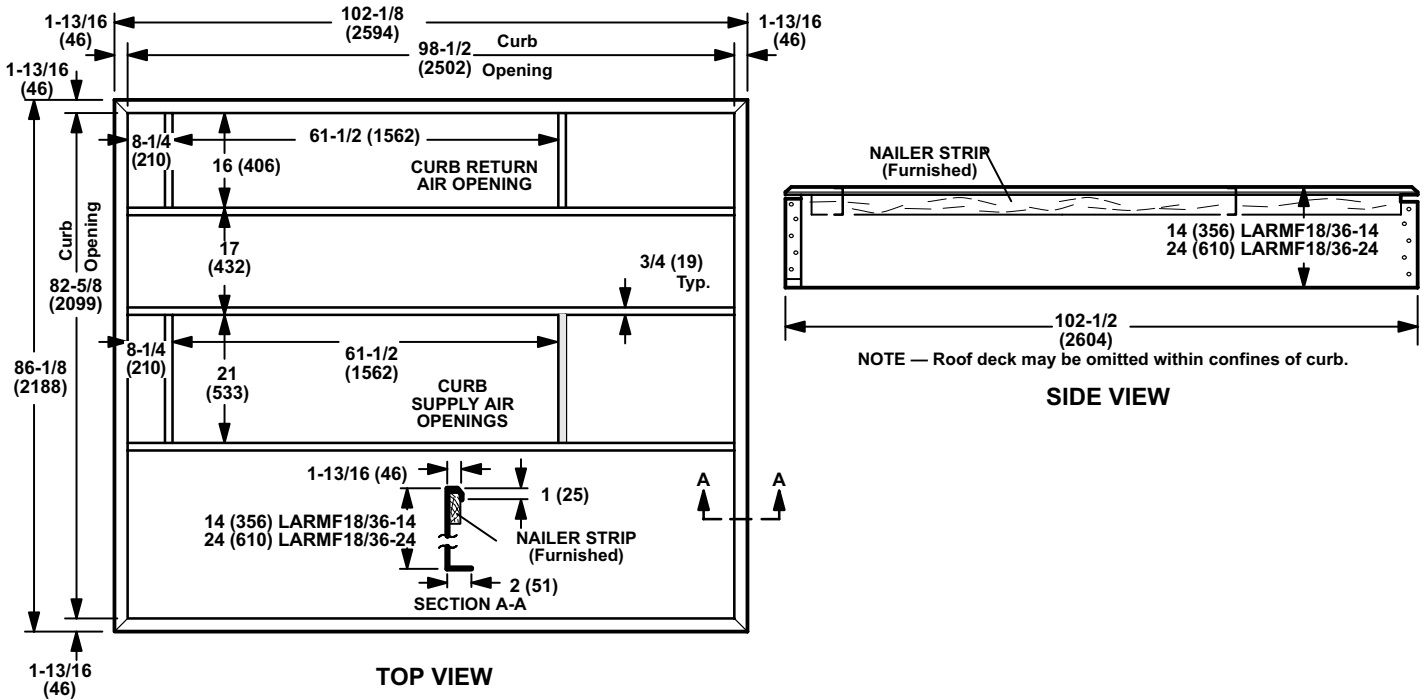
Electric Heat	See Electric Heat Rating Tables		Power Exhaust	62 lbs.	19 kg
Economizer	73 lbs.	33 kg	LTL Packaging (less than truck load)	280 lbs.	127 kg
Outdoor Air Damper	45 lbs.	20 kg			



¹ LARMFH30/36-30 ² LARMFH30/36-40

ACCESSORY DIMENSIONS - INCHES (MM)

ROOF CURB (LARMF18/36-14 AND LARMF18/36-24) - Double Duct Opening



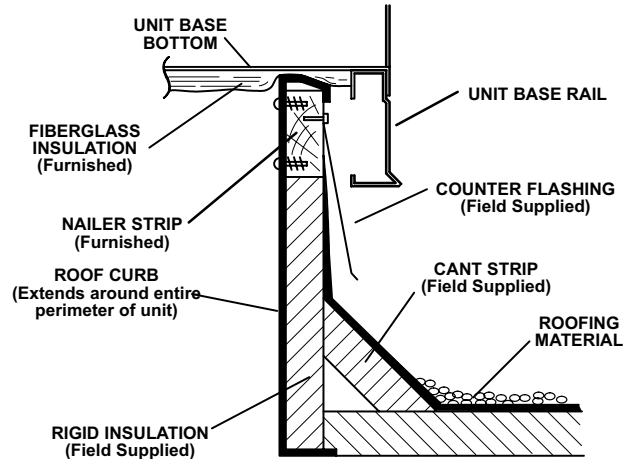
ROOF CURB SPECIFICATIONS

Roof Curb is rigid enough to be spanned over its entire length or cantilevered if supported on both sides of center of gravity.

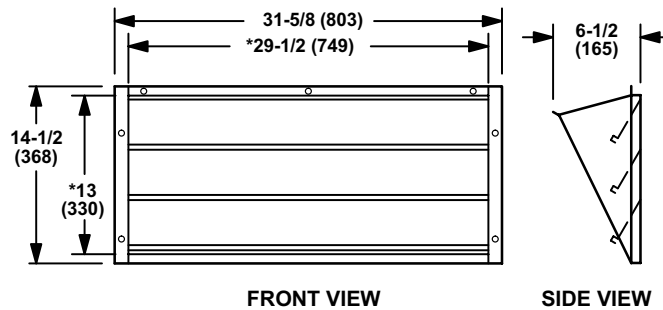
Roof Curb	LARMF18/36-14	LARMF18/36-24
*Moment of inertia (I) (in. ⁴) (cm ⁴)	39 (1634)	160 (6639)
*Section modulus $\frac{I}{C}$ (in. ³) (cm ³)	5.5 (90)	13.1 (512)
Curb weight. (lb/ft) (kg/m) of length	5.5 (8.2)	8.5 (12.7)
Design strength (psi) (kPa)	20,000 (137,900)	

*Includes both sides of curb.

TYPICAL FLASHING DETAIL FOR ROOF CURB



HORIZONTAL BAROMETRIC RELIEF DAMPERS (LAGEDH03/15) - Field installed in horizontal return air duct adjacent to unit

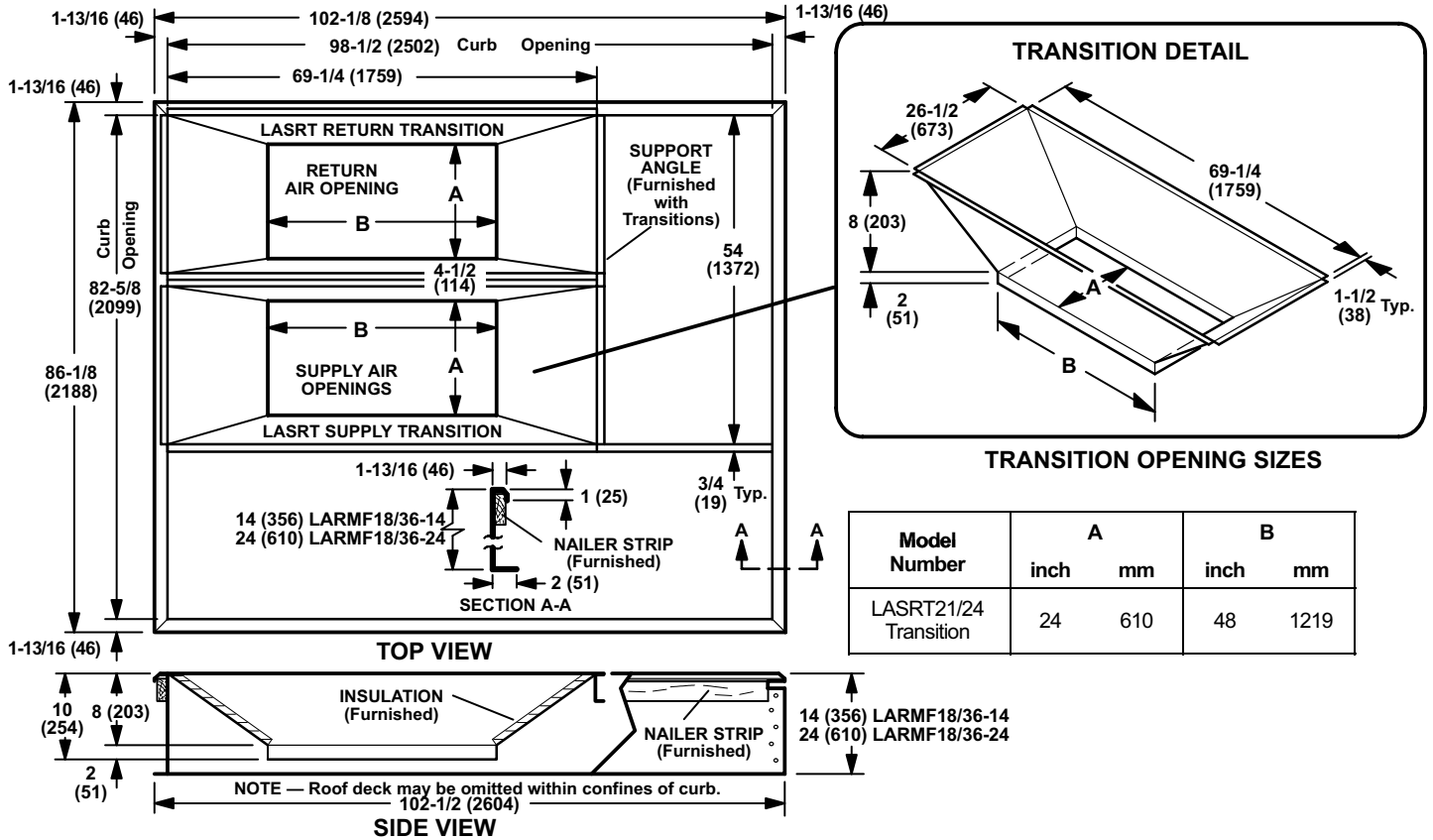


*NOTE — Opening size required in return air duct.

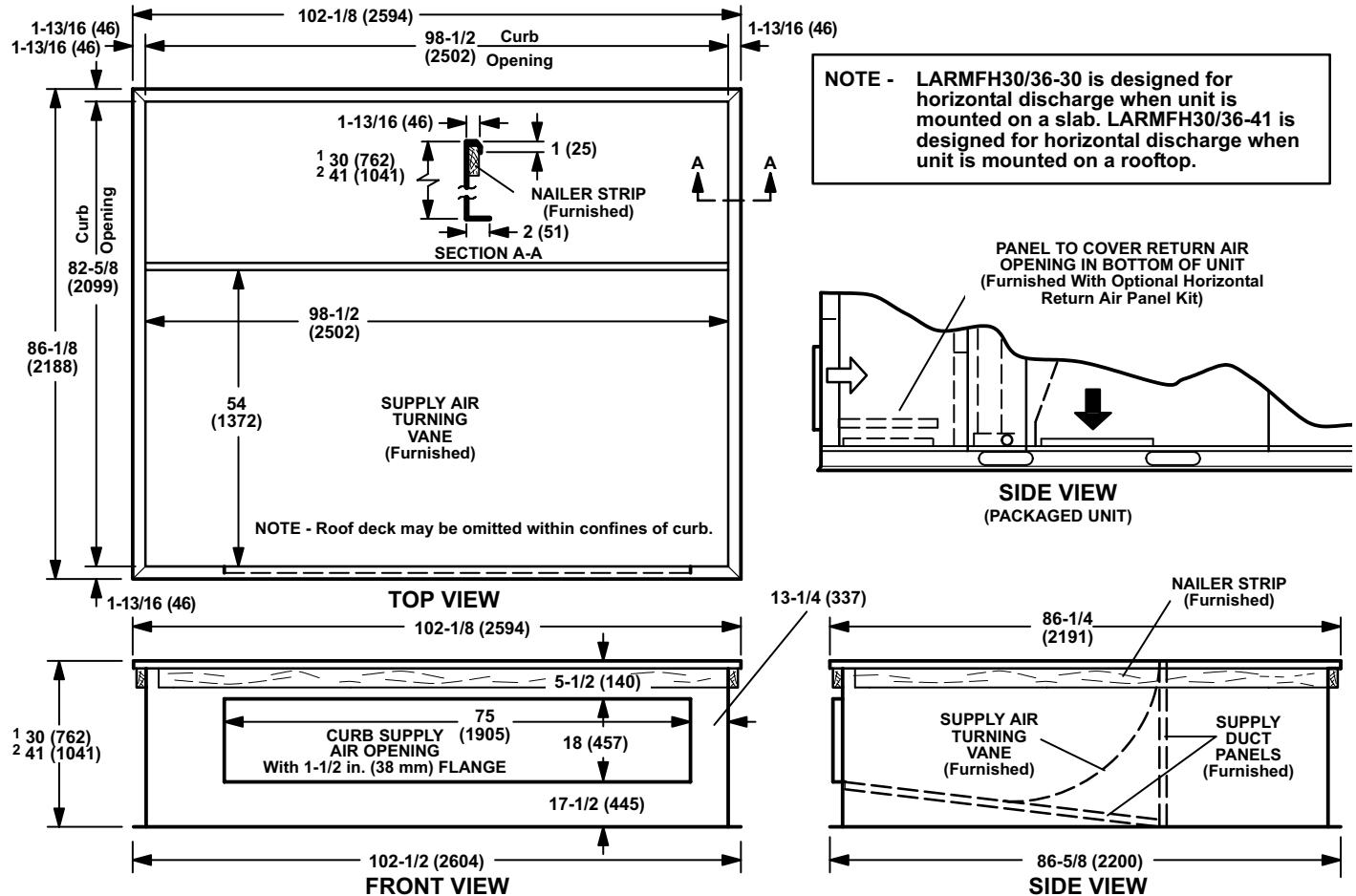
ACCESSORY DIMENSIONS - INCHES (MM)

ROOF CURBS (LARMF18/36-14 AND LARMF18/36-24)

With LASRT Supply & Return Air Transitions For FD11 & RTD11 Ceiling Diffusers



HORIZONTAL ROOF CURBS (LARMFH30/36) - Requires Optional Horizontal Return Air Panel Kit

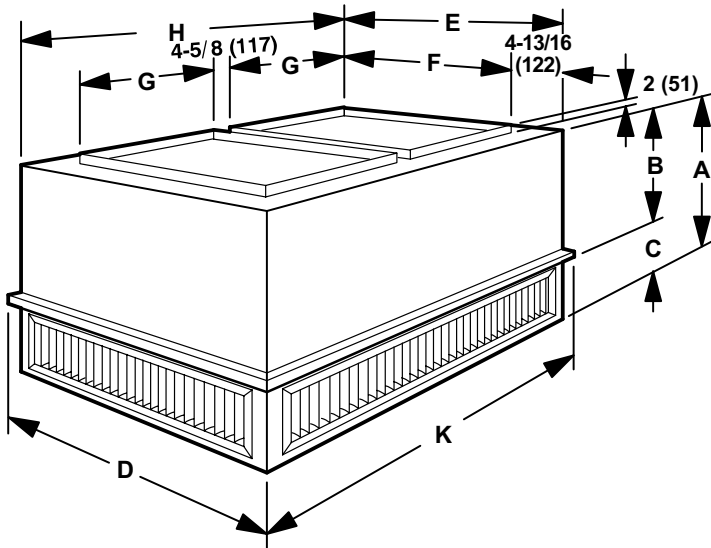


¹ LARMFH30/36-30 ² LARMFH30/36-40

ACCESSORY DIMENSIONS - INCHES (MM)

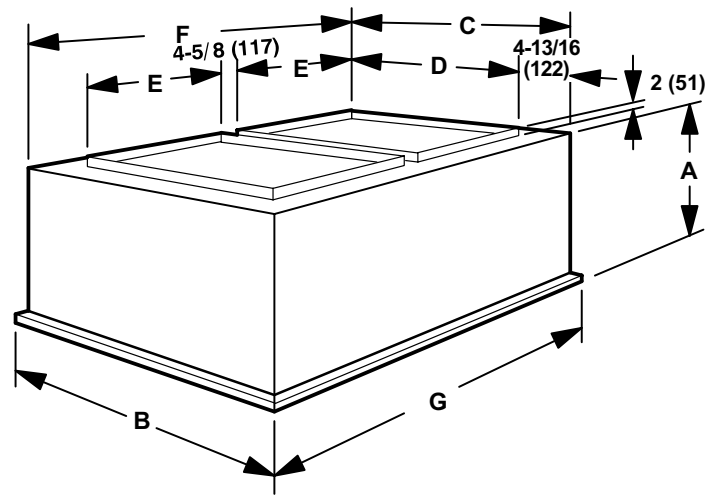
COMBINATION CEILING SUPPLY AND RETURN DIFFUSERS

RTD11-275 STEP-DOWN CEILING DIFFUSER



Model Number		RTD11-275
A	in.	40
	mm	1016
B	in.	28-7/8
	mm	225
C	in.	11-1/8
	mm	283
D	in.	59-5/8
	mm	1514
E	in.	57-7/8
	mm	1470
F	in.	48
	mm	1219
G	in.	24
	mm	610
H	in.	57-5/8
	mm	1464
K	in.	59-5/8
	mm	1521

FD11-275 FLUSH CEILING DIFFUSER



Model Number		FD11-275
A	in.	36-1/8
	mm	918
B	in.	59-5/8
	mm	1514
C	in.	57-5/8
	mm	1464
D	in.	48
	mm	1219
E	in.	24
	mm	610
F	in.	57-5/8
	mm	1464
G	in.	59-5/8
	mm	1521