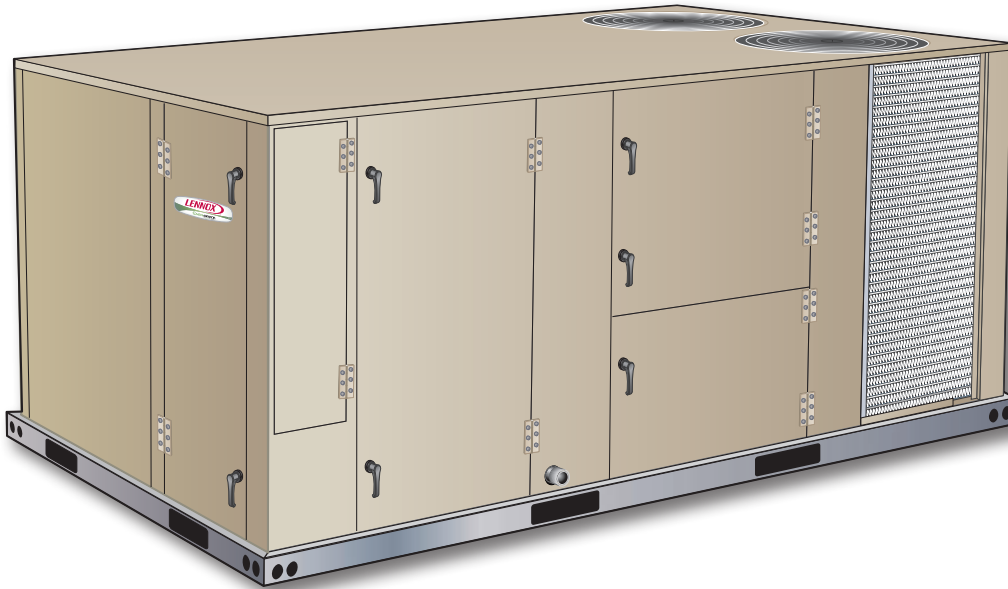




**COMMERCIAL**  
**PRODUCT SPECIFICATIONS**

Bulletin No. 490142  
 February 2020  
 Supersedes January 2020

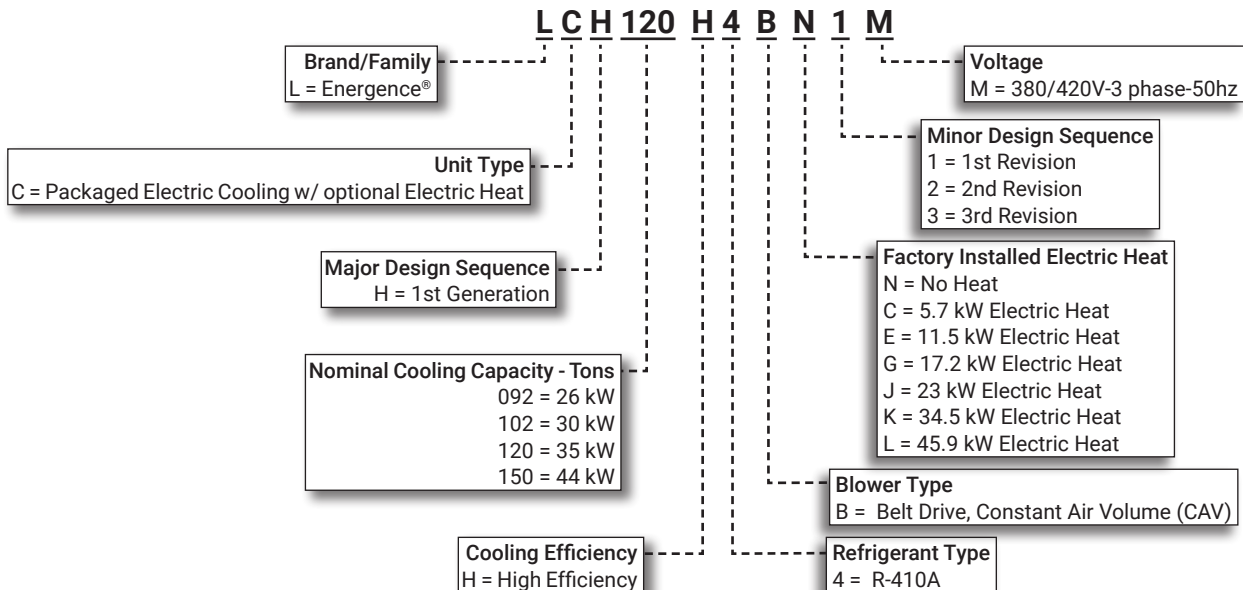


SMART WIRE™ SYSTEM



**26 to 44 kW (7.5 to 12.5 Ton)**  
**Net Cooling Capacity – 23.7 to 36.7 kW (81 000 to 123 300 Btuh)**  
**Optional Electric Heat – 5.7 to 45.9 kW**

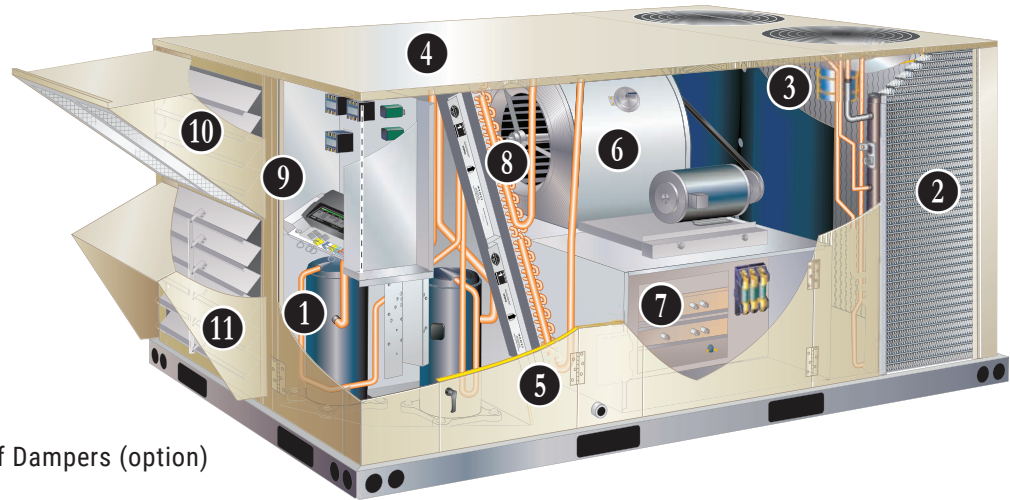
**MODEL NUMBER IDENTIFICATION**



## FEATURE HIGHLIGHTS

Lennox' Emergence® packaged rooftop unit product line was created to save energy with intelligence by offering some of the highest energy efficiency ratings available with a powerful, easy to use unit controller. This makes Emergence rooftop units perfect for business owners looking for an HVAC product with the lowest total cost of ownership.

1. Scroll Compressors
2. Environ™ Coil System
3. Outdoor Coil Fan Motors
4. Heavy Gauge Steel Cabinet
5. Hinged Access Panels
6. Supply Air Blower
7. Electric Heat (option)
8. Air Filters
9. Prodigy® Control System
10. Economizer (option)
11. Downflow Barometric Relief Dampers (option)



## CONTENTS

Blower Data . . . . .	24
Control System . . . . .	7
Dimensions - Accessories . . . . .	31
Dimensions - Unit . . . . .	30
Electrical Data . . . . .	27
Electric Heat Capacities . . . . .	27
Features And Benefits . . . . .	3
Humiditrol® Dehumidification System Option . . . . .	11
Humiditrol® Dehumidification System Ratings . . . . .	22
Model Number Identification . . . . .	1
Optional Conventional Temperature Control Systems . . . . .	12
Options / Accessories . . . . .	14
Outdoor Sound Data . . . . .	28
Performance/Quality and CE Mark Option . . . . .	3
Ratings . . . . .	18
Specifications . . . . .	17
Unit Clearances . . . . .	28
Weight Data . . . . .	29

## PERFORMANCE/QUALITY AND CE MARK OPTION

### PERFORMANCE/QUALITY

- Cooling performance is rated at test conditions included in Air-Conditioning, Heating and Refrigeration Institute (AHRI) Standard 340/360 while operating at rated voltage and air volumes
- Components bonded for grounding to meet safety standards for servicing required by Underwriters Laboratories (UL) and the International Electrotechnical Commission (IEC)
- International Organization for Standardization (ISO) 9001 Registered Manufacturing Quality System

### CE MARK OPTION

- The CE mark has been added to our rooftop product line as a configure to order (CTO) option
- This optional construction allows units to be sold into countries requiring CE marking for rooftop products
- CE marked units meet the requirements of the Machinery Directive 2006/42/EC, Low Voltage Directive 73/23/EEC, EMC Directive 89/336/EEC, and Gas Directive 90/396/EEC
- Declaration of conformity certificates will be provided for each CE marked unit on demand
- Key features of this option over and above standard product features are:
  - Touch-proof electrical components meeting the requirements of EN 60529
  - Branch circuits over 0.5 kW load have overcurrent protection
  - Rotary style/finger safe disconnect switch with locking handle prevents disconnect door from being opened with the power on
  - Padlock can be applied to lock the disconnect switch in the OFF position
- The factory wiring has been redesigned for separation of high and low voltage circuits



## FEATURES AND BENEFITS

### COOLING SYSTEM

- Designed to maximize sensible and latent cooling performance at design conditions
- System can operate from -18°C to 52°C without any additional controls

#### R-410A Refrigerant

- Non-chlorine based
- Ozone friendly

#### 1 Scroll Compressors

- Scroll compressors on all models for high performance, reliability and quiet operation
- Resiliently mounted on rubber grommets for quiet operation

#### Compressor Crankcase Heaters

- Protects against refrigerant migration that can occur during low ambient operation

#### Thermal Expansion Valves

- Assures optimal performance throughout the application range
- Removable element head

#### Filter/Driers

- High capacity filter/drier protects the system from dirt and moisture

#### High Pressure Switches

- Protects the compressors from overload conditions such as dirty condenser coils, blocked refrigerant flow, or loss of outdoor fan operation

#### Low Pressure Switches

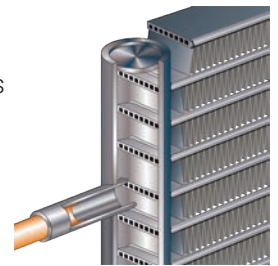
- Protects the compressors from low pressure conditions such as low refrigerant charge, or low/no airflow

#### Freezestats

- Protects the evaporator coil from damaging ice build-up due to conditions such as low/no airflow, or low refrigerant charge

#### 2 Condenser Coil - Environ™ Coil System (092 through 120 models only)

- Lightweight, all aluminum brazed fin construction
- Constructed of three components
  - A flat extrusion tube
  - Fins in-between the flat extrusion tube
  - Two refrigerant manifolds



#### Environ™ Coil System Features:

- Improved heat transfer performance due to high primary surface area (flat tubes) versus secondary surface (fins)
- Smaller internal volume (reduced refrigerant charge)
- High durability
- All aluminum construction
- Fewer brazed joints
- Compact design
- Reduced unit weight
- Easy maintenance/cleaning
- Face split design
- Mounting brackets with rubber inserts secure coil to unit providing vibration dampening and corrosion protection

## FEATURES AND BENEFITS

### COOLING SYSTEM (continued)

#### Conventional Fin/Tube Condenser Coils (150 models only, optional 092-120 models)

- Copper tube construction
- Enhanced rippled-edge aluminum fins
- Flared shoulder tubing connections
- Silver soldered construction

#### Evaporator Coil

- Copper tube construction
- Enhanced rippled-edge aluminum fins
- Flared shoulder tubing connections
- Silver soldered construction
- Factory leak tested
- Cross row circuiting with rifled tubing

#### Condensate Drain Pan

- Plastic pan, sloped to meet drainage requirements per ASHRAE 62.1
- Side or bottom drain connections
- Reversible to allow connection at back of unit

### 3 Outdoor Coil Fan Motors

- Thermal overload protected
- Totally enclosed
- Permanently lubricated ball bearings
- Shaft up
- Wire basket mount

**NOTE** - All 150 models feature two-speed motors for optimal performance at low ambient conditions.

#### Outdoor Coil Fans

- Polyvinyl chloride (PVC) coated fan guard furnished

### Required Selections

#### Cooling Capacity

- Specify nominal cooling capacity

### Options/Accessories

#### Factory Installed

#### Conventional Fin/Tube Condenser Coil (replaces Environ™ Coil System - 092 through 120 models only)

- Copper tube construction
- Enhanced rippled-edge aluminum fins
- Flared shoulder tubing connections
- Silver soldered construction

**NOTE** - All 150 models have a fin/tube coil as standard.

#### Service Valves

- Fully serviceable brass valves installed in discharge & liquid lines

**NOTE** - Not available for units equipped with Environ™ Coil System or Humiditrol Dehumidification option.

#### Factory or Field Installed

#### Condensate Drain Trap

- Available in copper or PVC
- Field installed only, may be factory ordered to ship with unit

#### Drain Pan Overflow Switch

- Monitors condensate level in drain pan
- Shuts down unit if drain becomes clogged

### CABINET

#### 4 Construction

- Heavy-gauge steel panels
- Full perimeter heavy-gauge galvanized steel base rail
- Base rails have rigging holes
- Three sides of the base rail have forklift slots
- Raised edges around duct and power entry openings in the bottom of the unit for water protection

#### Airflow Choice

- Units are shipped in downflow (vertical) return air flow configuration

**NOTE** - Units can be field converted to horizontal airflow with optional Horizontal Discharge Kit.

#### Duct Flanges

- Provided for horizontal duct attachment

#### Power Entry

- Electrical lines can be brought through the unit base or through horizontal access knock-outs

#### Exterior Panels

- Constructed of heavy-gauge, galvanized steel
- Two-layer enamel paint finish

#### Insulation

- Fully insulated with non-hygroscopic fiberglass insulation (conditioned areas)
- Unit base is fully insulated
- Base insulation serves as an air seal to the roof curb, eliminating the need to add a seal during installation

#### 5 Hinged Access Panels

- Tool-less access
- Filter section
- Blower/heating section
- Compressor/controls section
- Panel seals and quarter-turn latching handles provide a tight air and water seal

### Required Selections

#### Airflow Configuration

- Specify downflow or horizontal

## FEATURES AND BENEFITS

### **CABINET (continued)**

#### **Options/Accessories**

#### **Factory or Field Installed**

##### **Return Air Adaptor Plate**

- For same size LC/LG/LH and TC/TG/TH unit replacement
- Installs on return air opening in unit to match return air opening on existing roof curbs
- Also see Accessory Air Resistance table

#### **Factory Installed**

##### **Corrosion Protection**

- Completely flexible immersed coating
- Electrodeposited dry film process
- AST ElectroFin E-Coat
- Meets Mil Spec MIL-P-53084, ASTM B117 Standard Method Salt Spray Testing
- Indoor Corrosion Protection:
  - Coated coil
  - Coated reheat coil (Humiditrol®)
  - Painted blower housing
  - Painted base
- Outdoor Corrosion Protection:
  - Coated coil
  - Painted outdoor base

#### **Field Installed**

##### **Combination Coil/Hail Guards**

- Heavy gauge steel frame
- Painted to match cabinet
- Expanded metal mesh protects outdoor coil

##### **Horizontal Discharge Kit**

- Consists of duct covers to block off downflow supply and return air openings for horizontal applications
- Also includes return air duct flanges for end return air when economizer is used in horizontal applications

**NOTE** - When configuring unit for horizontal application with economizer, a separate Horizontal Barometric Relief Damper with Hood must be ordered separately for installation in the return air duct

### **BLOWER**

- A wide selection of supply air blower options are available to meet a variety of airflow requirements

#### **Motor**

- Overload protected
- Ball bearings
- Belt drive motors are offered on all models and are available in several different sizes to maximize air performance

#### **6 Supply Air Blower**

- Forward curved blades
- Double inlet
- Blower wheel statically and dynamically balanced
- Ball bearings
- Adjustable pulley (allows speed change)
- Blower assembly slides out of unit for servicing

#### **Ordering Information**

- Specify motor horsepower and drive kit number when base unit is ordered

#### **Options/Accessories**

#### **Factory Installed**

##### **Blower Belt Auto-Tensioner**

- Provides proper tension to belt drive blower belt without the need for regular adjustments
- Maintains airflow and proper performance

### **ELECTRICAL**

#### **SmartWire™ System**

- Keyed and color-coded wiring connectors prevent miswiring
- Wire coloring scheme is standardized across all models
- Each connection is intuitively labeled to make troubleshooting and servicing quick and easy

#### **Electrical Plugs**

- Positive connection electrical plugs are used to connect common accessories or maintenance parts for easy removal or installation

#### **Options / Accessories**

#### **Factory or Field Installed**

#### **7 Electric Heat**

- Electric heat is CE marked
- Helix wound nichrome elements
- Individual element limit controls
- Wiring harness
- Unit fuse block
- See Options / Accessories tables for ordering information

## FEATURES AND BENEFITS

### INDOOR AIR QUALITY

- 8 Air Filters
- Disposable 51 mm filters furnished as standard

#### Options / Accessories

#### **Factory or Field Installed**

##### Healthy Climate® High Efficiency Air Filters

- Disposable MERV 8 or MERV 13 (Minimum Efficiency Reporting Value based on ASHRAE 52.2) efficiency 51 mm pleated filters

#### **Field Installed**

##### Healthy Climate® UVC Germicidal Lamps



- Germicidal lamps emit ultra-violet (UV-C) energy, which has been proven to be effective in reducing microbes such as viruses, bacteria, yeasts, and molds
- This process either destroys the organism or controls its ability to reproduce
- UV-C energy greatly reduces the growth and proliferation of mold and other bioaerosols (bacteria and viruses) on illuminated surfaces (particularly coil and drain pan)
- Lamps are field installed in the blower/evaporator coil section
- All necessary hardware for installation is included
- Lamps operate on 220V single-phase power supply

**NOTE** - Step-down transformer may be ordered separately for 380/420V primary to 220V secondary units. Alternately, 220V power supply may be used to directly power the UVC ballast(s).

##### Indoor Air Quality (CO<sub>2</sub>) Sensors

- Monitors CO<sub>2</sub> levels, reports to the Prodigy® 2.0 unit controller which adjusts economizer dampers as needed

##### Replacement Filter Media Kit With Frame

- Replaces existing pleated filter media
- Includes washable metal mesh screen and metal frame with clip for holding replaceable non-pleated filter

## CONTROL SYSTEM

### PRODIGY® CONTROL SYSTEM



9 The Prodigy 2.0 unit controller is a microprocessor-based controller that provides flexible control of all unit functions.

#### **Features:**

- LCD Display
- Easy to read menu (4 lines x 20 character display)
- Buttons for menu navigation during setup and diagnostic
- Menu navigation LEDs for Data, Setup, Service, Settings
- Main Menu and Help Buttons for quick navigation to home screen and built-in help functions
- Scroll, Value Adjustment Select and Save Buttons
- Setup menu insures proper installation and simplified setup of the rooftop unit
- Profile setup copies key settings between units with the same configuration to reduce setup time
- USB port allows a technician to download and transfer unit information to help verify service was performed
- USB software updates on the Prodigy Control System enhance functionality without the need to change components
- Unit Controller Software
- Unit self-test verifies individual critical component and system performance
- Economizer test function assures economizer is operating correctly
- Time Clock with Run-Time Information

#### **Built-In Functions Include:**

- Adjustable Blower On/Off Delay
- Built-in Control Parameter Defaults
- Compressor Time-Off Delay
- DDC Compatible
- Dirty Filter Switch Input
- Discharge Air Temperature Control
- Display/Sensor Readout
- Economizer Control Options (See Economizer / Exhaust Air / Outdoor Air sections)
- Fresh Air Tempering
- Over 100 diagnostic and status messages in English
- Exhaust Fan Control Modes for fresh air damper position
- Permanent Diagnostic Code Storage
- Field Adjustable Control Parameters (Over 200 settings)
- Indoor Air Quality Input (Demand Control Ventilation)
- Low Ambient Controls for cooling operation down to 0°F

- Gas Valve Time Delay Between First and Second Stage
- Minimum Compressor Run Time
- Network Capable (Can be daisy chained to other units or controls)
- Night Setback Mode
- Return Air Temperature Limit Control
- Safety Switch Input allows Controller to respond to a external safety switch trip
- Service Relay Output
- Smoke Alarm Mode has four choices (unit off, positive pressure, negative pressure, purge)
- Up to 2 heat/2 cool (standard Prodigy unit controller thermostat input)
- Up to 3 cool with additional relay
- Up to 4 cool with room sensor or network operation
- “Strike Three” Protection
- Gas Reheat Control allows simultaneous heating and cooling operation for humidity control of process air applications such as supermarkets
- On Demand Dehumidification monitors and controls condenser hot gas reheat operation with Humiditrol® dehumidification option
- Thermostat Bounce Delay
- Warm Up Mode Delay
- LED Indicators
- PC Interface connects the Prodigy 2.0 unit controller to a PC with the Lennox Unit Controller Software
- Room Sensor Operation controls temperature

**NOTE** - Prodigy Control System features shown vary with the type of rooftop unit the control is installed in.

**NOTE** - See separate Prodigy Control System Product Specifications Bulletin for additional information.

## CONTROL SYSTEM

### PRODIGY® CONTROL SYSTEM (continued)

#### Controls Options

##### Factory or Field Installed

###### Blower Proving Switch

- Monitors blower operation, shuts down unit if blower fails

###### Dirty Filter Switch

- Senses static pressure increase indicating dirty filter condition

###### Fresh Air Tempering

- Used in applications with high outside air requirements
- Controller energizes the first stage heat as needed to maintain a minimum supply air temperature for comfort, regardless of the thermostat demand
- When ordered as a factory option, sensor ships with the unit for field installation

###### Smoke Detector

- Photoelectric type
- Installed in supply air section, return air section or both sections
- Available with power board and single sensor (supply or return) or power board and two sensors (supply and return)
- Power board located in unit control compartment

###### Interoperability via BACnet® or LonTalk® Protocols

- Communication compatible with third-party automation systems that support the BACnet Application Specific Controller device profile, LonMark® Space Comfort Controller functional profile, or LonMark Discharge Air Controller functional profile

### Commercial Control Systems

#### After-Market DDC

- Novar® Unit Controller and options

#### Thermostats

- Control system and thermostat options
- After-Market unit controller options

### Field Installed

#### General Purpose Control Kit

- Plug-in control provides additional analog and digital inputs/outputs for field installed options

#### Humidity Sensor Kit

- Humidity sensor required with factory installed Humiditol® dehumidification option or Supermarket reheat field selectable option

## OPTIONS / ACCESSORIES

### ECONOMIZER

- Economizer operation is set and controlled by the Prodigy 2.0 unit controller
- Simple plug-in connections from economizer to unit controller for easy installation
- All Emergence rooftop units are equipped with factory installed sensors for outside, return and discharge air temperature monitoring

**NOTE** - Optional sensors may be used instead of unit sensors to determine whether outdoor air is suitable for free cooling. See Options/Accessories table

### Factory or Field Installed

#### 10 High Performance Economizer

- Downflow or Horizontal with Outdoor Air Hood
- Outdoor Air Hood is included when economizer is factory installed and is furnished with economizer when ordered for field installation

#### 11 Downflow Barometric Relief Dampers with Exhaust Hood is also furnished

- Gear-driven action
- High torque 24-volt fully-modulating spring return damper motor
- Return air and outdoor air dampers
- Plug-in connections to unit
- Stainless steel bearings
- Enhanced neoprene blade edge seals
- Flexible stainless steel jamb seals

**NOTE** - Refer to Installation Instructions for complete setup information.

### Differential Sensible Control

- Factory setting
- Uses outdoor air and return air sensors that are furnished with the unit
- The Prodigy® 2.0 unit controller compares outdoor air temperature with return air
- When the outdoor air is below the configured setpoint and cooler than return air, the controller activates the economizer

**NOTE** - Differential Sensible Control can be configured in the field to provide Offset Differential Sensible Control or Single Sensible Control.

**NOTE** - In Offset Differential Sensible Control mode, the economizer is enabled if the temperature differential (offset) between outdoor air and return air reaches the configured setpoint. In Single Sensible Control mode, the economizer is enabled when outdoor air temperature falls below the configured setpoint.



## OPTIONS / ACCESSORIES

### **ECONOMIZER (continued)**

#### **Global Control**

- The unit controller communicates with a DDC system with one global sensor (enthalpy or sensible)
- Determines whether outside air is suitable for free cooling on all units connected to the control system
- Sensor must be field provided

#### **Factory or Field Installed**

##### **Single Enthalpy Temperature Control (Not for Title 24)**

- Outdoor air enthalpy sensor enables Economizer if the outdoor enthalpy is less than the setpoint of the control

##### **Differential Enthalpy Control (Not for Title 24)**

- Order two Single Enthalpy Controls
- One is field installed in the return air section
- One is installed in the outdoor air section
- Allows the economizer control to select between outdoor air or return air, whichever has lower enthalpy

#### **Field Installed**

##### **Outdoor Air CFM Control**

- Maintains constant outdoor air volume levels on the supply air fan and varying unit airflows
- Velocity sensor located in the rooftop unit outdoor air section, the Prodigy® 2.0 unit controller changes the economizer position to help minimize the effect of supply fan speed changes on outdoor air volume levels
- Setpoint for outdoor air volume is established by field testing

**NOTE** - Not available with Demand Control Ventilation (CO<sub>2</sub> Sensor) or Building Pressure Control.

##### **Building Pressure Control**

- Maintains constant building pressure level
- Includes a static pressure transducer and outdoor static pressure assembly
- Using differential pressure information between the outdoor air and the building air, the Prodigy® 2.0 unit controller changes the economizer position to help maintain a constant building pressure

**NOTE** - Not available with Demand Control Ventilation (CO<sub>2</sub> Sensor) or Outdoor Air CFM Control.

### **EXHAUST**

#### **Factory or Field Installed**

##### **Power Exhaust Fan**

- Installs internal to unit for downflow applications only with economizer option
- Provides exhaust air pressure relief
- Interlocked to run when supply air blower is operating,
- Fan runs when outdoor air dampers are 50% open (adjustable)
- Motor is overload protected
- Fan is 508 mm diameter
- Five blades
- One 0.25 kW motor

**NOTE** - Requires Economizer and Downflow Barometric Relief Dampers

#### **Field Installed**

##### **Horizontal Low Profile Barometric Relief Dampers**

- For use when unit is configured for horizontal applications requiring an economizer
- Allows relief of excess air
- Aluminum blade dampers prevent blow back and outdoor air infiltration during off cycle
- Field installed in return air duct
- Bird screen and hood furnished

**NOTE** - Requires Horizontal Discharge Kit

### **OUTDOOR AIR**

#### **Factory or Field Installed**

##### **Outdoor Air Damper**

- Downflow or Horizontal
- Linked mechanical dampers
- 0 to 25% (fixed) outdoor air adjustable
- Installs in unit
- Includes outdoor air hood
- Automatic model features fully modulating spring return damper motor with plug-in connection
- Manual model features parallel blade, gear-driven dampers with adjustable fixed position

## OPTIONS / ACCESSORIES

### **ROOF CURBS**

#### **Field Installed**

- Nailer strip furnished (downflow only)
- Mates to unit
- US National Roofing Contractors Approved
- Shipped knocked down

#### **Hybrid Roof Curbs, Downflow**

- Interlocking tabs fasten corners together
- No tools required
- Can also be fastened together with furnished hardware
- Available in 203, 356, 457, and 610 mm heights

#### **Adjustable Pitch Curb**

- Fully adjustable pitch curbs (19 mm per 300 mm in any direction) provide a level platform for rooftop units allowing flexible installations on roofs with uneven or sloped angles
- Uses interlocking tabs to fasten corners together
- No tools required
- Hardware is furnished to connect upper curb with lower curb
- Available in 356 mm height

#### **Adaptor Curbs (not shown)**

- Curbs are regionally sourced
- Dimensions vary based upon the source

**NOTE** - Contact your local sales representative for a detailed cut sheet with applicable dimensions.

### **CEILING DIFFUSERS**

#### **Field Installed**

##### **Ceiling Diffusers**

##### **(Flush or Step-Down)**

- White powder coat finish on diffuser face and grilles
- Insulated UL listed duct liner
- Diffuser box has collars for duct connection
- Step-down diffusers have double deflection blades
- Flush diffusers have fixed blades
- Provisions for suspending
- Internally sealed to prevent recirculation
- Removable return air grille
- Adapts to T-bar ceiling grids or plaster ceilings

##### **Transitions (Supply and Return)**

- Used with diffusers
- Installs in roof curb
- Galvanized steel construction
- Flanges furnished for duct connection to diffusers
- Fully insulated

## HUMIDITROL® DEHUMIDIFICATION SYSTEM OPTION

### OVERVIEW

**NOTE** - Not available with Environ™ Coil System.

Conventional Fin/Tube condenser coil must be ordered as a factory option.

- Factory installed option designed to control humidity
- Provides dehumidification on demand using ASHRAE 90.1 recommended method for comfort conditioning humidity control
- Unit comes equipped with one row reheat coil, solenoid valve and humidity controller
- A thermostat with a dehumidification output, a dehumidistat, or a DDC controller with an isolated output is required to control humidity and must be located in the occupied space

### BENEFITS

- Improves indoor air quality
- Helps prevent damage due to high humidity levels
- Improves comfort levels by reducing space humidity levels

### OPERATION

#### No Dehumidification Demand

- The unit will operate conventionally whenever there is a demand for cooling or heating and no dehumidification demand
- Free cooling is only permitted when there is no demand for dehumidification

#### Dehumidification Demand Only

- Dehumidification is initiated by an output from a thermostat with a dehumidification output, a dehumidistat, or a DDC controller with an isolated output to control humidity

**NOTE** - Controls are not furnished and must be ordered separately.

- Reheat operation will initiate on a dehumidification demand and does not require a cooling demand
- The unit will operate in the dehumidification mode until the relative humidity of the conditioned space is below the setpoint
- This reduces sensible cooling capacity and extends compressor run time to control humidity when the cooling load is low
- A solenoid valve diverts hot gas from the compressor to the reheat coil
- The cooled and dehumidified air from the evaporator is reheated as it passes through the reheat coil
- The de-superheated and partially condensed refrigerant continues to the outdoor condenser coil where condensing is completed
- Unit will continue to operate in this mode until the dehumidification demand is satisfied

**NOTE** - See Sequence of Operation for additional information.

#### Dehumidification and Cooling Demand (Thermostat/ Room Sensor Application)

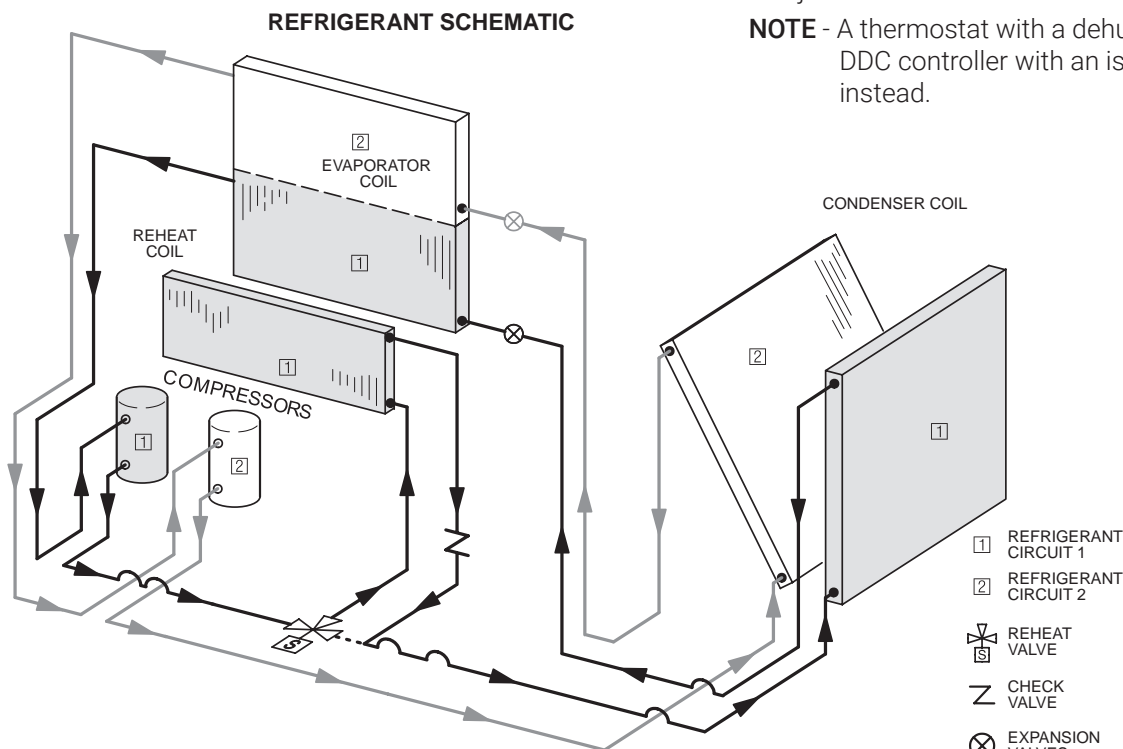
- If both a dehumidification and a full cooling load demand occur, the system will operate in cooling until the cooling demand is satisfied
- Then the system will energize the dehumidification mode

### Options / Accessories

#### Humidity Sensor Kit

- Remote mounted dehumidistat for factory installed Humiditrol® option
- Adjustable 20-80%

**NOTE** - A thermostat with a dehumidification output or a DDC controller with an isolated output can be used instead.



## OPTIONAL CONVENTIONAL TEMPERATURE CONTROL SYSTEMS

### ComfortSense® 8500 Commercial 7 Day Programmable Thermostat



- Fully Communicating Thermostat
- Up to 4 Heat and 4 Cool
- Automatic Changeover between Heating and Cooling Modes
- Designed to maximize Prodigy® Control System Operation
- BACNet Compatible
- Remote Indoor Temperature Sensing (up to nine averaging sensors)
- Intuitive Touchscreen Interface
- Backlit Display
- Relative Humidity Sensor
- Remote Occupancy Sensing
- Outside Air Temperature Display
- Four-Wire Installation
- Scheduled Occupancy Control
- Performance Reports (standalone mode)
- Dehumidification/Humiditrol® Control
- Wallplate Furnished
- ASHRAE and IECC Compliant

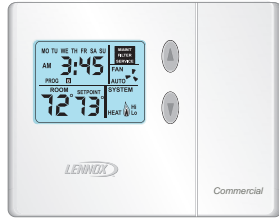
### ComfortSense® 7500 Commercial 7-Day Programmable Thermostat



- Four-Stage Heating / Two-Stage Cooling
- Universal Multi-Stage
- Intuitive Touchscreen Interface
- Automatic Changeover between Heating and Cooling
- Full Seven-Day Programming
- Four Time Periods Per Day
- Temperature and Humidity Control
- One-Touch Away Mode
- Holiday Scheduling
- Smooth Setback Recovery (SSR)
- Performance Reports
- Notifications/Reminders
- Dehumidification/Humiditrol® Control for Split Systems and Rooftop Units
- Economizer Relay Control
- Backlit Display
- Wallplate Furnished
- FDD, ASHRAE and IECC Compliant

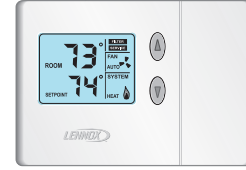
## OPTIONAL CONVENTIONAL TEMPERATURE CONTROL SYSTEMS

### ComfortSense® 3000 Commercial 5-2 Day Programmable Thermostat



- Two-Stage Heating / Two-Stage Cooling
- Conventional Systems
- Intuitive Interface
- 5-2 Day Programming
- Program Hold
- Remote Indoor Temperature Sensing
- Smooth Setback Recovery (SSR)
- Economizer Relay Control
- Maintenance/Filter/Service Reminders
- Backlit Display
- Wallplate Furnished
- Simple Up and Down Temperature Control

### ComfortSense® Non-Programmable Thermostat



- One-Stage Heating / Cooling
- Conventional Systems
- Intuitive Interface
- Manual Changeover
- Backlit Display
- Simple Up and Down Temperature Control

## OPTIONAL CONVENTIONAL TEMPERATURE CONTROL SYSTEMS

Description	Model No.	Catalog No.
<b>ComfortSense® 8500 Commercial 7 Day Programmable Thermostat</b>		
	No CO <sub>2</sub> Sensing	C0STAT03FF2L
	With CO <sub>2</sub> Sensing	C0STAT22FF2L
Sensors/Accessories	<sup>1</sup> Remote non-adjustable wall-mount 10k	C0SNZN73AE1-
	<sup>1</sup> Remote non-adjustable wall-mount 11k	C0SNZN08AE1
	Locking cover (clear)	C0MISC15AE1
<sup>1</sup> Up to nine of the same type remote temperature sensors can be connected in parallel.		
<b>Sysbus Network Cable (Yellow) for ComfortSense 8500</b>		
Twisted pair 100% shielded communication cable, Red and Black	500 ft. box	C0MISC00AE1-
22 AWG, yellow jacket, rated at 75°C, 300V, Plenum rated	1000 ft. box	C0MISC04AE1-
Insulation - Low smoke PVC, NEC, CMP	2500 ft. roll	C0MISC01AE1-
<b>ComfortSense® 7500 Commercial 7-Day Programmable Thermostat</b>		
	C0STAT06FF2L	17G74
Sensors/Accessories	<sup>2</sup> Remote non-adjustable wall-mount 20k	C0SNZN01AE2-
	<sup>2</sup> Remote non-adjustable wall-mount 10k	C0SNZN73AE1-
	Remote non-adjustable discharge air (duct mount)	C0SNDC00AE1-
	Outdoor temperature sensor	C0SNSR03AE1-
	Universal thermostat locking guard (clear)	C0MISC15AE1-
<sup>2</sup> Remote wall-mount sensors can be applied in any of the following combinations: One Sensor - (1) 47W36 Two Sensors - (2) 47W37 Three Sensors - (2) 47W36 and (1) 47W37 Four Sensors - (4) 47W36 Five Sensors - (3) 47W36 and (2) 47W37		
<b>ComfortSense® 3000 Commercial 5-2 Day Programmable Thermostat</b>		
	C0STAT05FF1L	11Y05
Sensors/Accessories	Remote non-adjustable wall mount 10k averaging	C0SNZN73AE1-
	Thermostat wall mounting plate	C0MISC17AE1-
<b>ComfortSense® Non-Programmable Thermostat</b>		
	C0STAT12AE1L	51M32

## OPTIONS / ACCESSORIES

Item Description	Model Number	Catalog Number	Unit Model No			
			092	102	120	150
<b>CE MARK</b>						
CE Marked Unit		Factory	O	O	O	O
<b>COOLING SYSTEM</b>						
Condensate Drain Trap	Polyvinyl Chloride (PVC) - C1TRAP20AD2	<b>76W26</b>	OX	OX	OX	OX
	Copper - C1TRAP10AD2	<b>76W27</b>	OX	OX	OX	OX
Conventional Fin/Tube Condenser Coil (replaces Environ™ Coil System)		Factory	O	O	O	
Corrosion Protection		Factory	O	O	O	O
Drain Pan Overflow Switch	E1SNSR71AD1	<b>68W88</b>	OX	OX	OX	OX
Refrigerant Type		R-410A	O	O	O	O
Service valves (not for Environ™ Coil System or Humiditrol® equipped units)		Factory	O	O	O	O
<b>BLOWER - SUPPLY AIR</b>						
Motors	Belt Drive - 1.5 kW (2 hp)	Factory	O	O	O	O
	Belt Drive - 2.2 kW (3 hp)	Factory	O	O	O	O
	Belt Drive - 3.7 kW (5 hp)	Factory	O	O	O	O
Drive Kits See Blower Data Tables for selection	Kit #1 490 - 740 rev/min	Factory	O	O	O	O
	Kit #2 665 - 920 rev/min	Factory	O	O	O	O
	Kit #3 660 - 995 rev/min	Factory	O	O	O	O
	Kit #7 610 - 810 rev/min	Factory	O	O	O	O
	Kit #8 780 - 1000 rev/min	Factory	O	O	O	O
	Kit #9 845 - 1085 rev/min	Factory	O	O	O	O
	Kit #10 750 - 945 rev/min	Factory	O	O	O	O
	Kit #11 865 - 1095 rev/min	Factory	O	O	O	O
	Kit #12 940 - 1190 rev/min	Factory	O	O	O	O
	Blower Belt Auto-Tensioner	Factory	O	O	O	O
	<b>CABINET</b>					
	Combination Coil/Hail Guards	Furnished Environ™ Coil System - C1GARD52B-1	<b>13T05</b>	X	X	X
Optional Conventional Fin/Tube Condenser Coil - E1GARD51B-1		<b>13T04</b>	X	X	X	
Furnished Conventional Fin/Tube Condenser Coil System - C1GARD52B-1		<b>13T05</b>				X
Horizontal Discharge Kit	K1HECK00B-1	<b>51W25</b>	X	X	X	X
Return Air Adaptor Plate (for LC/LG/LH and TC/TG/TH unit replacement)	C1CONV10B-1	<b>54W96</b>	OX	OX	OX	OX
<b>CONTROLS</b>						
Blower Proving Switch	C1SNSR35FF1	<b>53W65</b>	OX	OX	OX	OX
Commercial Controls	Prodigy® Control System - BACnet® Module - C0CTRL60AE1L	59W51	OX	OX	OX	OX
	Prodigy® Control System - LonTalk® Module - C0CTRL65FF1	<b>54W27</b>	OX	OX	OX	OX
	Novar® LSE	Factory	O	O	O	O
Dirty Filter Switch	E1SNSR55B-1	<b>53W67</b>	OX	OX	OX	OX
General Purpose Control Kit	E1GPBK30C1	<b>13J78</b>	X	X	X	X
Fresh Air Tempering	C1SNSR75AD1	<b>58W63</b>	OX	OX	OX	OX
Smoke Detector - Supply or Return (Power board and one sensor)	C1SNSR44B-2	<b>11K76</b>	OX	OX	OX	OX
Smoke Detector - Supply and Return (Power board and two sensors)	C1SNSR43B-2	<b>11K80</b>	OX	OX	OX	OX

NOTE - Catalog and model numbers shown are for ordering field installed accessories.

OX - Configure To Order (Factory Installed) or Field Installed

O = Configure To Order (Factory Installed)

X = Field Installed

## OPTIONS / ACCESSORIES

Item Description	Model Number	Catalog Number	Unit Model No			
			092	102	120	150
<b>INDOOR AIR QUALITY</b>						
<b>Air Filters</b>						
Healthy Climate® High Efficiency Air Filters 508 x 635 x 51 mm (Order 4 per unit)	MERV 8 - C1FLTR15B-1	<b>50W61</b>	OX	OX	OX	OX
	MERV 13 - C1FLTR40B-1	<b>52W41</b>	OX	OX	OX	OX
Replacement Media Filter With Metal Mesh Frame (includes non-pleated filter media)	C1FLTR30B-1-	<b>Y3063</b>	X	X	X	X
<b>Indoor Air Quality (CO<sub>2</sub>) Sensors</b>						
Sensor - Wall-mount, off-white plastic cover with LCD display	C0SNSR50AE1L	<b>77N39</b>	X	X	X	X
Sensor - Wall-mount, off-white plastic cover, no display	C0SNSR52AE1L	<b>87N53</b>	X	X	X	X
Sensor - Black plastic case with LCD display, rated for plenum mounting	C0SNSR51AE1L	<b>87N52</b>	X	X	X	X
Sensor - Wall-mount, black plastic case, no display, rated for plenum mounting	C0MISC19AE1	<b>87N54</b>	X	X	X	X
CO <sub>2</sub> Sensor Duct Mounting Kit - for downflow applications	C0MISC19AE1-	<b>85L43</b>	X	X	X	X
Aspiration Box - for duct mounting non-plenum rated CO <sub>2</sub> sensors (87N53 or 77N39)	C0MISC16AE1-	<b>90N43</b>	X	X	X	X
<b>UVC Germicidal Lamps</b>						
<sup>1</sup> Healthy Climate® UVC Light Kit (220V-1ph)	C1UVCL10B-1	<b>54W62</b>	OX	OX	OX	OX
<b>HUMIDITROL® CONDENSER REHEAT OPTION</b>						
Humiditrol Dehumidification Option		Factory	O	O	O	O
Humidity Sensor Kit, Remote mounted (required)	COSNSR31AE-1	<b>17M50</b>	X	X	X	X
<b>ELECTRICAL</b>						
Voltage 50 hz with neutral (No neutral on CE marked models)	380/420V - 3 phase	Factory	O	O	O	O
<b><sup>2</sup> ELECTRIC HEAT</b>						
5.7 kW	380/420V-3ph - C1EH0057B-1M	<b>68W04</b>	OX	OX		
11.5 kW	380/420V-3ph - C1EH0115B-1M	<b>68W05</b>	OX	OX	OX	OX
17.2 kW	380/420V-3ph - C1EH0172B-1M	<b>68W06</b>	OX	OX	OX	OX
23 kW	380/420V-3ph - C1EH0230B-1M	<b>68W07</b>	OX	OX	OX	OX
34.5 kW	380/420V-3ph - C1EH0345B-1M	<b>68W08</b>	OX	OX	OX	OX
45.9 kW	380/420V-3ph - C1EH0459B-1M	<b>68W09</b>			OX	OX
<sup>1</sup> Lamps operate on 220V single-phase power supply. Step-down transformer may be ordered separately for 380/420V primary to 220V secondary units. Alternately, 220V power supply may be used to directly power the UVC ballast(s).						
<sup>2</sup> Nominal kW at 420V-3ph-50hz.						
NOTE - Catalog and model numbers shown are for ordering field installed accessories.						
OX - Configure To Order (Factory Installed) or Field Installed						
O = Configure To Order (Factory Installed)						
X = Field Installed						

## OPTIONS / ACCESSORIES

Item Description	Model Number	Catalog Number	Unit Model No			
			092	102	120	150
<b>ECONOMIZER</b>						
<b>High Performance Economizer</b>						
High Performance Economizer Downflow or Horizontal - Includes Outdoor Air Hood and Downflow Barometric Relief Dampers with Exhaust Hood Order Horizontal Barometric Relief Dampers separately	E1ECON17B-2	17U08	OX	OX	OX	OX
Horizontal Barometric Relief Dampers						
Horizontal Low Profile Barometric Relief Dampers (Exhaust hood furnished)	LAGEDH03/15	53K04	X	X	X	X
<b>Economizer Controls</b>						
Differential Enthalpy	Order 2 - C1SNSR64FF1	53W64	OX	OX	OX	OX
Sensible Control	Sensor is Furnished	Factory	O	O	O	O
Single Enthalpy	C1SNSR64FF1	53W64	OX	OX	OX	OX
Building Pressure Control	E1GPBK20C1	13J77	X	X	X	X
Outdoor Air CFM Control	E1GPBK10C1	13J76	X	X	X	X
Global Control	Sensor Field Provided	Factory	O	O	O	O
<b>Horizontal Barometric Relief Dampers With Hood</b>						
Horizontal Barometric Relief Dampers - Hood Furnished	LAGEDH03/15	53K04	X	X	X	X
<b>OUTDOOR AIR</b>						
<b>Outdoor Air Dampers With Outdoor Air Hood</b>						
Motorized	C1DAMP20B-1	14G28	OX	OX	OX	OX
Manual	C1DAMP10B-1	14G29	OX	OX	OX	OX
<b>POWER EXHAUST</b>						
Standard Static	380/420V-3ph - K1PWRE10B-1G	53W45	OX	OX	OX	OX
<b>ROOF CURBS</b>						
<b>Hybrid Roof Curbs, Downflow</b>						
203 mm height	C1CURB70B-1	11F54	X	X	X	X
356 mm height	C1CURB71B-1	11F55	X	X	X	X
457 mm height	C1CURB72B-1	11F56	X	X	X	X
610 mm height	C1CURB73B-1	11F57	X	X	X	X
<b>Adjustable Pitch Curb, Downflow</b>						
356 mm height	C1CURB55B-1	54W50	X	X	X	X
<b>CEILING DIFFUSERS</b>						
Step-Down - Order one	RTD11-95S	13K61	X			
	RTD11-135S	13K62		X	X	
	RTD11-185S	13K63				X
Flush - Order one	FD11-95S	13K56	X			
	FD11-135S	13K57		X	X	
	FD11-185S	13K58				X
Transitions (Supply and Return) - Order one	C1DIFF30B-1	12X65	X			
	C1DIFF31B-1	12X66		X	X	
	C1DIFF32B-1	12X67				X

NOTE - Catalog and model numbers shown are for ordering field installed accessories.

OX - Configure To Order (Factory Installed) or Field Installed

O = Configure To Order (Factory Installed)

X = Field Installed



# SPECIFICATIONS

General Data		Nominal kW (Tons)	26 (7.5)	30 (8.5)	35 (10)	44 (12.5)
Model Number			LCH092H4B	LCH102H4B	LCH120H4B	LCH150H4B
Efficiency Type			High	High	High	High
Blower Type			Constant Air Volume CAV	Constant Air Volume CAV	Constant Air Volume CAV	Constant Air Volume CAV
<b>Cooling Performance</b>	Gross Cooling Capacity - kW (Btuh)		24.6 (84 000)	27.5 (93 900)	32.9 (112 200)	38.1 (130 000)
	<sup>1</sup> Net Cooling Capacity - kW (Btuh)		23.7 (81 000)	26.4 (90 100)	31.7 (108 200)	36.1 (123 300)
	AHRI Rated Air Flow - L/s (cfm)		1416 (3000)	1605 (3400)	1700 (3600)	1864 (3950)
	Total Unit Power - kW		6.6	7.2	8.9	11.0
	<sup>1</sup> EER (Btuh/Watt) at 35°C (95°F)		12.9	12.6	12.4	11.2
	<sup>2</sup> EER (Btuh/Watt) at 46°C (115°F)		8.8	8.5	8.6	7.7
	<sup>3</sup> IEER (Btuh/Watt)		12.9	12.9	12.7	12.4
	Refrigerant Type		R-410A	R-410A	R-410A	R-410A
<b>Refrigerant Charge</b>	Environ™ Coil System	Circuit 1	2.90 kg (6 lbs. 6 oz.)	2.96 kg (6 lbs. 8 oz.)	3.18 kg (7 lbs. 0 oz.)	---
		Circuit 2	2.93 kg (6 lbs. 7 oz.)	3.07 kg (6 lbs. 12 oz.)	3.40 kg (6 lbs. 12 oz.)	---
	Environ™ Coil System With Humiditrol®	Circuit 1	2.90 kg (6 lbs. 6 oz.)	2.96 kg (6 lbs. 8 oz.)	3.18 kg (7 lbs. 0 oz.)	---
		Circuit 2	2.92 kg (6 lbs. 7 oz.)	3.07 kg (6 lbs. 12 oz.)	3.40 kg (6 lbs. 12 oz.)	---
	Conventional Fin/Tube Coil Option	Circuit 1	6.12 kg (13 lbs. 8 oz.)	6.12 kg (13 lbs. 8 oz.)	6.58 kg (14 lbs. 8 oz.)	6.35 kg (14 lbs. 0 oz.)
		Circuit 2	5.68 kg (12 lbs. 8 oz.)	5.68 kg (12 lbs. 8 oz.)	6.12 kg (13 lbs. 8 oz.)	6.12 kg (13 lbs. 8 oz.)
Conventional Fin/Tube With Humiditrol®	Circuit 1	7.71 kg (17 lbs. 0 oz.)	7.71 kg (17 lbs. 0 oz.)	7.94 kg (17 lbs. 8 oz.)	6.52 kg (14 lbs. 6 oz.)	
	Circuit 2	5.68 kg (12 lbs. 8 oz.)	5.68 kg (12 lbs. 8 oz.)	6.12 kg (13 lbs. 8 oz.)	6.12 kg (13 lbs. 8 oz.)	
<b>Electric Heat Available - See page 13</b>			5.7, 11.5, 17.2, 23, 34.5 kW		11.5, 17.2, 23, 34.5, 45.9 kW	
<b>Compressor Type (number)</b>			Scroll (2)		Scroll (2)	
<b>Outdoor Coil (Fin/Tube)</b>	Net face area (total) - m <sup>2</sup> (sq. ft.)		2.60 (28.0) / 2.72 (29.33)	2.60 (28.0) / 2.72 (29.33)	2.60 (28.0) / 2.72 (29.33)	--- (2.6 (28.0))
		Number of rows	1 (3)	1 (3)	1 (3)	--- (3)
	Fins per m (Fins per inch)	787 (20)	787 (20)	787 (20)	787 (20)	
<b>Outdoor Coil Fans</b>	Motor - (No.) W (hp)	(2) 249 (1/3)	(2) 249 (1/3)	(2) 249 (1/3)	(2) 373 (1/2)	
	Motor rev/min	896	896	896	1075	
	Total Motor watts	554	554	554	802	
	Diameter - (No.) mm (in.)	(2) 610 (24)	(2) 610 (24)	(2) 610 (24)	(2) 610 (24)	
	Number of blades	3	3	3	3	
	Total Air volume - L/s (cfm)	3145 (6665)	3145 (6665)	3145 (6665)	3815 (8085)	
<b>Indoor Coils</b>	Net face area (total) - m <sup>2</sup> (sq. ft.)	1.19 (12.78)	1.19 (12.78)	1.26 (13.54)	1.26 (13.54)	
	Tube diameter - mm (in.)	9.5 (3/8)	9.5 (3/8)	9.5 (3/8)	9.5 (3/8)	
	Number of rows	2	2	3	4	
	Fins per m (Fins per inch)	551 (14)	551 (14)	551 (14)	551 (14)	
	Drain connection - Number and size	(1) 1 in. NPT coupling				
Expansion device type		Balance port TXV, removable head				
<b><sup>4</sup> Indoor Blower and Drive Selection</b>	Nominal motor kW (HP)	1.5 (2)	1.5 (2)	1.5 (2)	1.5 (2)	
	Maximum usable motor kW (HP)	1.7 (2.3)	1.7 (2.3)	1.7 (2.3)	1.7 (2.3)	
	Kit # (rev/min range)	#1 (490-740)	#1 (490-740)	#1 (490-740)	#1 (490-740)	
		#2 (665-920)	#2 (665-920)	#2 (665-920)	#2 (665-920)	
		#3 (660-995)	#3 (660-995)	#3 (660-995)	#3 (660-995)	
	Nominal motor kW (HP)	2.2 (3)	2.2 (3)	2.2 (3)	2.2 (3)	
	Maximum usable motor kW (HP)	2.6 (3.45)	2.6 (3.45)	2.6 (3.45)	2.6 (3.45)	
	Kit # (rev/min range)	#7 (610-810)	#7 (610-810)	#7 (610-810)	#7 (610-810)	
		#8 (780-1000)	#8 (780-1000)	#8 (780-1000)	#8 (780-1000)	
		#9 (845-1085)	#9 (845-1085)	#9 (845-1085)	#9 (845-1085)	
	Nominal motor kW (HP)	3.7 (5)	3.7 (5)	3.7 (5)	3.7 (5)	
	Maximum usable motor kW (HP)	4.3 (5.75)	4.3 (5.75)	4.3 (5.75)	4.3 (5.75)	
Kit # (rev/min range)	#10 (750-945)	#10 (750-945)	#10 (750-945)	#10 (750-945)		
	#11 (865-1095)	#11 (865-1095)	#11 (865-1095)	#11 (865-1095)		
	#12 (940-1190)	#12 (940-1190)	#12 (940-1190)	#12 (940-1190)		
Blower wheel nominal diameter x width - mm (in.)		(1) 381 x 381 (15 X 15)	(1) 381 x 381 (15 X 15)	(1) 381 x 381 (15 X 15)	(1) 381 x 381 (15 X 15)	
<b>Filters</b>	Type of filter	Disposable				
	Number and size - mm (in.)	(4) 508 x 508 x 51 (20 x 25 x 2)				
<b>Electrical characteristics</b>			380/420V - 50 hertz - 3 phase with neutral (No neutral on CE marked models)			

NOTE - Net capacity includes evaporator blower motor heat deduction. Gross capacity does not include evaporator blower motor heat deduction.

<sup>1</sup> Tested at conditions included in the USE certification program, which is based on AHRI Standard 340/360; 35°C (95°F) outdoor air temperature and 27°C (80°F) dry bulb /19°C (67°F) wet bulb entering evaporator air; minimum external duct static pressure while operating at rated voltage and air volumes.

<sup>2</sup> Rated at 46°C (115°F) outdoor air temperature and 27°C (80°F) db/19°C (67°F) wb entering evaporator air (T3 Conditions).

<sup>3</sup> Integrated Energy Efficiency Ratio tested at conditions included in AHRI Standard 340/360 while operating at rated voltage and air volumes.

<sup>4</sup> Using total air volume and system static pressure requirements determine from blower performance tables rev/min and motor output required. Maximum usable output of motors furnished are shown. If motors of comparable output are used, be sure to keep within the service factor limitations outlined on the motor nameplate.

# RATINGS

NOTE - For Temperatures and Capacities not shown in tables, see bulletin - Cooling Unit Rating Table Correction Factor Data in Miscellaneous Engineering Data section.

## 26 KW LCH092H4B (1ST STAGE)

Entering Wet Bulb Temperature	Total Air Volume	Outdoor Air Temperature Entering Outdoor Coil																							
		18.3°C						23.9°C						29.4°C						35°C					
		Total Cool Cap.	Comp. Motor Input	Sensible To Total Ratio (S/T)			Total Cool Cap.	Comp. Motor Input	Sensible To Total Ratio (S/T)			Total Cool Cap.	Comp. Motor Input	Sensible To Total Ratio (S/T)			Total Cool Cap.	Comp. Motor Input	Sensible To Total Ratio (S/T)						
				Dry Bulb					Dry Bulb					Dry Bulb					Dry Bulb						
L/s	kW	kW	24°C	27°C	29°C	kW	kW	24°C	27°C	29°C	kW	kW	24°C	27°C	29°C	kW	kW	24°C	27°C	29°C					
17.2°C	1135	12.4	1.62	0.7	0.85	1	11.9	1.83	0.71	0.87	1	11.3	2.06	0.72	0.89	1	10.6	2.33	0.74	0.93	1				
	1415	13	1.62	0.76	0.95	1	12.5	1.83	0.77	0.98	1	11.8	2.07	0.78	1	1	11.2	2.33	0.81	1	1				
	1700	13.6	1.63	0.81	1	1	13	1.84	0.84	1	1	12.5	2.07	0.86	1	1	11.8	2.33	0.9	1	1				
19.4°C	1135	13.2	1.62	0.55	0.68	0.81	12.6	1.83	0.56	0.69	0.83	12	2.07	0.56	0.7	0.85	11.3	2.33	0.56	0.72	0.89				
	1415	13.8	1.63	0.59	0.74	0.91	13.2	1.84	0.6	0.75	0.94	12.5	2.07	0.6	0.76	0.97	11.8	2.33	0.61	0.78	1				
	1700	14.2	1.63	0.61	0.79	1	13.6	1.84	0.63	0.81	1	12.9	2.07	0.63	0.84	1	12.1	2.33	0.65	0.87	1				
21.7°C	1135	13.9	1.63	0.41	0.53	0.66	13.3	1.84	0.42	0.53	0.67	12.7	2.07	0.42	0.55	0.68	12	2.33	0.42	0.56	0.7				
	1415	14.5	1.63	0.43	0.57	0.72	13.9	1.84	0.44	0.59	0.73	13.2	2.07	0.44	0.59	0.74	12.5	2.33	0.43	0.6	0.76				
	1700	15	1.64	0.45	0.61	0.77	14.3	1.85	0.44	0.62	0.79	13.5	2.08	0.45	0.63	0.82	12.8	2.34	0.45	0.64	0.84				

## 26 KW LCH092H4B (2ND STAGE)

Entering Wet Bulb Temperature	Total Air Volume	Outdoor Air Temperature Entering Outdoor Coil																							
		26.7°C						35°C						43.3°C						46°C					
		Total Cool Cap.	Comp. Motor Input	Sensible To Total Ratio (S/T)			Total Cool Cap.	Comp. Motor Input	Sensible To Total Ratio (S/T)			Total Cool Cap.	Comp. Motor Input	Sensible To Total Ratio (S/T)			Total Cool Cap.	Comp. Motor Input	Sensible To Total Ratio (S/T)						
				Dry Bulb					Dry Bulb					Dry Bulb					Dry Bulb						
L/s	kW	kW	24°C	27°C	29°C	kW	kW	24°C	27°C	29°C	kW	kW	24°C	27°C	29°C	kW	kW	24°C	27°C	29°C					
17.2°C	1135	23.2	3.89	0.72	0.88	1	21.3	4.66	0.74	0.93	1	19.3	5.61	0.76	0.98	1	18.8	5.97	.82	1.00	1.00				
	1415	24.3	3.89	0.78	0.99	1	22.5	4.66	0.81	1	1	20.6	5.62	0.86	1	1	20.1	5.96	.91	1.00	1.00				
	1700	25.5	3.9	0.85	1	1	23.7	4.67	0.9	1	1	21.6	5.62	0.96	1	1	21.1	5.96	.99	1.00	1.00				
19.4°C	1135	24.6	3.9	0.55	0.69	0.84	22.6	4.66	0.57	0.72	0.89	20.5	5.61	0.58	0.74	0.94	19.8	5.96	.61	.81	.94				
	1415	25.7	3.9	0.6	0.76	0.95	23.6	4.67	0.61	0.78	0.99	21.3	5.62	0.62	0.83	1	20.6	5.96	.67	.90	1.00				
	1700	26.4	3.91	0.63	0.83	1	24.3	4.67	0.65	0.87	1	22	5.62	0.68	0.94	1	21.2	5.97	.73	.99	1.00				
21.7°C	1135	26	3.91	0.41	0.53	0.67	24	4.67	0.42	0.56	0.7	21.8	5.62	0.42	0.57	0.72	21.0	5.96	.43	.61	.73				
	1415	27.1	3.91	0.43	0.59	0.74	24.9	4.67	0.43	0.6	0.76	22.6	5.62	0.44	0.62	0.8	21.9	5.96	.45	.67	.82				
	1700	27.9	3.92	0.45	0.62	0.8	25.6	4.68	0.45	0.64	0.84	23.2	5.62	0.46	0.68	0.91	22.4	5.96	.48	.74	.91				

Entering Wet Bulb Temperature	Total Air Volume	Outdoor Air Temperature Entering Outdoor Coil																	
		48°C						50°C						51.7°C					
		Total Cool Cap.	Comp. Motor Input	Sensible To Total Ratio (S/T)			Total Cool Cap.	Comp. Motor Input	Sensible To Total Ratio (S/T)			Total Cool Cap.	Comp. Motor Input	Sensible To Total Ratio (S/T)					
				Dry Bulb					Dry Bulb					Dry Bulb					
L/s	kW	kW	24°C	27°C	29°C	kW	kW	24°C	27°C	29°C	kW	kW	24°C	27°C	29°C				
17.2°C	1135	18.2	6.25	0.78	1	1	17.7	6.55	0.80	1	1	17.3	6.81	0.81	1	1			
	1415	19.5	6.25	0.90	1	1	18.9	6.54	0.92	1	1	18.4	6.8	0.94	1	1			
	1700	20.4	6.25	0.99	1	1	19.8	6.54	1.00	1	1	19.4	6.8	1	1	1			
19.4°C	1135	19.2	6.25	0.59	0.76	0.98	18.7	6.55	0.59	0.77	0.99	18.2	6.81	0.6	0.79	1			
	1415	20.0	6.25	0.64	0.87	1	19.4	6.54	0.65	0.89	1	18.9	6.8	0.66	0.91	1			
	1700	20.5	6.25	0.70	0.98	1	19.9	6.54	0.71	0.99	1	19.4	6.8	0.71	1	1			
21.7°C	1135	20.4	6.25	0.42	0.58	0.74	19.8	6.54	0.42	0.58	0.75	19.3	6.8	0.42	0.59	0.76			
	1415	21.2	6.24	0.44	0.63	0.84	20.6	6.54	0.44	0.65	0.86	20	6.79	0.45	0.66	0.88			
	1700	21.7	6.24	0.47	0.69	0.95	21.1	6.54	0.47	0.70	0.97	20.5	6.79	0.47	0.71	0.99			

# RATINGS

NOTE - For Temperatures and Capacities not shown in tables, see bulletin - Cooling Unit Rating Table Correction Factor Data in Miscellaneous Engineering Data section.

## 30 KW - LCH102H4B (1ST STAGE)

Entering Wet Bulb Temperature	Total Air Volume	Outdoor Air Temperature Entering Outdoor Coil																			
		18.3°C					23.9°C					29.4°C					35°C				
		Total Cool Cap.	Comp. Motor Input	Sensible To Total Ratio (S/T)			Total Cool Cap.	Comp. Motor Input	Sensible To Total Ratio (S/T)			Total Cool Cap.	Comp. Motor Input	Sensible To Total Ratio (S/T)			Total Cool Cap.	Comp. Motor Input	Sensible To Total Ratio (S/T)		
				Dry Bulb					Dry Bulb					Dry Bulb					Dry Bulb		
L/s	kW	kW	24°C	27°C	29°C	kW	kW	24°C	27°C	29°C	kW	kW	24°C	27°C	29°C	kW	kW	24°C	27°C	29°C	
17.2°C	1285	13.8	1.79	0.64	0.82	1	13	2.03	0.65	0.85	1	12.2	2.29	0.66	0.89	1	11.3	2.59	0.67	0.93	1
	1605	14.5	1.8	0.7	0.97	1	13.7	2.04	0.71	0.99	1	12.9	2.3	0.72	1	1	12.1	2.6	0.76	1	1
	1925	15.2	1.81	0.77	1	1	14.4	2.04	0.79	1	1	13.6	2.3	0.83	1	1	12.8	2.6	0.88	1	1
19.4°C	1285	14.7	1.8	0.5	0.63	0.77	13.9	2.04	0.5	0.63	0.79	13.1	2.3	0.51	0.65	0.83	12.1	2.6	0.51	0.66	0.87
	1605	15.4	1.81	0.54	0.68	0.91	14.5	2.04	0.54	0.69	0.95	13.6	2.3	0.54	0.7	0.98	12.7	2.6	0.55	0.72	1
	1925	15.9	1.81	0.56	0.74	1	15	2.05	0.57	0.77	1	14.1	2.31	0.57	0.8	1	13.1	2.6	0.59	0.86	1
21.7°C	1285	15.6	1.81	0.38	0.49	0.61	14.7	2.04	0.37	0.49	0.61	13.9	2.3	0.37	0.5	0.63	13	2.6	0.37	0.5	0.64
	1605	16.3	1.82	0.4	0.53	0.66	15.4	2.05	0.39	0.54	0.68	14.5	2.31	0.38	0.54	0.68	13.5	2.6	0.38	0.55	0.71
	1925	16.8	1.82	0.41	0.56	0.71	15.9	2.05	0.41	0.57	0.74	14.9	2.31	0.4	0.58	0.76	13.9	2.61	0.4	0.58	0.82

## 30 KW - LCH102H4B (2ND STAGE)

Entering Wet Bulb Temperature	Total Air Volume	Outdoor Air Temperature Entering Outdoor Coil																			
		26.7°C					35°C					43.3°C					46°C				
		Total Cool Cap.	Comp. Motor Input	Sensible To Total Ratio (S/T)			Total Cool Cap.	Comp. Motor Input	Sensible To Total Ratio (S/T)			Total Cool Cap.	Comp. Motor Input	Sensible To Total Ratio (S/T)			Total Cool Cap.	Comp. Motor Input	Sensible To Total Ratio (S/T)		
				Dry Bulb					Dry Bulb					Dry Bulb					Dry Bulb		
L/s	kW	kW	24°C	27°C	29°C	kW	kW	24°C	27°C	29°C	kW	kW	24°C	27°C	29°C	kW	kW	24°C	27°C	29°C	
17.2°C	1285	26.1	4.32	0.73	0.91	1	23.5	5.19	0.75	0.95	1	20.7	6.27	0.77	1	1	20.4	6.89	.81	1.00	1.00
	1605	27.5	4.33	0.79	1	1	25.1	5.2	0.83	1	1	22.4	6.27	0.88	1	1	22.1	6.86	.92	1.00	1.00
	1925	29	4.34	0.87	1	1	26.4	5.2	0.92	1	1	23.7	6.28	0.98	1	1	23.4	6.83	1.00	1.00	1.00
19.4°C	1285	27.9	4.33	0.57	0.71	0.87	25.2	5.2	0.57	0.73	0.91	22.2	6.27	0.57	0.75	0.96	21.7	6.87	.59	.81	.95
	1605	29.1	4.34	0.61	0.78	0.98	26.3	5.2	0.61	0.8	1	23.2	6.27	0.62	0.85	1	22.7	6.84	.65	.91	1.00
	1925	30	4.35	0.64	0.85	1	27.1	5.21	0.66	0.9	1	24	6.28	0.68	0.96	1	23.4	6.82	.72	1.00	1.00
21.7°C	1285	29.6	4.34	0.41	0.56	0.69	26.8	5.21	0.41	0.56	0.71	23.8	6.27	0.39	0.56	0.73	23.4	6.83	.40	.59	.73
	1605	30.9	4.35	0.43	0.6	0.76	28	5.21	0.42	0.61	0.79	24.8	6.27	0.42	0.62	0.82	24.4	6.81	.43	.66	.82
	1925	31.9	4.36	0.45	0.64	0.83	28.8	5.22	0.45	0.65	0.87	25.6	6.28	0.45	0.68	0.94	25.1	6.80	.46	.73	.91

Entering Wet Bulb Temperature	Total Air Volume	Outdoor Air Temperature Entering Outdoor Coil																	
		48°C					50°C					51.7°C							
		Total Cool Cap.	Comp. Motor Input	Sensible To Total Ratio (S/T)			Total Cool Cap.	Comp. Motor Input	Sensible To Total Ratio (S/T)			Total Cool Cap.	Comp. Motor Input	Sensible To Total Ratio (S/T)					
				Dry Bulb					Dry Bulb					Dry Bulb					
L/s	kW	kW	24°C	27°C	29°C	kW	kW	24°C	27°C	29°C	kW	kW	24°C	27°C	29°C				
17.2°C	1285	19.5	7.25	0.79	1	1	18.8	7.65	0.80	1	1	18.1	7.63	0.82	1	1			
	1605	21.2	7.20	0.91	1	1	20.5	7.58	0.93	1	1	19.5	7.61	0.96	1	1			
	1925	22.5	7.18	1	1	1	21.7	7.55	1.00	1	1	20.7	7.62	1	1	1			
19.4°C	1285	20.9	7.23	0.57	0.76	0.99	20.1	7.61	0.57	0.78	1.00	19.1	7.62	0.58	0.8	1			
	1605	21.9	7.19	0.63	0.88	1.00	21.1	7.58	0.64	0.90	1.00	20	7.62	0.65	0.93	1			
	1925	22.6	7.18	0.69	0.98	1.00	21.7	7.53	0.70	1.00	1.00	20.6	7.61	0.71	1	1			
21.7°C	1285	22.5	7.18	0.38	0.56	0.74	21.7	7.56	0.37	0.57	0.75	20.5	7.61	0.38	0.58	0.78			
	1605	23.5	7.16	0.41	0.62	0.85	22.7	7.51	0.40	0.63	0.87	21.5	7.61	0.41	0.65	0.9			
	1925	24.2	7.16	0.44	0.69	0.96	23.4	7.52	0.44	0.70	0.98	22	7.61	0.44	0.72	1			

# RATINGS

NOTE - For Temperatures and Capacities not shown in tables, see bulletin - Cooling Unit Rating Table Correction Factor Data in Miscellaneous Engineering Data section.

## 35 KW LCH120H4B (1ST STAGE)

Entering Wet Bulb Temperature	Total Air Volume	Outdoor Air Temperature Entering Outdoor Coil																							
		18.3°C						23.9°C						29.4°C						35°C					
		Total Cool Cap.	Comp. Motor Input	Sensible To Total Ratio (S/T)			Total Cool Cap.	Comp. Motor Input	Sensible To Total Ratio (S/T)			Total Cool Cap.	Comp. Motor Input	Sensible To Total Ratio (S/T)			Total Cool Cap.	Comp. Motor Input	Sensible To Total Ratio (S/T)						
				Dry Bulb					Dry Bulb					Dry Bulb					Dry Bulb						
L/s	kW	kW	24°C	27°C	29°C	kW	kW	24°C	27°C	29°C	kW	kW	24°C	27°C	29°C	kW	kW	24°C	27°C	29°C					
17.2°C	1510	17.5	2.32	0.69	0.85	1	16.6	2.63	0.7	0.87	1	15.7	2.99	0.71	0.89	1	14.7	3.39	0.73	0.93	1				
	1890	18.3	2.34	0.75	0.95	1	17.4	2.65	0.76	0.98	1	16.5	3	0.78	1	1	15.6	3.4	0.8	1	1				
	2265	19	2.36	0.81	1	1	18.2	2.68	0.82	1	1	17.3	3.03	0.85	1	1	16.4	3.43	0.88	1	1				
19.4°C	1510	18.5	2.34	0.55	0.67	0.81	17.6	2.66	0.55	0.68	0.83	16.7	3	0.55	0.69	0.85	15.7	3.41	0.56	0.71	0.88				
	1890	19.4	2.37	0.58	0.73	0.91	18.4	2.69	0.59	0.74	0.94	17.5	3.03	0.59	0.76	0.97	16.4	3.43	0.6	0.77	0.99				
	2265	20	2.38	0.61	0.79	0.99	19	2.7	0.62	0.8	1	18	3.05	0.63	0.83	1	16.9	3.44	0.63	0.86	1				
21.7°C	1510	19.6	2.37	0.41	0.54	0.65	18.7	2.69	0.39	0.54	0.66	17.7	3.04	0.41	0.54	0.67	16.7	3.44	0.4	0.55	0.69				
	1890	20.5	2.4	0.43	0.57	0.71	19.5	2.72	0.43	0.58	0.73	18.5	3.07	0.42	0.59	0.74	17.4	3.46	0.43	0.59	0.75				
	2265	21.1	2.42	0.45	0.61	0.77	20.1	2.74	0.44	0.61	0.78	19	3.09	0.44	0.62	0.8	17.9	3.48	0.44	0.63	0.83				

## 35 KW - LCH120H4B (2ND STAGE)

Entering Wet Bulb Temperature	Total Air Volume	Outdoor Air Temperature Entering Outdoor Coil																							
		26.7°C						35°C						43.3°C						46°C					
		Total Cool Cap.	Comp. Motor Input	Sensible To Total Ratio (S/T)			Total Cool Cap.	Comp. Motor Input	Sensible To Total Ratio (S/T)			Total Cool Cap.	Comp. Motor Input	Sensible To Total Ratio (S/T)			Total Cool Cap.	Comp. Motor Input	Sensible To Total Ratio (S/T)						
				Dry Bulb					Dry Bulb					Dry Bulb					Dry Bulb						
L/s	kW	kW	24°C	27°C	29°C	kW	kW	24°C	27°C	29°C	kW	kW	24°C	27°C	29°C	kW	kW	24°C	27°C	29°C					
17.2°C	1510	32.3	5.61	0.71	0.88	1	29.5	6.8	0.73	0.93	1	26.4	8.29	0.75	0.98	1	24.8	8.44	.82	1.00	1.00				
	1890	33.9	5.65	0.77	0.99	1	31	6.82	0.79	1	1	28.2	8.3	0.84	1	1	26.7	8.52	.92	1.00	1.00				
	2265	35.4	5.7	0.84	1	1	32.8	6.87	0.88	1	1	29.7	8.31	0.95	1	1	28.1	8.57	1.00	1.00	1.00				
19.4°C	1510	34.3	5.67	0.55	0.69	0.84	31.4	6.84	0.56	0.71	0.88	28.2	8.28	0.56	0.73	0.94	26.2	8.49	.60	.82	.96				
	1890	35.9	5.72	0.59	0.75	0.95	32.7	6.86	0.6	0.77	0.99	29.4	8.31	0.61	0.82	1	27.3	8.54	.66	.91	1.00				
	2265	36.9	5.75	0.62	0.81	1	33.7	6.89	0.63	0.86	1	30.3	8.34	0.66	0.92	1	28.1	8.57	.73	1.00	1.00				
21.7°C	1510	36.3	5.72	0.39	0.54	0.67	33.4	6.88	0.4	0.55	0.69	30.1	8.32	0.4	0.56	0.71	28.0	8.57	.41	.61	.74				
	1890	37.9	5.78	0.42	0.58	0.73	34.8	6.93	0.43	0.59	0.75	31.3	8.36	0.41	0.61	0.79	29.1	8.61	.44	.67	.83				
	2265	39	5.82	0.44	0.62	0.79	35.8	6.96	0.44	0.63	0.84	32.2	8.37	0.44	0.65	0.89	29.9	8.65	.47	.74	.91				

Entering Wet Bulb Temperature	Total Air Volume	Outdoor Air Temperature Entering Outdoor Coil																	
		48°C						50°C						51.7°C					
		Total Cool Cap.	Comp. Motor Input	Sensible To Total Ratio (S/T)			Total Cool Cap.	Comp. Motor Input	Sensible To Total Ratio (S/T)			Total Cool Cap.	Comp. Motor Input	Sensible To Total Ratio (S/T)					
				Dry Bulb					Dry Bulb					Dry Bulb					
L/s	kW	kW	24°C	27°C	29°C	kW	kW	24°C	27°C	29°C	kW	kW	24°C	27°C	29°C				
17.2°C	1510	24.5	9.29	0.77	1	1	23.7	9.76	0.78	1	1	23.1	10.2	0.79	1	1			
	1890	26.5	9.28	0.88	1	1	25.6	9.77	0.90	1	1	24.9	10.14	0.92	1	1			
	2265	27.8	9.30	0.99	1	1	27.0	9.76	1	1	1	26.3	10.15	1	1	1			
19.4°C	1510	26.2	9.27	0.57	0.75	0.97	25.3	9.77	0.57	0.75	0.99	24.6	10.2	0.57	0.76	1			
	1890	27.4	9.28	0.62	0.85	1.00	26.4	9.76	0.62	0.87	1.00	25.6	10.18	0.63	0.89	1			
	2265	28.2	9.31	0.67	0.96	1.00	27.3	9.75	0.68	0.98	1.00	26.4	10.16	0.69	0.99	1			
21.7°C	1510	28.1	9.31	0.39	0.56	0.73	27.1	9.75	0.39	0.56	0.73	26.3	10.17	0.39	0.57	0.74			
	1890	29.2	9.29	0.41	0.61	0.82	28.2	9.74	0.41	0.62	0.84	27.4	10.16	0.41	0.62	0.86			
	2265	30.1	9.34	0.44	0.67	0.94	29.1	9.79	0.44	0.68	0.96	28.2	10.18	0.44	0.69	0.97			

# RATINGS

NOTE - For Temperatures and Capacities not shown in tables, see bulletin - Cooling Unit Rating Table Correction Factor Data in Miscellaneous Engineering Data section.

## 44 kW - LCH150H4B (1ST STAGE)

Entering Wet Bulb Temperature	Total Air Volume	Outdoor Air Temperature Entering Outdoor Coil																			
		18.3°C					23.8°C					29.4°C					35°C				
		Total Cool Cap.	Comp. Motor Input	Sensible To Total Ratio (S/T)			Total Cool Cap.	Comp. Motor Input	Sensible To Total Ratio (S/T)			Total Cool Cap.	Comp. Motor Input	Sensible To Total Ratio (S/T)			Total Cool Cap.	Comp. Motor Input	Sensible To Total Ratio (S/T)		
				Dry Bulb					Dry Bulb					Dry Bulb					Dry Bulb		
L/s	kW	kW	24°C	27°C	29°C	kW	kW	24°C	27°C	29°C	kW	kW	24°C	27°C	29°C	kW	kW	24°C	27°C	29°C	
17.2°C	1793	19.8	2.85	0.71	0.86	1.00	18.5	3.16	0.71	0.88	1.00	17.2	3.49	0.72	0.91	1.00	15.7	3.87	0.72	0.93	1.00
	2077	20.5	2.86	0.74	0.93	1.00	19.3	3.17	0.75	0.94	1.00	17.9	3.50	0.76	0.97	1.00	16.5	3.88	0.78	1.00	1.00
	2360	21.2	2.87	0.78	0.98	1.00	19.9	3.17	0.79	1.00	1.00	18.5	3.51	0.81	1.00	1.00	17.2	3.88	0.83	1.00	1.00
19.4°C	1793	21.3	2.87	0.55	0.68	0.83	20.0	3.17	0.54	0.69	0.84	18.6	3.51	0.54	0.70	0.86	17.1	3.88	0.53	0.70	0.88
	2077	22.0	2.88	0.57	0.72	0.89	20.7	3.18	0.57	0.73	0.91	19.3	3.52	0.57	0.74	0.93	17.7	3.88	0.57	0.75	0.96
	2360	22.7	2.89	0.60	0.76	0.94	21.3	3.19	0.60	0.77	0.97	19.8	3.52	0.60	0.79	0.99	18.3	3.89	0.60	0.80	1.00
21.7°C	1793	22.7	2.89	0.42	0.55	0.67	21.4	3.19	0.40	0.54	0.67	20.0	3.52	0.39	0.53	0.67	18.5	3.89	0.38	0.53	0.68
	2077	23.6	2.90	0.42	0.57	0.70	22.2	3.20	0.42	0.57	0.71	20.7	3.53	0.40	0.56	0.71	19.1	3.90	0.39	0.56	0.73
	2360	24.1	2.91	0.44	0.59	0.73	22.8	3.21	0.43	0.59	0.75	21.2	3.54	0.42	0.59	0.76	19.7	3.91	0.41	0.60	0.78

## 44 kW - LCH150H4B (2ND STAGE)

Entering Wet Bulb Temperature	Total Air Volume	Outdoor Air Temperature Entering Outdoor Coil																			
		29.4°C					35°C					43.3°C					46°C				
		Total Cool Cap.	Comp. Motor Input	Sensible To Total Ratio (S/T)			Total Cool Cap.	Comp. Motor Input	Sensible To Total Ratio (S/T)			Total Cool Cap.	Comp. Motor Input	Sensible To Total Ratio (S/T)			Total Cool Cap.	Comp. Motor Input	Sensible To Total Ratio (S/T)		
				Dry Bulb					Dry Bulb					Dry Bulb					Dry Bulb		
L/s	kW	kW	24°C	27°C	29°C	kW	kW	24°C	27°C	29°C	kW	kW	24°C	27°C	29°C	kW	kW	24°C	27°C	29°C	
17.2°C	1795	37.7	7.59	.73	.90	1.00	34.6	8.42	.74	.92	1.00	29.9	9.86	.78	.99	1.00	28.4	10.39	.79	1.00	1.00
	2075	39.2	7.61	.78	.96	1.00	36.1	8.45	.79	.99	1.00	31.7	9.89	.83	1.00	1.00	30.3	10.43	.85	1.00	1.00
	2360	40.5	7.64	.82	1.00	1.00	37.6	8.47	.84	1.00	1.00	33.4	9.92	.89	1.00	1.00	31.9	10.44	.91	1.00	1.00
19.4°C	1795	40.6	7.63	.55	.71	.86	37.5	8.46	.55	.72	.88	32.6	9.91	.56	.77	.91	30.9	10.43	.56	.78	.93
	2075	42.1	7.66	.58	.75	.92	38.8	8.49	.58	.77	.95	33.8	9.93	.60	.83	.98	32.0	10.45	.60	.84	.99
	2360	43.3	7.69	.61	.80	.98	40.0	8.51	.61	.81	1.00	34.8	9.94	.63	.89	1.00	32.9	10.47	.64	.90	1.00
21.7°C	1795	43.6	7.68	.40	.55	.69	40.4	8.51	.39	.54	.70	35.5	9.96	.37	.56	.69	33.7	10.48	.36	.56	.70
	2075	45.0	7.71	.42	.58	.73	41.7	8.54	.40	.58	.75	36.7	9.98	.39	.61	.75	34.9	10.50	.38	.61	.75
	2360	46.2	7.73	.43	.61	.77	42.9	8.56	.42	.61	.79	37.7	10.00	.41	.64	.79	35.9	10.53	.40	.65	.81

Entering Wet Bulb Temperature	Total Air Volume	Outdoor Air Temperature Entering Outdoor Coil																	
		48°C					50°C					51.7°C							
		Total Cool Cap.	Comp. Motor Input	Sensible To Total Ratio (S/T)			Total Cool Cap.	Comp. Motor Input	Sensible To Total Ratio (S/T)			Total Cool Cap.	Comp. Motor Input	Sensible To Total Ratio (S/T)					
				Dry Bulb					Dry Bulb					Dry Bulb					
L/s	kW	kW	24°C	27°C	29°C	kW	kW	24°C	27°C	29°C	kW	kW	24°C	27°C	29°C				
17.2°C	1795	27.0	10.80	.78	1.00	1.00	25.8	11.23	.79	1.00	1.00	25.2	11.60	.81	1.00	1.00			
	2075	28.8	10.84	.84	1.00	1.00	27.6	11.26	.86	1.00	1.00	27.0	11.63	.88	1.00	1.00			
	2360	30.3	10.86	.90	1.00	1.00	29.2	11.29	.92	1.00	1.00	28.5	11.66	.96	1.00	1.00			
19.4°C	1795	29.6	10.84	.54	.75	.96	28.3	11.27	.54	.76	.98	27.1	11.62	.56	.81	.97			
	2075	30.7	10.86	.58	.82	1.00	29.4	11.29	.58	.83	1.00	28.2	11.66	.60	.88	1.00			
	2360	31.5	10.88	.62	.88	1.00	30.2	11.30	.62	.89	1.00	29.0	11.67	.64	.95	1.00			
21.7°C	1795	32.2	10.90	.34	.54	.73	30.9	11.32	.34	.54	.74	29.9	11.68	.34	.57	.72			
	2075	33.4	10.91	.37	.58	.79	32.0	11.33	.36	.58	.80	30.9	11.70	.36	.61	.78			
	2360	34.3	10.93	.39	.62	.85	32.8	11.34	.38	.62	.87	31.7	11.72	.38	.66	.84			

# HUMIDITROL® DEHUMIDIFICATION SYSTEM RATINGS

## 26 kW - LCH092H4B with HUMIDITROL® DEHUMIDIFICATION OPERATING (1ST STAGE)

Entering Wet Bulb Temperature	Total Air Volume	Outdoor Air Temperature Entering Outdoor Coil																							
		18.3°C						23.8°C						29.4°C						35°C					
		Total Cool Cap.	Comp. Motor Input	Sensible To Total Ratio (S/T)			Total Cool Cap.	Comp. Motor Input	Sensible To Total Ratio (S/T)			Total Cool Cap.	Comp. Motor Input	Sensible To Total Ratio (S/T)			Total Cool Cap.	Comp. Motor Input	Sensible To Total Ratio (S/T)						
				Dry Bulb					Dry Bulb					Dry Bulb					Dry Bulb						
L/s	kW	kW	24°C	27°C	29°C	kW	kW	24°C	27°C	29°C	kW	kW	24°C	27°C	29°C	kW	kW	24°C	27°C	29°C					
17.2°C	1135	7.0	1.7	0.47	0.66	0.85	5.9	1.9	0.34	0.58	0.82	4.8	2.1	0.22	0.50	0.84	2.9	2.3	0.09	0.42	0.88				
	1415	8.2	1.7	0.52	0.73	0.93	6.9	1.9	0.38	0.62	0.89	5.0	2.1	0.24	0.50	0.95	2.5	2.3	0.10	0.42	1.00				
	1700	9.4	1.7	0.57	0.80	1.00	7.9	1.9	0.41	0.65	0.93	5.1	2.1	0.26	0.58	0.97	2.1	2.3	0.10	0.51	1.00				
19.4°C	1135	9.1	1.8	0.34	0.50	0.67	7.8	2.0	0.21	0.41	0.61	6.3	2.2	0.08	0.31	0.56	4.3	2.4	-0.05	0.22	0.54				
	1415	10.1	1.8	0.36	0.55	0.72	8.7	2.0	0.21	0.43	0.65	6.5	2.2	0.07	0.32	0.63	4.1	2.4	-0.08	0.20	0.62				
	1700	11.2	1.8	0.39	0.59	0.78	9.6	2.0	0.22	0.46	0.69	6.8	2.2	0.06	0.32	0.66	3.9	2.4	-0.11	0.20	0.64				
21.7°C	1135	11.1	1.8	0.20	0.34	0.48	9.6	2.0	0.07	0.23	0.40	7.6	2.2	-0.06	0.13	0.31	5.6	2.4	-0.19	0.02	0.23				
	1415	12.0	1.8	0.20	0.36	0.52	10.4	2.0	0.05	0.25	0.44	8.0	2.2	-0.10	0.13	0.36	5.7	2.4	-0.25	0.02	0.28				
	1700	12.9	1.8	0.20	0.38	0.56	11.1	2.0	0.03	0.26	0.48	8.5	2.2	-0.14	0.13	0.41	5.8	2.4	-0.31	0.01	0.33				

## 26 kW - LCH092H4B with HUMIDITROL® DEHUMIDIFICATION OPERATING (2ND STAGE)

Entering Wet Bulb Temperature	Total Air Volume	Outdoor Air Temperature Entering Outdoor Coil																							
		18.3°C						23.8°C						29.4°C						35°C					
		Total Cool Cap.	Comp. Motor Input	Sensible To Total Ratio (S/T)			Total Cool Cap.	Comp. Motor Input	Sensible To Total Ratio (S/T)			Total Cool Cap.	Comp. Motor Input	Sensible To Total Ratio (S/T)			Total Cool Cap.	Comp. Motor Input	Sensible To Total Ratio (S/T)						
				Dry Bulb					Dry Bulb					Dry Bulb					Dry Bulb						
L/s	kW	kW	24°C	27°C	29°C	kW	kW	24°C	27°C	29°C	kW	kW	24°C	27°C	29°C	kW	kW	24°C	27°C	29°C					
17.2°C	1135	20.1	3.5	0.66	0.81	0.96	18.2	3.9	0.65	0.83	0.97	16.2	4.4	0.63	0.84	0.99	13.5	4.8	0.62	0.86	1.00				
	1415	21.1	3.5	0.72	0.86	1.00	19.0	4.0	0.71	0.86	1.00	16.8	4.4	0.71	0.86	1.00	13.9	4.9	0.71	0.86	1.00				
	1700	22.1	3.5	0.77	0.90	1.00	19.9	4.0	0.78	0.89	1.01	17.5	4.4	0.79	0.90	0.98	14.2	4.9	0.80	0.96	1.00				
19.4°C	1135	22.4	3.5	0.48	0.63	0.78	20.7	4.0	0.46	0.63	0.78	18.3	4.4	0.44	0.63	0.78	16.0	4.9	0.42	0.63	0.79				
	1415	23.6	3.5	0.52	0.67	0.83	21.8	4.0	0.50	0.66	0.83	19.1	4.4	0.49	0.66	0.83	16.3	4.9	0.47	0.65	0.83				
	1700	24.9	3.5	0.56	0.72	0.88	22.8	4.0	0.55	0.71	0.87	19.8	4.5	0.54	0.70	0.86	16.7	5.0	0.53	0.69	0.85				
21.7°C	1135	24.6	3.5	0.30	0.45	0.60	22.6	4.0	0.27	0.43	0.59	20.5	4.4	0.24	0.41	0.58	18.4	4.9	0.21	0.39	0.57				
	1415	26.1	3.5	0.32	0.49	0.66	23.9	4.0	0.29	0.47	0.66	21.3	4.5	0.26	0.46	0.65	18.8	5.0	0.23	0.44	0.65				
	1700	27.6	3.5	0.34	0.53	0.72	25.2	4.0	0.31	0.52	0.72	22.2	4.5	0.28	0.50	0.73	19.1	5.0	0.25	0.49	0.73				

## 30 kW - LCH102H4B with HUMIDITROL® DEHUMIDIFICATION OPERATING (1ST STAGE)

Entering Wet Bulb Temperature	Total Air Volume	Outdoor Air Temperature Entering Outdoor Coil																							
		18.3°C						23.8°C						29.4°C						35°C					
		Total Cool Cap.	Comp. Motor Input	Sensible To Total Ratio (S/T)			Total Cool Cap.	Comp. Motor Input	Sensible To Total Ratio (S/T)			Total Cool Cap.	Comp. Motor Input	Sensible To Total Ratio (S/T)			Total Cool Cap.	Comp. Motor Input	Sensible To Total Ratio (S/T)						
				Dry Bulb					Dry Bulb					Dry Bulb					Dry Bulb						
L/s	kW	kW	24°C	27°C	29°C	kW	kW	24°C	27°C	29°C	kW	kW	24°C	27°C	29°C	kW	kW	24°C	27°C	29°C					
17.2°C	1285	8.9	1.9	0.53	0.66	0.83	6.7	2.1	0.39	0.58	0.91	4.5	2.4	0.25	0.51	0.99	2.3	2.6	0.11	0.43	.75				
	1605	9.6	1.9	0.56	0.71	0.89	7.1	2.1	0.42	0.65	0.98	4.6	2.4	0.28	0.58	1.07	2.1	2.6	0.14	0.52	.91				
	1925	10.4	1.9	0.58	0.76	0.95	7.6	2.1	0.44	0.71	1.05	4.8	2.4	0.30	0.66	1.16	2.0	2.6	0.16	0.61	1.00				
19.4°C	1285	10.9	1.9	0.38	0.51	0.67	8.5	2.1	0.23	0.41	0.64	6.2	2.4	0.08	0.31	0.62	3.8	2.6	-0.08	0.21	0.60				
	1605	11.8	1.9	0.44	0.57	0.70	9.2	2.2	0.23	0.44	0.70	6.5	2.4	0.07	0.34	0.69	3.9	2.6	-0.09	0.25	0.68				
	1925	12.8	2.0	0.56	0.65	0.74	9.8	2.2	0.28	0.51	0.75	6.9	2.4	0.07	0.38	0.75	3.9	2.6	-0.10	0.29	0.76				
21.7°C	1285	12.9	1.9	0.22	0.36	0.50	10.4	2.1	0.06	0.24	0.41	7.9	2.4	-0.10	0.11	0.33	5.4	2.6	-0.26	-0.01	0.24				
	1605	14.1	2.0	0.36	0.44	0.54	11.2	2.2	0.07	0.25	0.46	8.4	2.4	-0.13	0.12	0.38	5.6	2.6	-0.31	-0.01	0.30				
	1925	15.2	2.0	0.55	0.54	0.58	12.1	2.2	0.19	0.31	0.50	8.9	2.4	-0.17	0.13	0.43	5.8	2.6	-0.35	0.00	0.35				

## 30 kW - LCH102H4B with HUMIDITROL® DEHUMIDIFICATION OPERATING (2ND STAGE)

Entering Wet Bulb Temperature	Total Air Volume	Outdoor Air Temperature Entering Outdoor Coil																							
		18.3°C						23.8°C						29.4°C						35°C					
		Total Cool Cap.	Comp. Motor Input	Sensible To Total Ratio (S/T)			Total Cool Cap.	Comp. Motor Input	Sensible To Total Ratio (S/T)			Total Cool Cap.	Comp. Motor Input	Sensible To Total Ratio (S/T)			Total Cool Cap.	Comp. Motor Input	Sensible To Total Ratio (S/T)						
				Dry Bulb					Dry Bulb					Dry Bulb					Dry Bulb						
L/s	kW	kW	24°C	27°C	29°C	kW	kW	24°C	27°C	29°C	kW	kW	24°C	27°C	29°C	kW	kW	24°C	27°C	29°C					
17.2°C	1285	22.6	3.8	0.68	0.85	1.00	19.7	4.3	0.65	0.87	1.00	16.9	4.8	0.63	0.88	1.00	14.1	5.3	0.60	0.90	1.00				
	1605	23.9	3.8	0.73	0.86	0.98	20.8	4.3	0.72	0.86	0.99	17.6	4.8	0.72	0.86	0.99	14.4	5.3	0.71	0.86	1.00				
	1925	25.1	3.8	0.78	0.87	1.00	21.8	4.3	0.79	0.89	1.00	18.2	4.8	0.81	0.92	1.00	14.6	5.3	0.82	0.96	1.00				
19.4°C	1285	24.7	3.9	0.57	0.66	0.80	22.0	4.4	0.50	0.66	0.80	19.2	4.9	0.44	0.65	0.79	16.5	5.4	0.40	0.65	0.79				
	1605	26.1	3.9	0.54	0.68	0.82	23.1	4.4	0.51	0.67	0.82	20.1	4.9	0.48	0.65	0.83	17.0	5.4	0.45	0.64	0.83				
	1925	27.5	3.9	0.56	0.70	0.84	24.2	4.4	0.54	0.70	0.85	20.9	4.9	0.52	0.69	0.86	17.5	5.4	0.51	0.69	0.87				
21.7°C	1285	26.9	3.9	0.53	0.55	0.60	24.2	4.4	0.42	0.49	0.59	21.6	4.9	0.31	0.42	0.59	18.9	5.4	0.20	0.39	0.58				
	1605	28.3	4.0	0.43	0.52	0.66	25.4	4.4	0.34	0.48	0.66	22.5	4.9	0.26	0.45	0.66	19.7	5.4	0.20	0.43	0.67				
	1925	29.7	4.0	0.34	0.53	0.72	26.6	4.5	0.29	0.51	0.73	23.5	4.9	0.24	0.49	0.74	20.4	5.4	0.19	0.47	0.75				

# HUMIDITROL® DEHUMIDIFICATION SYSTEM RATINGS

## 35 KW - LCH120H4B with HUMIDITROL® DEHUMIDIFICATION OPERATING (1ST STAGE)

Entering Wet Bulb Temperature	Total Air Volume	Outdoor Air Temperature Entering Outdoor Coil																							
		18.3°C						23.8°C						29.4°C						35°C					
		Total Cool Cap.	Comp. Motor Input	Sensible To Total Ratio (S/T)			Total Cool Cap.	Comp. Motor Input	Sensible To Total Ratio (S/T)			Total Cool Cap.	Comp. Motor Input	Sensible To Total Ratio (S/T)			Total Cool Cap.	Comp. Motor Input	Sensible To Total Ratio (S/T)						
				Dry Bulb					Dry Bulb					Dry Bulb					Dry Bulb						
L/s	kW	kW	24°C	27°C	29°C	kW	kW	24°C	27°C	29°C	kW	kW	24°C	27°C	29°C	kW	kW	24°C	27°C	29°C					
17.2°C	1510	13.2	2.3	0.50	0.73	0.97	11.3	2.6	0.40	0.68	0.97	9.4	2.9	0.23	0.63	0.98	7.4	3.1	0.01	0.49	1.00				
	1890	15.7	2.3	0.58	0.88	1.00	13.0	2.6	0.47	0.87	1.00	10.4	2.9	0.32	0.85	0.93	7.8	3.1	-0.01	0.80	0.97				
	2265	18.3	2.3	0.65	0.97	1.00	14.9	2.6	0.58	0.98	1.00	11.6	2.9	0.43	1.00	1.00	8.2	3.1	-0.02	0.97	0.80				
19.4°C	1510	16.3	2.4	0.31	0.51	0.69	14.0	2.6	0.20	0.43	0.67	11.6	2.9	0.01	0.31	0.62	9.2	3.2	-0.06	0.08	0.53				
	1890	18.1	2.4	0.35	0.58	0.82	15.3	2.6	0.24	0.52	0.81	12.5	2.9	0.05	0.40	0.81	9.7	3.2	-0.12	0.16	0.78				
	2265	20.0	2.4	0.39	0.66	0.94	16.7	2.7	0.26	0.59	0.95	13.4	2.9	0.06	0.53	0.94	10.1	3.2	-0.18	0.30	0.98				
21.7°C	1510	19.5	2.4	0.17	0.33	0.50	16.7	2.7	0.06	0.24	0.43	13.8	2.9	-0.12	0.11	0.36	11.1	3.2	-0.13	0.03	0.20				
	1890	20.5	2.4	0.17	0.36	0.57	17.6	2.7	0.05	0.29	0.53	14.6	3.0	-0.14	0.16	0.45	11.7	3.2	-0.24	-0.04	0.30				
	2265	21.7	2.4	0.20	0.41	0.65	18.5	2.7	0.06	0.33	0.60	15.4	3.0	-0.16	0.19	0.53	12.2	3.2	-0.34	-0.09	0.43				

## 35 KW - LCH120H4B with HUMIDITROL® DEHUMIDIFICATION OPERATING (2ND STAGE)

Entering Wet Bulb Temperature	Total Air Volume	Outdoor Air Temperature Entering Outdoor Coil																							
		18.3°C						23.8°C						29.4°C						35°C					
		Total Cool Cap.	Comp. Motor Input	Sensible To Total Ratio (S/T)			Total Cool Cap.	Comp. Motor Input	Sensible To Total Ratio (S/T)			Total Cool Cap.	Comp. Motor Input	Sensible To Total Ratio (S/T)			Total Cool Cap.	Comp. Motor Input	Sensible To Total Ratio (S/T)						
				Dry Bulb					Dry Bulb					Dry Bulb					Dry Bulb						
L/s	kW	kW	24°C	27°C	29°C	kW	kW	24°C	27°C	29°C	kW	kW	24°C	27°C	29°C	kW	kW	24°C	27°C	29°C					
17.2°C	1510	27.9	4.8	.63	.78	.86	25.4	5.4	.61	.79	.91	22.8	6.0	.58	.82	.95	20.1	6.6	.55	.82	1.00				
	1890	30.6	4.9	.66	.83	.93	27.6	5.5	.64	.81	.95	24.6	6.1	.63	.79	.98	21.7	6.7	.62	.79	1.00				
	2265	33.6	4.9	.69	.82	.99	30.0	5.5	.70	.82	1.00	26.5	6.1	.70	.82	1.00	22.8	6.7	.69	.82	1.00				
19.4°C	1510	31.8	4.9	.47	.60	.74	29.0	5.5	.44	.59	.76	26.1	6.1	.41	.59	.79	23.3	6.7	.38	.58	.80				
	1890	34.2	5.0	.49	.64	.79	31.1	5.6	.46	.63	.80	28.1	6.2	.43	.62	.78	25.0	6.7	.41	.61	.76				
	2265	36.8	5.0	.50	.67	.80	33.3	5.6	.48	.66	.79	30.1	6.2	.45	.66	.78	26.9	6.8	.44	.65	.78				
21.7°C	1510	35.4	5.0	.30	.42	.55	32.4	5.6	.26	.41	.54	29.4	6.2	.23	.38	.52	26.5	6.8	.21	.35	.51				
	1890	38.0	5.1	.31	.45	.59	34.8	5.7	.27	.43	.58	31.8	6.3	.23	.39	.56	28.8	6.8	.20	.38	.56				
	2265	40.3	5.1	.32	.47	.62	37.2	5.7	.27	.45	.61	34.1	6.3	.24	.41	.61	31.2	6.8	.20	.39	.60				

## 44 KW - LCH150H4B with HUMIDITROL® DEHUMIDIFICATION OPERATING (1ST STAGE)

Entering Wet Bulb Temperature	Total Air Volume	Outdoor Air Temperature Entering Outdoor Coil																							
		18.3°C						23.8°C						29.4°C						35°C					
		Total Cool Cap.	Comp. Motor Input	Sensible To Total Ratio (S/T)			Total Cool Cap.	Comp. Motor Input	Sensible To Total Ratio (S/T)			Total Cool Cap.	Comp. Motor Input	Sensible To Total Ratio (S/T)			Total Cool Cap.	Comp. Motor Input	Sensible To Total Ratio (S/T)						
				Dry Bulb					Dry Bulb					Dry Bulb					Dry Bulb						
L/s	kW	kW	24°C	27°C	29°C	kW	kW	24°C	27°C	29°C	kW	kW	24°C	27°C	29°C	kW	kW	24°C	27°C	29°C					
17.2°C	1795	14.9	3.0	0.50	0.74	0.96	12.3	3.3	0.41	0.69	0.96	9.7	3.6	0.26	0.64	0.97	7.3	3.9	0.35	0.54	0.99				
	2075	15.6	3.0	0.55	0.82	1.00	12.8	3.3	0.46	0.81	1.00	10.1	3.6	0.32	0.78	1.00	7.3	3.9	0.23	0.73	1.00				
	2360	16.4	3.1	0.59	0.90	1.00	13.4	3.4	0.53	0.91	1.00	10.4	3.6	0.34	0.76	0.90	7.5	3.9	0.11	0.90	1.00				
19.4°C	1795	17.1	3.1	0.30	0.50	0.70	14.5	3.4	0.21	0.42	0.66	11.8	3.7	0.04	0.33	0.62	9.2	4.0	0.03	0.12	0.55				
	2075	17.9	3.1	0.33	0.53	0.78	15.1	3.4	0.22	0.48	0.76	12.2	3.7	0.05	0.38	0.73	9.4	4.0	-0.04	0.20	0.70				
	2360	18.7	3.2	0.34	0.57	0.85	15.6	3.4	0.25	0.53	0.84	12.7	3.7	0.08	0.44	0.84	9.7	4.0	-0.10	0.26	0.64				
21.7°C	1795	19.4	3.2	0.15	0.32	0.49	16.7	3.5	0.05	0.24	0.44	13.8	3.8	-0.10	0.12	0.37	11.1	4.1	-0.28	-0.07	0.23				
	2075	20.1	3.2	0.16	0.34	0.53	17.2	3.5	0.05	0.25	0.47	14.4	3.8	-0.11	0.14	0.41	11.5	4.1	-0.30	-0.06	0.28				
	2360	20.8	3.3	0.16	0.36	0.58	17.9	3.5	0.05	0.29	0.53	15.0	3.8	-0.12	0.17	0.48	12.1	4.1	-0.30	-0.04	0.35				

## 44 KW - LCH150H4B with HUMIDITROL® DEHUMIDIFICATION OPERATING (2ND STAGE)

Entering Wet Bulb Temperature	Total Air Volume	Outdoor Air Temperature Entering Outdoor Coil																							
		18.3°C						23.8°C						29.4°C						35°C					
		Total Cool Cap.	Comp. Motor Input	Sensible To Total Ratio (S/T)			Total Cool Cap.	Comp. Motor Input	Sensible To Total Ratio (S/T)			Total Cool Cap.	Comp. Motor Input	Sensible To Total Ratio (S/T)			Total Cool Cap.	Comp. Motor Input	Sensible To Total Ratio (S/T)						
				Dry Bulb					Dry Bulb					Dry Bulb					Dry Bulb						
L/s	kW	kW	24°C	27°C	29°C	kW	kW	24°C	27°C	29°C	kW	kW	24°C	27°C	29°C	kW	kW	24°C	27°C	29°C					
17.2°C	1795	32.8	6.4	0.65	0.83	0.96	29.6	7.1	0.64	0.85	0.99	26.4	7.8	0.63	0.87	1.00	23.1	8.4	0.62	0.88	1.00				
	2075	34.0	6.4	0.69	0.87	0.97	30.5	7.1	0.69	0.88	1.00	27.1	7.8	0.69	0.87	1.00	23.8	8.5	0.68	0.85	1.00				
	2360	35.2	6.5	0.73	0.88	0.99	31.8	7.2	0.74	0.86	1.00	28.1	7.8	0.73	0.87	1.00	24.4	8.5	0.73	0.88	1.00				
19.4°C	1795	36.9	6.6	0.49	0.64	0.80	33.4	7.3	0.44	0.63	0.81	29.8	7.9	0.43	0.64	0.83	26.4	8.6	0.42	0.62	0.85				
	2075	38.0	6.6	0.50	0.67	0.84	34.4	7.3	0.48	0.67	0.85	30.7	8.0	0.46	0.65	0.88	26.9	8.6	0.43	0.65	0.85				
	2360	39.3	6.7	0.52	0.69	0.87	35.3	7.3	0.50	0.70	0.87	31.4	8.0	0.49	0.69	0.85	27.6	8.7	0.46	0.69	0.85				
21.7°C	1795	40.8	6.7	0.32	0.45	0.59	37.0	7.4	0.28	0.43	0.59	33.3	8.1	0.23	0.40	0.58	29.5	8.8	0.20	0.39	0.58				
	2075	42.0	6.8	0.32	0.47	0.63	37.9	7.5	0.28	0.45	0.62	34.2	8.2	0.24	0.43	0.62	30.4	8.8	0.20	0.40	0.63				
	2360	43.4	6.9	0.32	0.50	0.67	39.2	7.5	0.28	0.47	0.67	35.2	8.2	0.24	0.45	0.67	31.2	8.8	0.20	0.43	0.66				

## BLOWER DATA

### BELT DRIVE BLOWER – BASE UNIT

**BLOWER TABLE INCLUDES RESISTANCE FOR BASE UNIT ONLY (NO HEAT SECTION) WITH DRY INDOOR COIL AND AIR FILTERS IN PLACE. FOR ALL UNITS ADD:**

- 1 – Wet indoor coil air resistance of selected unit.
- 2 – Any factory installed options air resistance (heat section, economizer, etc.)
- 3 – Any field installed accessories air resistance (duct resistance, diffuser, etc.)

Then determine from blower table blower motor output required.

See page 25 for blower motors and drives. See page 24 for wet coil and option/accessory air resistance data.

**MINIMUM AIR VOLUME REQUIRED FOR USE WITH OPTIONAL ELECTRIC HEAT - Maximum Static Pressure - 500 Pa (2.0 in. w.g.)**

5.7 kW, 11.5 kW, 17.2 kW, 23 kW and 34.5 kW - 1320 L/s (2800 cfm)

45.9 kW - 1885 L/s (4000 cfm)

Total Air Volume		TOTAL STATIC PRESSURE - Pa (Inches Water Gauge)																				
		50 (0.20)			100 (0.40)			150 (0.60)			200 (0.80)			250 (1.00)			300 (1.20)			350 (1.40)		
L/s	cfm	rev/min	kW	BHP	rev/min	kW	BHP	rev/min	kW	BHP	rev/min	kW	BHP	rev/min	kW	BHP	rev/min	kW	BHP	rev/min	kW	BHP
1060	2250	587	0.06	0.08	637	0.23	0.31	690	0.42	0.56	746	0.61	0.82	805	0.79	1.06	865	0.95	1.28	927	1.09	1.46
1180	2500	601	0.18	0.24	650	0.35	0.47	703	0.53	0.71	757	0.71	0.95	815	0.88	1.18	875	1.04	1.40	938	1.17	1.57
1300	2750	616	0.31	0.41	664	0.46	0.62	715	0.63	0.85	769	0.81	1.09	826	0.98	1.31	886	1.13	1.52	950	1.27	1.70
1415	3000	632	0.43	0.58	679	0.59	0.79	729	0.75	1.01	782	0.92	1.23	839	1.08	1.45	899	1.24	1.66	963	1.37	1.84
1535	3250	649	0.57	0.76	695	0.72	0.96	744	0.87	1.17	797	1.04	1.39	853	1.19	1.60	913	1.35	1.81	976	1.48	1.99
1650	3500	666	0.71	0.95	712	0.85	1.14	761	1.01	1.35	813	1.16	1.55	868	1.31	1.76	929	1.47	1.97	990	1.62	2.17
1770	3750	685	0.87	1.16	730	1.00	1.34	779	1.14	1.53	830	1.30	1.74	886	1.45	1.94	946	1.60	2.15	1005	1.76	2.36
1890	4000	706	1.02	1.37	750	1.16	1.55	798	1.29	1.73	849	1.44	1.93	905	1.60	2.14	965	1.75	2.35	1019	1.92	2.57
2005	4250	727	1.19	1.60	772	1.32	1.77	819	1.45	1.95	871	1.60	2.15	926	1.75	2.35	984	1.92	2.58	1034	2.09	2.80
2125	4500	750	1.37	1.84	795	1.50	2.01	843	1.63	2.19	894	1.77	2.38	949	1.93	2.59	1003	2.11	2.83	1050	2.29	3.07
2240	4750	775	1.57	2.10	820	1.69	2.26	868	1.82	2.44	919	1.96	2.63	972	2.13	2.86	1023	2.32	3.11	1067	2.51	3.36
2360	5000	802	1.77	2.37	847	1.89	2.53	895	2.02	2.71	945	2.17	2.91	997	2.36	3.16	1044	2.56	3.43	1087	2.75	3.69
2480	5250	831	1.99	2.67	876	2.11	2.83	924	2.24	3.01	973	2.41	3.23	1022	2.61	3.50	1066	2.82	3.78	1108	3.01	4.04
2595	5500	862	2.22	2.98	907	2.34	3.14	955	2.48	3.33	1002	2.68	3.59	1048	2.90	3.89	1090	3.11	4.17	1132	3.30	4.42
2715	5750	895	2.47	3.31	940	2.60	3.48	987	2.77	3.71	1032	2.99	4.01	1075	3.22	4.32	1116	3.42	4.59	1158	3.59	4.82
2830	6000	931	2.73	3.66	976	2.89	3.87	1021	3.10	4.16	1064	3.35	4.49	1104	3.56	4.78	1144	3.74	5.02	1185	3.90	5.23

Total Air Volume		TOTAL STATIC PRESSURE - Pa (Inches Water Gauge)																	
		400 (1.60)			450 (1.80)			500 (2.00)			550 (2.20)			600 (2.40)			650 (2.60)		
L/s	cfm	rev/min	kW	BHP	rev/min	kW	BHP	rev/min	kW	BHP	rev/min	kW	BHP	rev/min	kW	BHP	rev/min	kW	BHP
1060	2250	985	1.17	1.57	1034	1.25	1.68	1084	1.34	1.80	1136	1.45	1.95	1189	1.59	2.13	1239	1.73	2.32
1180	2500	996	1.27	1.70	1045	1.36	1.82	1095	1.46	1.96	1147	1.59	2.13	1201	1.72	2.31	1253	1.88	2.52
1300	2750	1008	1.37	1.84	1056	1.48	1.98	1105	1.59	2.13	1158	1.72	2.31	1213	1.88	2.52	1266	2.04	2.73
1415	3000	1019	1.48	1.99	1066	1.60	2.15	1115	1.73	2.32	1169	1.87	2.51	1225	2.04	2.73	1279	2.21	2.96
1535	3250	1030	1.61	2.16	1076	1.74	2.33	1126	1.88	2.52	1181	2.04	2.73	1237	2.20	2.95	1293	2.38	3.19
1650	3500	1041	1.75	2.35	1087	1.89	2.53	1138	2.04	2.73	1193	2.20	2.95	1250	2.38	3.19	1307	2.56	3.43
1770	3750	1053	1.90	2.55	1098	2.05	2.75	1150	2.21	2.96	1207	2.39	3.20	1264	2.57	3.44	1321	2.75	3.69
1890	4000	1065	2.07	2.78	1111	2.23	2.99	1164	2.40	3.22	1221	2.58	3.46	1279	2.76	3.70	1336	2.95	3.96
2005	4250	1079	2.25	3.02	1126	2.42	3.25	1180	2.60	3.49	1236	2.78	3.73	1295	2.97	3.98	1352	3.16	4.24
2125	4500	1094	2.46	3.30	1142	2.63	3.53	1196	2.81	3.77	1253	3.00	4.02	1311	3.18	4.27	1369	3.38	4.53
2240	4750	1112	2.68	3.60	1161	2.86	3.84	1215	3.04	4.08	1271	3.22	4.32	1329	3.41	4.57	1387	3.60	4.83
2360	5000	1131	2.93	3.93	1181	3.10	4.16	1235	3.28	4.40	1291	3.46	4.64	1349	3.65	4.89	1406	3.83	5.14
2480	5250	1153	3.18	4.27	1203	3.36	4.51	1256	3.53	4.74	1312	3.71	4.98	1369	3.89	5.22	1426	4.08	5.47
2595	5500	1177	3.46	4.64	1226	3.63	4.87	1278	3.80	5.09	1333	3.97	5.32	1390	4.15	5.56	---	---	---
2715	5750	1202	3.75	5.03	1251	3.91	5.24	1302	4.07	5.46	1356	4.24	5.68	---	---	---	---	---	---
2830	6000	1229	4.05	5.43	1276	4.20	5.63	---	---	---	---	---	---	---	---	---	---	---	---



## BLOWER DATA

### FACTORY INSTALLED BELT DRIVE KIT SPECIFICATIONS

Nominal		Maximum		Drive Kit Number	rev/min Range
kW	hp	kW	hp		
1.5	2	1.7	2.3	1	490 - 740
1.5	2	1.7	2.3	2	665 - 920
1.5	2	1.7	2.3	3	660 - 995
2.2	3	2.6	3.45	7	610 - 810
2.2	3	2.6	3.45	8	780 - 1000
2.2	3	2.6	3.45	9	845 - 1085
3.7	5	4.3	5.75	10	750 - 945
3.7	5	4.3	5.75	11	865 - 1095
3.7	5	4.3	5.75	12	940 - 1190

NOTE - Using total air volume and system static pressure requirements determine from blower performance tables rev/min and motor output required. Maximum usable output of motors furnished are shown. If motors of comparable output are used, be sure to keep within the service factor limitations outlined on the motor nameplate.

### POWER EXHAUST FAN PERFORMANCE

Return Air System Static Pressure		Air Volume Exhausted	
Pa	in. w.g.	L/s	cfm
0	0	1498	3175
12	0.05	1394	2955
25	0.10	1267	2685
37	0.15	1137	2410
50	0.20	1022	2165
62	0.25	906	1920
75	0.30	670	1420
87	0.35	566	1200

### FACTORY INSTALLED OPTIONS/FIELD INSTALLED ACCESSORY AIR RESISTANCE

Air Volume		Wet Indoor Coil		Dry Indoor Coil		Electric Heat		Economizer		Humiditrol Condenser Reheat Coil		Filters				Return Air Adaptor Plate			
		092, 102, 120		150								MERV 8		MERV 13					
L/s	cfm	Pa	in. w.g.	Pa	in. w.g.	Pa	in. w.g.	Pa	in. w.g.	Pa	in. w.g.	Pa	in. w.g.	Pa	in. w.g.	Pa	in. w.g.		
1062	2250	32	0.13	45	0.18	30	0.12	10	0.04	20	0.08	5	0.02	2	0.01	10	0.04	0	0.00
1180	2500	37	0.15	55	0.22	35	0.14	10	0.04	27	0.11	7	0.03	2	0.01	12	0.05	0	0.00
1298	2750	42	0.17	57	0.23	37	0.15	12	0.05	30	0.12	7	0.03	5	0.02	12	0.05	0	0.00
1416	3000	47	0.19	70	0.28	45	0.18	15	0.06	32	0.13	7	0.03	5	0.02	15	0.06	5	0.02
1534	3250	57	0.23	82	0.33	52	0.21	15	0.06	37	0.15	10	0.04	5	0.02	15	0.06	5	0.02
1652	3500	65	0.26	92	0.37	57	0.23	22	0.09	37	0.15	10	0.04	7	0.03	17	0.07	10	0.04
1770	3750	72	0.29	104	0.42	65	0.26	22	0.09	37	0.15	12	0.05	7	0.03	20	0.08	17	0.07
1888	4000	77	0.31	112	0.45	70	0.28	22	0.09	47	0.19	12	0.05	10	0.04	20	0.08	22	0.09
2006	4250	85	0.34	124	0.50	80	0.32	32	0.13	47	0.19	15	0.06	10	0.04	22	0.09	27	0.11
2124	4500	92	0.37	132	0.53	82	0.33	35	0.14	55	0.22	17	0.07	10	0.04	22	0.09	30	0.12
2242	4750	99	0.40	147	0.59	92	0.37	42	0.17	62	0.25	17	0.07	12	0.05	25	0.1	40	0.16
2360	5000	107	0.43	157	0.63	99	0.40	50	0.2	72	0.29	20	0.08	15	0.06	25	0.1	45	0.18
2477	5250	114	0.46	169	0.68	104	0.42	55	0.22	80	0.32	20	0.08	15	0.06	27	0.11	47	0.19
2595	5500	124	0.50	182	0.73	114	0.46	62	0.25	85	0.34	22	0.09	17	0.07	30	0.12	55	0.22
2713	5750	139	0.56	196	0.79	124	0.50	77	0.31	112	0.45	25	0.10	17	0.07	30	0.12	62	0.25
2831	6000	147	0.59	214	0.86	134	0.54	82	0.33	129	0.52	25	0.10	20	0.08	32	0.13	67	0.27

## BLOWER DATA

### CEILING DIFFUSERS AIR RESISTANCE

Unit Size	RTD11 Step-Down Diffuser								FD11 Flush Diffuser	
	Air Volume		2 Ends Open		1 Side, 2 Ends Open		All Ends & Sides Open			
	Pa	in. w.g.	Pa	in. w.g.	Pa	in. w.g.	Pa	in. w.g.	Pa	in. w.g.
092 Models	1133	2400	52	0.21	45	0.18	37	0.15	35	0.14
	1227	2600	60	0.24	52	0.21	45	0.18	42	0.17
	1321	2800	67	0.27	60	0.24	52	0.21	50	0.20
	1416	3000	80	0.32	72	0.29	62	0.25	62	0.25
	1510	3200	102	0.41	92	0.37	80	0.32	77	0.31
	1604	3400	124	0.50	112	0.45	97	0.39	92	0.37
	1699	3600	152	0.61	134	0.54	119	0.48	109	0.44
	1793	3800	182	0.73	157	0.63	142	0.57	127	0.51
102 & 120 Models	1699	3600	90	0.36	70	0.28	57	0.23	37	0.15
	1793	3800	99	0.40	80	0.32	65	0.26	45	0.18
	1888	4000	109	0.44	90	0.36	72	0.29	52	0.21
	1982	4200	122	0.49	99	0.40	82	0.33	60	0.24
	2076	4400	134	0.54	109	0.44	92	0.37	67	0.27
	2171	4600	149	0.60	122	0.49	104	0.42	77	0.31
	2265	4800	162	0.65	132	0.53	114	0.46	87	0.35
	2360	5000	172	0.69	144	0.58	124	0.50	97	0.39
150 Models	2454	5200	186	0.75	154	0.62	134	0.54	107	0.43
	1982	4200	55	0.22	47	0.19	40	0.16	25	0.10
	2076	4400	70	0.28	60	0.24	50	0.20	30	0.12
	2171	4600	85	0.34	72	0.29	60	0.24	37	0.15
	2265	4800	99	0.40	85	0.34	72	0.29	47	0.19
	2360	5000	114	0.46	97	0.39	85	0.34	57	0.23
	2454	5200	129	0.52	109	0.44	97	0.39	67	0.27
	2548	5400	144	0.58	122	0.49	107	0.43	77	0.31
150 Models	2643	5600	159	0.64	134	0.54	117	0.47	87	0.35
	2737	5800	174	0.70	147	0.59	127	0.51	97	0.39

### CEILING DIFFUSER AIR THROW DATA

Model No.	Air Volume		<sup>1</sup> Effective Throw Range			
			RTD11 Step-Down		FD11 Flush	
	L/s	cfm	m	ft.	m	ft.
092 Models	1227	2600	7 - 9	24 - 29	6 - 7	19 - 24
	1321	2800	8 - 9	25 - 30	6 - 9	20 - 28
	1416	3000	8 - 10	27 - 33	6 - 9	21 - 29
	1510	3200	9 - 11	28 - 35	7 - 9	22 - 29
	1604	3400	9 - 11	30 - 37	7 - 9	22 - 30
102, 120 Models	1699	3600	8 - 10	25 - 33	7 - 9	22 - 29
	1793	3800	8 - 11	27 - 35	7 - 9	22 - 30
	1888	4000	9 - 11	29 - 37	7 - 10	24 - 33
	1982	4200	10 - 12	32 - 40	8 - 11	26 - 35
	2076	4400	10 - 13	34 - 42	9 - 11	28 - 37
150 Models	2643	5600	12 - 15	39 - 49	9 - 11	28 - 37
	2737	5800	13 - 16	42 - 51	9 - 12	29 - 38
	2831	6000	13 - 17	44 - 54	12 - 15	40 - 50
	2926	6200	14 - 17	45 - 55	13 - 16	42 - 51
	3020	6400	14 - 17	46 - 55	13 - 16	43 - 52
	3115	6600	14 - 17	47 - 56	14 - 17	45 - 56

<sup>1</sup> Throw is the horizontal or vertical distance an air stream travels on leaving the outlet or diffuser before the maximum velocity is reduced to 15 m (50 ft.) per minute. Four sides open.

## ELECTRICAL DATA

		LCH092H4			LCH102H4			LCH120H4			LCH150H4		
<sup>1</sup> Voltage - 50hz 3 Phase with neutral		380/420V			380/420V			380/420V			380/420V		
Compressor 1	Rated Load Amps	6.1			6.1			7.8			8		
	Locked Rotor Amps	41			43			51.5			67.1		
Compressor 2	Rated Load Amps	6.1			6.1			7.8			10.6		
	Locked Rotor Amps	41			43			51.5			74		
Outdoor Fan Motors (2)	Full Load Amps	1.3			1.3			1.3			1.5		
	(total)	(2.6)			(2.6)			(2.6)			(3)		
Power Exhaust (1) 0.19 kW (0.25 HP)	Full Load Amps	1.3			1.3			1.3			1.3		
Indoor Blower Motor	kW	1.5	2.2	3.7	1.5	2.2	3.7	1.5	2.2	3.7	1.5	2.2	3.7
	Full Load Amps	3.4	4.8	7.6	3.5	5	7.8	3.5	5	7.8	3.5	5	7.8
<sup>2</sup> Maximum Overcurrent Protection	Unit Only	25	25	30	20	25	30	30	30	35	35	40	40
	With 0.25 kW (0.33 HP) Power Exhaust	25	25	30	25	25	30	30	30	35	35	40	40
<sup>3</sup> Minimum Circuit Ampacity	Unit Only	20	22	26	20	22	26	24	26	28	28	30	33
	With 0.25 kW (0.33 HP) Power Exhaust	22	23	27	22	23	27	25	27	30	30	31	34

## ELECTRIC HEAT DATA

Electric Heat Voltage			420	420	420	420	420	420	420	420	420	420	420	
<sup>2</sup> Maximum Overcurrent Protection	Unit+ <sup>4</sup> Electric Heat	5.7 kW	25	25	30	25	25	30	---	---	---	---	---	
		11.5 kW	25	30	30	25	30	30	30	30	35	35	40	40
		17.2 kW	35	40	40	35	40	40	35	40	40	35	40	40
		23 kW	45	50	50	45	50	50	45	50	50	45	50	50
		34.5 kW	70	70	70	70	70	70	70	70	70	70	70	70
		45.9 kW	---	---	---	---	---	---	70	70	80	70	70	80
<sup>3</sup> Minimum Circuit Ampacity	Unit+ <sup>4</sup> Electric Heat	5.7 kW	20	22	26	20	22	26	---	---	---	---	---	
		11.5 kW	25	27	30	25	27	30	25	26	30	28	30	33
		17.2 kW	35	37	40	35	37	40	34	36	40	35	37	40
		23 kW	44	47	50	44	47	50	44	46	50	44	47	50
		34.5 kW	64	66	70	64	66	70	64	66	69	64	66	70
		45.9 kW	---	---	---	---	---	---	68	70	73	68	70	74
<sup>2</sup> Maximum Overcurrent Protection	Unit+ <sup>4</sup> Electric Heat and 0.25 kW (0.33 HP) Power Exhaust	5.7 kW	25	25	30	25	25	30	---	---	---	---	---	
		11.5 kW	30	30	35	30	30	35	30	30	35	35	40	40
		17.2 kW	40	40	45	40	40	45	40	40	45	40	40	45
		23 kW	50	50	60	50	50	60	50	50	60	50	50	60
		34.5 kW	70	70	80	70	70	80	70	70	80	70	70	80
		45.9 kW	---	---	---	---	---	---	70	80	80	70	80	80
<sup>3</sup> Minimum Circuit Ampacity	Unit+ <sup>4</sup> Electric Heat and 0.25 kW (0.33 HP) Power Exhaust	5.7 kW	22	23	27	22	23	27	---	---	---	---	---	
		11.5 kW	26	28	32	26	28	32	26	28	32	30	31	34
		17.2 kW	36	38	42	36	38	42	36	38	41	36	38	42
		23 kW	46	48	52	46	48	52	46	48	51	46	48	52
		34.5 kW	66	68	72	66	68	72	66	68	71	66	68	72
		45.9 kW	---	---	---	---	---	---	70	72	75	70	72	76

<sup>1</sup> Extremes of operating range are plus and minus 10% of line voltage.

<sup>2</sup> Heating Air Conditioning and Refrigeration (HACR) type breaker or fuse.

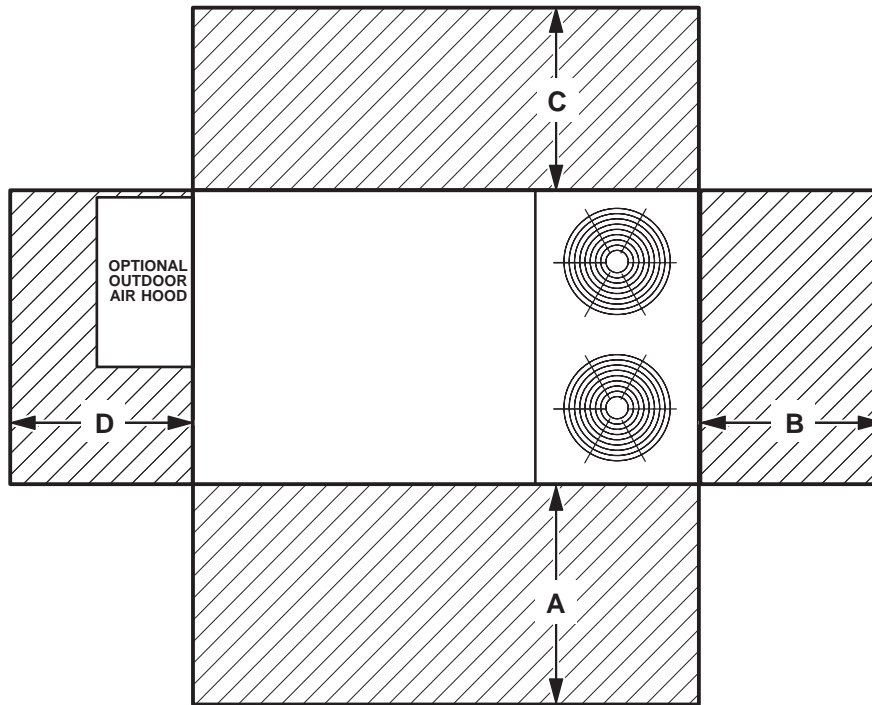
<sup>3</sup> Refer to local codes to determine wire, fuse and disconnect size requirements.

<sup>4</sup> Nominal kW based on 420V-3ph-50hz.

## ELECTRIC HEAT CAPACITIES

Volts Input	5.7 kW			11.5 kW			17.2 kW			23 kW			34.5 kW			45.9 kW		
	kW Input	Btuh Output	No. of Stages	kW Input	Btuh Output	No. of Stages	kW Input	Btuh Output	No. of Stages	kW Input	Btuh Output	No. of Stages	kW Input	Btuh Output	No. of Stages	kW Input	Btuh Output	No. of Stages
380	4.7	16 000	1	9.4	32 100	1	14.1	48 200	1	18.8	64 200	2	28.2	96 300	2	37.6	128 400	2
400	5.2	17 800	1	10.4	35 500	1	15.6	53 300	1	20.9	71 400	2	31.2	106 600	2	41.6	142 100	2
420	5.7	19 500	1	11.5	39 300	1	17.2	58 700	1	23	78 500	2	34.5	117 500	2	45.9	156 800	2

## UNIT CLEARANCES



<sup>1</sup> Unit Clearance	A		B		C		D		Top Clearance
	mm	in.	mm	in.	mm	in.	mm	in.	
<b>Service Clearance</b>	1524	60	914	36	914	36	1524	60	Unobstructed
<b>Minimum Operation Clearance</b>	914	36	914	36	914	36	914	36	

NOTE - Entire perimeter of unit base requires support when elevated above the mounting surface.

<sup>1</sup> Service Clearance - Required for removal of serviceable parts.

Minimum Operation Clearance - Required clearance for proper unit operation.

## OUTDOOR SOUND DATA

Unit Model Number	Octave Band Sound Power Levels dBA, re 10 <sup>-12</sup> Watts Center Frequency - HZ							<sup>1</sup> Sound Rating Number (dBA)
	125	250	500	1000	2000	4000	8000	
092, 102 and 120	76	79	84	83	79	73	66	88
150	77	80	85	84	79	74	66	88

Note - The octave sound power data does not include tonal corrections.

<sup>1</sup> Sound Rating Number according to AHRI Standard 370-2001.

## WEIGHT DATA

Model Number	Outdoor Coil	Net		Shipping		Outdoor Coil	Net		Shipping	
		kg	lbs.	kg	lbs.		kg	lbs.	kg	lbs.
092 Base Unit	Environ™	472	1040	510	1125	Fin/Tube	508	1120	547	1205
092 Max. Unit	Environ™	543	1197	582	1282	Fin/Tube	579	1277	618	1362
102 Base Unit	Environ™	475	1047	513	1132	Fin/Tube	511	1127	550	1212
102 Max. Unit	Environ™	546	1204	585	1289	Fin/Tube	582	1284	621	1369
120 Base Unit	Environ™	491	1082	529	1167	Fin/Tube	527	1162	566	1247
120 Max. Unit	Environ™	565	1246	604	1331	Fin/Tube	601	1326	640	1411
150 Base Unit	N/A	---	---	---	---	Fin/Tube	545	1202	584	1287
150 Max. Unit	N/A	---	---	---	---	Fin/Tube	620	1366	658	1451

## OPTIONS / ACCESSORIES

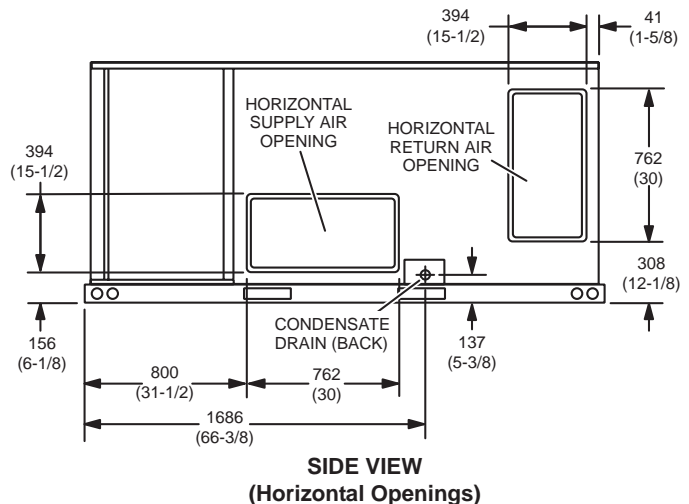
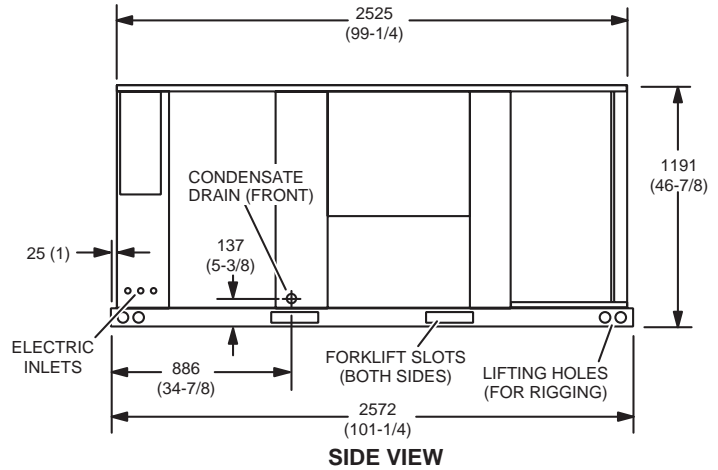
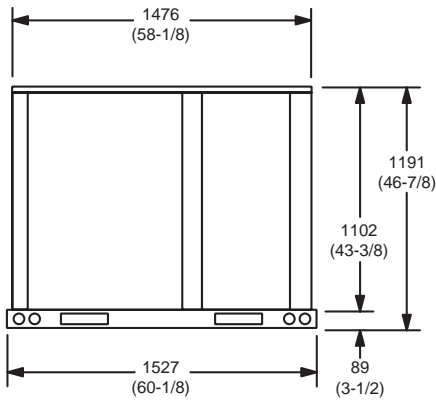
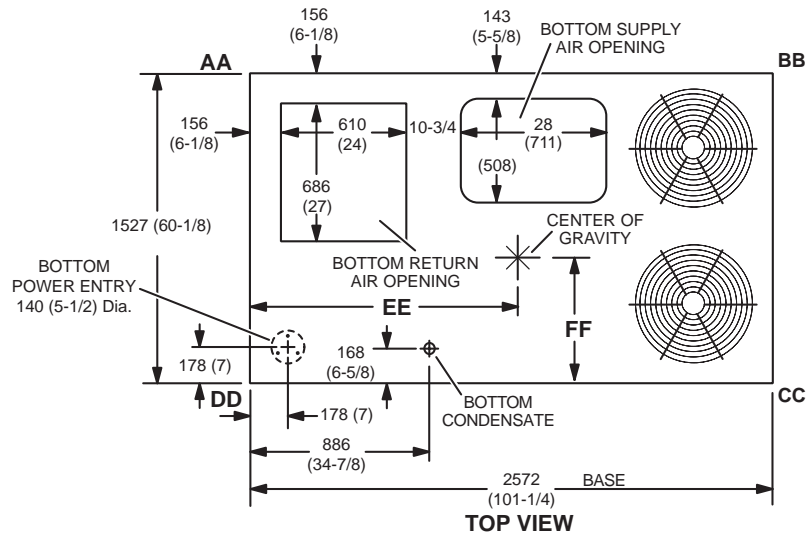
Description	Shipping Weight		
	kg	lbs.	
<b>CONVENTIONAL FIN/TUBE CONDENSER COIL</b>			
Fin/Tube Condenser Coil	36	80	
<b>ECONOMIZER / OUTDOOR AIR / EXHAUST</b>			
<b>Economizer</b>			
Economizer Dampers	27	60	
Outdoor Air Hood (downflow)	10	23	
Barometric Relief Dampers (downflow)	4	8	
Barometric Relief Dampers (low profile horizontal)	9	20	
<b>Outdoor Air Dampers</b>			
Outdoor Air Damper Section (downflow) - Automatic	4	9	
Outdoor Air Damper Section (downflow) - Manual	1	2	
Outdoor Air Damper Hood (downflow)	4	9	
<b>Power Exhaust</b>	14	31	
<b>ELECTRIC HEAT</b>			
5.2 kW	23	50	
10.4 kW	23	50	
15.6 kW	26	57	
20.9 kW	26	57	
31.2 kW	27	59	
41.6 kW	31	68	
<b>HUMIDITROL® DEHUMIDIFICATION SYSTEM</b>			
Humiditrol® Dehumidification Option	9	20	
<b>ROOF CURBS</b>			
<b>Hybrid Roof Curbs, Downflow</b>			
203 mm height	27	60	
356 mm height	39	85	
457 mm height	45	100	
610 mm height	57	125	
<b>Adjustable Pitch Curb, Downflow</b>			
356 mm height	32	191	
<b>CEILING DIFFUSERS</b>			
<b>Step-Down</b>			
	RTD11-95S	40	88
	RTD11-135S	93	205
	RTD11-185S	178	392
<b>Flush</b>			
	FD11-95S	34	75
	FD11-135S	79	174
	FD11-185S	131	289
<b>Transitions</b>			
	C1DIFF30B-1	14	30
	C1DIFF31B-1	15	32
	C1DIFF32B-1	16	36
<b>PACKAGING</b>			
LTL Packaging (less than truck load)	48	105	

# DIMENSIONS - UNIT

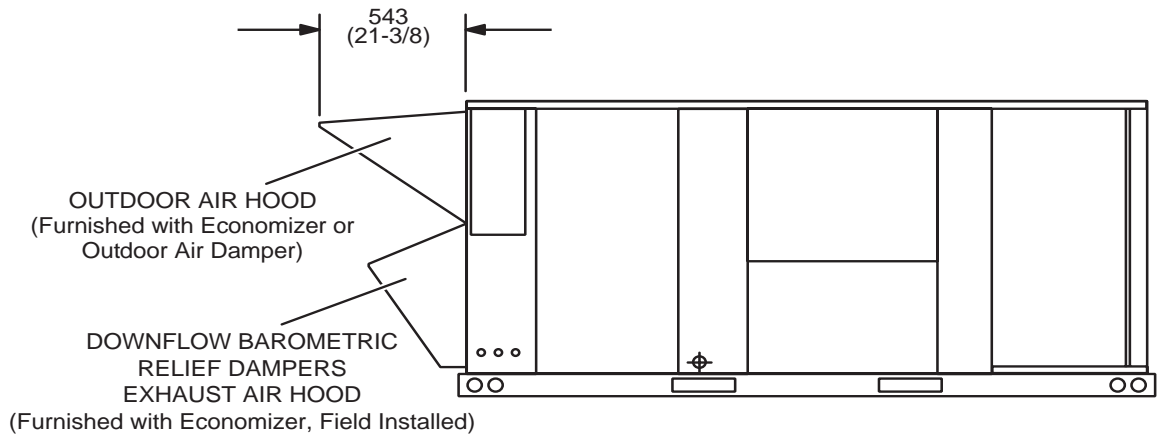
Model No.	CORNER WEIGHTS														CENTER OF GRAVITY									
	AA				BB				CC				DD				EE				FF			
	Base		Max.		Base		Max.		Base		Max.		Base		Max.		Base		Max.		Base		Max.	
	kg	lbs.	kg	lbs.	kg	lbs.	kg	lbs.	kg	lbs.	kg	lbs.	kg	lbs.	kg	lbs.	mm	in.	mm	in.	mm	in.	mm	in.
092	127	281	148	327	114	252	130	286	125	275	139	306	142	312	162	358	1181	46.5	1156	45.5	622	24.5	648	25.5
102	128	282	149	329	115	254	130	287	125	276	139	308	143	314	163	360	1181	46.5	1156	45.5	622	24.5	648	25.5
120	133	294	154	340	120	264	135	297	128	283	144	318	146	321	169	372	1181	46.5	1156	45.5	622	24.5	648	25.5
150	138	304	159	350	124	273	139	306	133	293	148	327	151	332	174	383	1181	46.5	1156	45.5	622	24.5	648	25.5

Base Unit - The unit with NO INTERNAL OPTIONS.

Max. Unit - The unit with ALL INTERNAL OPTIONS Installed. (Economizer, Standard Static Power Exhaust Fans, Controls, etc.). Does not include accessories external to unit or high static power exhaust.



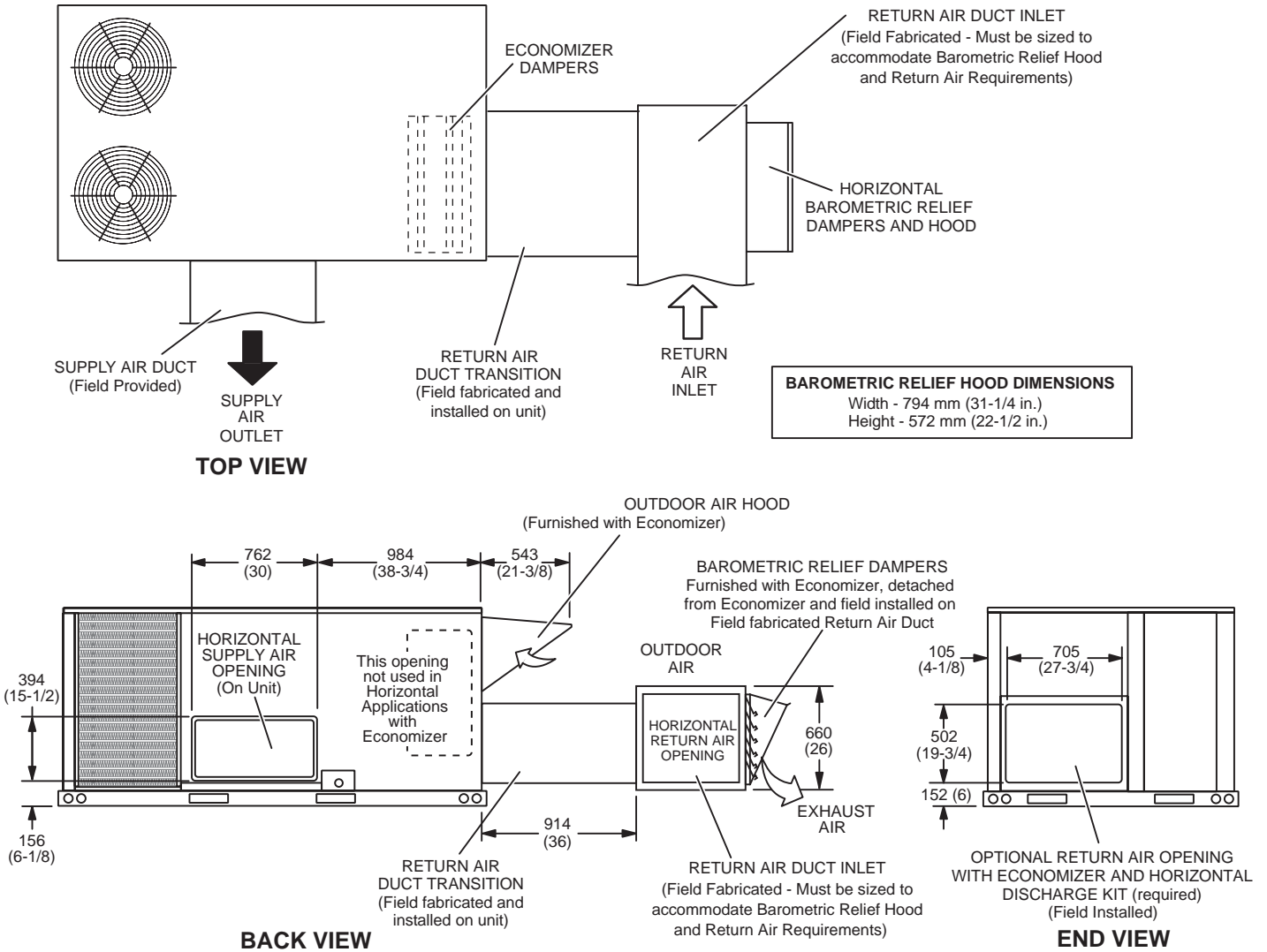
**OUTDOOR AIR HOOD DETAIL**



# DIMENSIONS - ACCESSORIES

## HORIZONTAL ECONOMIZER APPLICATION

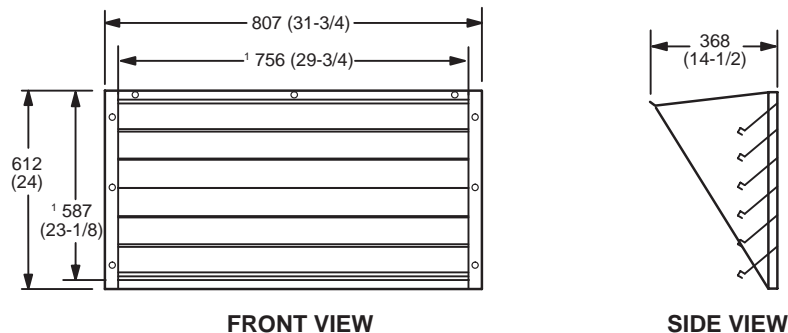
(With Furnished Barometric Relief Dampers and Optional Horizontal Discharge Kit - Required)



**NOTE** - Return Air Duct and Transition must be supported.

## BAROMETRIC RELIEF DAMPERS (Furnished with Economizer)

(Field installed in horizontal return air duct adjacent to unit)



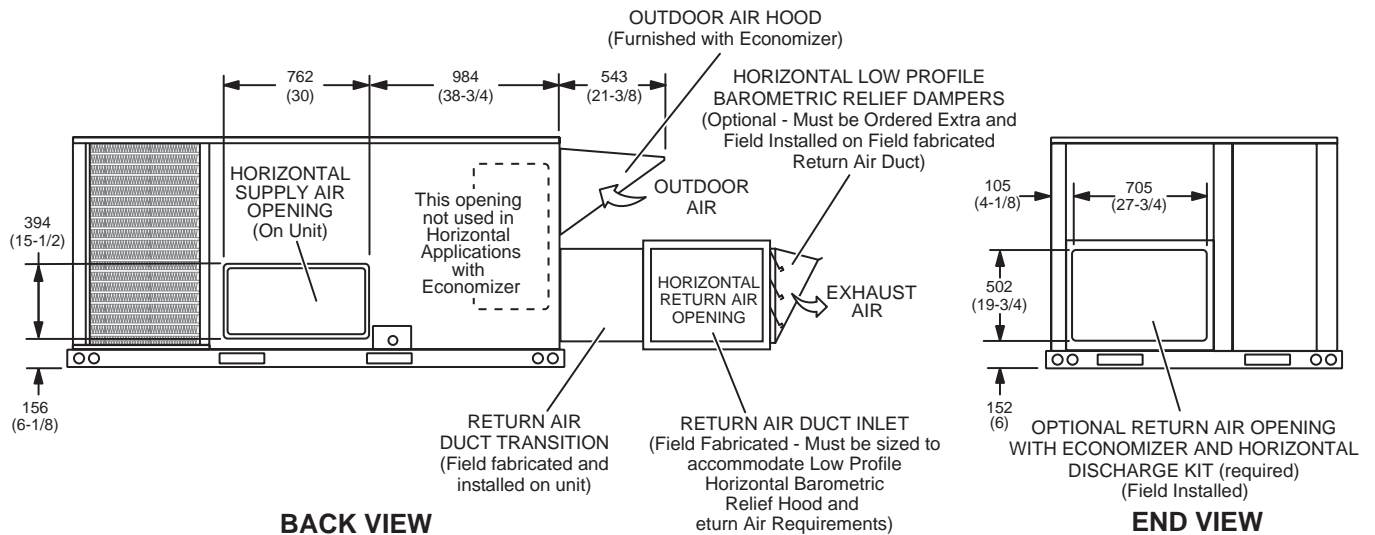
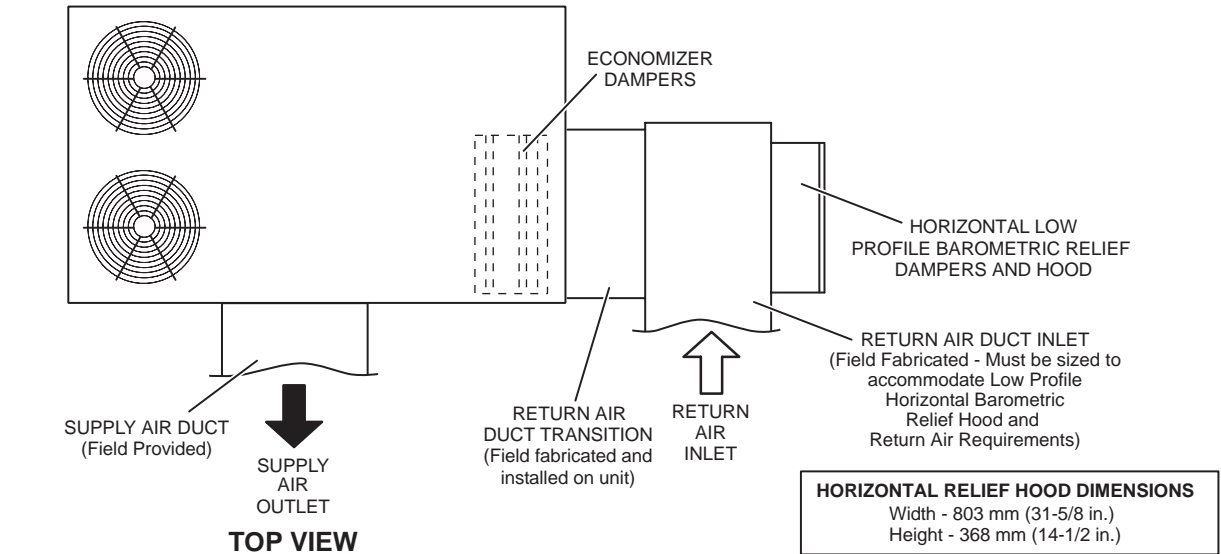
<sup>1</sup> NOTE - Opening size required in return air duct.



## DIMENSIONS - ACCESSORIES

### HORIZONTAL ECONOMIZER APPLICATION

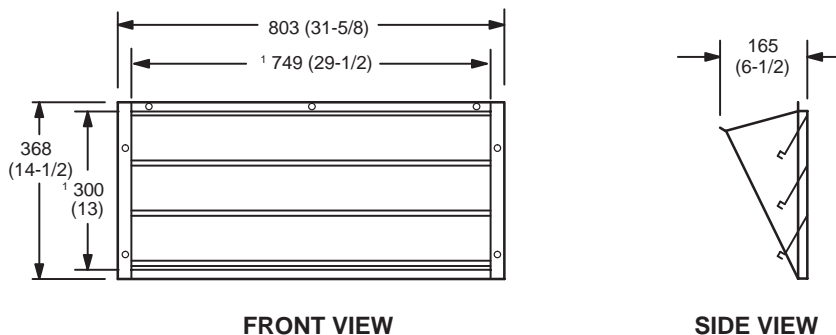
(with Optional Low Profile Horizontal Barometric Relief Dampers and Horizontal Discharge Kit - Required)



**NOTE** - Return Air Duct and Transition must be supported.

### HORIZONTAL LOW PROFILE BAROMETRIC RELIEF DAMPERS

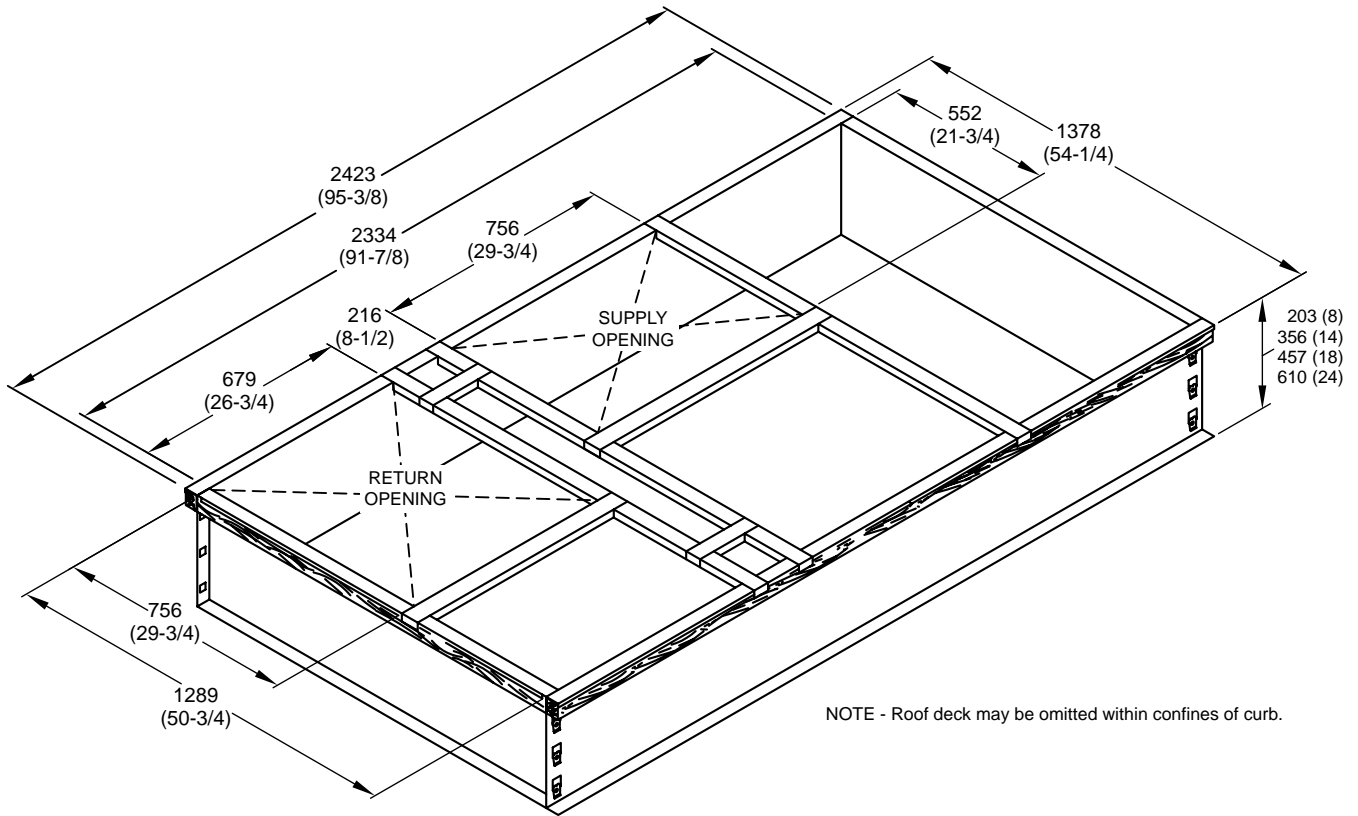
(Field installed in horizontal return air duct adjacent to unit)



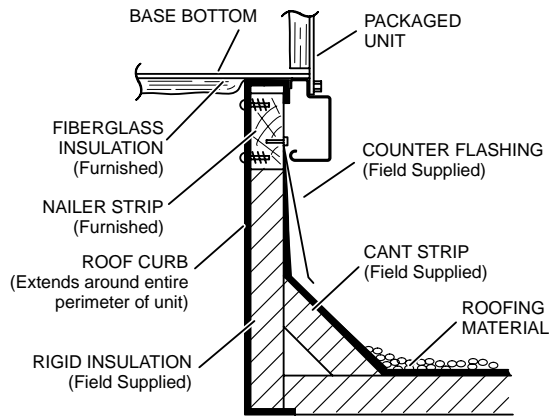
<sup>1</sup> NOTE - Opening size required in return air duct.

# DIMENSIONS - ACCESSORIES

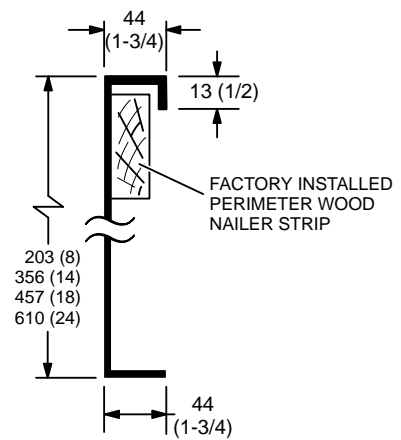
## HYBRID ROOF CURBS - DOUBLE DUCT OPENING



**TYPICAL FLASHING DETAIL FOR ROOF CURB**

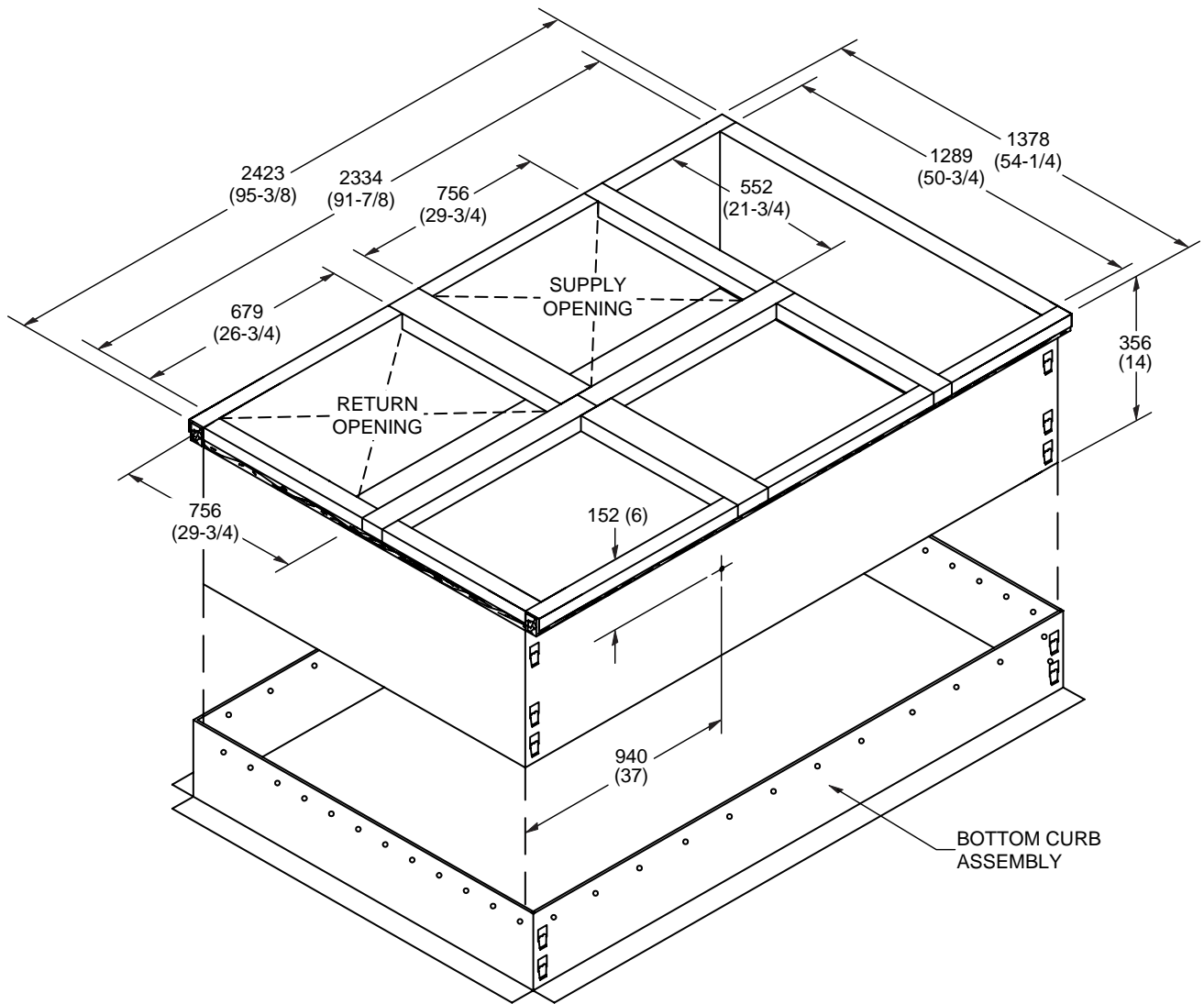


**DETAIL ROOF CURB**



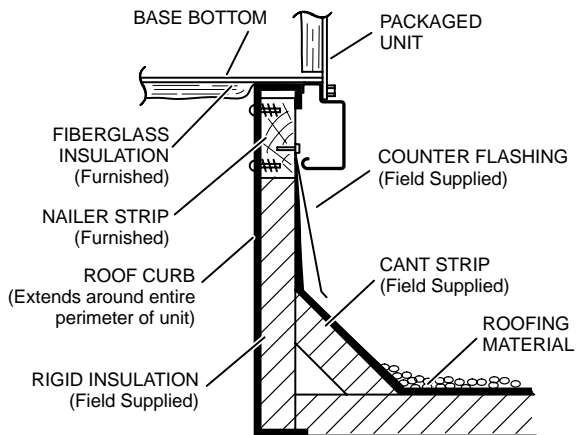
# DIMENSIONS - ACCESSORIES

## ADJUSTABLE PITCH CURBS - DOUBLE DUCT OPENING

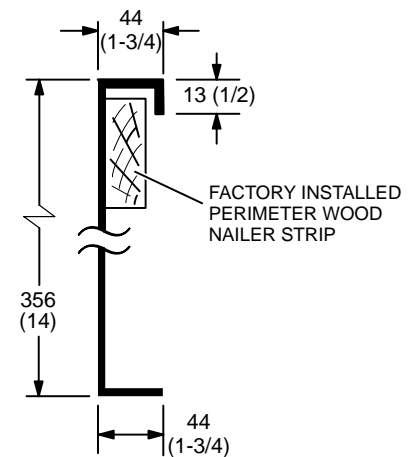


NOTE - Maximum slope pitch is 19 mm per 305 mm (3/4 in. per 1 foot) in any one direction.

### TYPICAL FLASHING DETAIL FOR ROOF CURB



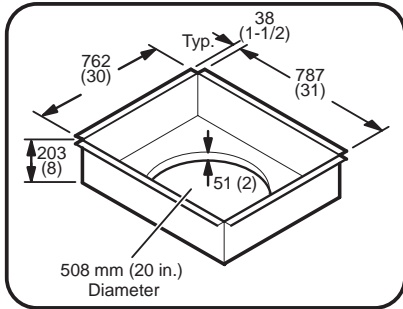
### DETAIL ROOF CURB



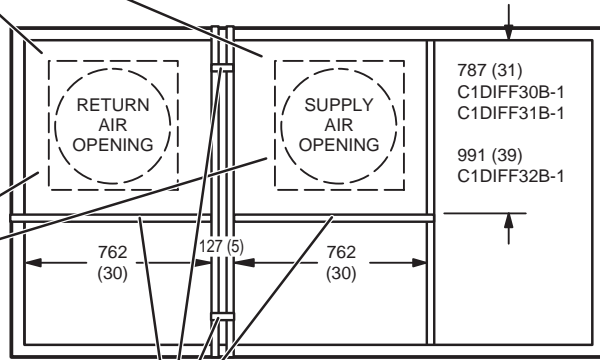
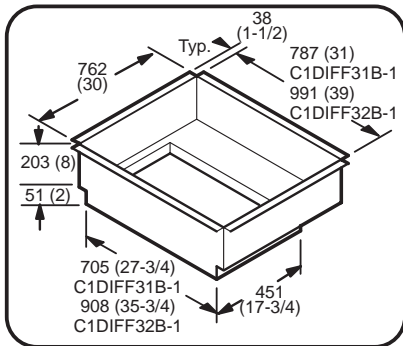
# DIMENSIONS - ACCESSORIES

## ROOF CURBS WITH SUPPLY & RETURN AIR TRANSITIONS FOR CEILING DIFFUSERS

**C1DIFF30B-1 ROUND TRANSITIONS**  
(for 092 models)



**C1DIFF31B-1 & C1DIFF32B-1 RECTANGULAR TRANSITIONS**  
(for 102 thru 150 models)



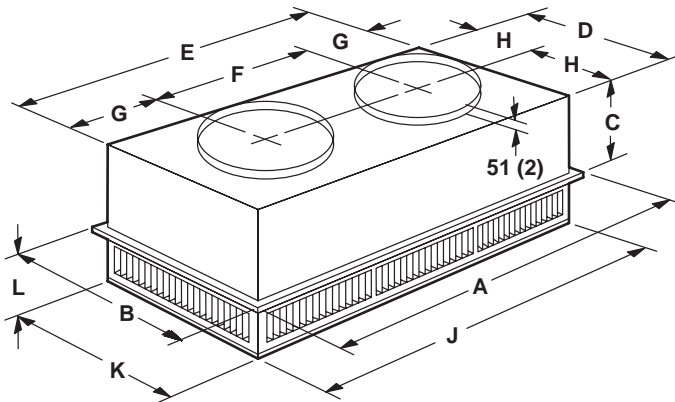
TOP VIEW

NOTE - These four supports are furnished with the transitions to replace supports furnished with curb for proper transition spacing.

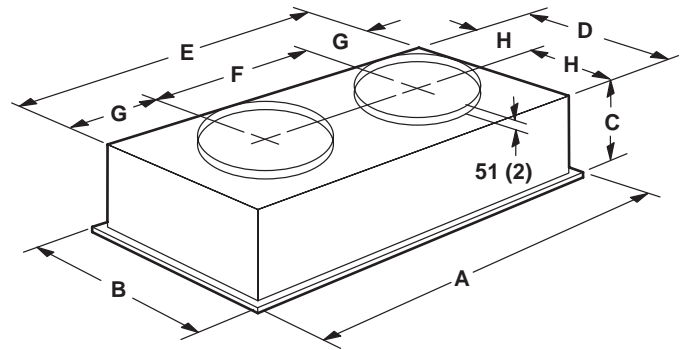
## DIMENSIONS - ACCESSORIES

### COMBINATION CEILING SUPPLY AND RETURN DIFFUSERS

#### STEP-DOWN CEILING DIFFUSER



#### FLUSH CEILING DIFFUSER



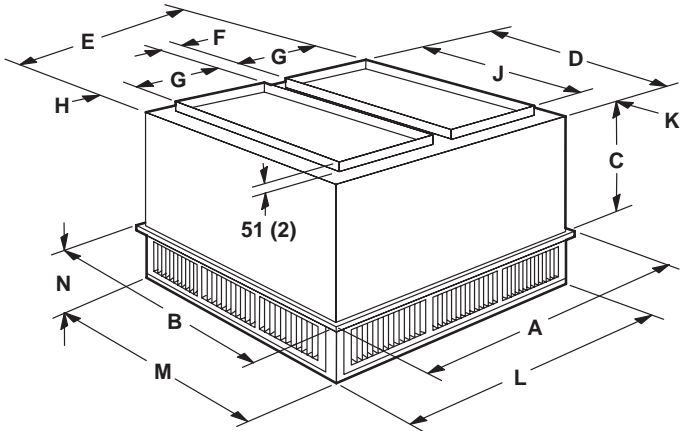
Model Number		RTD11-95S
A	mm	1159
	in.	47-5/8
B	mm	752
	in.	29-5/8
C	mm	365
	in.	14-3/8
D	mm	699
	in.	27-1/2
E	mm	1158
	in.	45-1/2
F	mm	572
	in.	22-1/2
G	mm	292
	in.	11-1/2
H	mm	349
	in.	13-3/4
J	mm	1156
	in.	45-1/2
K	mm	699
	in.	27-1/2
L	mm	206
	in.	8-1/8
Duct Size	mm	508 round
	in.	20 round

Model Number		FD11-95S
A	mm	1159
	in.	47-5/8
B	mm	752
	in.	29-5/8
C	mm	422
	in.	16-5/8
D	mm	686
	in.	27
E	mm	1143
	in.	45
F	mm	22-1/2
	in.	572
G	mm	286
	in.	11-1/4
H	mm	343
	in.	13-1/2
Duct Size	mm	508 round
	in.	20 round

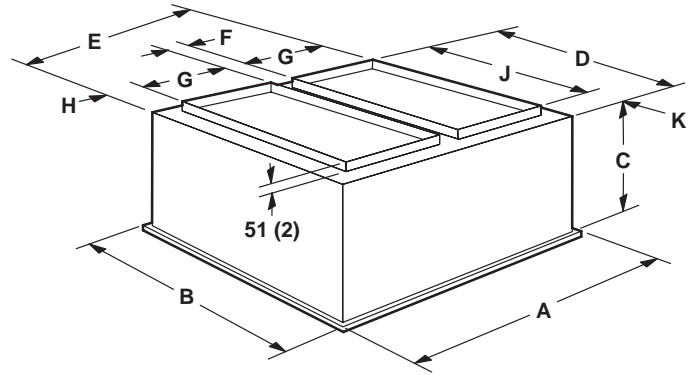
## DIMENSIONS - ACCESSORIES

### COMBINATION CEILING SUPPLY AND RETURN DIFFUSERS

#### STEP-DOWN CEILING DIFFUSER



#### FLUSH CEILING DIFFUSER



Model Number		RTD11-135S	RTD11-185S
A	mm	1210	1210
	in.	47-5/8	47-5/8
B	mm	905	1210
	in.	35-5/8	47-5/8
C	mm	524	625
	in.	20-5/8	24-5/8
D	mm	851	1156
	in.	33-1/2	45-1/2
E	mm	1156	1156
	in.	45-1/2	45-1/2
F	mm	114	114
	in.	4-1/2	4-1/2
G	mm	457	457
	in.	18	18
H	mm	64	64
	in.	2-1/2	2-1/2
J	mm	711	914
	in.	28	36
K	mm	70	121
	in.	2-3/4	4-3/4
L	mm	1156	1156
	in.	45-1/2	45-1/2
M	mm	851	1156
	in.	33-1/2	45-1/2
N	mm	232	257
	in.	9-1/8	10-1/8
Duct Size	mm	457 x 711	457 x 914
	in.	18 x 28	18 x 36

Model Number		FD11-135S	FD11-185S
A	mm	1210	1210
	in.	47-5/8	47-5/8
B	mm	905	1210
	in.	35-5/8	47-5/8
C	mm	591	743
	in.	23-1/4	29-1/4
D	mm	838	1143
	in.	33	45
E	mm	1143	1143
	in.	45	45
F	mm	112	112
	in.	4-1/2	4-1/2
G	mm	457	457
	in.	18	18
H	mm	57	57
	in.	2-1/4	2-1/4
J	mm	711	914
	in.	28	36
K	mm	64	114
	in.	2-1/2	4-1/2
Duct Size	mm	457 x 711	457 x 914
	in.	18 x 28	18 x 36



## REVISIONS

Section	Description
Electrical Data	Updated for LCH092, 102 models.
Specifications	Refrigerant charge updated for LCH092, 102 models.



Visit us at [www.lennox.com](http://www.lennox.com)

For the latest technical information, [www.lennoxcommercial.com](http://www.lennoxcommercial.com)

Contact us at 1-800-4-LENNOX

NOTE - Due to Lennox' ongoing commitment to quality, Specifications, Ratings and Dimensions subject to change without notice and without incurring liability. Improper installation, adjustment, alteration, service or maintenance can cause property damage or personal injury. Installation and service must be performed by a qualified installer and servicing agency.

©2020 Lennox Industries, Inc.