

<b>88K52</b>	<b>INSTALLATION INSTRUCTIONS</b>
KITS COMMON TO COOLING AND HEAT PUMP EQUIPMENT	COIL GUARDS FOR LGA/LGC/LCA/LCC 156-300 UNITS

**APPLICATION**

The Coil Guard (88K52) is designed to prevent damage to the condenser coil of the HVAC unit. The following parts are included in the package:

**SHIPPING AND PACKING LIST**

- 1 ea. - Coil Guard
- 1 ea. - Hardware Package
  - 1 ea - Installation Instruction
  - 6 ea - #10 - 1/2" Self Drilling Screws

**CAUTION!!**

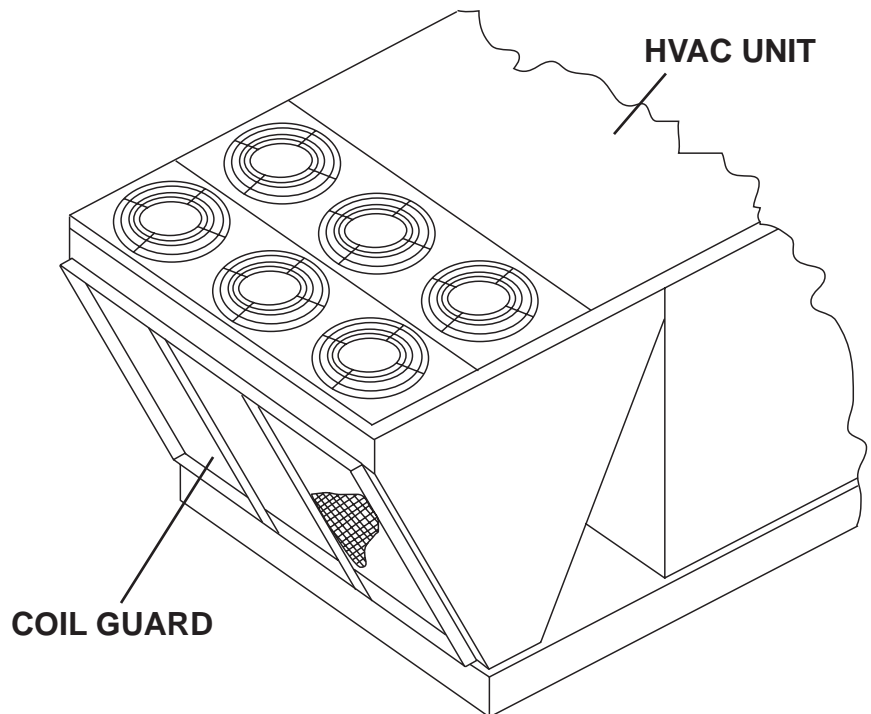
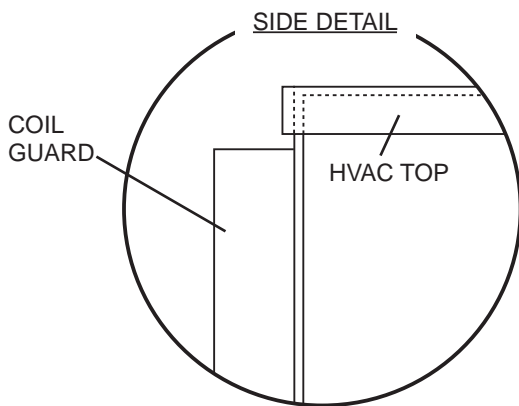
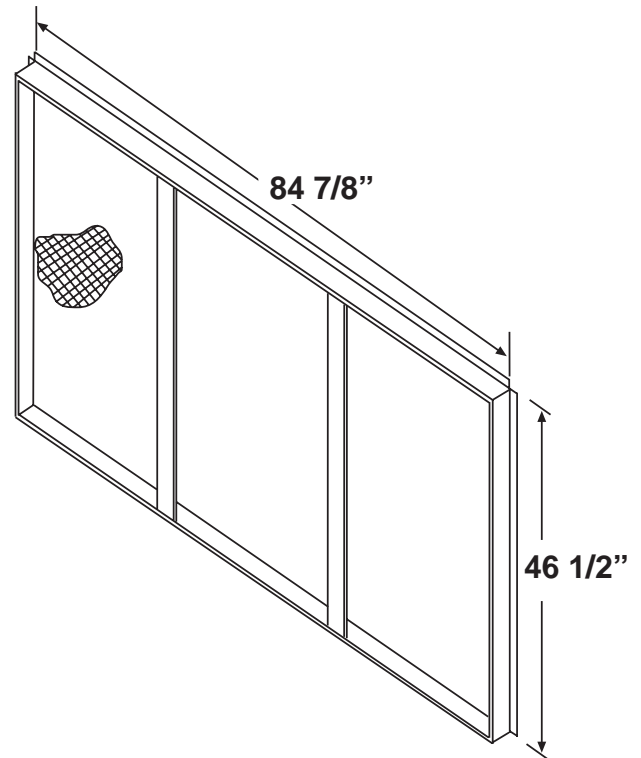
WHEN INSTALLING GUARD, USE CARE TO NOT PUNCTURE CONDENSER COIL

**INSTALLATION**

**STEP 1:**

Center Coil Guard over condenser coil and align holes in sides of coil guard to the holes on the rooftop unit. Secure coil guard to the rooftop unit using the supplied screws. See Figure 1.

**NOTE: To avoid damage to coil, never use screws longer than 1/2".**



**FIGURE 1**