

50W67	INSTALLATION INSTRUCTIONS
KITS COMMON TO COOLING AND HEAT PUMP EQUIPMENT	COIL GUARDS FOR SCA / SGA 036,060

APPLICATION

The Coil Guard (50W67) is designed to prevent damage to the condenser coil of the HVAC unit. The following parts are included in the package:

SHIPPING AND PACKING LIST

- 1 ea. - Coil Guard
- 1 ea. - Installation Instructions

CAUTION

WHEN INSTALLING GUARD, USE CARE TO NOT PUNCTURE CONDENSER COIL

INSTALLATION

STEP 1:

Center Coil Guard over condensor coil and align holes in sides of coil guard to the holes on the rooftop unit. Secure coil guard to the rooftop unit using the holes/screws in HVAC unit. DO NOT REMOVE screws that fall inside slots on both left and right sides. See Figure 1.

NOTE: To avoid coil damage, never use screws longer than 1/2".

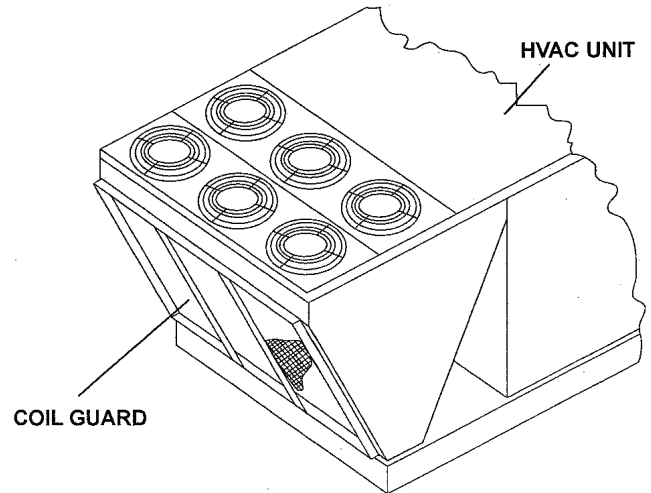
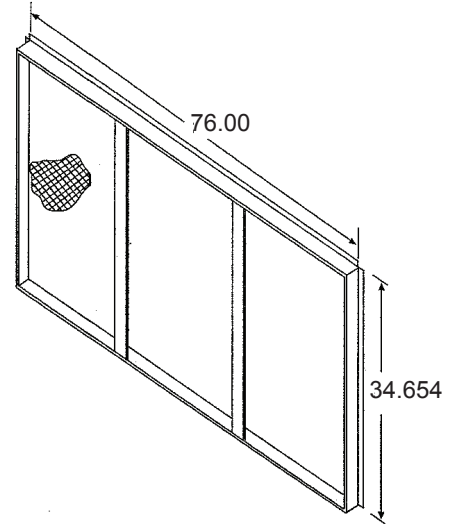
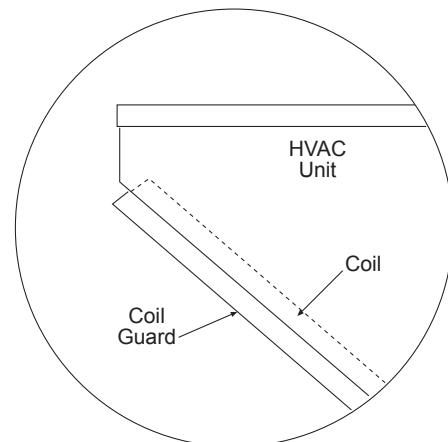


FIGURE 1



SIDE DETAIL