



# PARTS AND OPTIONAL ACCESSORIES

## GSB8-E

Standard-efficiency, gas-fired steam boiler

---



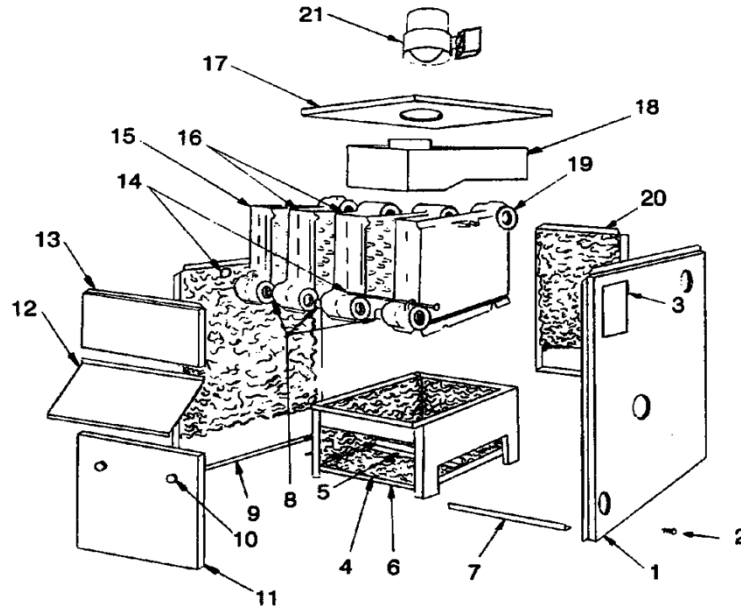
GSB8-E, GSB8-S, CVSB, CSB, CPVSB  
and CPSB Series

---

## Repair Parts for GSB8-E, GSB8-S, CVSB, CSB, CPVSB and CPSB Series Jacket Section and Base Parts 075 - 187

**Notes:**  
When ordering parts, supply model number, part number required and description.

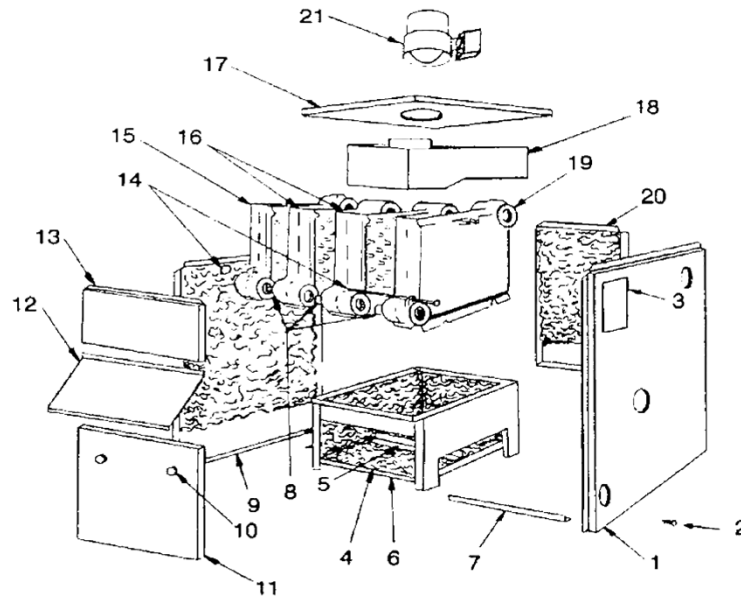
Dunkirk part numbers shown in SAP may be superseded by Dunkirk numbers listed here. You can still use the SAP catalogue numbers shown on this list.



\* When ordering replacement blocks a complete block assembly must be

KEY No.	Description	NATURAL GAS / LP							
		3 SECTION		4 SECTION		5 SECTION		6 SECTION	
		GSB8-075 E/S		GSB8-112 E/S		GSB8-150 E/S		GSB8-187 E/S	
		Part No.	Lennox Cat #	Part No.	Lennox Cat #	Part No.	Lennox Cat #	Part No.	Lennox Cat #
1	Jacket, Right Side Panel	425-00-801	Call	425-00-801	Call	425-00-801	Call	425-00-801	Call
2	#10 x 1/2 Sheet Metal Screw	146-95-074	Call	146-95-074	Call	146-95-074	Call	146-95-074	Call
3	Rating Plate	146-80-001	Call	146-80-001	Call	146-80-001	Call	146-80-001	Call
4	Base Insulation - Base Sides (2)	146-14-130	Call	146-14-130	Call	146-14-130	Call	146-14-130	Call
	- Base Front	146-14-113	Call	146-14-114	Call	146-14-115	Call	146-14-116	Call
	- Base Rear	146-14-123	Call	146-14-124	Call	146-14-125	Call	146-14-126	Call
5	Base Baffle	425-00-643	Call	425-00-644	Call	425-00-645	Call	425-00-646	Call
6	Base	425-00-663	Call	425-00-664	Call	425-00-665	Call	425-00-666	Call
7	Jacket Tie Bar	425-00-653	Call	425-00-654	Call	425-00-655	Call	425-00-656	Call
8	Push Nipple	433-00-976	Call	433-00-976	Call	433-00-976	Call	433-00-976	Call
9	Jacket, Left Side Panel	425-00-800	Call	425-00-800	Call	425-00-800	Call	425-00-800	Call
10	Knob, Service Door (Pair)	137-02-153	Call	137-02-153	Call	137-02-153	Call	137-02-153	Call
11	Jacket, Service Door	425-00-823	Call	425-00-824	Call	425-00-825	Call	425-00-826	Call
12	Jacket, Int'd. Panel	425-00-813	Call	425-00-814	Call	425-00-815	Call	425-00-816	Call
13	Jacket, Front Panel	425-00-811	Call	425-00-804	Call	425-00-805	Call	425-00-806	Call
14	1/4" Tie Rod, Nut	146-05-001	Call	146-05-002	Call	146-05-051	Call	146-05-053	Call
15	* Boiler Section, Left	410-00-013	Call	410-00-013	Call	410-00-013	Call	410-00-013	Call
16	* Boiler Section, Middle	410-00-015	Call	410-00-015	Call	410-00-015	Call	410-00-015	Call
17	Jacket, Top Panel	425-00-843	Call	425-00-843	Call	425-00-845	Call	425-00-846	Call
18	Draft Diverter	425-00-673	Call	425-00-674	Call	425-00-675	Call	425-00-676	Call
19	* Boiler Section, Right	410-00-014	Call	410-00-014	Call	410-00-014	Call	410-00-014	Call
20	Jacket, Back Panel	425-00-833	Call	425-00-834	Call	425-00-835	Call	425-00-836	Call
NS	Jacket Complete	425-00-873	Call	425-00-874	Call	425-00-875	Call	425-00-876	Call
NS	Block Assembly (19, 16, 15, 14, 8)	410-00-330	Call	410-00-430	Call	410-00-530	Call	410-00-630	Call
NS	Combustible Floor Plate	146-14-031	Call	146-14-031	Call	146-14-031	Call	146-14-031	Call
NS	Cerafelt Gasket	146-14-018	Call	146-14-018	Call	146-14-018	Call	146-14-018	Call
21	Vent Damper	240006937	10D78	240006938	75Y13	240006938	75Y13	240006939	75y14
NS	Base Assembly (6, 5, 4)	433-00-663	Call	433-00-664	Call	433-00-665	Call	433-00-666	Call

## Repair Parts for GSB8-E, GSB8-S, CVSB, CSB, CPVSB and CPSB Series Jacket Section and Base Parts 225 - 299



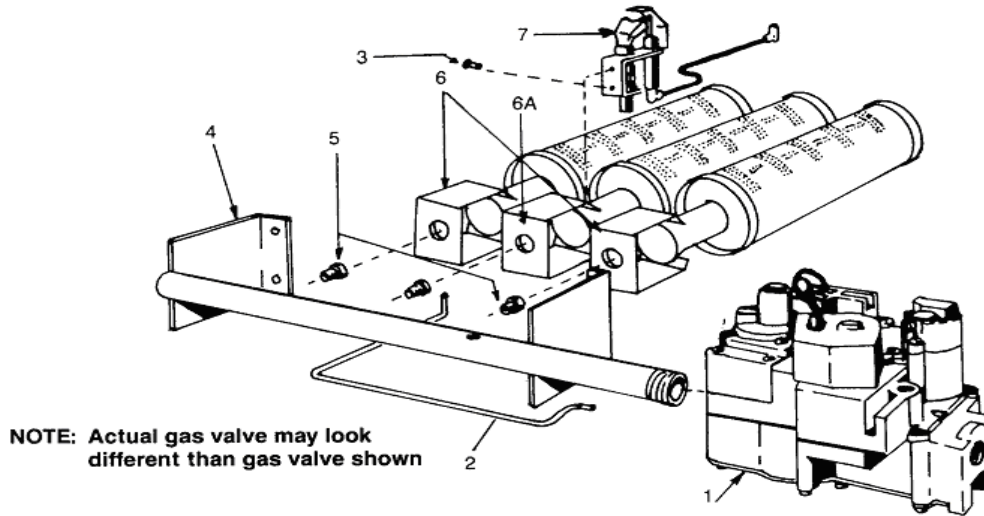
\* When ordering replacement blocks a complete block assembly must be

KEY No.	Description	NATURAL GAS / LP					
		7 SECTION		8 SECTION		9 SECTION	
		GSB8-225 E/S		GSB8-262 E/S		GSB8-299 E/S	
		Part No.	Lennox Cat #	Part No.	Lennox Cat #	Part No.	Lennox Cat #
1	Jacket, Right Side Panel	425-00-801	Call	425-00-801	Call	425-00-801	Call
2	#10 x 1/2 Sheet Metal Screw	146-95-074	Call	146-95-074	Call	146-95-074	Call
3	Rating Plate	146-80-001	Call	146-80-001	Call	146-80-001	Call
4	Base Insulation - Base Sides (2)	146-14-130	Call	146-14-130	Call	146-14-130	Call
	- Base Front	146-14-117	Call	146-14-118	Call	146-14-119	Call
	- Base Rear	146-14-127	Call	146-14-128	Call	146-14-129	Call
5	Base Bflr	425-00-647	Call	425-00-648	Call	425-00-649	Call
6	Base	425-00-667	Call	425-00-668	Call	425-00-669	Call
7	Jacket Tie Bar	425-00-657	Call	425-00-658	Call	425-00-659	Call
8	Push Nipple	433-00-976	Call	433-00-976	Call	433-00-976	Call
9	Jacket, Left Side Panel	425-00-800	Call	425-00-800	Call	425-00-800	Call
10	Knob, Service Door (Pair)	137-02-153	Call	137-02-153	Call	137-02-153	Call
11	Jacket, Service Door	425-00-827	Call	425-00-828	Call	425-00-829	Call
12	Jacket, Int'd. Panel	425-00-817	Call	425-00-818	Call	425-00-819	Call
13	Jacket, Front Panel	425-00-807	Call	425-00-808	Call	425-00-809	Call
14	1/4" Tie Rod, Nut	146-05-005	Call	146-05-007	Call	146-05-009	Call
15	* Boiler Section, Left	410-00-013	Call	410-00-013	Call	410-00-013	Call
16	* Boiler Section, Middle	410-00-015	Call	410-00-015	Call	410-00-015	Call
17	Jacket, Top Panel	425-00-847	Call	425-00-848	Call	425-00-849	Call
18	Drt Diverter	425-00-677	Call	425-00-678	Call	425-00-679	Call
19	* Boiler Section, Right	410-00-014	Call	410-00-014	Call	410-00-014	Call
20	Jacket, Back Panel	425-00-837	Call	425-00-838	Call	425-00-839	Call
NS	Jacket Complete	425-00-877	Call	425-00-878	Call	425-00-879	Call
NS	Block Assembly (19, 16, 15, 14, 8)	410-00-730	Call	410-00-830	Call	410-00-930	Call
NS	Combustible Floor Plate	146-14-032	Call	146-14-032	Call	146-14-032	Call
21	Cerelt Gasket	146-14-018	Call	146-14-018	Call	146-14-018	Call
NS	Vent Damper	240006939	75Y14	240006939	75Y14	240006939	75Y14
NS	Base Assembly (6, 5, 4)	433-00-667	Call	433-00-668	Call	433-00-669	Call

**Notes:**  
When ordering parts, supply model number, part number required and description.

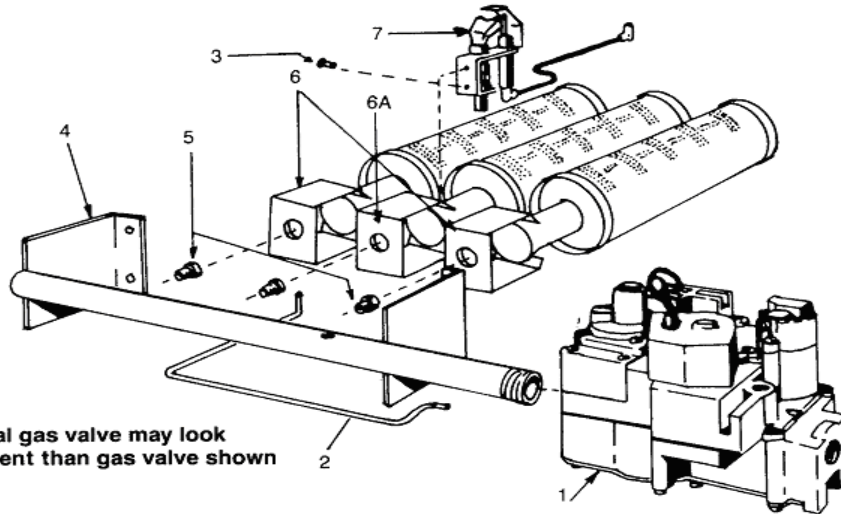
Dunkirk part numbers shown in SAP may be superseded by Dunkirk numbers listed here. You can still use the SAP catalogue numbers shown on this list.

## Repair Parts for GSB8-E, GSB8-S, CVSB, CSB, CPVSB and CPSB Series Natural Gas Burner and Manifold Parts 075 - 187



KEY No.	Description	NATURAL GAS							
		3 SECTION GSB8-075 E/S		4 SECTION GSB8-112 E/S		5 SECTION GSB8-150 E/S		6 SECTION GSB8-187 E/S	
		Part No.	Lennox Cat #	Part No.	Lennox Cat #	Part No.	Lennox Cat #	Part No.	Lennox Cat #
<b>Parts For Electronic Ignition Only (GSB8-E, CSB and CPSB)</b>									
1	24 Volt Gas Valve, Elect.	146-62-052	74P70	146-62-052	74P70	146-62-052	74P70	146-62-058	74P71
2	Pilot Tube (1/8" dia.)	146-15-005	Call	146-15-005	Call	146-15-005	Call	146-15-005	Call
2	Pilot Tubing Kit C/W Fittings	433-00-201	Call	433-00-201	Call	433-00-201	Call	433-00-201	Call
3	10-32 x 1/2 Hex Head Screw	146-95-307	Call	146-95-307	Call	146-95-307	Call	146-95-307	Call
4	Gas Manifold	146-16-033	Call	146-16-034	Call	146-16-035	Call	146-16-013	Call
5	Main Burner Orifice *	146-15-031	Call	146-15-031	Call	146-15-031	Call	146-15-035	Call
6	Main Burner, Regular **	146-15-532	99X96	146-15-532	99X96	146-15-532	99X96	146-15-532	99X96
6A	Main Burner, Pilot Mount	146-15-531	X1849	146-15-531	X1849	146-15-531	X1849	146-15-531	X1849
7	Pilot Burner	146-62-092	70N68	146-62-092	70N68	146-62-092	70N68	146-62-092	70N68
NS	Rollout Shield	425-00-933	Call	425-00-934	Call	425-00-935	Call	425-00-936	Call
<b>Parts For Standing Pilot Only (GSB8-S, CVSB and CPVSB)</b>									
1	24 Volt Gas Valve	146-62-051	Call	146-62-051	Call	146-62-051	Call	146-62-060	75P29
3	10-32 x 1/2" Hex Head Screw (2)	146-95-307	Call	146-95-307	Call	146-95-307	Call	146-95-307	Call
7	Pilot Burner	146-62-053	Call	146-62-053	Call	146-62-053	Call	146-62-053	Call
NS	Thermocouple	146-62-037	\$ -	146-62-039	10P29	146-62-039	10P29	146-62-039	10P29

## Repair Parts for GSB8-E, GSB8-S, CVSB, CSB, CPVSB and CPSB Series Natural Gas Burner and Manifold Parts 225 - 299



**NOTE: Actual gas valve may look different than gas valve shown**

KEY No.	Description	NATURAL GAS					
		7 SECTION		8 SECTION		9 SECTION	
		GSB8-225 E/S		GSB8-262 E/S		GSB8-299 E/S	
		Part No.	Lennox Cat #	Part No.	Lennox Cat #	Part No.	Lennox Cat #
<b>Parts For Electronic Ignition Only (GSB8-E, CSB and CPSB)</b>							
1	24 Volt Gas Valve, Elect.	146-62-058	74P71	146-62-058	74P71	146-62-058	74P71
2	Pilot Tube (1/8" dia.)	146-15-005	Call	146-15-006	Call	146-15-006	Call
2	Pilot Tubing Kit C/W Fittings	433-00-201	Call	433-00-200	Call	433-00-200	Call
3	10-32 x 1/2 Hex Head Screw	146-95-307	Call	146-95-307	Call	146-95-307	Call
4	Gas Manifold	146-16-014	Call	146-16-015	Call	146-16-016	Call
5	Main Burner Orifice *	146-15-035	Call	146-15-035	Call	146-15-035	Call
6	Main Burner, Regular **	146-15-532	99X96	146-15-532	99X96	146-15-532	99X96
6A	Main Burner, Pilot Mount	146-15-531	X1849	146-15-531	X1849	146-15-531	X1849
7	Pilot Burner	146-62-092	70N68	146-62-092	70N68	146-62-092	70N68
NS	Rollout Shield	425-00-937	Call	425-00-938	Call	425-00-939	Call
<b>Parts For Standing Pilot Only (GSB8-S, CVSB and CPVSB)</b>							
1	24 Volt Gas Valve	146-62-060	75P29	146-62-060	75P29	146-62-060	75P29
3	10-32 x 1/2" Hex Head Screw (2)	146-95-307	Call	146-95-307	Call	146-95-307	Call
7	Pilot Burner	146-62-053	Call	146-62-053	Call	146-62-053	Call
NS	Thermocouple	146-62-039	10P29	146-62-036	10P28	146-62-036	10P28

- Quantity required is 1 unless otherwise indicated

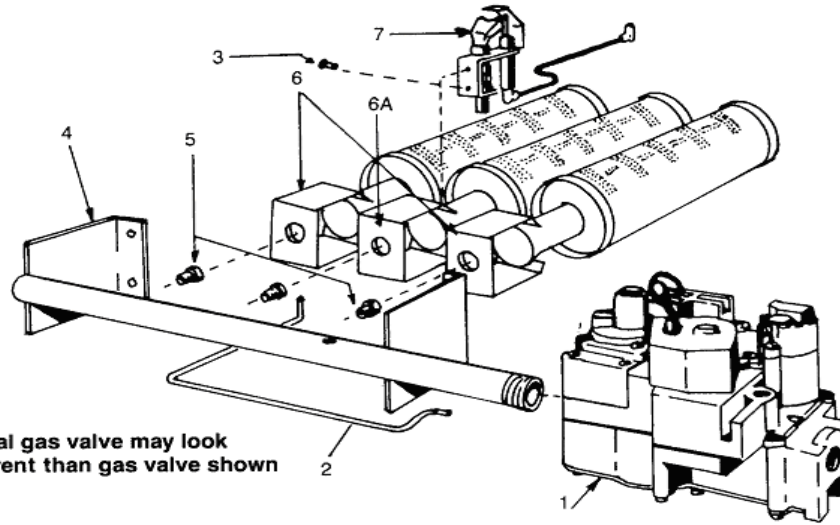
\* Requires 1 less than the number of sections

\*\* Requires 2 less than the number of sections

## Repair Parts for GSB8-E, GSB8-S, CVSB, CSB, CPVSB and CPSB Series Propane Burner and Manifold Parts 075 - 187

- Quantity required is 1 unless otherwise indicated

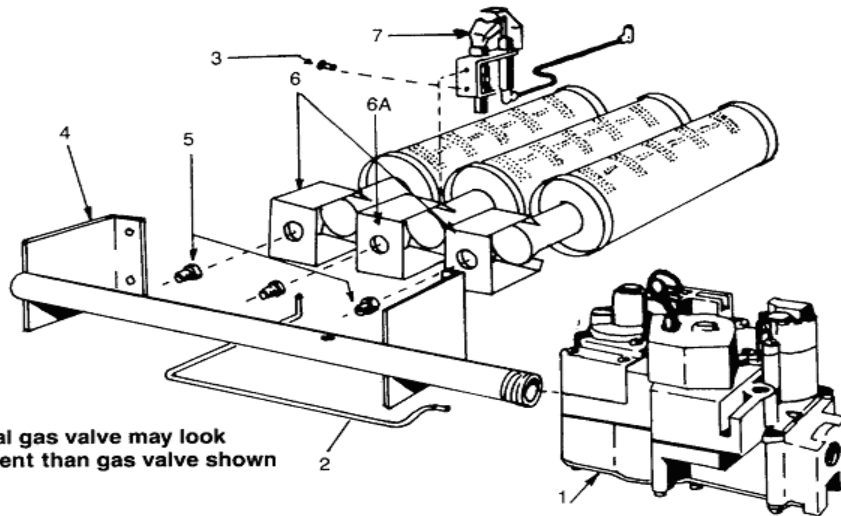
\* Requires 1 less than the number of sections



**NOTE: Actual gas valve may look different than gas valve shown**

KEY No.	Description	PROPANE							
		3 SECTION		4 SECTION		5 SECTION		6 SECTION	
		GSB8-075 E/S		GSB8-112 E/S		GSB8-150 E/S		GSB8-187 E/S	
Part No.	Lennox Cat #	Part No.	Lennox Cat #	Part No.	Lennox Cat #	Part No.	Lennox Cat #		
<b>Parts For Electronic Ignition Only (GSB8-E, CSB and CPSB)</b>									
1	24 Volt Gas Valve, Elect.	550002740	10F02	550002740	10F02	550002740	10F02	550002259	74P97
2	Pilot Tube (1/8" dia.)	146-15-005	Call	146-15-005	Call	146-15-005	Call	146-15-005	Call
2	Pilot Tubing Kit C/W Fittings	433-00-201	Call	433-00-201	Call	433-00-201	Call	433-00-201	Call
3	10-32 x 1/2 Hex Head Screw	146-95-301	Call	146-95-301	Call	146-95-301	\$1.00	146-95-301	\$1.00
4	Gas Manifold	146-16-010	Call	146-16-011	Call	146-16-012	Call	146-16-013	Call
5	Main Burner Orifice *	146-15-036	Call	146-15-036	Call	146-15-036	Call	146-15-036	Call
6	Main Burner, Regular **	146-15-532	99X96	146-15-532	99X96	146-15-532	99X96	146-15-532	99X96
6A	Main Burner, Pilot Mount	146-15-531	X1849	146-15-531	X1849	146-15-531	X1849	146-15-531	X1849
7	Pilot Burner	146-62-094	71N72	146-62-094	71N72	146-62-094	71N72	146-62-094	71N72
NS	Rollout Shield	425-00-933	Call	425-00-934	Call	425-00-935	Call	425-00-936	Call
<b>Parts For Standing Pilot Only (GSB8-S, CVSB and CPVSB)</b>									
1	24 Volt Gas Valve	146-62-061	Call	146-62-061	Call	146-62-061	Call	146-62-061	Call
3	10-32 x 1/2" Hex Head Screw (2)	146-95-307	Call	146-95-307	Call	146-95-307	Call	146-95-307	Call
7	Pilot Burner	146-62-096	Call	146-62-096	Call	146-62-096	Call	146-62-096	Call
NS	Thermocouple	146-62-037	Call	146-62-039	10P29	146-62-039	10P29	146-62-039	10P29

## Repair Parts for GSB8-E, GSB8-S, CVSB, CSB, CPVSB and CPSB Series Propane Burner and Manifold Parts 225 - 299



**NOTE: Actual gas valve may look different than gas valve shown**

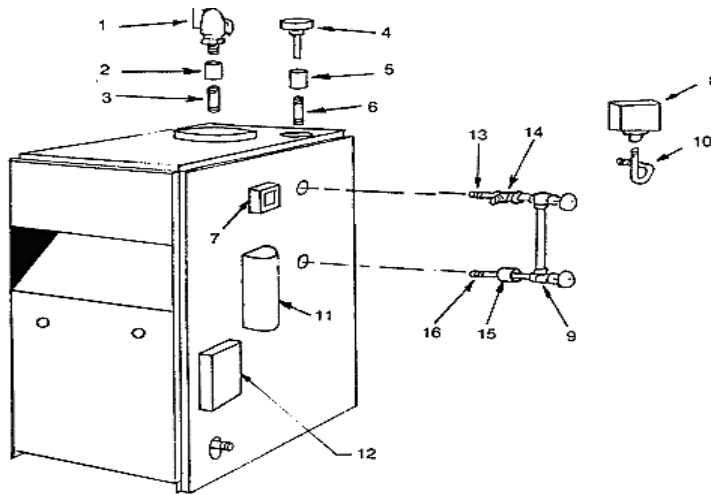
KEY No.	Description	PROPANE					
		7 SECTION		8 SECTION		9 SECTION	
		GSB8-225 E/S		GSB8-262 E/S		GSB8-299 E/S	
		Part No.	Lennox Cat #	Part No.	Lennox Cat #	Part No.	Lennox Cat #
<b>Parts For Electronic Ignition Only (GSB8-E, CSB and CPSB)</b>							
1	24 Volt Gas Valve, Elect.	550002259	74P97	550002259	74P97	550002259	74P97
2	Pilot Tube (1/8" dia.)	146-15-005	Call	146-15-006	Call	146-15-006	Call
2	Pilot Tubing Kit C/W Fittings	433-00-201	Call	433-00-200	Call	433-00-200	Call
3	10-32 x 1/2 Hex Head Screw	146-95-301	Call	146-95-301	Call	146-95-301	Call
4	Gas Manifold	146-16-014	Call	146-16-015	Call	146-16-016	Call
5	Main Burner Orifice *	146-15-036	Call	146-15-036	Call	146-15-036	Call
6	Main Burner, Regular **	146-15-532	99X96	146-15-532	99X96	146-15-532	99X96
6A	Main Burner, Pilot Mount	146-15-531	X1849	146-15-531	X1849	146-15-531	X1849
7	Pilot Burner	146-62-094	71N72	146-62-094	71N72	146-62-094	71N72
NS	Rollout Shield	425-00-937	Call	425-00-938	Call	425-00-939	Call
<b>Parts For Standing Pilot Only (GSB8-S, CVSB and CPVSB)</b>							
1	24 Volt Gas Valve	146-62-061	Call	146-62-061	Call	146-62-061	Call
3	10-32 x 1/2" Hex Head Screw (2)	146-95-307	Call	146-95-307	Call	146-95-307	Call
7	Pilot Burner	146-62-096	Call	146-62-096	Call	146-62-096	Call
NS	Thermocouple	146-62-039	10P29	146-62-036	10P28	146-62-036	10P28

- Quantity required is 1 unless otherwise indicated

\* Requires 1 less than the number of sections

\*\* Requires 2 less than

## Repair Parts for GSB8-E, GSB8-S, CVSB, CSB, CPVSB and CPSB Series Boiler Controls and Piping



KEY No.	Description	Part No.	Lennox Cat #
1	3/4" Pop Safety Valve	1570001	Call
2	3/4" Coupling	1150001	Call
3	3/4" x 6 1/2" Nipple	146-07-002	Call
4	Steam Pressure Gauge	146-23-005	75P98
5	1/4" Coupling	146-93-054	Call
6	1/4" x 3" Nipple	146-07-001	Call
7	AT 140D Transformer, 24 Volt	146-62-045	Call
8	PA-404A Pressuretrol	146-62-015	98E80
9	Glass Water Gauge Set (used with PS-802)	146-22-005	51X59
NS	Glass Water Gauge Set (used with 67D-1 LWCO)	146-22-010	Call
10	90° Pigtail (used with PS-802 LWCO)	146-43-004	Call
NS	180° Pigtail (used with 67D-1 LWCO)	146-43-005	Call
11	PS-802 Low Water Cut-Off (When 146-26-041 is depleted it will sub to 433-00-522)	433-00-522	Call
NS	67D-1 Low Water Cut-Off	146-26-042	Call
12	Intermittent Pilot Control -(HN S8600M or UTC1003-620)	146-62-070	92X30
13	1/2" x 3" Brass Nipple (PS-802 only)	1310003	#N/A
14	1/2" x 1/2" x 1/4" Brass Tee (PS-802 only)	146-93-051	#N/A
15	1/2" Brass Coupling (PS-802 only)	146-93-052	#N/A
16	1/2" x 3 1/2" Brass Nipple (PS-802 only)	146-07-024	#N/A
NS	3/4" Drain Valve	146-22-001	Call
NS	WF-2U-24 Water Feeder (Optional) (Was 146-26-040 & 146-26-003)	1630001	98E36
NS	Rollout Switch	146-29-002	Call
NS	Spill Switch (36TX16-6282) 280° F	146-60-002	Call
NS	5" Vent Damper (3 Section Boilers)	240006937	10D78
NS	6" Vent Damper (4, 5 Section Boilers)	240006938	75Y13
NS	7" Vent Damper (6, 7, 8, 9 Section Boilers)	240006939	75Y14
NS	Vent Damper Operator (Motor)	240005933	75P12
NS	400° F Black Silicone Rubber Adhesive Sealant	146-06-020	Call

\*Electronic Ignition Only