



# PARTS AND OPTIONAL ACCESSORIES

## GWB8-IE-2

*Standard-efficiency, gas-fired water boiler*

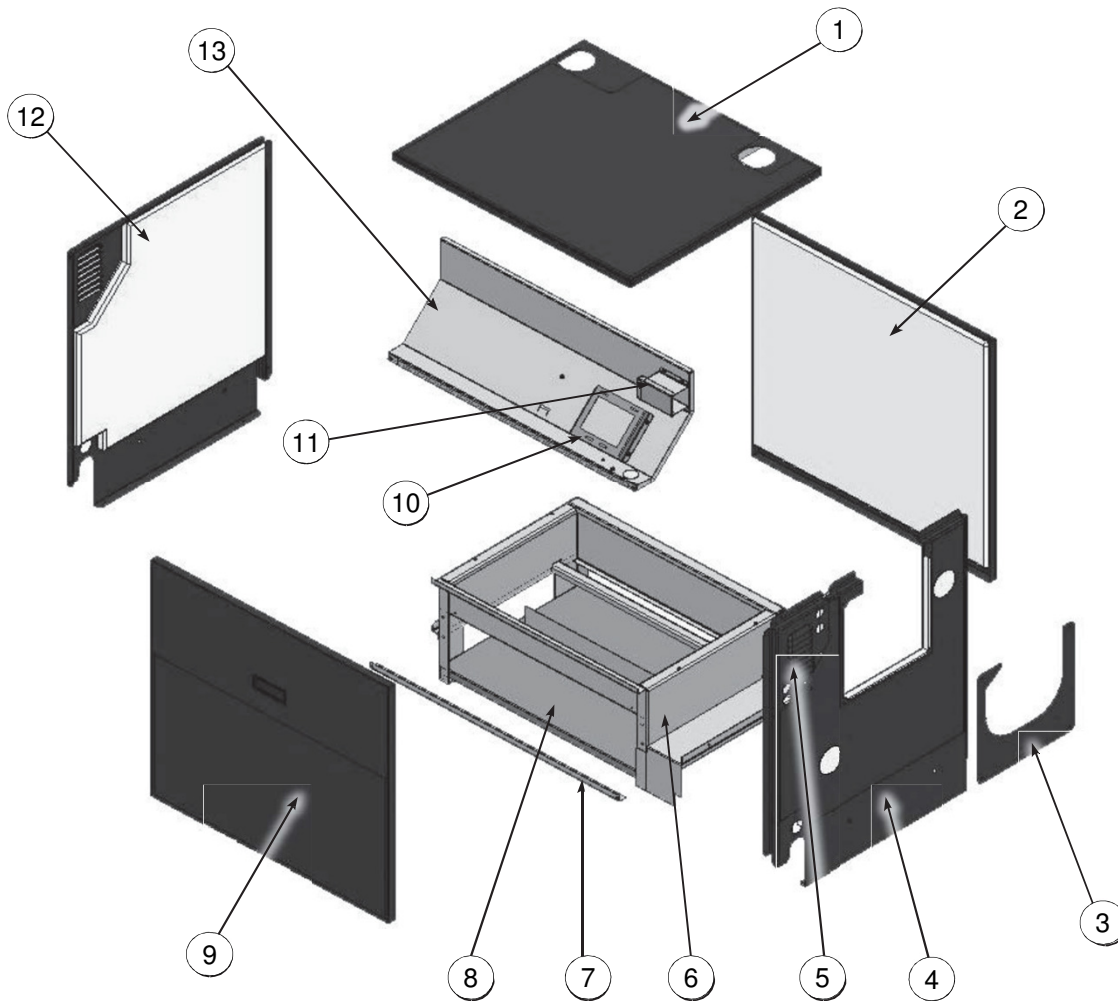
---



GWB8-042IE-2, GWB8-075IE-2  
GWB8-112IE-2, GWB8-150IE-2  
GWB8-187IE-2, GWB8-225IE-2

---

## Repair Parts for GWB8-IE-2 Jacket Section and Base Parts



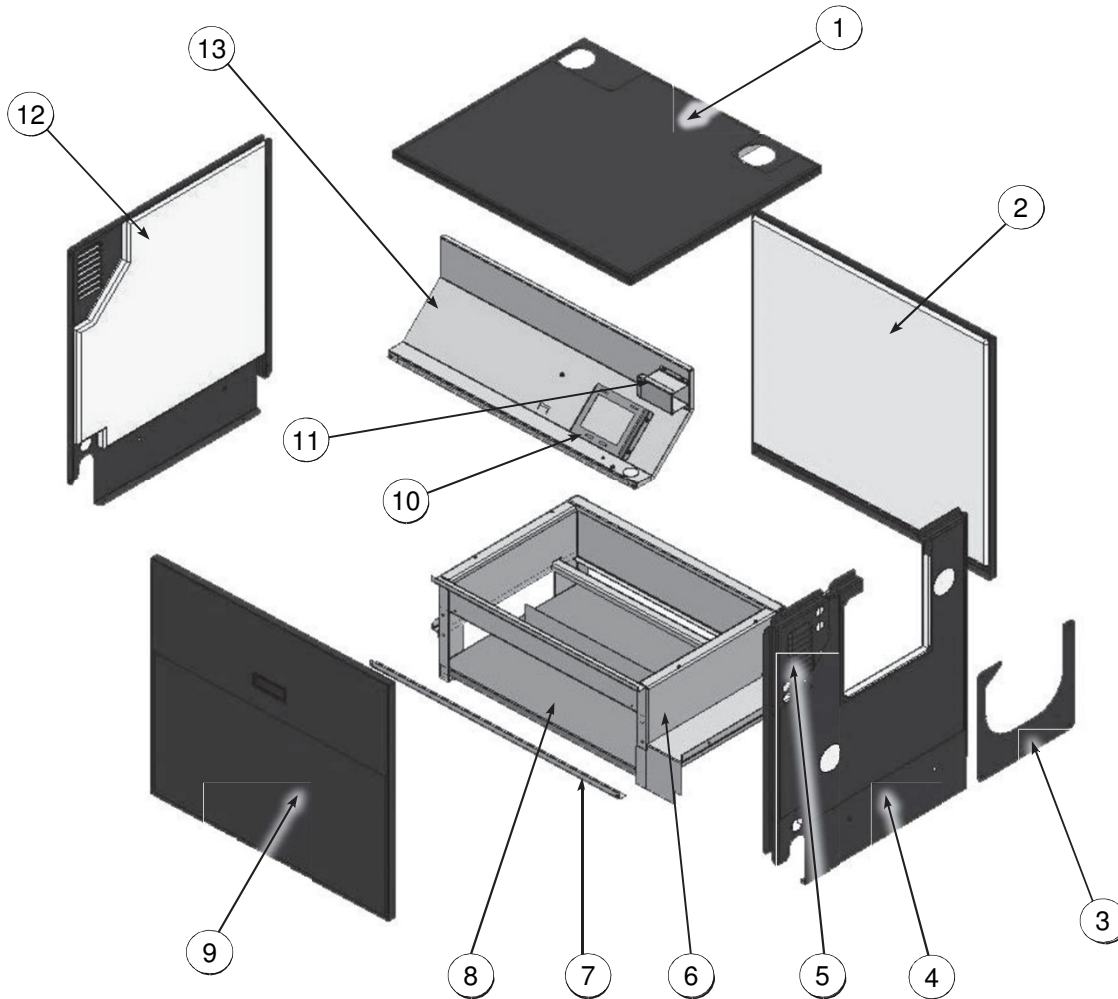
| KEY No. | Description                        | NATURAL GAS / LP |              |             |              |             |              |
|---------|------------------------------------|------------------|--------------|-------------|--------------|-------------|--------------|
|         |                                    | 2 SECTION        |              | 3 SECTION   |              | 4 SECTION   |              |
|         |                                    | Part No.         | Lennox Cat # | Part No.    | Lennox Cat # | Part No.    | Lennox Cat # |
| 1       | Jacket, Top Panel                  | 730001012AF      | Call         | 730001013AF | Call         | 730001014AF | Call         |
| 2       | Jacket, Back Panel                 | 730001022AF      | Call         | 730001023AF | Call         | 730001024AF | Call         |
| 3       | Blower Cover Plate                 | 630001170        | Call         | 630001170   | Call         | 630001170   | Call         |
| 4       | Jacket, Right Side Panel           | 109008498AF      | Call         | 109008498AF | Call         | 109008498AF | Call         |
| 5       | Rating Plate                       | -                | Call         | -           | Call         | -           | Call         |
| 6       | Boiler Base                        | 42500733         | Call         | 42500734    | Call         | 42500735    | Call         |
| 7       | Jacket Tie Bar                     | 42500653         | Call         | 42500654    | Call         | 42500655    | Call         |
| 8       | Insulation, Base Side (2 Required) | 14614020         | Call         | 14614020    | Call         | 14614020    | Call         |
|         | Insulation, Base Front             | 14614112         | Call         | 14614113    | Call         | 14614114    | Call         |
|         | Insulation, Base Rear              | 14614122         | Call         | 14614123    | Call         | 14614124    | Call         |
| 9       | Service Door                       | 109008686AF      | Call         | 109008687AF | Call         | 109008688AF | Call         |
| 10      | Control Standoff (See page 8)      | 109008496        | Call         | 109008496   | Call         | 109008496   | Call         |
| 11      | J-Box Cover (See page 8)           | 109008506        | Call         | 109008506   | Call         | 109008506   | Call         |
| 12      | Jacket, Left Side Panel            | 109008497AF      | Call         | 109008497AF | Call         | 109008497AF | Call         |
| 13      | Control Panel                      | 109008500        | Call         | 109008501   | Call         | 109008502   | Call         |
| ‡       | Cleanout Plate(s) & Insulation     | 42501539         | Call         | 42501540    | Call         | 42501541    | Call         |
| ‡       | Flue Collector                     | 730003002        | Call         | 730003003   | Call         | 730003004   | Call         |
| ‡       | Jacket, Complete                   | 550002429AF      | Call         | 550002430AF | Call         | 550002431AF | Call         |
| ‡       | #10 x 1/2 Sheet Metal Screw        | 14695074         | Call         | 14695074    | Call         | 14695074    | Call         |
| ‡       | Block Assembly (7,10,11,12,13,17)  | 41000212         | Call         | 41000312    | Call         | 41000412    | Call         |
| ‡       | Combustible Floor Plate            | 14614031         | Call         | 14614031    | Call         | 14614031    | Call         |

**Notes:**

When ordering parts, supply model number, part number required and description.

Dunkirk part numbers shown in SAP may be superseded by Dunkirk numbers listed here. You can still use the SAP catalogue numbers shown on this list.

## Repair Parts for GWB8-IE-2 Jacket Section and Base Parts



| KEY No. | Description                        | NATURAL GAS / LP |              |                     |              |               |              |
|---------|------------------------------------|------------------|--------------|---------------------|--------------|---------------|--------------|
|         |                                    | 3 SECTION        |              | 4 SECTION           |              | 5 SECTION     |              |
|         |                                    | Part No.         | Lennox Cat # | Part No.            | Lennox Cat # | Part No.      | Lennox Cat # |
| 1       | Jacket, Top Panel                  | 730001015AF      | Call         | 730001016AF         | Call         | 730001017AF   | Call         |
| 2       | Jacket, Back Panel                 | 730001025AF      | Call         | 730001026AF         | Call         | 730001027AF   | Call         |
| 3       | Blower Cover Plate                 | 630001170        | Call         | 630001170           | Call         | 630001170     | Call         |
| 4       | Jacket, Right Side Panel           | 109008498AF      | Call         | 109008498AF         | Call         | 109008498AF   | Call         |
| 5       | Rating Plate                       | -                | Call         | -                   | Call         | -             | Call         |
| 6       | Boiler Base                        | 42500736         | Call         | 42500737            | Call         | 42500738      | Call         |
| 7       | Jacket Tie Bar                     | 42500656         | Call         | 42500657            | Call         | 42500658      | Call         |
| 8       | Insulation, Base Side (2 Required) | 14614020         | Call         | 14614020            | Call         | 14614020      | Call         |
|         | Insulation, Base Front             | 14614115         | Call         | 14614116            | Call         | 14614117      | Call         |
|         | Insulation, Base Rear              | 14614125         | Call         | 14614126            | Call         | 14614127      | Call         |
| 9       | Service Door                       | 109008689AF      | Call         | 109008690AF         | Call         | 109008691AF   | Call         |
| 10      | Control Standoff (See page 8)      | 109008496        | Call         | 109008496           | Call         | 109008496     | Call         |
| 11      | J-Box Cover (See page 8)           | 109008506        | Call         | 109008506           | Call         | 109008506     | Call         |
| 12      | Jacket, Left Side Panel            | 109008497AF      | Call         | 109008497AF         | Call         | 109008497AF   | Call         |
| 13      | Control Panel                      | 109008503        | Call         | 109008504           | Call         | 109008505     | Call         |
| ‡       | Cleanout Plate(s) & Insulation     | 42501542         | Call         | 42501540 & 42501541 | Call         | 42501541 (x2) | Call         |
| ‡       | Flue Collector                     | 730003005        | Call         | 730003006           | Call         | 730003007     | Call         |
| ‡       | Jacket, Complete                   | 550002432AF      | Call         | 550002433AF         | Call         | 550002434AF   | Call         |
| ‡       | #10 x 1/2 Sheet Metal Screw        | 14695074         | Call         | 14695074            | Call         | 14695074      | Call         |
| ‡       | Block Assembly (7,10,11,12,13,17)  | 41000512         | Call         | 41000612            | Call         | 41000712      | Call         |
| ‡       | Combustible Floor Plate            | 14614031         | Call         | 14614032            | Call         | 14614032      | Call         |

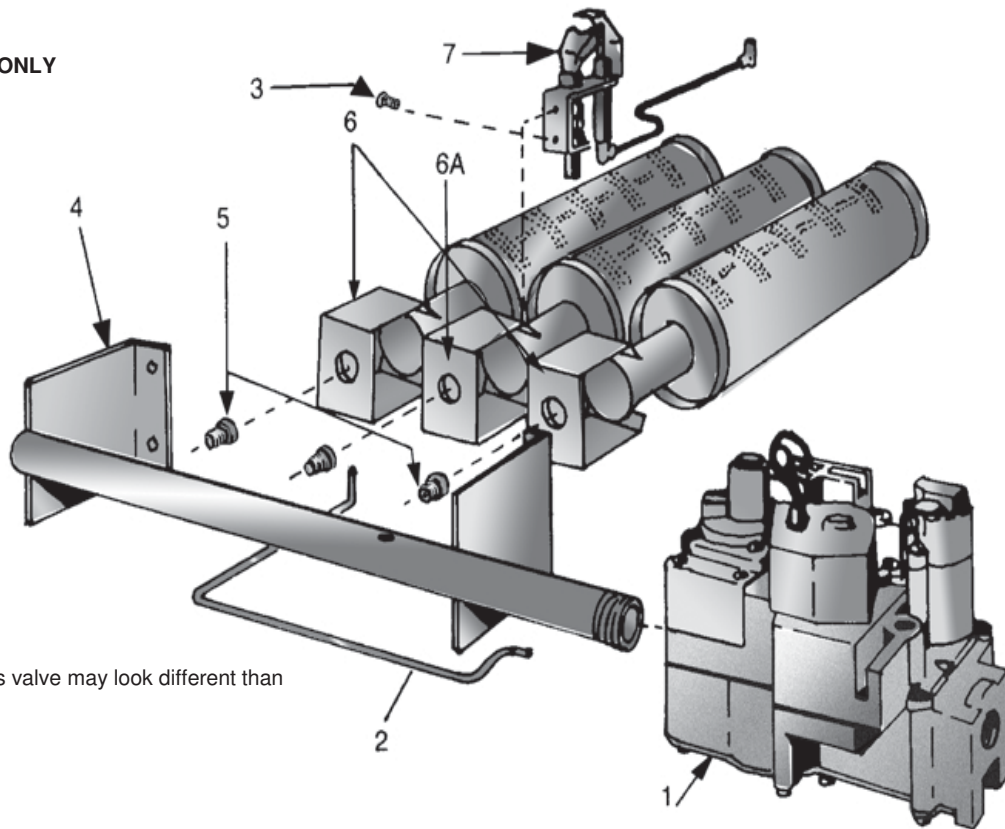
**Notes:**

When ordering parts, supply model number, part number required and description.

Dunkirk part numbers shown in SAP may be superseded by Dunkirk numbers listed here. You can still use the SAP catalogue numbers shown on this list.

## Repair Parts for GWB8-IE-2 Natural Gas Burner and Manifold Parts

FOR USE WITH  
NATURAL GAS ONLY



NOTE: Actual gas valve may look different than gas valve shown.

| KEY No. | Description                            | NATURAL GAS |              |           |              |           |              |
|---------|--|-------------|--------------|-----------|--------------|-----------|--------------|
|         |  | 2 SECTION   |              | 3 SECTION |              | 4 SECTION |              |
|         |  | Part No.    | Lennox Cat # | Part No.  | Lennox Cat # | Part No.  | Lennox Cat # |
| 1       | 24 Volt Gas Valve, Natural Gas         | 14662052    | 74P70        | 14662052  | 74P70        | 14662052  | 74P70        |
| 2       | Pilot Tube With Fitting                | 43300201    | Call         | 43300201  | Call         | 43300201  | Call         |
| 3       | 10-32 x 3/16" Slotted Hex Head Screws  | 14695301    | Call         | 14695301  | Call         | 14695301  | Call         |
| 4       | Gas Manifold                           | 14616042    | Call         | 14616043  | Call         | 14616044  | Call         |
| 5       | *Orifice -Natural Gas                  | 14615030    | Call         | 14615031  | Call         | 14615031  | Call         |
| 6       | **Main Burner Less Pilot Bracket       | ---         | ---          | 14615532  | 99X96        | 14615532  | 99X96        |
| 6A      | Main Burner with Pilot Bracket         | 14615531    | X1849        | 14615531  | X1849        | 14615531  | X1849        |
| 7       | Pilot Burner with Orifice, Natural Gas | 240009031   | Y5413        | 240009031 | Y5413        | 240009031 | Y5413        |
| ‡       | Rollout Shield                         | 42500932    | Call         | 42500933  | Call         | 42500934  | Call         |

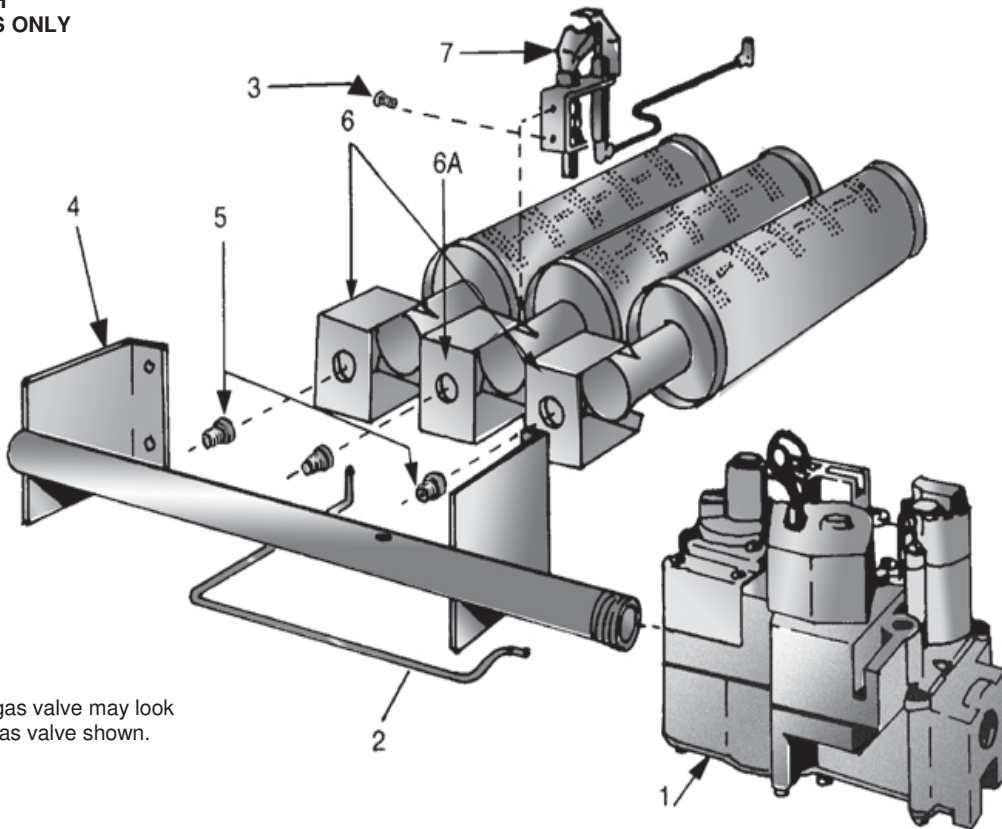
\*Requires 1 less than the number of sections.

\*\*Requires 2 less than the number of sections.

‡ Not illustrated. Quantity is 1 unless otherwise noted.

## Repair Parts for GWB8-IE-2 Natural Gas Burner and Manifold Parts

**FOR USE WITH  
NATURAL GAS ONLY**



NOTE: Actual gas valve may look different than gas valve shown.

| KEY No. | Description                            | NATURAL GAS |              |           |              |           |              |
|---------|--|-------------|--------------|-----------|--------------|-----------|--------------|
|         |  | 5 SECTION   |              | 6 SECTION |              | 7 SECTION |              |
|         |  | Part No.    | Lennox Cat # | Part No.  | Lennox Cat # | Part No.  | Lennox Cat # |
| 1       | 24 Volt Gas Valve, Natural Gas         | 14662052    | 74P70        | 14662058  | 74P71        | 14662058  | 74P71        |
| 2       | Pilot Tube With Fitting                | 43300201    | Call         | 43300200  | Call         | 43300200  | Call         |
| 3       | 10-32 x 3/16" Slotted Hex Head Screws  | 14695301    | Call         | 14695301  | Call         | 14695301  | Call         |
| 4       | Gas Manifold                           | 14616045    | Call         | 14616024  | Call         | 14616025  | Call         |
| 5       | *Orifice -Natural Gas                  | 14615031    | Call         | 14615035  | Call         | 14615035  | Call         |
| 6       | **Main Burner Less Pilot Bracket       | 14615532    | 99X96        | 14615532  | 99X96        | 14615532  | 99X96        |
| 6A      | Main Burner with Pilot Bracket         | 14615531    | X1849        | 14615531  | X1849        | 14615531  | X1849        |
| 7       | Pilot Burner with Orifice, Natural Gas | 240009031   | Y5413        | 240009031 | Y5413        | 240009031 | Y5413        |
| ‡       | Rollout Shield                         | 42500935    | Call         | 42500936  | Call         | 42500937  | Call         |

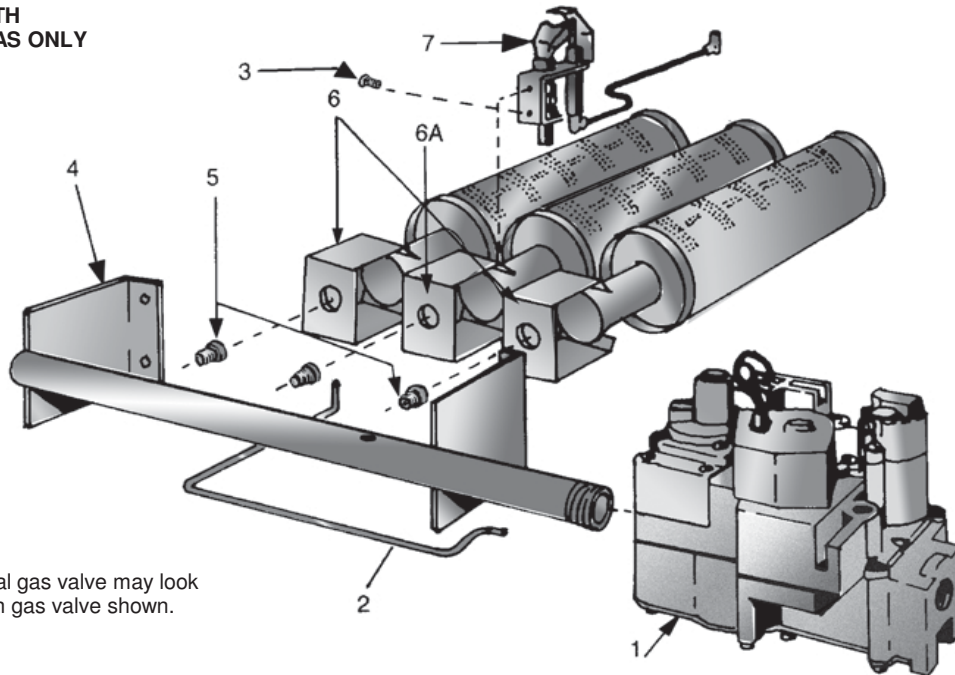
\*Requires 1 less than the number of sections.

\*\*Requires 2 less than the number of sections.

‡ Not illustrated. Quantity is 1 unless otherwise noted.

## Repair Parts for GWB8-IE-2 Propane Burner and Manifold Parts

**FOR USE WITH  
PROPANE GAS ONLY**



NOTE: Actual gas valve may look different than gas valve shown.

| KEY No. | Description                           | PROPANE   |              |           |              |           |              |
|---------|---------------------------------------|-----------|--------------|-----------|--------------|-----------|--------------|
|         |                                       | 2 SECTION |              | 3 SECTION |              | 4 SECTION |              |
|         |                                       | Part No.  | Lennox Cat # | Part No.  | Lennox Cat # | Part No.  | Lennox Cat # |
| 1       | 24 Volt Gas Valve, Propane Gas        | 550002740 | 10F02        | 550002740 | 10F02        | 550002740 | 10F02        |
| 2       | Pilot Tube With Fitting               | 43300201  | Call         | 43300201  | Call         | 43300201  | Call         |
| 3       | 10-32 x 3/16" Slotted Hex Head Screws | 14695301  | Call         | 14695301  | Call         | 14695301  | Call         |
| 4       | Gas Manifold                          | 14616020  | Call         | 14616021  | Call         | 14616022  | Call         |
| 5       | *Orifice-Propane Gas                  | 14615044  | Call         | 14615036  | Call         | 14615036  | Call         |
| 6       | **Main Burner Less Pilot Bracket      | ---       | ---          | 14615532  | 99X96        | 14615532  | 99X96        |
| 6A      | Main Burner with Pilot Bracket        | 14615531  | X1849        | 14615531  | X1849        | 14615531  | X1849        |
| 7       | Pilot Burner with Orifice, Nat Gas    | 240009031 | Y5413        | 240009031 | Y5413        | 240009031 | Y5413        |
| ‡ ‡     | Orifice Propane Gas                   | PB00208   | 10F07        | PB00208   | 10F07        | PB00208   | 10F07        |
| ‡       | Rollout Shield                        | 42500932  | Call         | 42500933  | Call         | 42500934  | Call         |

\*Requires 1 less than number of sections.

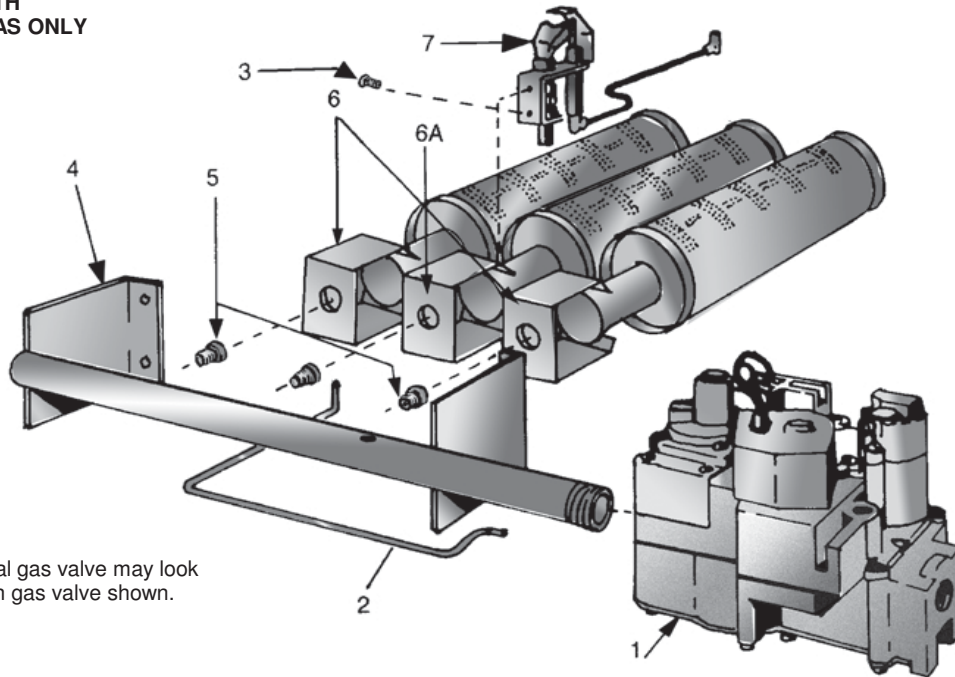
\*\*Requires 2 less than number of sections.

‡ Not illustrated. Quantity is 1 unless otherwise noted.

‡ ‡ Not illustrated pilot sold only in natural gas, must field convert.

## Repair Parts for GWB8-IE-2 Propane Burner and Manifold Parts

**FOR USE WITH  
PROPANE GAS ONLY**



NOTE: Actual gas valve may look different than gas valve shown.

| KEY No. | Description                           | PROPANE   |              |           |              |           |              |
|---------|---------------------------------------|-----------|--------------|-----------|--------------|-----------|--------------|
|         |                                       | 2 SECTION |              | 3 SECTION |              | 4 SECTION |              |
|         |                                       | Part No.  | Lennox Cat # | Part No.  | Lennox Cat # | Part No.  | Lennox Cat # |
| 1       | 24 Volt Gas Valve, Propane Gas        | 550002740 | 10F02        | 550002259 | 74P97        | 550002259 | 74P97        |
| 2       | Pilot Tube With Fitting               | 43300201  | Call         | 43300200  | Call         | 43300200  | Call         |
| 3       | 10-32 x 3/16" Slotted Hex Head Screws | 14695301  | Call         | 14695301  | Call         | 14695301  | Call         |
| 4       | Gas Manifold                          | 14616023  | Call         | 14616024  | Call         | 14616025  | Call         |
| 5       | *Orifice-Propane Gas                  | 14615036  | Call         | 14615036  | Call         | 14615036  | Call         |
| 6       | **Main Burner Less Pilot Bracket      | 14615532  | 99X96        | 14615532  | 99X96        | 14615532  | 99X96        |
| 6A      | Main Burner with Pilot Bracket        | 14615531  | X1849        | 14615531  | X1849        | 14615531  | X1849        |
| 7       | Pilot Burner with Orifice, Nat Gas    | 240009031 | Y5413        | 240009031 | Y5413        | 240009031 | Y5413        |
| ‡ ‡     | Orifice Propane Gas                   | PB00208   | 10F07        | PB00208   | 10F07        | PB00208   | 10F07        |
| ‡       | Rollout Shield                        | 42500935  | Call         | 42500936  | Call         | 42500937  | Call         |

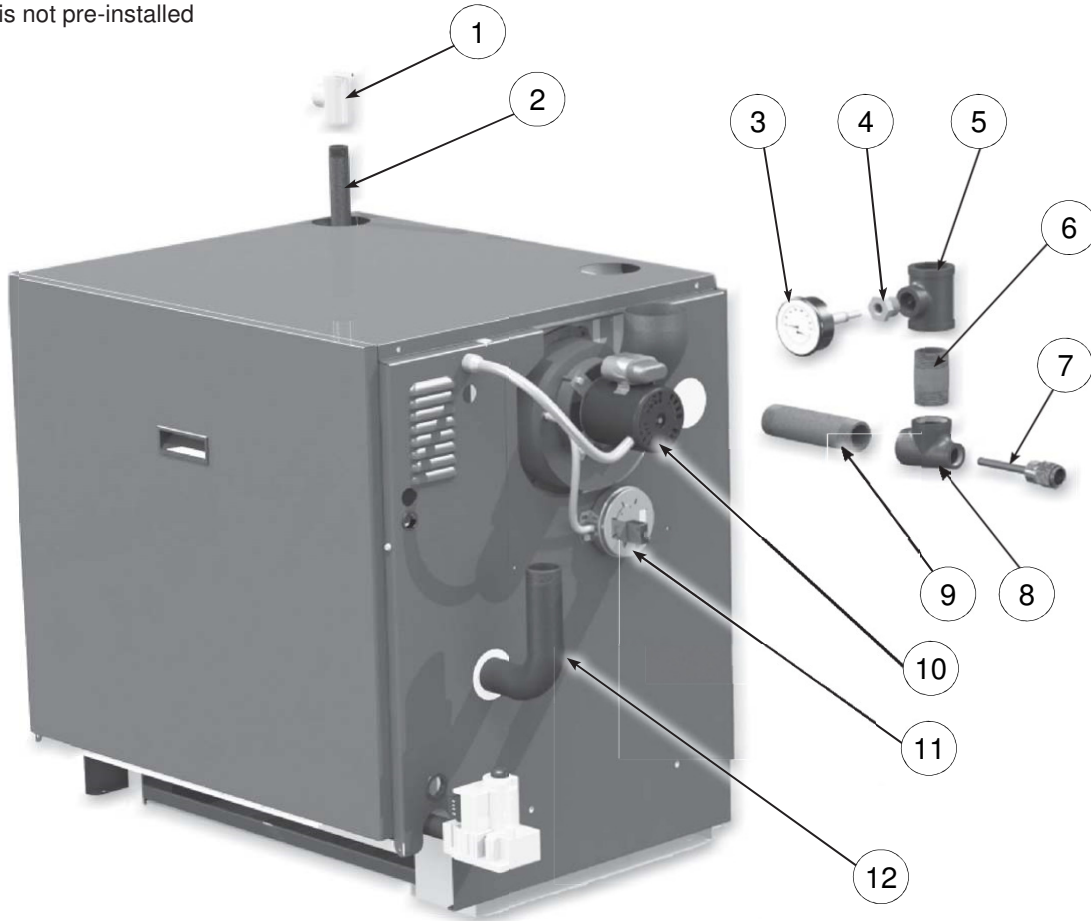
\*\*Requires 2 less than number of sections.

‡ Not illustrated. Quantity is 1 unless otherwise noted.

‡ ‡ Not illustrated pilot sold only in natural gas, must field convert.

## Repair Parts for GWB8-IE-2 Boiler Controls and Piping

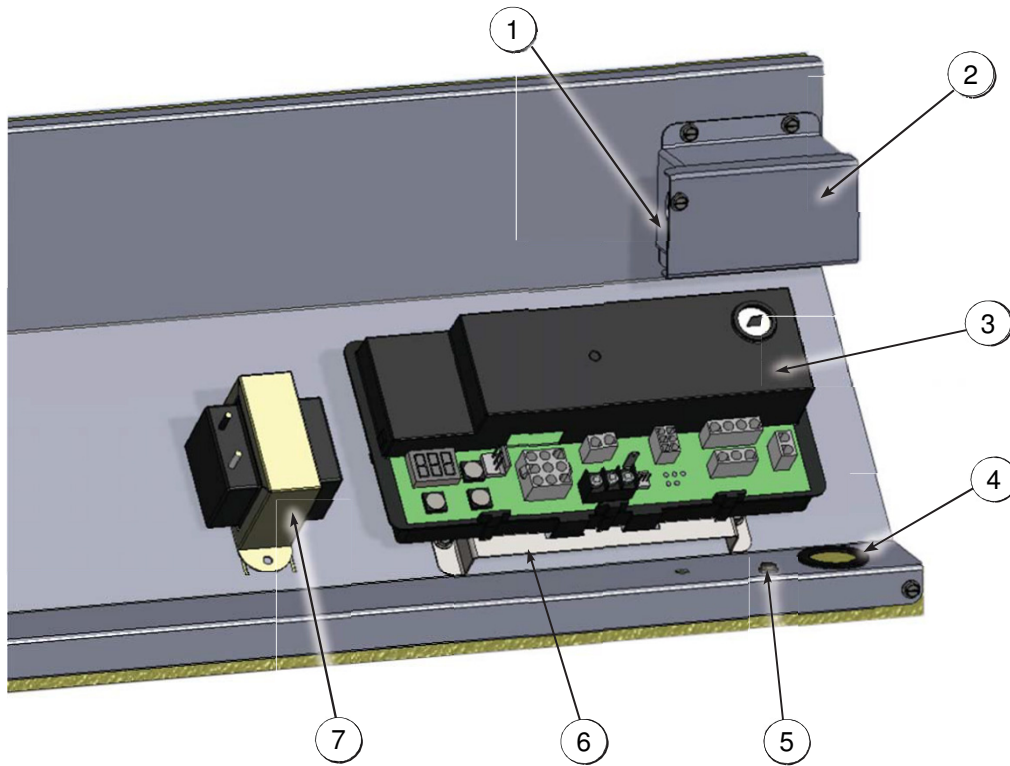
NOTE: Circulator is not pre-installed



| Key |  |           |              |
|-----|--|-----------|--------------|
| No. | Description  | Part No.  | Lennox Cat # |
| 1   | 3/4" ASME Relief Valve   | 14622011  | 95P51        |
| 2   | 3/4" x 5 1/2" Adapter  | 14607019  | Call         |
| 3   | Temperature Pressure Gauge (3 1/2" Stem)                           | 1260006SP | Call         |
| 4   | Bushing 3/4" x 1/4"  | 14607019  | Call         |
| 5   | Tee 1 1/4" x 1 1/4" x 3/4"   | 1510001   | Call         |
| 6   | Bushing 1 1/4" x 2 1/2"  | 14607004  | Call         |
| 7   | Well   | 1635001   | Call         |
| 8   | 1 1/4" x 3/4" x 3/4" Tee   | 1510001   | Call         |
| 9   | Adapter 1 1/4" x 5 1/2"  | 14607044  | Call         |
| 10  | Induced Draft Blower and Gasket                                    | 240009011 | 10D82        |
| 11  | Pressure Switch - 2,3,4,5 Section                                  | 14655006  | 77P67        |
|     | Pressure Switch - 6,7 Section                                      | 14655005  | Call         |
| 12  | 1 1/4" Bent Tube   | 14607004  | Call         |
| ‡   | Sensor   | 240007732 | Y5411        |
| ‡   | Clip   | 240008013 | Y5412        |
| ‡   | Rubber Tube (Blower to Pressure Switch)                            | 1552014   | 33X78        |
| ‡   | Rollout Switch   | 14629002  | 75P10        |
| ‡   | 1 1/4" x 3/4" Bushing  | 1060003   | Call         |
| ‡   | 3" x 4" Increaser Fitting - Galvanized                             | 14628012  | Call         |
| ‡   | 400 °F Black Silicone Rubber Adhesive Sealant (10.1 oz. Cartridge) | 240006837 | Call         |
| ‡   | 500 °F Red Silicone Rubber Adhesive Sealant (10.3 oz. Cartridge)   | 240006502 | Call         |
| ‡   | Drain Valve  | 240009323 | Y5378        |



## Repair Parts for GWB8-IE-2 Control Module



| Key |                                      |           |              |     |
|-----|--------------------------------------|-----------|--------------|-----|
| #   | Description                          | Part No.  | Lennox CAT # | Qty |
| 1   | J-BOX                                | 109008499 | Call         | 1   |
| 2   | J-Box Cover                          | 109008506 | Call         | 1   |
| 3   | Control                              | 240009241 | 10D84        | 1   |
| 4   | Grommet                              | 206000025 | Call         | 1   |
| 5   | Ground Screw #8                      | HW07701   | Call         | 1   |
| 6   | Control Standoff                     | 109008496 | Call         | 1   |
| 7   | Transformer                          | 240008782 | Y5410        | 1   |
| *   | Line Voltage Harness                 | 240009194 | Call         | 1   |
| *   | Low Voltage Wire Harness             | 240009342 | Call         | 1   |
| *   | Circulator Harness                   | 240008767 | Call         | 1   |
| *   | Pilot (with wires) [Shown on page 6] | 240009031 | Y5413        | 1   |

\*Not Shown