



PARTS AND OPTIONAL ACCESSORIES

GWB9-IH-2

High-efficiency, gas-fired water boiler



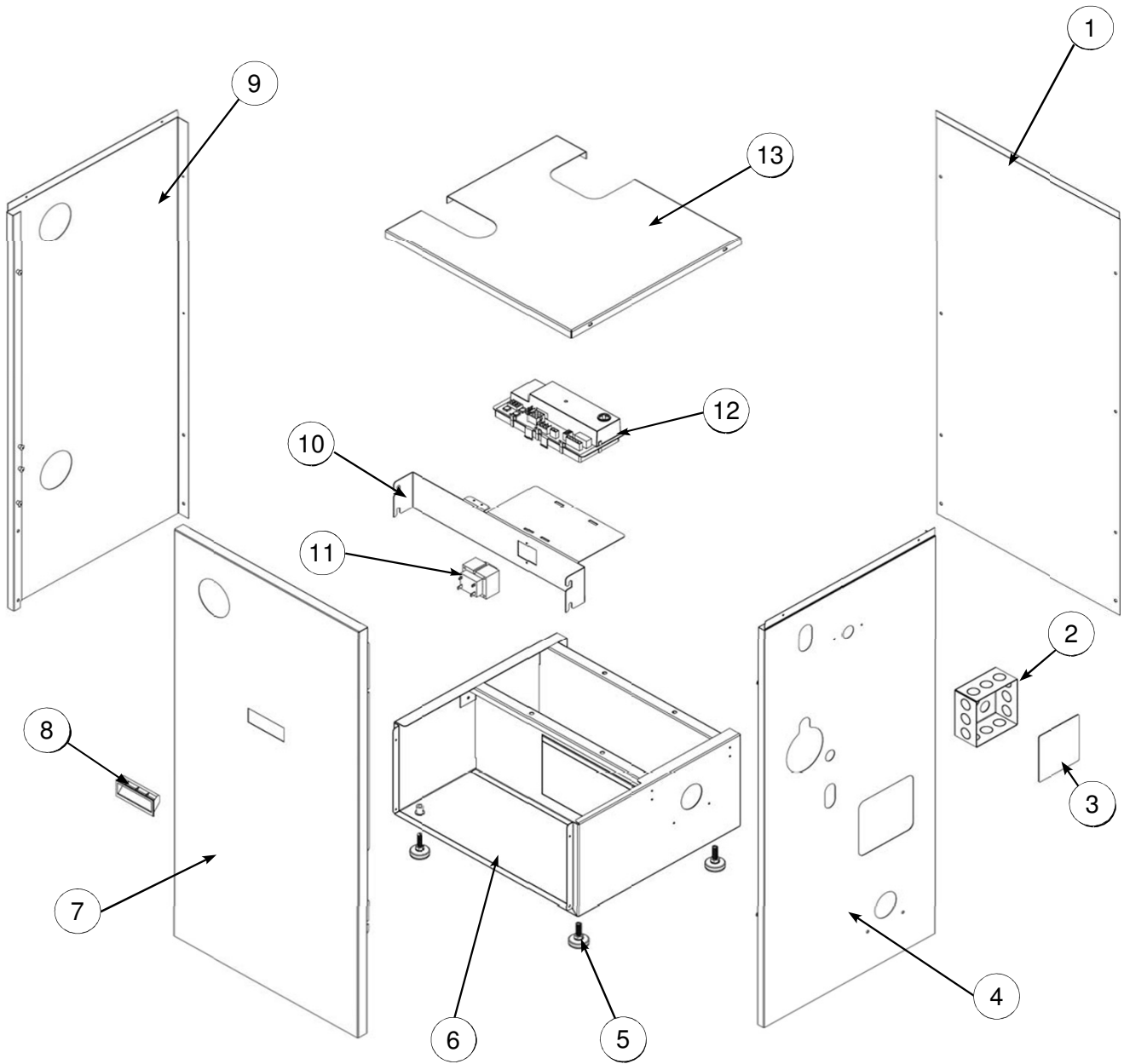
GWB9-050IH-2, GWB9-075IH-2
GWB9-100IH-2

**Use this listing for
GWB9IH-2 units built
AFTER July 2012
only.**

If the unit was built
before July 2012 use
the GWB9 repair parts
REGARDLESS of the



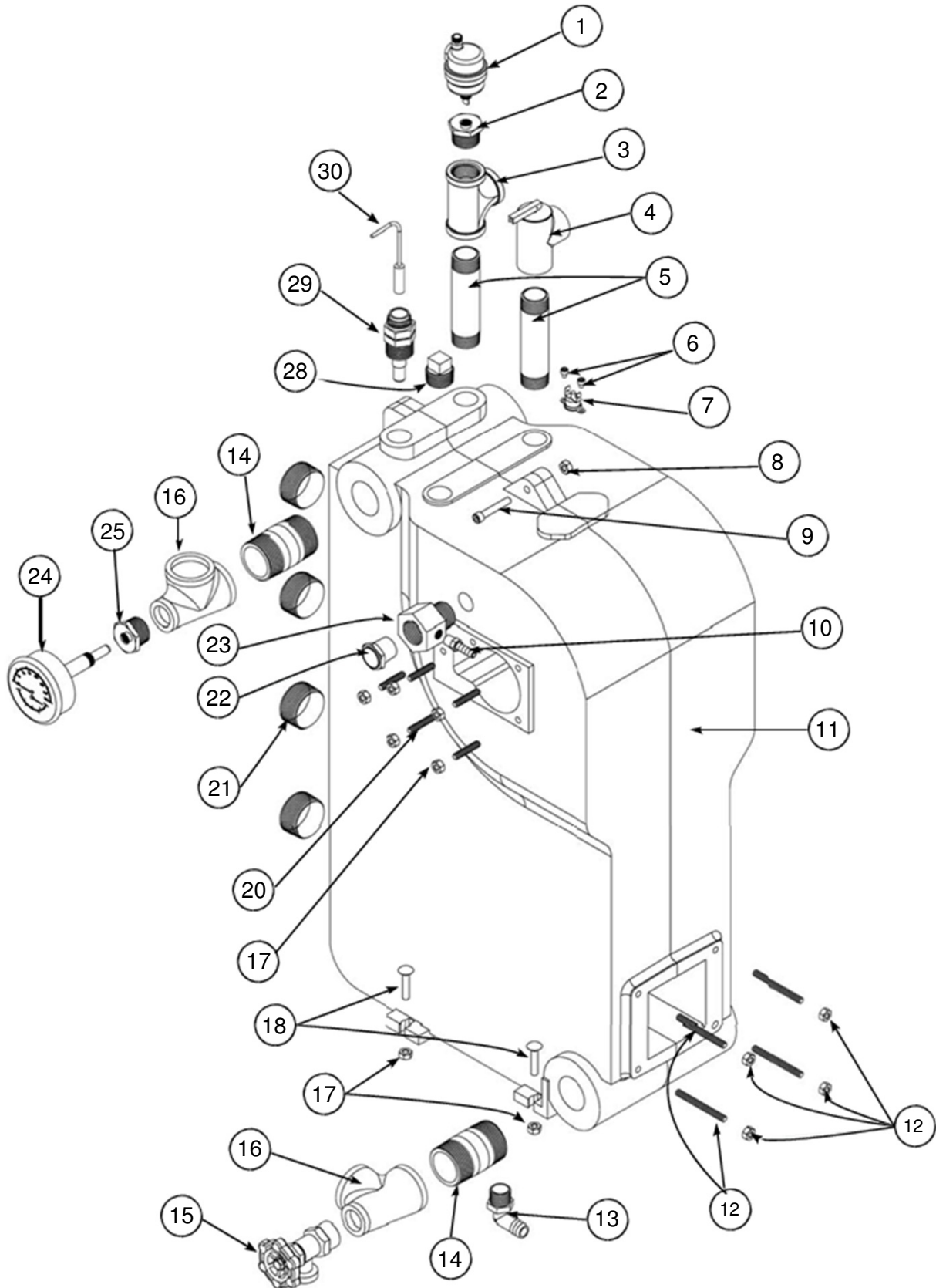
Repair Parts for GWB9-IH-2 Series Jacket Section and Base Parts



**Repair Parts for GWB9 / Q90 Series (NOT for Q90-150)
Jacket Section and Base Parts**

Key #	Description	Part No.	Lennox CAT #	Qty
1	BACK PANEL	109008720AF	Call	1
2	RACO 232 4x4x2½ BOX	14631316	Call	1
3	COVER PLATE BLANK 4" SQUARE	212000009	Call	1
4	RIGHT PANEL	109008718AF	Call	1
5	CO-2366 GLIDE	14631091	Call	4
6	REPLACEMENT BASE ASSEMBLY (Includes item 5)	550002650	Call	1
7	DOOR PULL	28673	Call	1
8	FRONT PANEL	109008717AF	Call	1
9	LEFT PANEL	109008719AF	Call	1
10	CONTROL PANEL	109008721	Call	1
11	120VAC/24VAC 40VA TRANSFORMER	240005330	10D74	1
12	S9381A INTEGRATED BOILER CONTROL	240009282	Call	1
13	TOP PANEL	109008732AF	Call	1
‡	TACO CIRCULATING PUMP	CI-001.03	74P49	1
‡	GRUNDFOS CIRCULATING PUMP	C1-006.01	Call	1
‡	CIRCULATING PUMP HARNESS	43300826	Call	1
‡	JACKET COMPLETE (Includes 1, 4, 8, 9, 13)	550002593	Call	- - - -
‡	3" CONCENTRIC VENT KIT	29571	Y5400	1
‡	2" CONCENTRIC VENT KIT	29570	Y5399	1

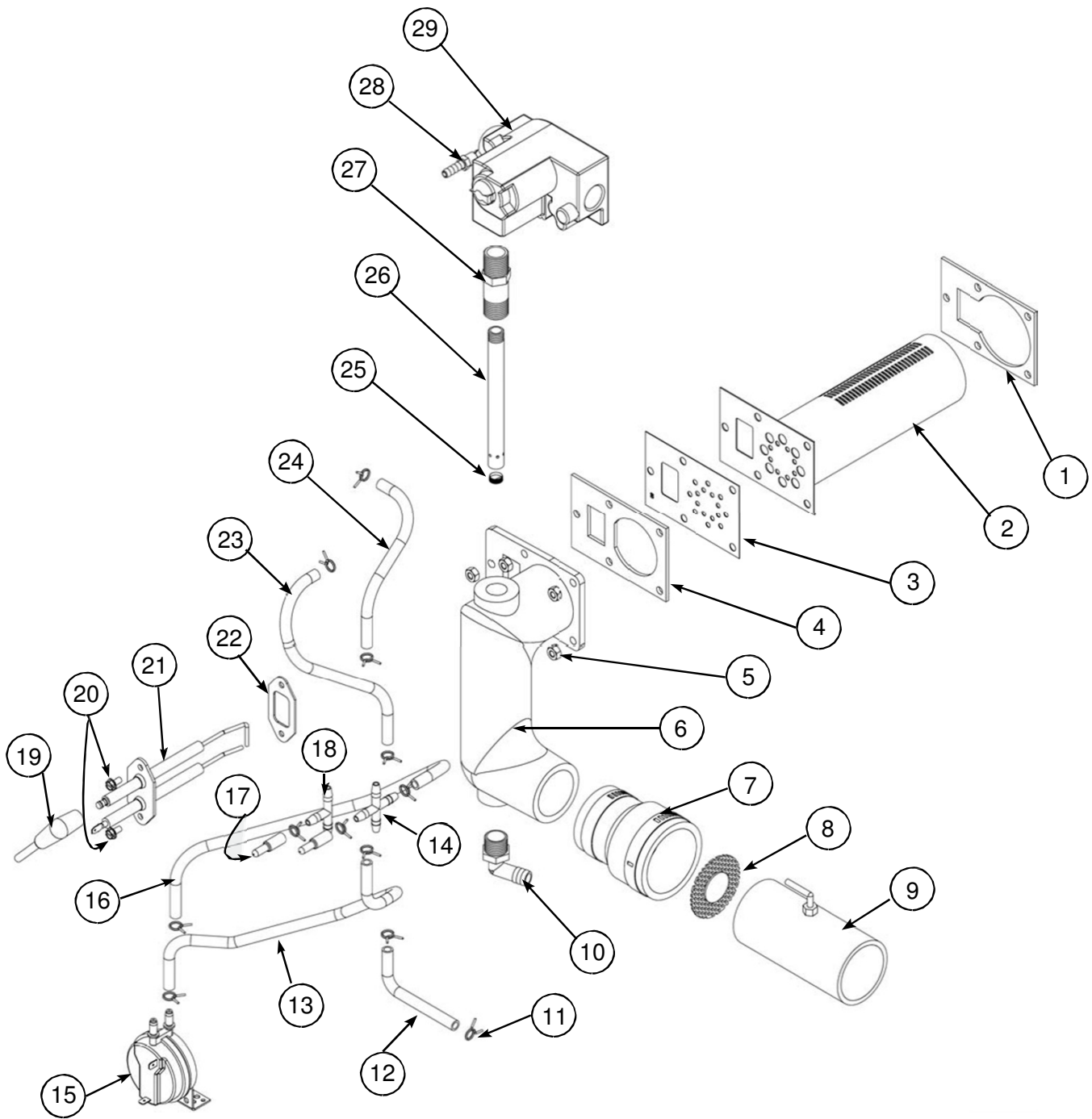




KEY #	Lennox Cat #	Part #	DESCRIPTION	QTY
11	KIT #550002627 BLOCK REPL Q90-100 SERIES 2 AND INCLUDES THE FOLLOWING ITEMS			1
5	Call	14607202	NPL,3/4X4½,BI,STD	2
6	Call	14695802	SCR,8-32 X 3/16,RH,ALH,CAP	2
7	74N45	14631000	SWITCH CASTING TEMP Q90 36T26-42930 300	1
10	Call	14631005	FITTING, 125HBL-4-21/ X 1/4" BR.B+	1
12a	Call	14695810	NUT, ¼-20,HWS	4
12b	Call	240009021	STUD, THREADED, 1/4-20 X 2-1/4	4
13	Call	240009285	ELB,TBE, ½"NPT X 5/8" ID,HB, 62044	1
14	Call	14607044	NPL,1-1/4X2-1/2,BI,STD	2
16	Call	1510001	TEE,RDCR,1-1/4" X 3/4" X 1-1/4"	2
17	Call	14695810	NUT, 1/4-20, HWS	13
18	Call	14695040	BOLT, 1/4-20 X 1-1/4", CARRIAGE	4
20	Call	14695805	STUD, THREADED, 1/4-20 X 1 1/4"	5
22	Call	14619002	OBSERVATION GLASS, 3/4"	1
23	Call	14631004	ADAPTER, SIGHT GLASS	1
**	Call	240009284	EXHAUST SPACER BUSHING 1/4X3/8X7/8 LONG	4
**	Call	240009583	GASKET, EXHAUST SPACER	4
**	Y5639	1250010	GASKET IGNITER	1
**	Call	14631023	GASKET BURNER	1
**	Call	14631025	GASKET MIXER	1
**	Call	14695809	SCREW, 10-32 X 3/8"	2
--- * NOTE: #8, 9, 21, AND 28 INSTALLED IN HEAT EXCHANGER ---				
Key #	Lennox Cat #	Part #	Description	Qty
8*	Call	14695810	NUT, 1/4-20,HWS	5
9*	Call	14695801	SCR, 1/4-20 X 1-1/2",RH,ALH,CAP	5
21*	Call	1395002	1-1/4 HEX SOCKET PLUG	8
28*	Call	1395001	3/4" SQ HD PLUG	1
Key #	Lennox Cat #	Part #	Description	Qty
1	Call	1580006	VENT AIR PURGE Q SERIES	1
2	Call	14693001	BSHG, 3/4" X 1/8",BLK	1
3	Call	14693076	TEE,BLK, 3/4"	1
4	95P51	14622011	VLV,RLF,ASME,30PSI,3/4,10-408-05	1
15	Y5378	240009323	VLV,DRN,3/4,	1
24	Y5392	1260006	GAUGE,TEMP/PRESS,2" SHANK	1
25	Call	1060002	BUSHING, 3/4" x 1/4" BLK	1
29	Call	240009283	WELL, SHORT, 1½" INSRT, HL, 48-205	1
30	10D88	240009339	SENSOR, HIGH LIMIT, 24" HW, 50001465-003	1
**	Y5412	240008013	SENSOR MOUNTING CLIP, HW 32002656	1

**Not Shown



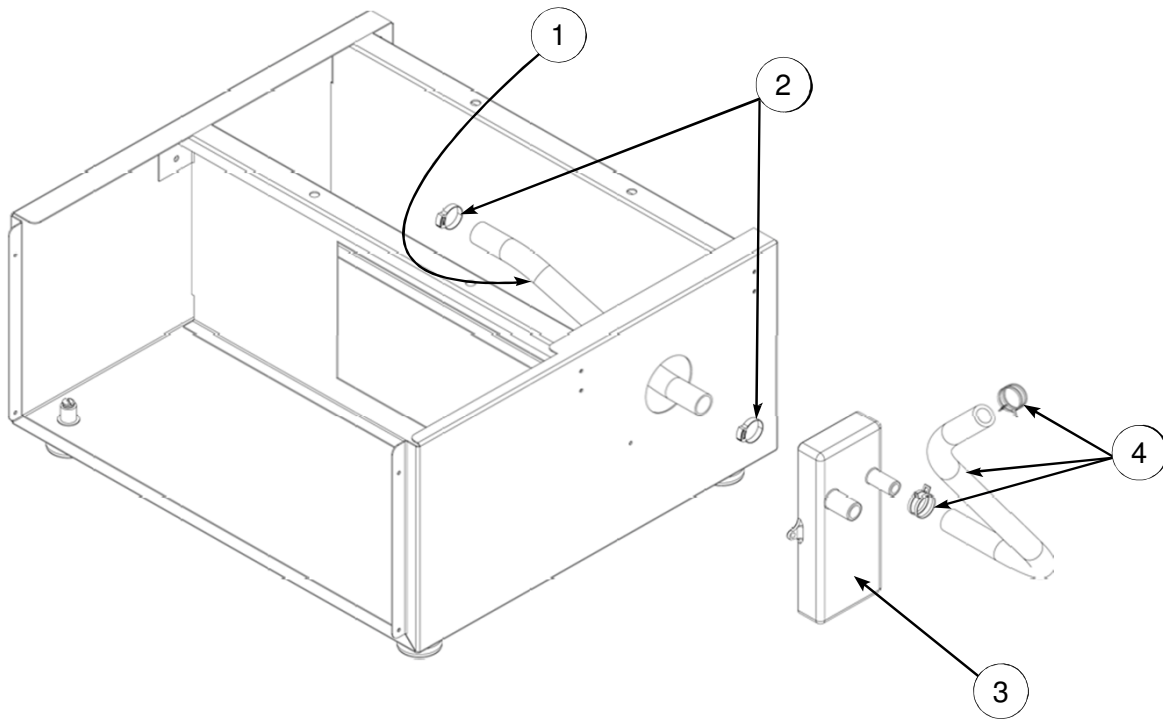


**Repair Parts for GWB9 / Q90 Series (NOT for Q90-150)
Mixer and Air Pressure Switch Assembly**

Key #	Description	Part No.	Lennox CAT #	Qty
-------	-------------	----------	--------------	-----

1	BURNER GASKET	14631023	Call	1
2	BURNER KIT, 90-50/75/100 S2 NAT/LP, 0'-10,000' (Contains: 1, 2, 4,)	550002632	10D91	1
3	Restrictor Plate 90-50 S1/S2	109006405	10D70	1
	Restrictor Plate 90-75 S1/S2	109006406	10D71	1
4	MIXER GASKET	14631025	Call	1
5	1/4"-20 HEX NUT W/SERRATED WASHER HEAD	14695810	Call	5
6	MIXER CASTING MACHINED	12101008	Call	1
7	2" x 1 1/2" FLEXIBLE COUPLING	14631311	Call	1
8	90-100 S1/S2 AIR BAFFLE 0.50" DISC	42531100	10D63	1
	90-75 S2 AIR BAFFLE 1.17" DISC	109008915	10D72	1
	90-50 S2 AIR BAFFLE 1.55" DISC	109008916	10D73	1
9	AIR INLET	43800007	Call	1
10	62043 1/2" NPT 1/2"ID TUBE ELBOW	14631103	Call	1
11	3/8" HOSE CLAMP HC-6ST	14631143	Call	12
12	59006 1/4" ID X 3/8" OD VINYL TUBING	14631033	Call	As Required
13	1/4"ID 3/8"OD VINYL TUBING (RED)	14631314	Call	As Required
14	1/4"ID TUBE 4-WAY CONNECTOR	14631313	Call	1
15	90-100 S1/S2 AIR PRESSURE SWITCH 1.00"	14631312	32X50	1
	90-75 S2 AIR PRESSURE SWITCH 1.60"	240009612	10D89	1
	90-50 S2 AIR PRESSURE SWITCH 2.10"	240009613	10D90	1
16	59006 1/4" ID X 3/8" OD VINYL TUBING	14631033	Call	As Required
17	PC250-12 VINYL CAP	14631151	Call	2
18	62064 1/4"ID TUBE TEE	14631104	Call	1
19	IGNITION CABLE	240009290	10D87	1
20	10-32"x 3/8" MACHINE SCREW	14695809	Call	2
21*	DIRECT SPARK IGNITER KIT (FOR 50/75/100 SERIES 2)	550002633	Call	1
22	IGNITER GASKET	1250010	Y5639	1
23	59006 1/4" ID X 3/8" OD VINYL TUBING	14631033	Call	As Required
24	3/16" ID SILICONE TUBING	1552014	33X78	As Required
25	1/8" NPT BRASS PLUG – 3/16" HEX SOCKET	14693805	Call	1
26**	GAS ORIFICE NATURAL, 100N (0.0860, #44) 0-10,000'	43331090	10D64	1
	GAS ORIFICE NATURAL, 75N (0.0760, #48) 0-10,000'	43331092	10D65	1
	GAS ORIFICE NATURAL, 50N (0.0615) 0-10,000'	43331094	10D67	1
	GAS ORIFICE PROPANE, 75P (0.0531) 5,000-10,000'	43331096	10D69	1
	GAS ORIFICE PROPANE, 75P (0.0605) 0-5,000'	43331093	10D66	1
27	GAS ORIFICE PROPANE, 50P (0.0492) 0-10,000'	43331095	10D68	1
	BUSHING WITH HEX, Q90 SERIES 2 MIXER	240009289	Call	1
28	5/16-24 1/4 HOSE ID BRASS BARB FITTING	14631308	Call	1
29	HONEYWELL GAS VALVE VR8205 (INCLUDES ITEM 28)	14631307	32X47	1
-	Natural to PROPANE Conversion Kit,90-50 S2, 0'-10,000'	550002631	Call	1
-	Natural to PROPANE Conversion Kit, 90-75 S2, 0'-5,000'	550002630	Call	1
-	Natural to PROPANE Conversion Kit, 90-75 S2,, 5,000'-10,000'	550002629	Call	1
-	Propane to NATURAL Conversion Kit, 90-50 S2, 0-10,000'	550002635	Call	1
-	Propane to NATURAL Conversion Kit, 90-75 S2, 0-10,000'	550002634	Call	1



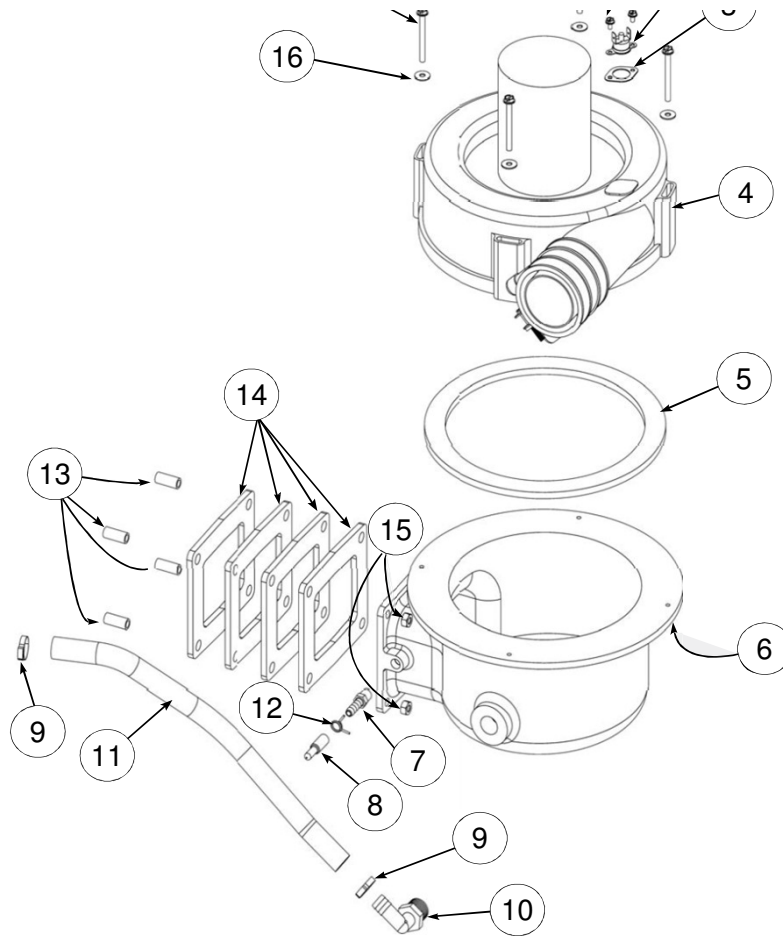


Key		Lennox		
#	Description	Part No.	CAT #	Qty
1	59020 TUBE, VINYL, 5/8" ID x 13/16" OD	240009291	Call	1
2	57134 3/4" SNAP GRIP CLAMP	14631141	Call	2
3	CONDENSATE TRAP ASSEMBLY	240009287	Call	1
4	TUBE 1/2" ID EPDM60 WITH CLAMPS	240006662	Call	1



**Repair Parts for GWB9 / Q90 Series (NOT for Q90-150)
Flue Adapter and Exhauster Assembly**





Key #	Description	Part No.	Lennox CAT #	Qty
INDUCED DRAFT BLOWER KIT #550002628 INCLUDES 1,2,3,4,5,16,17		550002628	Call	1
1	SCREW, 6 X 1/4, SLT, HH	HW06501	Call	2
2	36T X 11-22491 INDUCER TEMP SAFETY SWITCH	14631303	74N48	1
3	VENT SWITCH GASKET	14631028	Call	1
4	FLUE GAS BLOWER WITH VENT PIPE CONNECTOR	240009288	10D86	1
5	BLOWER GASKET	14631026	74N49	1
16	WASHER, #10 X 1/2" OD	240006203	Call	4
17	SCREW, 10-24X3" SLT HWH SZN	240007745	Call	4
6	FLUE ADAPTER	12101021	Call	1
7*	1/8" NPT 1/4" HOSE ID BRASS BARB FITTING	14631005	Call	1
8	PC250-12 VINYL CAP	14631151	Call	1
9	57134 3/4" SNAP GRIP CLAMP	14631141	Call	2
10	62043 1/2" NPT x 1/2" ID TUBE ELBOW	14631103	Call	1
11	59019 1/2" ID x 1/8" THK VINYL TUBE	14631035	Call	1
12	3/8" HOSE CLAMP HC-6ST	14631143	Call	1
13	EXHAUST SPACER BUSHING 1/4 ID X 3/8 OD X 7/8 LONG	240009284	Call	4
14	GASKET, EXHAUST SPACER	240008593	Call	4
15	1/4"-20 HEX NUT W/SERRATED WASHER HEAD	14695810	Call	4
**	VENT PIPE 2" CPVC SCH-40 X 29 1/2" LONG S636	240006820	Call	2
**	VENT PIPE COUPLING 2" CPVC SCH-80 S636	240006822	Call	1
**	VENT PIPE ELBOW 2" CPVC SCH 40 S636	240009663	Call	1
**	VENT PIPE 2" CPVC SCH-40 X 2 1/2" LONG S636	240006821	Call	1