



* US PATENTS 5188333, 5255887
 CANADIAN PATENT 2073900
 ADDITIONAL PATENTS PENDING

FEATURES:

- HEAVY GAUGE GALVANIZED STEEL CONSTRUCTION
- 2 x 3" WOOD PERIMETER NAILER
- PATENTED CLIPLOCK DESIGN FOR EASE OF ASSEMBLY
- NECESSARY HARDWARE ARE PROVIDE

ADJUSTABLE PITCH
 *CLIPLOCK 1000 ROOF CURB
 TO SUIT



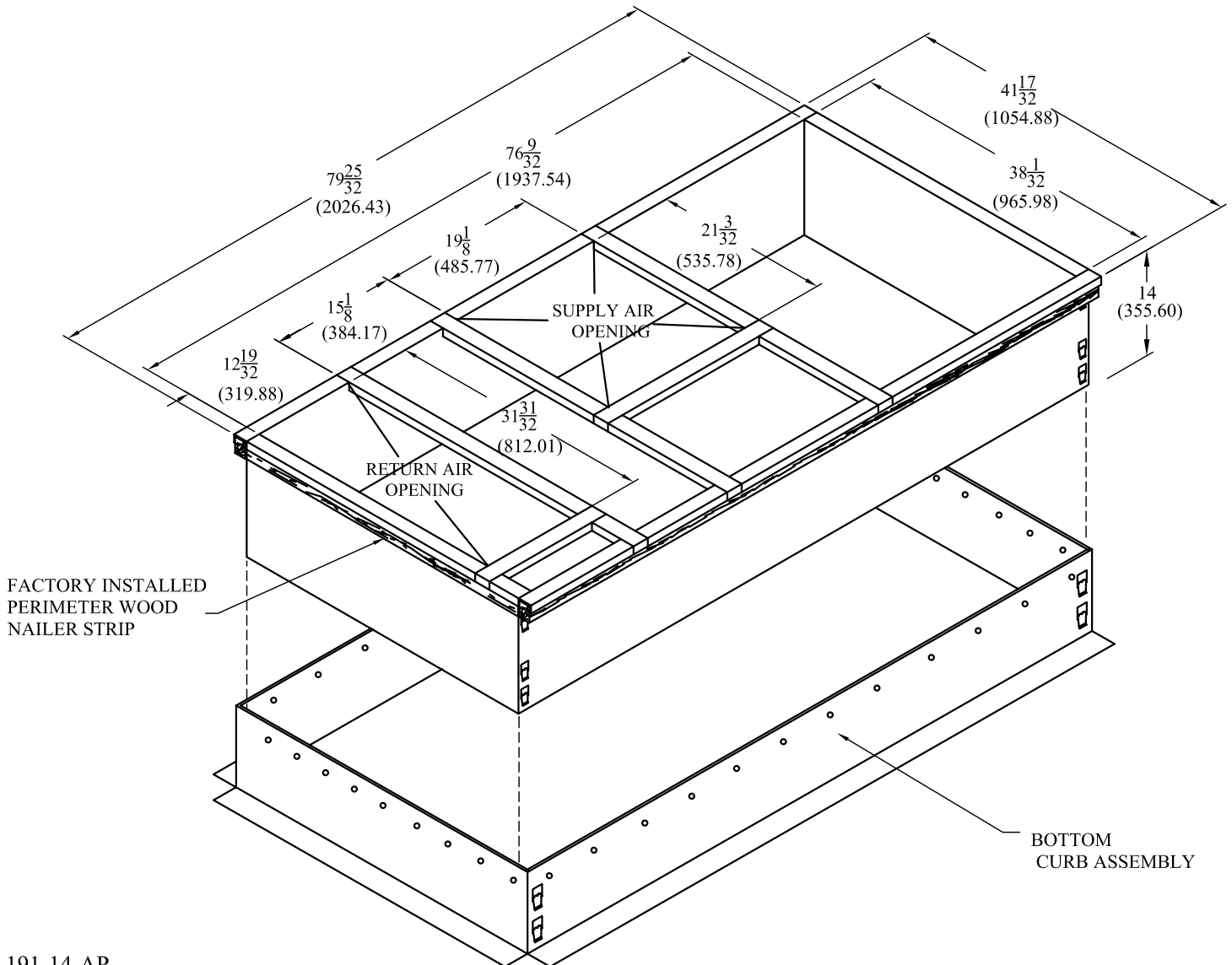
LGH036-072 / KGA024-072

CAT#	MODEL #	HEIGHT (inch)	HEIGHT (mm)	WEIGHT (lbs)
43W27	T1CURB20AN1-14-AP	14	355.6	113

MAXIMUM SLOPE PITCH IS 3/4" PER FOOT
 IN ANY ONE DIRECTION.

REQUIRED DUCT SIZES

SUPPLY	18-5/8" x 20-15/32"
RETURN	11-31/32" x 31-11/32"



L191-14-AP
 MAY 12, 2010

27 Leading Road Etobicoke, Ontario, Canada M9V 4B7
 Tel: (416) 742-0598 Fax: (416) 742-4251
 4846 Jennings Lane, Louisville, Kentucky, USA 40218
 Tel: 1-800-932-6210 Fax: 1-800-903-7294