



# INSTALL INSTRUCTIONS FOR CONSOLIDATED COIL/HAIL GUARD TO SUIT LENNOX CAT # 15D21

## ⚠ CAUTION

WHEN INSTALLING COIL GUARD BE SURE  
NOT TO PUNCTURE CONDENSER COIL

1. THE 15D21 COIL GUARDS ARE DESIGNED TO PROTECT THE CONDENSOR COIL OF THE HVAC UNIT. THE FOLLOWING ARE INCLUDED:—

SHIPPING AND PACKING LIST

- 1— SIDE GUARD
- 1— BACK GUARD
- 1— HARDWARE BAG W/
  - 1—INSTRUCTIONS
  - 8—#8—3/4" WAFER MODIFIED TEK SCREWS

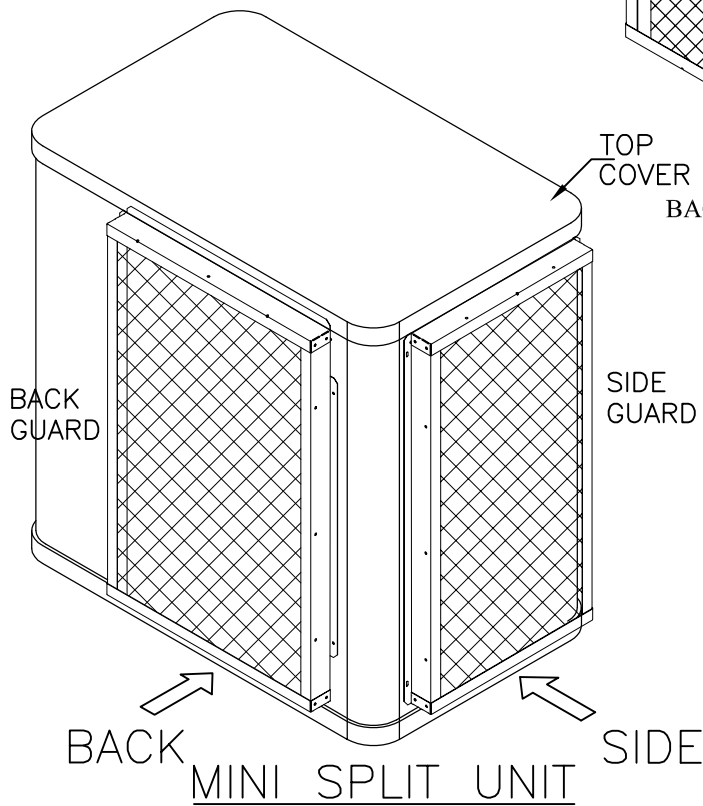
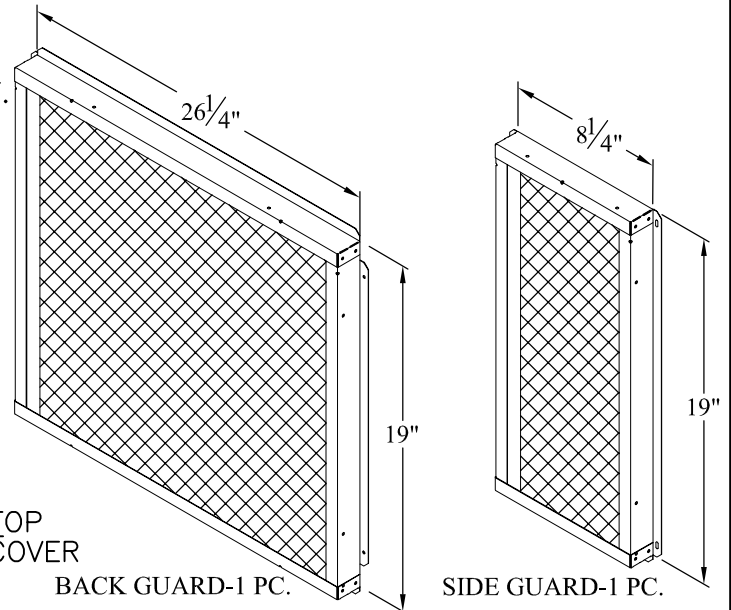


FIG. 1

**NOTE:- BE CAREFUL NOT TO DAMAGE THE COIL WHILE INSTALLING THE GUARDS.  
THE SELF DRILLING SCREWS PROVIDED CAN BE USED ON THE SIDES WITHOUT MATCHING HOLES IN THE UNIT.  
DO NOT REMOVE GRID. LEAVE IT ON THE UNIT.**

5000351 LCCGH055  
AUG. 3 / 16



# INSTALL INSTRUCTIONS FOR CONSOLIDATED COIL/HAIL GUARD TO SUIT LENNOX CAT # 15D21

## \*\*\*\*INSTALLATION PROCEDURE\*\*\*\*

1. DISCONNECT ALL POWER SOURCES TO THE UNIT.
2. BACK GUARD INSTALLTION:-
  - LOCATE AND REMOVE EXISTING SCREWS.
  - PLACE THE GUARD OVER THE UNIT. USE SCREW HOLES TO SECURE LEFT FLANGE USING #8-3/4" WAFER MODIFIED TEK SCREWS. (PROVIDED)
  - USE SAME SCREWS TO SECURE RIGHT FLANGE WITH THE UNIT.
3. SIDE GUARD INSTALLTION:-
  - LOCATE AND REMOVE EXISTING SCREWS.
  - PLACE THE GUARD OVER THE UNIT. USE SCREW HOLES TO SECURE RIGHT FLANGE USING #8-3/4" WAFER MODIFIED TEK SCREWS. (PROVIDED)
  - USE SAME SCREWS TO SECURE LEFT FLANGE OVER THE UNIT.

