



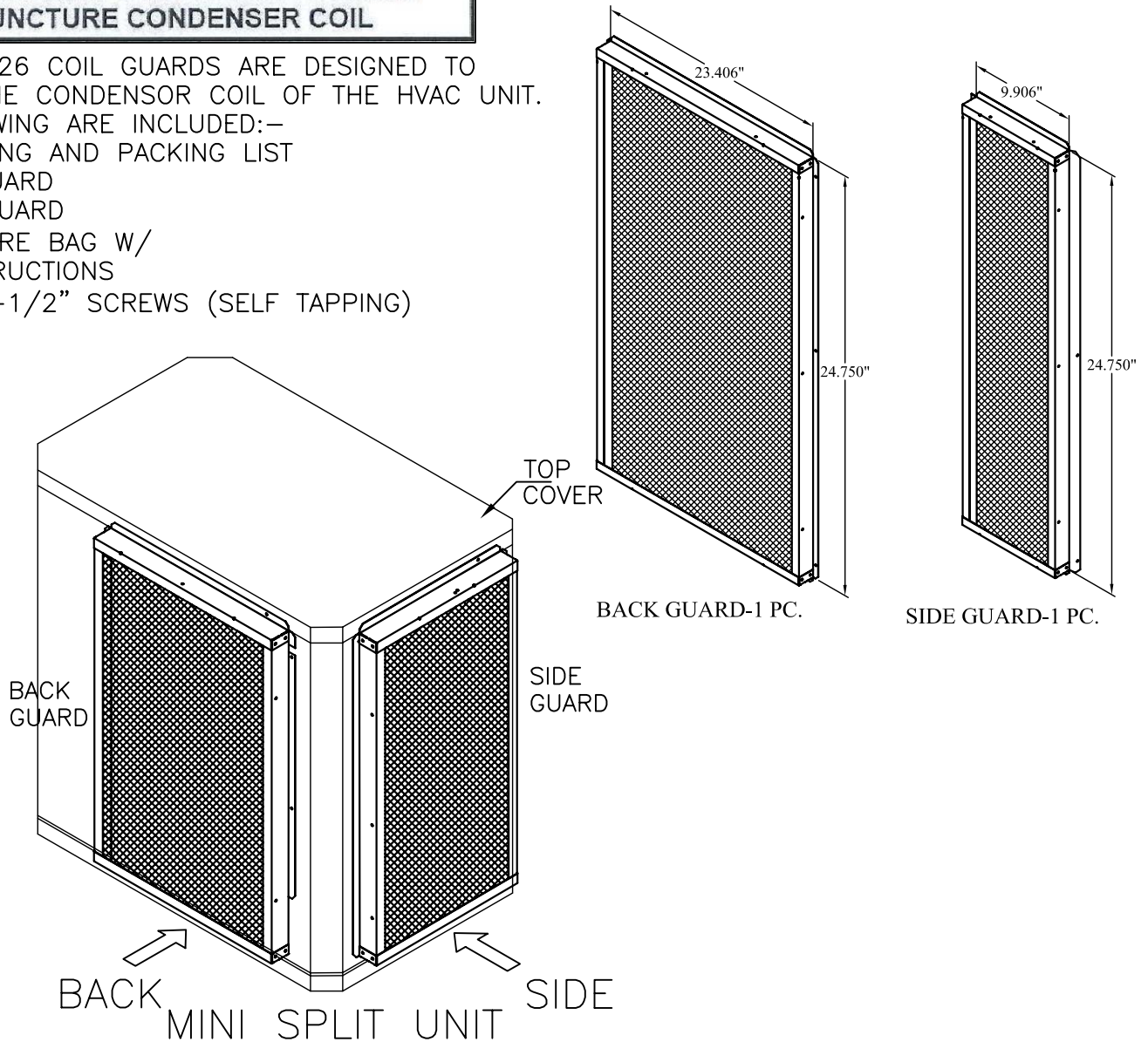
INSTALL INSTRUCTIONS FOR CONSOLIDATED COIL/HAIL GUARD TO SUIT LENNOX CAT # 15D26

⚠ CAUTION

WHEN INSTALLING COIL GUARD BE SURE
NOT TO PUNCTURE CONDENSER COIL

1. THE 15D26 COIL GUARDS ARE DESIGNED TO PROTECT THE CONDENSOR COIL OF THE HVAC UNIT. THE FOLLOWING ARE INCLUDED:—
SHIPPING AND PACKING LIST

- 1— SIDE GUARD
- 1— BACK GUARD
- 1— HARDWARE BAG W/
 - 1—INSTRUCTIONS
 - 8—#10—1/2" SCREWS (SELF TAPPING)



**NOTE:- BE CAREFUL NOT TO DAMAGE THE COIL WHILE INSTALLING THE GUARDS.
THE SELF DRILLING SCREWS PROVIDED CAN BE USED ON THE SIDES WITHOUT MATCHING HOLES IN THE UNIT.
DO NOT REMOVE WIRE FAN GUARD. LEAVE IT ON THE UNIT.**

5000357 LCCGH059

MAR.,13,2017



INSTALL INSTRUCTIONS FOR CONSOLIDATED COIL/HAIL GUARD TO SUIT LENNOX CAT # 15D26

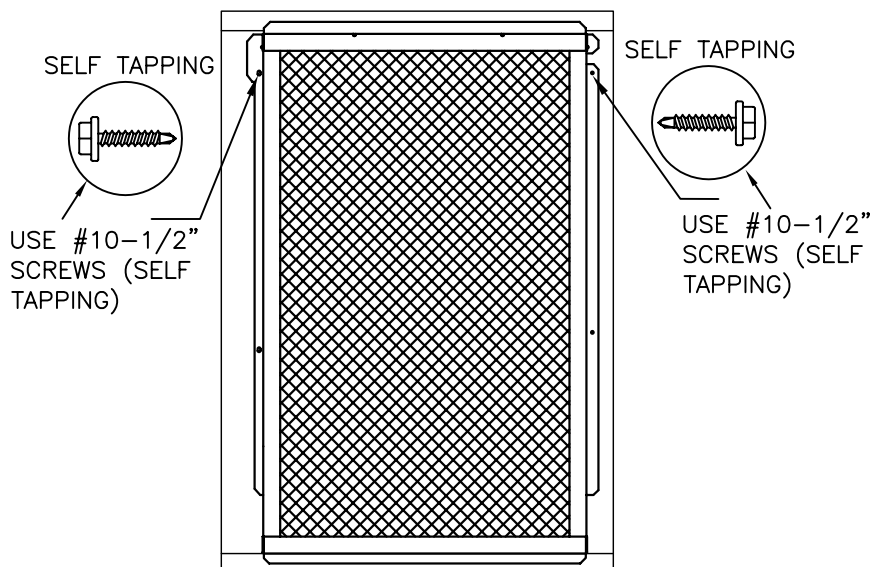
****INSTALLATION PROCEDURE****

1. DISCONNECT ALL POWER SOURCES TO THE UNIT.
2. REMOVE WIRE GRID ON BACK OF UNIT AND DISCARD.
3. BACK GUARD INSTALLATION:-

-LOCATE AND UNSCREW EXISTING SCREW ON THE UNIT. USE SAME SCREW HOLE TO LINE UP GUARD LEFT FLANGE ON TO THE UNIT. TO HOLD THE GUARD, USE #10X1/2" SELF TAPPING SCREWS (PROVIDED WITH PACKAGE). DO NOT USE EXISTING UNIT SCREWS JUST REMOVED. USE SAME SCREWS TO SECURE RIGHT FLANGE. PRACTICE EXTRA CAUTION WHILE SECURING GUARD TO AVOID ANY KIND OF COIL DAMAGE. (FIG.#2)

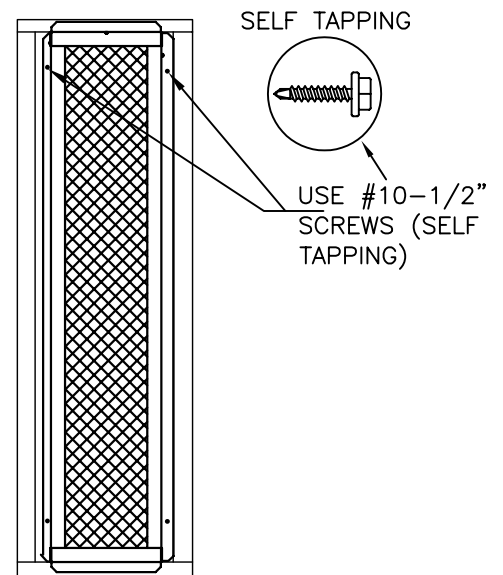
4. SIDE GUARD INSTALLATION:-

- SECURE LEFT AND RIGHT SIDE FLANGES ONTO THE UNIT BY SECURING THEM WITH #10X1/2" SELF TAPPING SCREWS (PROVIDED WITH PACKAGE).



BACK VIEW

FIG. 2



SIDE VIEW

FIG. 3