



Air Conditioners 2AC13

TECHNICAL SPECIFICATIONS

- Quiet, durable compressor is safeguarded by internal pressure relief valves and inherent thermal protection
- High-quality condenser coils use copper tubes with enhanced louvered fins for maximum heat transfer capability
- Special coil guard protects coils from fin damage
- Vertical air discharge sends hot air up and away from home and shrubbery
- All models ETL, ETL, and AHRI listed
- Permanently lubricated condenser fan motor needs no annual maintenance
- Designed with ease of service in mind featuring hinged control panel for simple access to internal components
- Angled service valves are positioned to allow easy access with low-loss fittings and are set for direct and straight line-set access to the home
- Factory-installed liquid line filter driers protect the compressors from contaminants
- The corrosion-resistant cabinet is built from strong, heavy-gauge prepainted steel and has drainage holes to quickly remove standing water from the base pan
- Every air conditioner is tested for leaks and proper operation at the factory to ensure faultless performance
- Charged for 15 feet of line-set

13 SEER
1.5 to 5 Tons

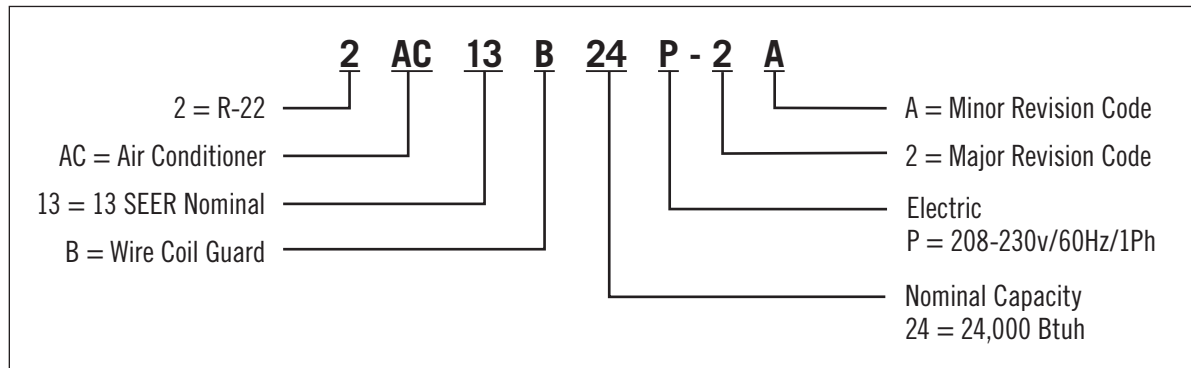


Warranty
Compressor - 5 Year Limited
Parts - 5 Year Limited

Air Conditioners

2AC13

Model Number Identification



Electrical Data / Specifications

Model No.	2AC13B18P-2A	2AC13B24P-2A	2AC13B30P-2A	2AC13B36P-2A	2AC13B42P-2A	2AC13B48P-2A	2AC13B60P-2A
Rated Voltage (Volts)	208-230	208-230	208-230	208-230	208-230	208-230	208-230
Phase	1	1	1	1	1	1	1
Frequency (Hz.)	60	60	60	60	60	60	60
Voltage Range	197-253	197-253	197-253	197-253	197-253	197-253	197-253
Maximum Overcurrent Protection	15	20	20	25	30	35	40
Minimum Circuit Ampacity	8.5	12.2	14.2	15	18.4	22.4	25.5
Compressor - Rated Load Amps	6.9	11.3	12	16.2	13.1	15.4	18.5
Compressor - Locked Rotor Amps	35	16	60	82	78	86	102
Fan Motor - Rated Load Amps	0.7	0.7	0.7	0.7	1.1	1.1	1.1
Fan Motor - HP	1/10	1/10	1/10	1/10	1/5	1/5	1/5
Fan Motor - Nominal RPM	1075	1075	1075	1075	1075	1075	1075
Refrigerant Charge (oz.)	84	89	97	128	122	132	188
Liquid Line Set	3/8	3/8	3/8	3/8	3/8	3/8	3/8
Suction Line Set	3/4	3/4	3/4	3/4	7/8	7/8	1-1/8*
Weight (lbs)	128	130	166	172	207	222	239

*Suction valve size is 7/8"; field supplied 7/8" to 1-1/8" adapter required. Use of 7/8" suction line reduces performance.

Accessories

Model No.	2AC13B18P-2A	2AC13B24P-2A	2AC13B30P-2A	2AC13B36P-2A	2AC13B42P-2A	2AC13B48P-2A	2AC13B60P-2A
Hard Start Kit	12W16	12W16	12W16	12W16	12W18	12W18	43W33
Low Pressure Switch	14W08	14W08	14W08	14W08	14W08	14W08	14W08
High Pressure Switch	14W09	14W09	14W09	14W09	14W09	14W09	14W09
Low Ambient Kit	14W11	14W11	14W11	14W11	14W11	14W11	14W11
Short Cycle Protection	14W07	14W07	14W07	14W07	14W07	14W07	14W07
Crankcase Heater	14W06	14W06	14W06	14W06	14W06	14W06	Factory
Compressor Sound Blanket	14W03	14W03	14W03	14W03	14W04	14W04	14W04

Air Conditioners

2AC13

Cooling Performance with RBC Air Handlers

Outdoor Unit Model No.	Indoor Unit Model No.	SEER	EER	¹ Rated Air Capacity	Rated Sensible Capacity	cfm	Indoor Metering Device	
							² Required Indoor Orifice	Optional Field Installed TXV
2AC13B18P-2A	RBCS2M18C	13.00	12.00	17,900	12,900	600	0.053	A2TXV01
2AC13B24P-2A	RBCS2M24C	13.00	11.50	23,400	17,600	750	0.062	A2TXV01
2AC13B30P-2A	RBCS2M30C	13.00	11.50	29,000	21,800	900	0.070	A2TXV01
2AC13B36P-2A	RBCS2M36C	13.00	11.50	35,000	27,000	1060	0.076	A2TXV01
2AC13B42P-2A	RBCS2M42C	13.00	11.00	39,500	27,600	1250	0.080	A2TXV02
2AC13B48P-2A	RBCS2M48C	13.00	12.00	45,000	32,000	1600	0.088	A2TXV02
2AC13B60P-2A	RBCSM260C	13.00	11.00	52,000	38,000	1800	0.098	A2TXV02

¹ Certified in accordance with Unitary Air Conditioning Program which is based on ARI Standard 210/240.

² Required to achieve ARI rating.

NOTE - A blower time delay is also required to achieve ARI rating. Furnished with RBC air handlers.

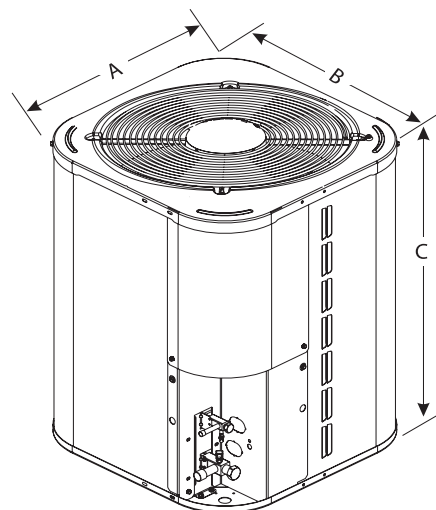
Sound Ratings

Model No.	Sound Rating dBA
2AC13B18P-2A	77
2AC13B24P-2A	77
2AC13B30P-2A	80
2AC13B36P-2A	80
2AC13B42P-2A	78
2AC13B48P-2A	80
2AC13B60P-2A	80

Dimensions

Model No.	2AC13B18P-2A	2AC13B24P-2A	2AC13B30P-2A	2AC13B36P-2A
Cabinet Width (A) in	22-1/2"	22-1/2"	30"	30"
Cabinet Depth (B) in	22-1/2"	22-1/2"	30"	30"
Height (C) in	25-3/4"	29-3/4"	29-3/4"	33-3/4"

Model No.	2AC13B42P-2A	2AC13B48P-2A	2AC13B60P-2A
Cabinet Width (A) in	30"	30"	30"
Cabinet Depth (B) in	30"	30"	30"
Height (C) in	37-3/4"	29-3/4"	33-3/4"



1.800.982.2333

www.aireflo-hvac.com



210512 2AC13 (09/09)

© Aire-Flo Heating and Cooling, 2009