



Heat Pumps 4HP14L

PRODUCT SPECIFICATIONS

- R-410A Refrigerant
- Compressors with internal pressure relief valves and inherent thermal protection
- Factory installed crankcase heater (36, 42, 48, 60 models only)
- High-quality outdoor coils constructed of copper tubes with enhanced louvered fins for maximum heat transfer
- Louvered cabinet protects coil from fin damage
- Vertical air discharge sends hot air up and away from home and shrubbery
- Permanently lubricated outdoor fan motor needs no annual maintenance
- Easy access to electrical panels, prewired for easy hook-up to internal components
- Integrated control with short cycle, defrost control and LED diagnostics
- 45-degree service valves for easy hook-up and service
- Liquid line filter drier factory installed
- All units are factory run tested
- Charged for 15 feet of line-set
- AHRI Certified and ETL listed

14 SEER
Up to 8.5 HSPF
1.5 to 5 Tons

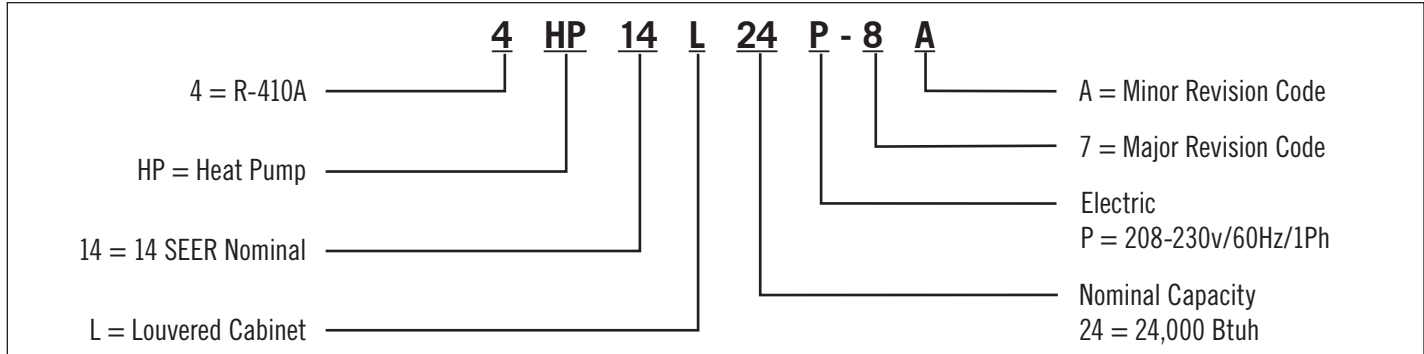


Warranty
Compressor - 5 Year Limited
Parts - 5 Year Limited

Heat Pumps

4HP14L

Model Number Identification



Electrical Data / Specifications

Model No.	4HP14L18P	4HP14L24P	4HP14L30P	4HP14L36P	4HP14L42P	4HP14L48P	4HP14L60P
Rated Voltage (Volts)	208-230	208-230	208-230	208-230	208-230	208-230	208-230
Phase	1	1	1	1	1	1	1
Frequency (Hz.)	60	60	60	60	60	60	60
Voltage Range	197-253	197-253	197-253	197-253	197-253	197-253	197-253
Maximum Overcurrent Protection	20	30	25	30	40	50	50
Minimum Circuit Ampacity	12.2	17.9	17.1	18.7	24.2	29.0	29.4
Compressor - Rated Load Amps	9.0	13.4	12.8	14.1	17.9	21.8	22.1
Compressor - Locked Rotor Amps	48	58	64	77	112	117	125
Fan Motor - Rated Load Amps	1.0	1.1	1.1	1.1	1.8	1.8	1.8
Fan Motor - HP	1/6	1/6	1/6	1/6	1/3	1/3	1/3
Fan Motor - Nominal RPM	825	825	825	825	825	825	825
Refrigerant Charge (oz.)	87	108	110	159	184	232	228
Liquid Line Set (in.)	3/8	3/8	3/8	3/8	3/8	3/8	3/8
Vapor Line Set (in.)	3/4	3/4	3/4	7/8	7/8	7/8	7/8
Weight (lbs.)	177	177	177	202	272	273	295

Accessories

Description	Catalog Number	Used With
Blower Off Delay Relay	58M81	58M81
Crankcase Heater	93M04	18, 24, 30 (furnished 36, 42, 48, 60)
Freezestat (3/8")	93G35	All Models
Freezestat (5/8")	50A93	All Models
Hard Start Kit	10J42	18
Hard Start Kit	88M91	24, 30, 36, 42, 48, 60
Loss of Charge Kit	84M23	All Models
Low Ambient Kit	45F08	All Models
Sound Blanket	69J03	All Models

Heat Pumps

4HP14L

Cooling/Heating Performance

Outdoor Unit Model No.	Rated Air Capacity	SEER	EER	Heating Capacity		HSPF	Indoor Unit Model No.	Furnace Model No.	Indoor Metering Device Field Installed TXV (Optional)	AHRI Reference No.
				High	Low					
4HP14L18P-8A,9A	18,000	14.00	12.00	17,800	11,800	8.20	BCS3M18C****P+TXV		12J18	7548204
4HP14L24P-7	23,400	15.00	12.50	20,000	12,400	8.50	A*24E(1,2)*+TXV	95AF2UH045V12B	12J18	5590872
4HP14L24P-7	23,400	15.00	12.50	20,000	12,400	8.50	A*24E(1,2)*+TXV	95AF2UH070V12B	12J18	5590875
4HP14L24P-7	23,400	15.00	12.50	20,000	12,400	8.50	A*30F(1,2)*+TXV	95AF2UH045V12B	12J18	5590873
4HP14L24P-7	23,400	15.00	12.50	20,000	12,400	8.50	A*30F(1,2)*+TXV	95AF2UH070V12B	12J18	5590876
4HP14L24P-7	23,400	14.00	11.50	20,400	12,400	8.20	A*30F(1,2)*+TXV+TD		12J18	4776091
4HP14L24P-7	23,400	15.00	12.50	20,000	12,400	8.50	A*36G(1,2)*+TXV	95AF2UH045V12B	12J18	5590874
4HP14L24P-7	23,400	15.00	12.50	20,000	12,400	8.50	A*36G(1,2)*+TXV	95AF2UH070V12B	12J18	5590877
4HP14L24P-8A	23,200	14.00	11.70	22,200	14,000	8.20	BCS3M24C****P+TXV		12J18	8583405
4HP14L24P-8A	24,600	16.00	13.00	21,600	13,500	8.50	CX34-25+TDR	95AF2UH045V12B	Factory	7918014
4HP14L24P-8A	24,600	16.00	13.00	21,600	13,500	8.50	CX34-25+TDR	95AF2UH070V12B	Factory	7918013
4HP14L30P-7	28,400	14.50	12.20	24,400	15,400	8.50	A*36G(1,2)*+TXV	95AF2UH070V12B	12J18	5590878
4HP14L30P-7	27,800	15.00	12.20	24,400	15,400	8.25	A*36G(1,2)*+TXV	95AF2UH090V12C	12J18	5590879
4HP14L30P-8A	28,200	14.00	12.00	26,200	17,100	8.20	BCS3M30C****P+TXV		12J18	8583406
4HP14L30P-8A	29,000	15.20	13.00	25,400	16,400	8.50	C33-36+TDR+TXV	95AF2UH070V12B	12J18	8858991
4HP14L30P-8A	29,800	15.20	13.00	25,600	16,600	8.50	CX34-31+TDR	95AF2UH045V12B	Factory	7918016
4HP14L30P-8A	29,800	15.50	13.20	25,600	16,500	8.50	CX34-31+TDR	95AF2UH070V12B	Factory	7918015
4HP14L30P-8A	29,000	15.20	13.00	25,400	16,400	8.50	CX34-36+TDR	95AF2UH070V12B	Factory	8858992
4HP14L36P-8A	34,600	14.00	12.00	34,600	21,400	8.20	BCS3M36C****P+TXV		12J19	8583407
4HP14L36P-8A	34,600	14.50	11.70	33,400	20,800	8.50	CBX32M-036*+TDR		Factory	9122002
4HP14L36P-8A	34,400	14.50	11.70	33,200	20,800	8.50	CBX32M-042*+TDR		Factory	9122003
4HP14L36P-8A	35,200	15.00	12.70	32,800	20,600	8.20	CX34-43+TDR	95AF2UH045V12B	Factory	7918018
4HP14L36P-8A	35,200	15.00	12.70	32,800	20,600	8.20	CX34-43+TDR	95AF2UH070V12B	Factory	7918017
4HP14L36P-8A	35,400	15.50	13.20	32,600	20,400	8.20	CX34-43+TDR	95AF2UH090V12C	Factory	7918019
4HP14L36P-8A	34,400	14.20	12.00	32,200	21,000	8.20	CX34-49+TDR		Factory	9101180
4HP14L42P-7	40,500	15.00	12.50	38,000	25,600	8.20	A*48D(1,2)*+TXV	95AF2UH090V20C	12J20	5590885
4HP14L42P-7	40,500	15.00	12.50	38,000	25,600	8.20	A*48D(1,2)*+TXV	95AF2UH110V20C	12J20	5590886
4HP14L42P-7	40,500	15.00	12.50	38,000	26,400	8.50	A*48D(1,2)*+TXV	95AF2UH135V20D	12J20	5590887
4HP14L42P-7	41,000	14.00	11.50	38,000	27,200	8.20	A*48D(1,2)*+TXV+TD		12J20	4776093
4HP14L42P-8A	42,500	14.00	12.00	45,500	28,200	8.20	BCS3M42C****P+TXV		12J20	8583408
4HP14L42P-8A	44,000	15.70	13.20	41,500	26,600	8.70	CX34-49+TDR	95AF2UH110V20C	Factory	7918020
4HP14L48P-7	47,000	14.50	12.00	44,000	28,000	8.20	A*48D(1,2)*+TXV	95AF2UH135V20D	12J20	5590888
4HP14L48P-7	47,000	14.00	11.50	44,500	28,000	8.20	A*48D(1,2)*+TXV+TD		12J20	4776094
4HP14L48P-7	47,000	14.50	12.20	44,000	28,000	8.20	A*60G(1,2)*+TXV	95AF2UH135V20D	12J20	5590889
4HP14L48P-7	47,000	14.00	12.20	44,000	28,000	8.20	AH60D(1,2)C+TXV+TD		12J20	7981476
4HP14L48P-8A	49,000	14.00	12.00	47,000	30,200	8.20	BCS3M48C****P+TXV		12J20	8583409
4HP14L48P-8A	49,000	14.50	12.70	46,000	30,000	8.50	CX34-49+TDR	95AF2UH110V20C	Factory	7918021
4HP14L60P-7	57,000	14.00	12.20	53,000	34,400	8.20	A*60G(1,2)*+TXV+TD		12J20	4776095
4HP14L60P-8A	58,500	14.00	12.00	55,500	35,800	8.20	BCS3M60C****P+TXV		12J20	8583410
4HP14L60P-8A	61,000	14.70	12.20	55,000	36,600	8.50	CX34-62C+TDR	95AF2UH110V20C	Factory	7918022

¹ AHRI Certified to Standard 210/240.

NOTE - All ratings include the use of a blower time delay. All BCS3 air handlers have time delay capabilities. If a coil is matched with a furnace, the furnace may require an optional time delay relay (58M81) for field installation. See furnace or air handler specifications to determine if relay is needed.

NOTES - +TXV = TXV required.

+TD or +TDR = Time Delay Relay required.

****P+TXV = Piston equipped models with optional TXV.

Heat Pumps

4HP14L

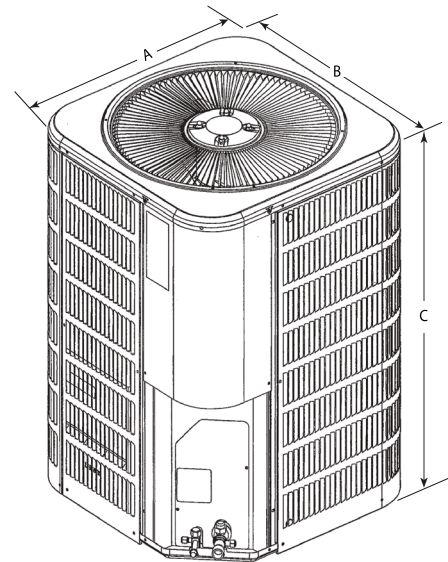
Sound Ratings

Model No.	Sound Rating dBA
4HP14L18P	76
4HP14L24P	76
4HP14L30P	76
4HP14L36P	79
4HP14L42P	79
4HP14L48P	80
4HP14L60P	80

Dimensions

Model No.	4HP14L18P	4HP14L24P	4HP14L30P	4HP14L36P
Cabinet Width (A) in.	28-1/4"	28-1/4"	28-1/4"	28-1/4"
Cabinet Depth (B) in.	28-1/4"	28-1/4"	28-1/4"	28-1/4"
Height (C) in.	37-1/4"	37-1/4"	37-1/4"	33-1/4"

Model No.	4HP14L42P	4HP14L48P	4HP14L60P
Cabinet Width (A) in.	32-1/4"	32-1/4"	32-1/4"
Cabinet Depth (B) in.	32-1/4"	32-1/4"	32-1/4"
Height (C) in.	37-1/4"	37-1/4"	43-1/4"



Revisions

Sections	Description of Change
Cooling/Heating Performance	Updated.



1.800.982.2333
www.aireflo-hvac.com

210572 4HP14 (10/16)

© Aire-Flo Heating and Cooling, 2016