



# Indoor Coils AC / AU

## PRODUCT SPECIFICATIONS

- R-410A Refrigerant Ready (Piston change required for R-22 application)
- External florator assembly for easy piston changes and fast screw-on TXV installation
- Heavy Gauge Embossed Galvanized Cabinets Are Fully Lined With 1/2" Foil Faced Insulation (Cased Coils)
- Interlocking Door Assemblies and Snug Line Seal Grommets Minimize Air Leakage (Cased Coils)
- Rifled Copper Tubing
- Lance Fin Design for enhanced heat transfer
- Dual Condensate Drain Connections
- Hydrotec™ Low Water Retention Drain Pan With Microban® Antimicrobial Additive
- UV Resistant Drain Pans Constructed of High Temperature Engineering Polymer
- Coils are individually tested, pressurized and sealed at the factory
- ISO 9002 Registered Manufacturing Quality System
- UL Listed

## Upflow / Counterflow Cased (AC) / Uncased (AU) 2 to 5 Tons

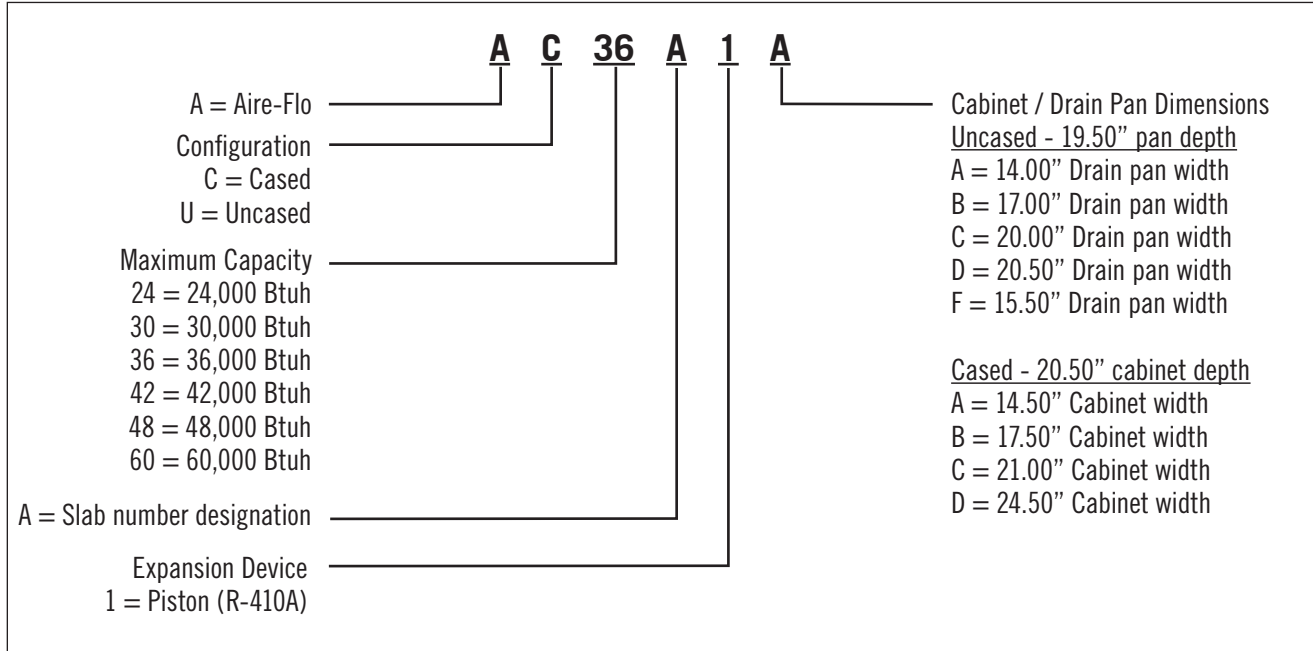


**Warranty**  
5 Year Limited

# Indoor Coils

## AC / AU

### Model Number Identification



### Specifications

General Data	Uncased Model No.	AU24E1A AU24E1F AU24E1B	AU30F1F AU30F1B	AU36G1F AU36G1B	AU42A1B AU42A1C	AU48B1C	AU60G1D
	Cased Model No.	AC24E1A AC24E1B	AC30F1B	AC36G1A AC36G1B	AC42A1B AC42A1C	AC48B1B AC48B1C AC48D1C	AC60G1C AC60G1D
	Nominal size – tons	2	2.5	3	3.5	4	5
Line Connections	Suction o.d. – in. sweat	3/4	3/4	3/4	7/8	7/8	7/8
	Liquid o.d. – in. sweat	3/8	3/8	3/8	3/8	3/8	3/8
	Condensate drain (fpt) – in.	(2) 3/4	(2) 3/4	(2) 3/4	(2) 3/4	(2) 3/4	(2) 3/4
Air Data	CFM	800	1000	1200	1400	1600	2000
	Face Velocity (fpm)	299	321	337	315	327 (B, C) 274 (D)	346
	*Air Pressure Drop (in. w.g.) Uncased	0.25 (1A) 0.21 (1F) 0.20 (1B)	0.23 (1F) 0.20 (1B)	0.28 (1F) 0.24 (1B)	0.27 (1B) 0.25 (1C)	0.27 (1C)	0.30 (1D)
	*Air Pressure Drop (in. w.g.) Cased	0.25 (1A) 0.20 (1B)	0.20 (1B)	0.30 (1A) 0.24 (1B)	0.27 (1B) 0.25 (1C)	0.28 (1B) 0.27 (1C) 0.30 (1D)	0.30 (1C) 0.30 (1D)
Weight – lbs.	Uncased	24	28	32	39	41	50
	Cased	34	38	44	53	57	63

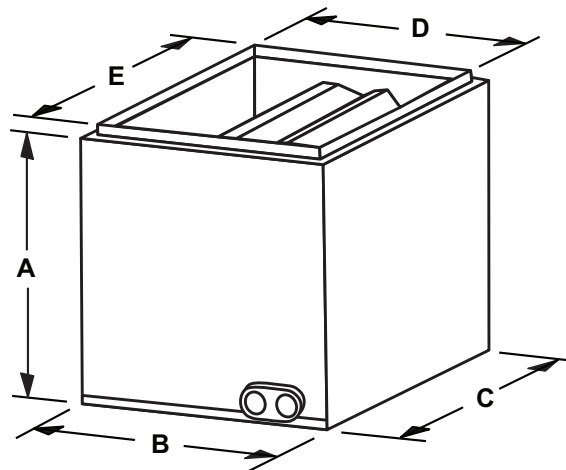
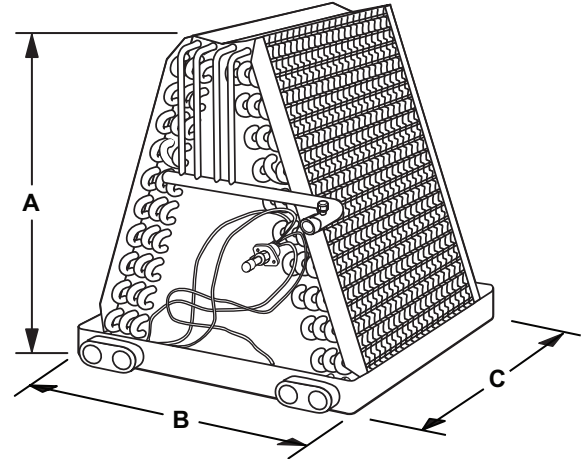
\*Air pressure drop data is under wet conditions.

NOTE - Face velocity above 350 ft/min is not recommended for counterflow applications due to potential water blow-off.

# Indoor Coils AC / AU

## Dimensions (Uncased)

Model No.	Height	Width	Depth
	A	B	C
AU24E1A	13.00	14.00	19.50
AU24E1F	13.00	15.50	19.50
AU24E1B	13.00	17.00 </td <td>19.50</td>	19.50
AU30F1F	15.00	15.50	19.50
AU30F1B	15.00	17.00	19.50
AU36G1F	17.00	15.50	19.50
AU36G1B	17.00	17.00	19.50
AU42A1B	21.00	17.00	19.50
AU42A1C	21.00	20.00	19.50
AU48B1C	23.00	20.00	19.50
AU60G1D	27.00	20.50	19.50



## Dimensions (Cased)

Model No.	Height	Width	Depth	Top Opening		Bottom Opening	
	A	B	C	D	E	Width	Depth
AC24E1A	16.50	14.50	20.50	13.00	19.00	13.50	20.00
AC24E1B	16.50	17.50	20.50	16.00	19.00	16.50	20.00
AC30F1B	16.50	17.50	20.50	16.00	19.00	16.50	20.00
AC36G1A	18.50	14.50	20.50	13.00	19.00	13.50	20.00
AC36G1B	18.50	17.50	20.50	16.00	19.00	16.50	20.00
AC42A1B	22.50	17.50	20.50	16.00	19.00	16.50	20.00
AC42A1C	22.50	21.00	20.50	19.50	19.00	20.00	20.00
AC48B1B	25.50	17.50	20.50	16.00	19.00	16.50	20.00
AC48B1C	25.50	21.00	20.50	19.50	19.00	20.00	20.00
AC48D1C	27.50	21.00	20.50	19.50	19.00	20.00	20.00
AC60G1C	27.50	21.00	20.50	19.50	19.00	20.00	20.00
AC60G1D	27.50	24.50	20.50	23.00	19.00	23.50	20.00

# Indoor Coils

## AC / AU



1.800.982.2333  
[www.aireflo-hvac.com](http://www.aireflo-hvac.com)

