



Gas Furnaces CG95

PRODUCT SPECIFICATIONS

INSTALLATION OPTIONS

- Available in Upflow/Horizontal

HEAT EXCHANGER

- Aluminized steel design primary heat exchanger with crimped construction for long life
- Stainless steel secondary heat exchanger

BURNERS

- Aluminized steel inshot burners for smooth efficient combustion

CABINET CONSTRUCTION

- Unitized construction for cabinet integrity
- Solid base cabinet design
- Baked on pre-painted steel cabinet finish
- Left or right side gas and electric entry

BLOWER

- Easily removable slide-out blower design
- PSC multi-speed permanently lubricated blower motor for low maintenance and optimum efficiency

CONTROLS

- Single stage gas valve
- Integrated ignition and fan control board features self diagnostics
- Hot surface ignitor

VENTING

- One or two pipe venting ready

95% AFUE
40,000 to 100,000 Btuh Input
1.5 to 5 Tons Add-On Cooling



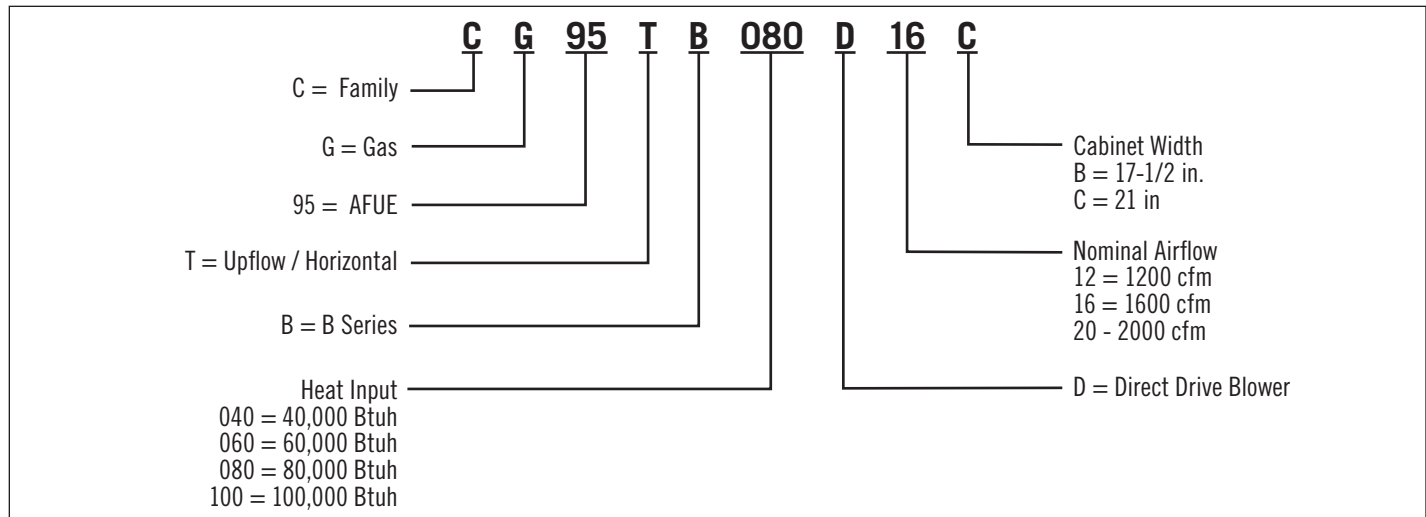
Proper sizing and installation of equipment is critical to achieve optimal performance.

Ask your contractor for details or visit www.energystar.gov

Warranty
Heat Exchanger - 20 Year Limited
Parts - 5 Year Limited

Gas Furnaces CG95

Model Number Identification



Specifications

Model No.	CG95TB040D12B	CG95TB060D12B	CG95TB080D16C	CG95TB100D20C
	Upflow / Horiz.	Upflow / Horiz.	Upflow / Horiz.	Upflow / Horiz.
Input Btuh	40,000	60,000	80,000	100,000
Output Btuh	38,000	57,000	76,000	95,000
AFUE (Isolated Comb. System)	95.0%	95.0%	95.0%	95.0%
Temperature Rise (°F)	30 - 60	40 - 70	40 - 70	40 - 70
Gas Pipe Size (in.)	1/2	1/2	1/2	1/2
Inlet/Vent Connection - in. (Dia.)	2	2	2	2
Volts/Hertz/Phase	120/60/1	120/60/1	120/60/1	120/60/1
Blower Motor Horsepower	1/3	1/3	3/4	0.9
Add-On Cooling (tons)	1.5 - 3	1.5 - 3	2.5 - 4	3 - 5
Circuit Breaker or Fuse	15	15	15	15
Full Load Amps	5.4	6.1	7.2	10.4
Blower Wheel Size (Dia. x Width)	10 x 8	10 x 8	12 x 10	12 x 10
Shipping Weight (lbs.)	160	185	195	215

Filter Requirements

¹ Maximum Airflow cfm	Disposable Filters			² Permanent (Cleanable) Filters		
	³ Minimum Area - sq. in.	³ Size - in.	Quantity	³ Minimum Area in ²	³ Size - in.	Quantity
1200	576	16 x 20	2	288	16 x 20	1
1600	768	20 x 20	2	384	20 x 20	1
2000	960	20 x 25	2	480	20 x 25	1

Notes:

¹ The Airflow Descriptor is the two digits following the "D" in the model number; e.g. "16" is the Airflow Descriptor for CG95TB080D16C (1600 cfm).

² Areas and dimensions shown for cleanable filters are based on filters rated at 600 feet per minute face velocity.

³ Typical filter sizes are shown, however, any combination of filters whose area equals or exceeds the minimum area shown is acceptable.

Note: Two filters are required for airflow exceeding 1600 cfm.

Gas Furnaces CG95

Blower Data

Model No.	Blower Speed	¹ CFM @ External Static Pressure - in w.c. With Filter(s)							
		.20	.30	.40	.50	.60	.70	.80	.90
CG95TB04012B	High	1355	1305	1255	1200	1120	1060	980	880
	Med/High	1085	1075	1045	1010	965	915	840	750
	Med	865	855	840	815	780	740	680	605
	Low	740	730	720	680	665	620	575	500
CG95TB06012D	High	1390	1335	1270	1205	1140	1065	950	860
	Med/High	1230	1175	1135	1080	1010	930	840	720
	Med	1010	985	955	910	870	805	720	585
	Low	870	845	835	800	760	690	600	495
CG95TB080D16C	High	1975	1925	1865	1805	1745	1665	1580	1495
	Med/High	1705	1665	1620	1585	1535	1475	1400	1300
	Med	1480	1455	1425	1395	1345	1300	1240	1180
	Med/Low	1260	1240	1215	1185	1140	1100	1045	975
	Low	970	945	910	890	860	790	745	675
CG95TB100D20C	High	2135	2035	1930	1840	1735	1645	1545	1505
	Med/High	2020	1950	1880	1830	1725	1630	1530	1440
	Med	1930	1865	1810	1720	1,660	1555	1480	1345
	Med/Low	1720	1665	1575	1525	1415	1315	1240	1160
	Low	1505	1435	1335	1320	1250	1185	1085	995

Gas Furnaces

CG95

Vent Length Specifications - Maximum

Model No.	Pipe Size Diameter (in.)		
	2	2-1/2	3
CG95TB040D12B	60 ft.	90 ft.	90 ft.
CG95TB060D12B	60 ft.	90 ft.	90 ft.
CG95TB080D16C	40 ft.	60 ft.	90 ft.
CG95TB100D20C	NR	50 ft.	60 ft.

Notes:

Allowance for vent and air intake terminals included in lengths shown.

One 90° elbow equals 5 ft. of pipe. Preferred fittings are DWV (Drain, Waste, Vent) or long sweep.

Minimum length 5 ft. and 1 elbow not including the vent and air intake terminals.

2" diameter not recommended for altitudes above 4000 ft.

3" diameter required for altitudes above 5000 ft.

Clearance to Combustibles (in.)

Top	Right Side	Left Side	Front	Back	Vent
1	0	0	¹ 2	0	0

Notes:

¹ 18 in. front horizontal installations.

Accessories

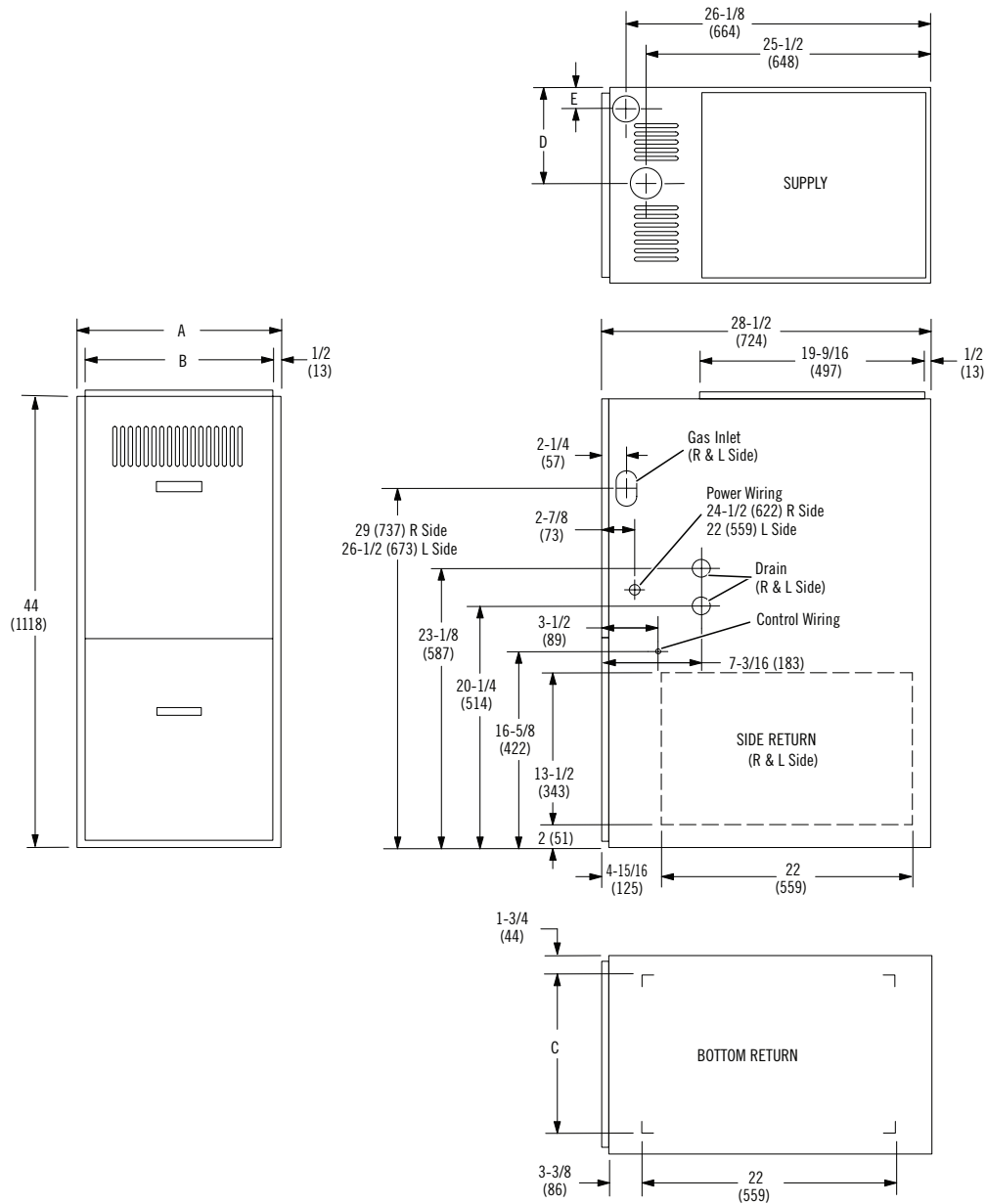
Model No.	CG95TB040D12B	CG95TB060D12B	CG95TB080D16C	CG95TB100D20C
Concentric Vent Kit - 2 in.	71M80	71M80	71M80	71M80
Concentric Vent Kit - 3 in.	60L46	60L46	60L46	60L46
¹ Horizontal Drain Kit	54W94	54W94	54W94	54W94
Natural to LP Gas Conversion Kit	53W15	53W15	53W15	53W15
Twinning Kit	1.841136	1.841136	1.841136	1.841136

¹ For Canada only (UL636 compliant). Replaces existing drain furnished with unit (for horizontal applications only).

NOTE - Horizontal Drain Kit is furnished as standard with all "TB" models for the US.

Gas Furnaces CG95

Dimensions - inches (mm)



Model No.	A		B		C		D		E	
	in.	mm	in.	mm	in.	mm	in.	mm	in.	mm
CG95TB040D12B	17-1/2	445	16-1/2	419	14	356	10-1/8	257	2	51
CG95TB060D12B	17-1/2	445	16-1/2	419	14	356	11-3/4	298	2	51
CG95TB080D16C	21	533	20	508	17-1/2	445	15	381	2	51
CG95TB100D20C	21	533	20	508	17-1/2	445	16-1/2	419	1-5/8	41



1.800.982.2333

www.aireflo-hvac.com



210547 (08/09)

© Aire-Flo Heating and Cooling, 2009