



PRODUCT SPECIFICATIONS

Bulletin No. 210635
December 2012
Supersedes October 2012



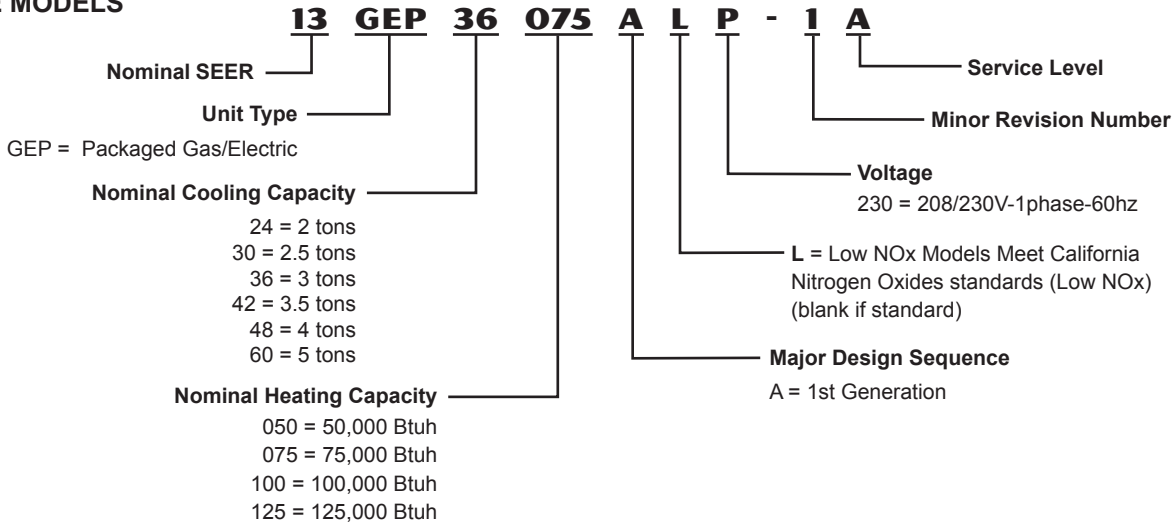
(13GEP Shown)

SEER - 13.00
AFUE - 80%
2 to 5 Tons

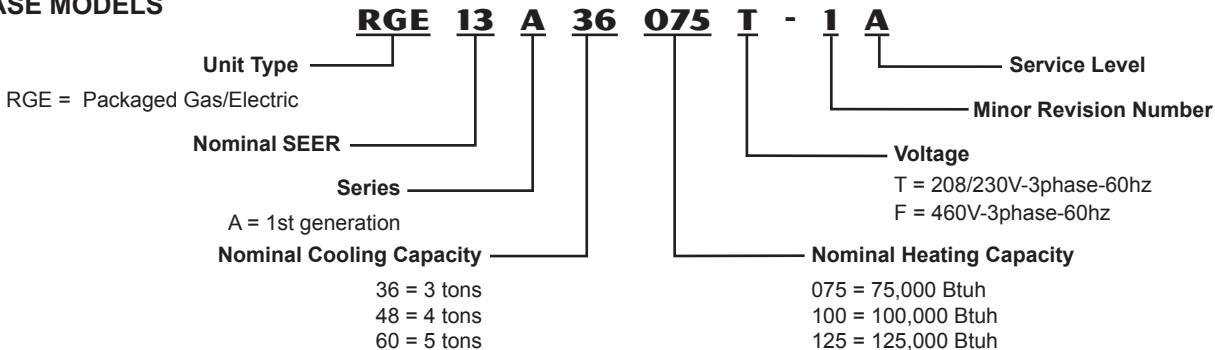
Cooling Capacity - 22,800 to 56,000 Btuh
Gas Input Heat Capacity - 50,000 to 125,000 Btuh

MODEL NUMBER IDENTIFICATION

1-PHASE MODELS



3-PHASE MODELS



FEATURES

CONTENTS

Accessories Dimensions.....	12
Blower Data	10
Cooling Ratings	9
Dimensions	11
Electrical Data - 1-Phase	4
Electrical Data - 3-Phase	6
Features.....	2
High Altitude Derate.....	8
Installation Clearances	9
Minimum Clearance To Combustible Material	9
Model Number Identification	1
Options / Accessories	8
Specifications - 1-Phase Models	4
Specifications - 3-Phase Models	6
Specifications - Gas Heat	8

EQUIPMENT WARRANTY

(NOTE - Warranty below for 13GEP models refers to non-residential applications)

Heat Exchanger - ten year limited warranty.

Compressor - five year limited warranty.

All other covered components - one year.

APPROVALS

AHRI Certified to AHRI Standard 210/240-2008.

ETL listed.

Single-Phase low NOx “L” models meet California Nitrogen Oxides (NOx) standards.

Packaged unit and components within bonded for grounding to meet safety standards required by ETL.

Each unit test operated at the factory before shipment ensuring dependable operation at start-up.

APPLICATIONS

Designed for outdoor installations at ground level or rooftop applications.

HEATING SYSTEM

Heat Exchanger

Aluminized steel tapered S-curve.

Crimped no-weld construction.

Compact design reduces space requirements in unit cabinet.

Heat exchanger has been laboratory life cycle tested.

Inshot Burners

Aluminized steel inshot burners provide efficient trouble free operation.

Burner venturi mixes air and gas in correct proportion for proper combustion.

Burner assembly is removable from the unit as a single component for ease of service and each burner may be removed individually.

Gas Control Valve

24 volt redundant combination gas control valve combines manual shut off valve (On-Off), automatic electric valve (dual) and gas pressure regulation into a compact combination control.

Combustion Air Inducer

Heavy duty combustion air inducer prepurges heat exchanger and safely vents flue products.

Blower is controlled by the ignition control board.

Pressure switch proves blower operation before allowing gas valve to open.

Combustion air inducer operates during heating cycle.

Limit Controls

Automatic reset, primary and secondary limits are accurately located.

Primary limit factory installed on heating vestibule panel on all units, secondary limit factory installed on blower housing.

Flame Rollout Switch

Manual reset switch is factory installed on burner box.

Switch provides protection from abnormal operating conditions.

Ignition Control Board

Ignition control with LED diagnostics.

OPTIONS

LPG/Propane Conversion Kit

Required for field changeover from natural gas to LPG/Propane.

REFRIGERATION SYSTEM

R-410A Refrigerant

Non-chlorine, ozone friendly, R-410A.

Unit pre-charged with refrigerant.

See Specification table.



Evaporator and Condenser Coils

Copper tube with aluminum fin coils.

Coated coil guard protects condenser coil.

Evaporator Coil Drain Pan

Corrosion resistant plastic drain pan.

Condenser Fan

Weather protected heavy duty condenser fan motor with coated steel fan blades for long life.

Totally enclosed motor.

Fan guard constructed of corrosion-resistant coated steel.

High Pressure Switch

Shuts off unit if abnormal operating conditions cause the discharge pressure to rise above setting.

Protects compressor from excessive condensing pressure. Automatic reset.

FEATURES

COMPRESSOR

Heavy duty, hermetically sealed reciprocating compressor on 36 through 48 models.

Scroll compressor on 24, 30 and 60 models.

Overload protected.

Running gear spring mounted within sealed housing (36 through 48 models).

Resiliently mounted on rubber mounts.

SUPPLY AIR BLOWER

Direct Drive Blower

Each blower assembly statically and dynamically balanced.

Blower assembly easily removed for servicing

Multi-speed, direct drive blower motor.

Change in blower speed is easily accomplished by simple wiring change on blower motor.

See Blower Performance tables

CONTROLS

24 Volt Transformer

40VA transformer furnished and factory installed in control area.

Single pole contactor (13GEP models).

3-Pole Double-Break Contactor (RGE13 models).

Furnished and factory installed.

OPTIONS / ACCESSORIES

Blower Delay On Kit

Delays indoor blower start-up on a gas heat demand.

Allows the heat exchanger to warm-up before blower operation for increased comfort.

Compressor Timed-Off Control

Prevents compressor short-cycling and allows time for suction and discharge pressure to equalize. Permits compressor start-up in an unloaded condition. Automatic reset with 5 minute delay between compressor shut-off and start-up.

Thermostat

See Thermostat bulletins in Controls section and Lennox Price Book for a complete list of thermostats.

CABINET

Conditioned areas insulated with foil faced insulation to minimize heat loss and reduce operating sound levels.

Powder paint for maximum durability.

Easy service access.

Coated steel wire guard provides complete coil protection.

Interchangeable panels for horizontal to down-flow airflow conversion furnished (shipped for horizontal).

Three-Phase Models Only - Factory installed wiring harness for optional Economizer allows fast and easy electrical connections.

Economizer must be field wired when used with single phase models.

Gas Piping Inlets, Electrical Inlets and Service Valves

Gas piping and field wiring inlets are located in one area of the cabinet. See dimension drawing.

Gauge ports are located outside the cabinet.

AIR FILTER (NOT FURNISHED - REQUIRED)

Filter rails for mounting 1 inch filter are furnished in cabinet. Filter is not furnished and must be field provided.

See Specifications Table for sizes.

OPTIONS / ACCESSORIES

ROOF CURB

Roof Curb, Downflow

Nailer strip furnished, mates to unit, shipped knocked down. See dimension drawing.

ECONOMIZER

Downflow or horizontal, parallel gear-driven action return air and outdoor air dampers, plug-in connections to unit, nylon bearings, neoprene seals, 24-volt, fully-modulating, spring return motor, adjustable minimum damper position.

Barometric relief dampers are furnished in downflow economizer.

NOTE - Downflow economizer is not available for 13GEP48 and 13GEP60 single-phase models.

OUTDOOR AIR DAMPER

Manual or motorized. Perforated air intake panel replaces existing duct cover on unit.

0 to 25% (fixed)

Manual outdoor air damper has adjustable damper slide.

Motorized outdoor air damper has motorized damper assembly with adjustable damper slide.

Outdoor air hood with cleanable filter included.

SPECIFICATIONS - 1-PHASE MODELS

General Data		Model No.	13GEP24 050ALP	13GEP30 050ALP	13GEP30 075ALP	13GEP36 075ALP	13GEP36 100AP
Nominal Tonnage			2	2.5	2.5	3	3
Gas Heat Available - See page <?>			50,000	50,000	75,000	75,000	100,000
Cooling Performance	Total cooling capacity - Btuh		22,800	28,000	28,000	34,000	34,000
	Total unit watts		2070	2545	2545	3090	3090
	¹ SEER (Btuh/Watt)		13.00	13.00	13.00	13.00	13.00
	EER (Btuh/Watt)		11.00	11.00	11.00	11.00	11.00
	² Sound Rating Number (dB)		78	79	79	78	78
Refrigerant	Type		R-410A	R-410A	R-410A	R-410A	R-410A
	Charge		4 lbs. 8 oz.	4 lbs. 4 oz.	4 lbs. 4 oz.	7 lbs. 10 oz.	7 lbs. 10 oz.
Condensate drain size (fpt) - in.			3/4	3/4	3/4	3/4	3/4
Outdoor Coil Fan	Motor horsepower		1/10	1/5	1/5	1/4	1/4
	Diameter - in. & No. of blades		18 - 3	18 - 4	18 - 4	18 - 4	18 - 4
Indoor Blower	Blower wheel size dia. x width - in.		10 x 8	10 x 8	10 x 8	10 x 8	10 x 8
	Motor horsepower		1/3	1/3	1/2	1/2	1/2
⁵ Filter Dimensions (filter not furnished)			(1) 24 x 28 x 1	(1) 24 x 28 x 1	(1) 24 x 28 x 1	(1) 24 x 28 x 1	(1) 24 x 28 x 1
Net weight of basic unit - lbs.			337	342	352	392	402
Shipping weight of basic unit (1 Pkg.) - lbs.			350	355	365	405	415
Electrical characteristics (60 hz)		208/230V-1ph-60hz					

ELECTRICAL DATA - 1-PHASE

Line voltage data - 60hz 1 phase		208/230V	208/230V	208/230V	208/230V	208/230V
³ Maximum overcurrent protection (amps)		30	35	35	30	30
⁴ Minimum Circuit Ampacity		20.3	21.5	22.8	21.7	21.7
Compressor	Rated load amps	13.4	14.1	14.1	13.1	13.1
	Locked rotor amps	58.3	73	73	74	74
Outdoor Coil Fan Motor	Full load amps	0.7	1.1	1.1	1.2	1.2
Indoor Blower Motor	Full load amps	2.8	2.8	4.1	4.1	4.1

NOTE-Extremes of operating range are plus and minus 10% of line voltage.

¹ Rated in accordance with AHRI Standard 210/240; 95°F outdoor air temperature, 80°F db/67°F wb entering evaporator air.

² Sound Rating Number rated in accordance with test conditions included in AHRI Standard 270.

³ HACR type circuit breaker or fuse.

⁴ Refer to National or Canadian Electrical Code manual to determine wire, fuse and disconnect size requirements.

⁵ Filters are not furnished and must be field provided.

SPECIFICATIONS - 1-PHASE MODELS

General Data		Model No.	13GEP42 075ALP	13GEP48 100ALP	13GEP60 100ALP	13GEP60 125AP
		Nominal Tonnage	3.5	4	5	5
Gas Heat Available - See page 8			75,000	100,000	100,000	125,000
Cooling Performance	Total cooling capacity - Btuh		40,000	46,000	56,000	56,000
	¹ SEER (Btuh/Watt)		13.00	13.00	13.00	13.00
	EER (Btuh/Watt)		11.00	11.00	11.00	11.00
	² Sound Rating Number (dB)		80	80	80	80
Refrigerant	Type		R-410A	R-410A	R-410A	R-410A
	Charge		5 lbs. 10 oz.	6 lbs. 8 oz.	8 lbs. 12 oz.	8 lbs. 12 oz.
Condensate drain size (fpt) - in.			3/4	3/4	3/4	3/4
Outdoor Coil Fan	Motor horsepower		1/3	1/3	1/3	1/3
	Diameter - in. & No. of blades		22 - 3	22 - 3	22 - 3	22 - 3
Indoor Blower	Blower wheel size dia. x width - in.		10 x 10	10 x 10	11 x 10	11 x 10
	Motor horsepower		1/2	3/4	1	1
⁵ Filter Dimensions (filter not furnished)			(1) 30 x 30 x 1	(1) 30 x 30 x 1	(1) 30 x 30 x 1	(1) 30 x 30 x 1
Net weight of basic unit - lbs.			415	435	480	490
Shipping weight of basic unit (1 Pkg.) - lbs.			430	450	495	505
Electrical characteristics (60 hz)			208/230V-1ph-60hz			

ELECTRICAL DATA - 1-PHASE

Line voltage data - 60hz 1 phase		208/230V	208/230V	208/230V	208/230V
³ Maximum overcurrent protection (amps)		40	40	60	60
⁴ Minimum Circuit Ampacity		25.8	28.4	38.7	38.7
Compressor	Rated load amps	16.0	16.7	25.0	25.0
	Locked rotor amps	88	84	134	134
Outdoor Coil Fan Motor	Full load amps	1.7	1.7	1.7	1.7
Indoor Blower Motor	Full load amps	4.1	5.8	5.8	5.8

NOTE-Extremes of operating range are plus and minus 10% of line voltage.

¹ Rated in accordance with AHRI Standard 210/240; 95°F outdoor air temperature, 80°F db/67°F wb entering evaporator air.

² Sound Rating Number rated in accordance with test conditions included in AHRI Standard 270.

³ HACR type circuit breaker or fuse.

⁴ Refer to National or Canadian Electrical Code manual to determine wire, fuse and disconnect size requirements.

⁵ Filters are not furnished and must be field provided.

SPECIFICATIONS - 3-PHASE MODELS

General Data		Model No.	RGE13A36075	RGE13A36100
		Nominal Tonnage	3	3
Gas Heat Available - See page 8			75,000	100,000
Cooling Performance	Total cooling capacity - Btuh		34,000	34,000
	¹ SEER (Btuh/Watt)		13.0	13.0
	EER (Btuh/Watt)		11.0	11.0
	² Sound Rating Number (dB)		79	79
Refrigerant	Type		R-410A	R-410A
	Charge		7 lbs. 5 oz.	7 lbs. 5 oz.
Condensate drain size (fpt) - in.			3/4	3/4
Outdoor Coil Fan	Motor horsepower		1/4	1/4
	Motor rpm		1075	1075
	Diameter - in. & No. of blades		18 - 4	18 - 4
Indoor Blower	Motor horsepower		1/2	1/2
	Blower wheel size dia. x width - in.		10 x 8	10 x 8
⁵ Filter Dimensions (filter not furnished)			(1) 24 x 28 x 1	(1) 24 x 28 x 1
Shipping weight of basic unit (1 Pkg.) - lbs.			410	420
Electrical characteristics (60 hz)			208/230V-3ph	
ELECTRICAL DATA - 3-PHASE				
Line voltage data - 60hz 3 phase			208/230V	208/230V
³ Maximum overcurrent protection (amps)			20	20
⁴ Minimum Circuit Ampacity			16.1	16.1
Compressor	Rated load amps		8.6	8.6
	Locked rotor amps		68	68
Outdoor Coil Fan Motor	Rated load amps		1.2	1.2
Indoor Blower Motor	Rated load amps		4.1	4.1

NOTE-Extremes of operating range are plus and minus 10% of line voltage.

¹ AHRI Certified to AHRI Standard 210/240; 95°F outdoor air temperature, 80°F db/67°F wb entering evaporator air.

² Sound Rating Number rated in accordance with test conditions included in AHRI Standard 270.

³ HACR type circuit breaker or fuse.

⁴ Refer to National or Canadian Electrical Code manual to determine wire, fuse and disconnect size requirements.

⁵ Filters are not furnished and must be field provided.

SPECIFICATIONS - 3-PHASE MODELS

General Data		Model No.	RGE13A48100	RGE13A48125	RGE13A60100	RGE13A60125
		Nominal Tonnage	4	4	5	5
Gas Heat Available - See page 8			100,000	125,000	100,000	125,000
Cooling Performance	Total cooling capacity - Btuh		46,000	46,000	56,000	56,000
	¹ SEER (Btuh/Watt)		13.0	13.0	13.0	13.0
	EER (Btuh/Watt)		11.0	11.0	11.0	11.0
	² Sound Rating Number (dB)		80	80	80	80
Refrigerant	Type		R-410A	R-410A	R-410A	R-410A
	Charge		6 lbs. 8 oz.	6 lbs. 8 oz.	8 lbs. 12 oz.	8 lbs. 12 oz.
Condensate drain size (fpt) - in.			3/4	3/4	3/4	3/4
Outdoor Coil Fan	Motor horsepower		1/3	1/3	1/3	1/3
	Motor rpm		1075	1075	1075	1075
	Diameter - in. & No. of blades		22 - 3	22 - 3	22 - 3	22 - 3
Indoor Blower	Motor horsepower		3/4	3/4	1	1
	Blower wheel size dia. x width - in.		10 x 10	10 x 10	11 x 10	11 x 10
⁵ Filter Dimensions (filter not furnished)			(1) 30 x 30 x 1	(1) 30 x 30 x 1	(1) 30 x 30 x 1	(1) 30 x 30 x 1
Shipping weight of basic unit (1 Pkg.) - lbs.			465	475	515	525
Electrical characteristics (60 hz)		208/230V-3ph or 460V-3ph				

ELECTRICAL DATA - 3-PHASE

Line voltage data - 60hz 3 phase		208/230V	460V	208/230V	460V	208/230V	460V	208/230V	460V
³ Maximum overcurrent protection (amps)		30	15	30	15	40	20	40	20
⁴ Minimum Circuit Ampacity		22.3	10.7	22.3	10.7	27.3	13.8	27.3	13.8
Compressor	Rated load amps	11.8	5.2	11.8	5.2	15.9	7.0	15.9	7.0
	Locked rotor amps	88	44	88	44	110	52	110	52
Outdoor Coil Fan Motor	Rated load amps	1.7	1.0	1.7	1.0	1.7	1.0	1.7	1.0
Indoor Blower Motor	Rated load amps	5.8	3.2	5.8	3.2	5.8	4.0	5.8	4.0

NOTE-Extremes of operating range are plus and minus 10% of line voltage.

¹ AHRI Certified to AHRI Standard 210/240; 95°F outdoor air temperature, 80°F db/67°F wb entering evaporator air.

² Sound Rating Number rated in accordance with test conditions included in AHRI Standard 270.

³ HACR type circuit breaker or fuse.

⁴ Refer to National or Canadian Electrical Code manual to determine wire, fuse and disconnect size requirements.

⁵ Filters are not furnished and must be field provided.

SPECIFICATIONS - GAS HEAT

Unit Model No.	13GEP24050ALP 13GEP30050ALP	13GEP30075ALP 13GEP36075ALP 13GEP42075ALP RGE13A36075	13GEP36100AP RGE13A36100	13GEP48100ALP 13GEP60100ALP RGE13A48100 RGE13A60100	13GEP60125AP RGE13A48125 RGE13A60125	
Heat Option	050	075	100	100	125	
Heating Capacity Btuh	Input	50,000	75,000	100,000	100,000	125,000
	Output	40,000	60,000	80,000	80,000	100,000
¹ AFUE	80%	80%	80%	80%	80%	
Temperature Rise - °F	30 - 60	35 - 65	45 - 75	40 - 70	45 - 75	
Gas Supply Connection (FPT) - in.	1/2	1/2	1/2	1/2	1/2	
Min. Recommended Gas Supply Pressure	5 in. w.g. Natural Gas, 11 in. w.g. LPG/Propane					

¹ Annual Fuel Utilization Efficiency based on U.S. DOE test procedures and FTC labeling regulations.

HIGH ALTITUDE DERATE

Units may be installed at altitudes up to 2000 feet above sea level without any modification. At altitudes from 2001 to 4500 feet, units must be derated 5%. For elevations above 4500 feet, refer to the National Fuel Gas Code Z223.1 (latest edition) or the Canadian Installation Codes CAN/CGA-B149.1 & B149.2 for additional details.

NOTE - This is the only permissible derate for these units.

OPTIONS / ACCESSORIES

Item Description	Model Number	Catalog Number	Unit Model No					
			24	30	36	42	48	60
CONTROLS								
Blower Delay On Kit		98W84	X	X	X	X	X	X
Compressor Timed-Off Control		47J27	X	X	X	X	X	X
HEATING SYSTEM								
LPG/Propane Conversion Kit	ALPKT533-3	1.831004	X	X	X	X	X	X
ECONOMIZER								
Downflow	AECON825-1	1.851395	X	X	X			
	AECON826-1	1.851396				X	¹ X	¹ X
Horizontal	AECON827-1	1.851397	X	X	X			
	AECON828-1	1.851398				X	X	X
OUTDOOR AIR DAMPER								
Manual	ADMPR145-1	1.851274	X	X	X			
	ADMPR166-1	1.851293				X	X	X
Motorized	ADMPR146-1	1.851275	X	X	X			
	ADMPR167-1	1.851294				X	X	X
ROOF CURBS								
	ACURB160-1	1.851291	X	X	X			
	ACURB162-1	1.851292				X	X	X

NOTE - Catalog and model numbers shown are for ordering field installed accessories.

X = Field Installed

¹ Optional for three-phase models only.

INSTALLATION CLEARANCES

	in.	mm
Front (heat exchanger access)	24	610
Right Side (blower access)	24	610
Left Side (evaporator coil access)	24	610
Back	0	0
Top	48	1219

MINIMUM CLEARANCE TO COMBUSTIBLE MATERIAL

	in.	mm
Front	24	610
Back	2	51
Right Side (vent cover)	15	381
Left Side	12	305
Top	48	1219
Below Unit	0	0

COOLING RATINGS

Model No.	Indoor Temp DB/WB °F	Outdoor Temp - DB														
		65°F			82°F			95°F			105°F			115°F		
		Btuh	S/T	kW	Btuh	S/T	kW	Btuh	S/T	kW	Btuh	S/T	kW	Btuh	S/T	kW
13GEP24	85/72	28,800	0.60	1.50	26,700	0.62	1.83	25,100	0.64	2.09	22,700	0.68	2.33	20,300	0.71	2.35
	80/67	27,100	0.66	1.48	24,900	0.70	1.79	22,800	0.72	2.07	21,300	0.77	2.27	17,700	0.79	2.33
	75/63	25,500	0.70	1.47	22,800	0.76	1.79	20,700	0.80	2.04	18,200	0.83	2.29	15,700	0.85	2.32
	75/57	22,200	1.00	1.45	20,200	1.00	1.77	18,700	1.00	2.02	16,800	1.00	2.28	15,000	1.00	2.31
13GEP30	85/72	36,300	0.61	1.94	33,000	0.64	2.28	30,600	0.67	2.56	27,300	0.71	2.86	24,200	0.74	2.91
	80/67	33,800	0.68	1.91	30,700	0.73	2.25	28,000	0.76	2.55	25,200	0.81	2.79	21,500	0.83	2.88
	75/63	31,700	0.72	1.88	27,800	0.76	2.23	25,200	0.79	2.50	22,000	0.85	2.81	18,700	0.90	2.85
	75/57	27,200	1.00	1.85	24,600	1.00	2.21	22,600	1.00	2.49	20,300	1.00	2.80	18,000	1.00	2.84
13GEP36 RGE13A36	85/72	39,000	0.62	2.35	37,500	0.64	2.77	36,300	0.65	3.10	34,200	0.68	3.43	31,900	0.70	3.48
	80/67	36,800	0.69	2.34	36,100	0.71	2.73	34,000	0.72	3.09	31,000	0.76	3.33	29,000	0.78	3.47
	75/63	35,600	0.72	2.33	32,900	0.75	2.74	30,700	0.77	3.06	28,500	0.80	3.38	26,100	0.83	3.44
	75/57	32,000	1.00	2.29	31,000	1.00	2.71	30,300	1.00	3.03	28,100	1.00	3.35	25,800	1.00	3.40
13GEP42	85/72	51,800	0.63	2.81	47,800	0.66	3.27	44,800	0.68	3.64	41,000	0.70	3.89	37,100	0.72	3.88
	80/67	48,900	0.70	2.80	44,500	0.73	3.24	40,000	0.76	3.57	36,500	0.80	3.81	30,800	0.85	3.76
	75/63	46,100	0.73	2.79	40,900	0.76	3.19	37,000	0.79	3.50	32,000	0.86	3.73	27,000	0.92	3.70
	75/57	42,500	1.00	2.74	38,600	1.00	3.17	35,600	1.00	3.50	31,500	1.00	3.72	27,400	1.00	3.68
13GEP48 RGE13A48	85/72	58,200	0.64	3.30	53,700	0.66	3.83	50,300	0.68	4.23	44,800	0.72	4.49	39,300	0.75	4.52
	80/67	54,900	0.70	3.27	51,500	0.71	3.79	46,000	0.76	4.18	41,500	0.80	4.39	33,300	0.86	4.39
	75/63	51,600	0.73	3.24	45,900	0.77	3.74	41,500	0.80	4.12	34,900	0.86	4.33	28,400	0.91	4.32
	75/57	47,800	1.00	3.20	43,900	1.00	3.71	40,900	1.00	4.10	35,300	1.00	4.31	29,600	1.00	4.30
13GEP60 RGE13A60	85/72	67,500	0.62	3.83	63,500	0.64	4.54	60,700	0.65	5.08	56,500	0.66	5.65	52,200	0.67	5.60
	80/67	63,600	0.68	3.80	59,800	0.71	4.45	56,000	0.72	5.06	54,300	0.74	5.62	47,000	0.77	5.58
	75/63	60,300	0.71	3.77	55,500	0.73	4.48	52,200	0.75	5.02	47,300	0.78	5.57	42,400	0.81	5.52
	75/57	53,400	1.00	3.73	49,200	1.00	4.43	46,200	1.00	4.97	42,100	1.00	5.54	38,300	1.00	5.49

BLOWER DATA

13GEP24 BLOWER PERFORMANCE

¹ Horizontal Airflow

External Static Pressure in. w.g.	Air Volume at Specific Blower Taps (cfm)		
	Tap 1	Tap 2	Tap 3
0.10	500	830	1020
0.20	480	790	980
0.30	420	760	940
0.40	340	710	890
0.50	290	640	850
0.60	240	600	810
0.70	---	560	760
0.80	---	520	700

NOTE - All air data measured external to unit with dry coil and less filter.

¹ For downflow air volume, add 0.10 in. w.g. to duct static.

13GEP42 BLOWER PERFORMANCE

¹ Horizontal Airflow

External Static Pressure in. w.g.	Air Volume at Specific Blower Taps (cfm)		
	Tap 1	Tap 2	Tap 3
0.10	860	1460	1490
0.20	780	1400	1440
0.30	710	1340	1390
0.40	660	1280	1340
0.50	600	1230	1300
0.60	560	1180	1240
0.70	---	1140	1200
0.80	---	1100	1120

NOTE - All air data measured external to unit with dry coil and less filter.

¹ For downflow air volume, add 0.10 in. w.g. to duct static.

13GEP30 BLOWER PERFORMANCE

¹ Horizontal Airflow

External Static Pressure in. w.g.	Air Volume at Specific Blower Taps (cfm)		
	Tap 1	Tap 2	Tap 3
0.10	680	1080	1120
0.20	600	1040	1090
0.30	530	1000	1040
0.40	480	960	1010
0.50	440	930	980
0.60	380	890	930
0.70	---	840	890
0.80	---	780	840

NOTE - All air data measured external to unit with dry coil and less filter.

¹ For downflow air volume, add 0.10 in. w.g. to duct static.

13GEP48 AND RGE13A48 BLOWER PERFORMANCE

¹ Horizontal Airflow

External Static Pressure in. w.g.	Air Volume at Specific Blower Taps (cfm)		
	Tap 1	Tap 2	Tap 3
0.10	970	1680	1890
0.20	890	1640	1820
0.30	820	1590	1730
0.40	780	1540	1620
0.50	740	1450	1540
0.60	680	1330	1430
0.70	---	1260	1300
0.80	---	1180	1210

NOTE - All air data measured external to unit with dry coil and less filter.

¹ For downflow air volume, add 0.10 in. w.g. to duct static.

13GEP36 AND RGE13A36 BLOWER PERFORMANCE

¹ Horizontal Airflow

External Static Pressure in. w.g.	Air Volume at Specific Blower Taps (cfm)		
	Tap 1	Tap 2	Tap 3
0.10	760	1250	1370
0.20	680	1210	1330
0.30	600	1180	1280
0.40	550	1130	1250
0.50	490	1090	1210
0.60	---	1060	1170
0.70	---	1010	1120
0.80	---	960	1040

NOTE - All air data measured external to unit with dry coil and less filter.

¹ For downflow air volume, add 0.10 in. w.g. to duct static.

13GEP60 AND RGE13A60 BLOWER PERFORMANCE

¹ Horizontal Airflow

External Static Pressure in. w.g.	Air Volume at Specific Blower Taps (cfm)		
	Tap 1	Tap 2	Tap 3
0.10	1200	1870	2010
0.20	1130	1840	1970
0.30	1070	1800	1930
0.40	990	1760	1890
0.50	930	1700	1850
0.60	860	1650	1810
0.70	---	1600	1760
0.80	---	1550	1700

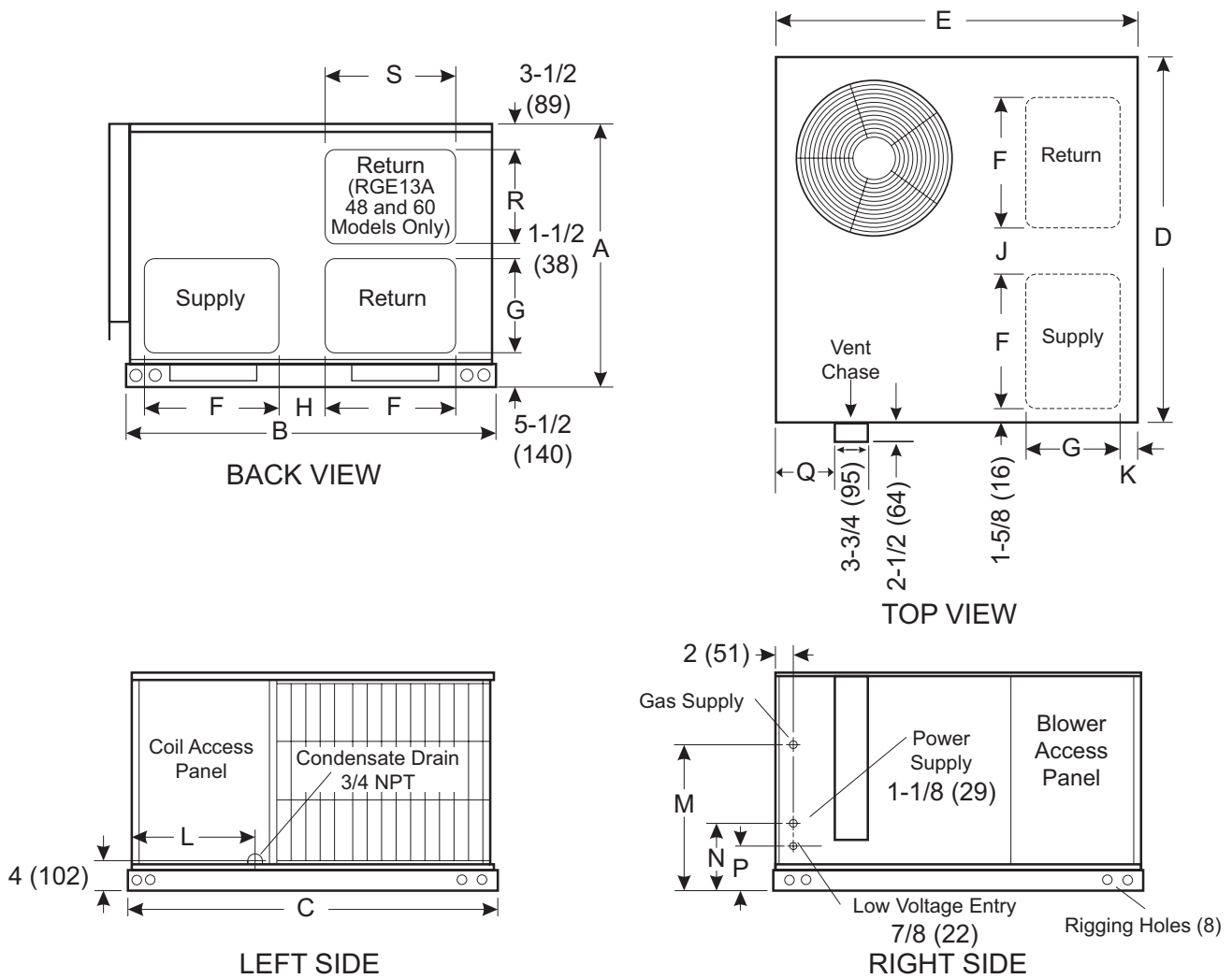
NOTE - All air data measured external to unit with dry coil and less filter.

¹ For downflow air volume, add 0.10 in. w.g. to duct static.

MOTOR SPEED TAP SETTINGS

Tap 1	Fan Only
Tap 2	Low Static Cooling
Tap 3	High Static Cooling
Tap 4 and 5	Taps 4 and 5 designed for Heating mid-point temperature rise:
Tap 4	Nominal 0.2 ext. static pressure
Tap 5	Nominal 0.5 ext. static pressure

DIMENSIONS - INCHES (MM)



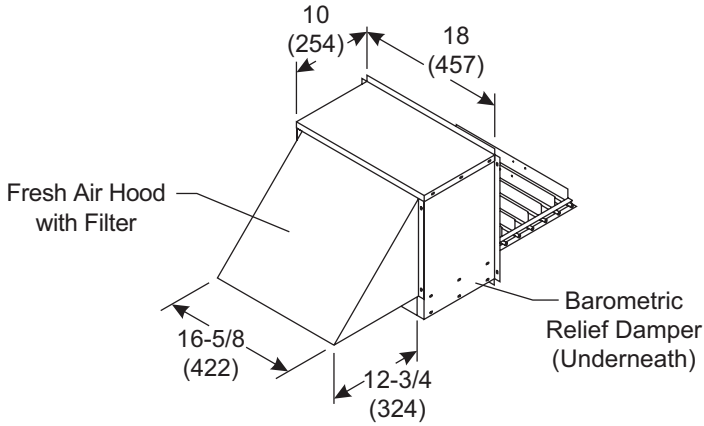
Model No.	A		B		C		D		E		F		G		H	
	in	mm	in	mm	in	mm	in	mm	in	mm	in	mm	in	mm	in	mm
13GEP24 13GEP30 13GEP36 RGE13A36	32-1/2	826	46-1/2	1181	46-1/2	1181	45-5/8	1159	45-5/8	1159	17-1/2	445	11-1/2	292	4	102
13GEP42 13GEP48 13GEP60 RGE13A48 RGE13A60	34-1/2	876	55-1/2	1410	50-1/2	1283	54-5/8	1387	49-5/8	1260	21-1/2	546	12	305	6-1/4	159

Model No.	J		K		L		M		N		P		Q		R		S	
	in	mm	in	mm	in	mm	in	mm	in	mm	in	mm	in	mm	in	mm	in	mm
13GEP24 13GEP30 13GEP36 RGE13A36	4	102	1-3/4	44	15-5/8	397	20-1/2	521	9-7/8	251	9-3/8	238	4-1/8	105	---	---	---	---
13GEP42 13GEP48 13GEP60 RGE13A48 RGE13A60	5-5/8	143	2-3/8	60	17-1/8	435	20-3/4	527	10-3/8	264	6	152	5-1/4	133	12	305	21-1/2	546

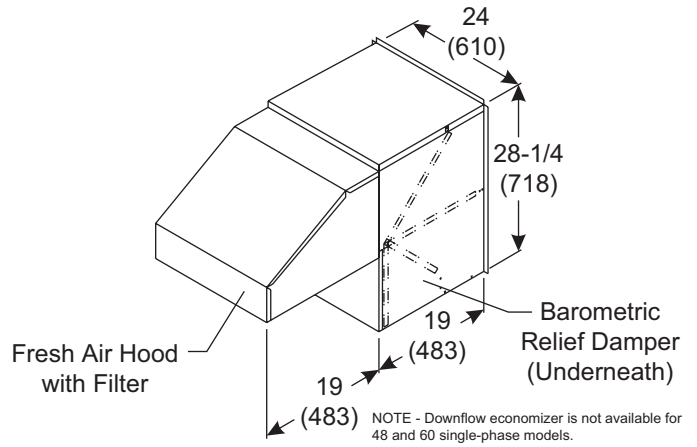
ACCESSORIES DIMENSIONS - INCHES (MM)

ECONOMIZER DAMPERS - DOWNFLOW

FOR 24, 30 AND 36 MODELS

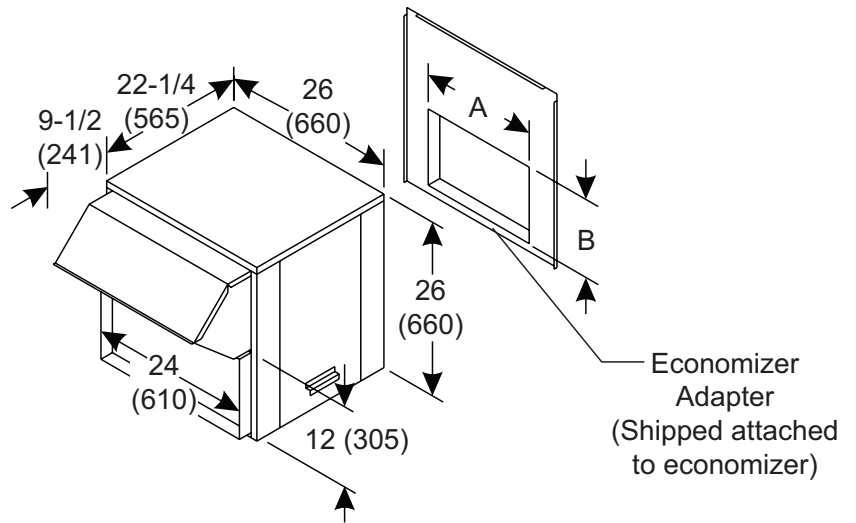


FOR 42, 48 AND 60 MODELS



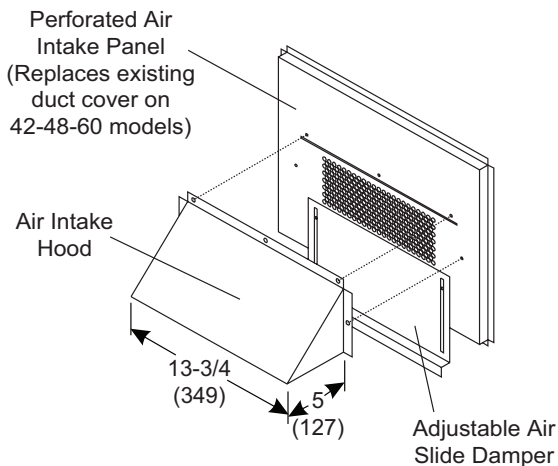
ECONOMIZER DAMPERS - HORIZONTAL

Model No.	A		B	
	in	mm	in	mm
24, 30, 36	17-5/8	448	11-1/2	292
42, 48, 60	21-3/4	552	12-1/4	311

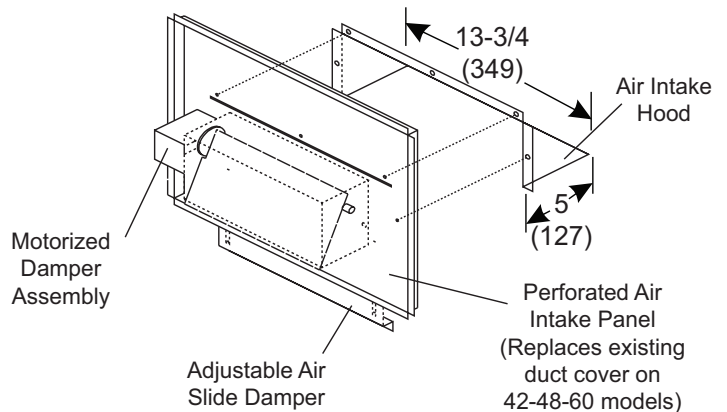


FRESH AIR DAMPERS

MANUAL

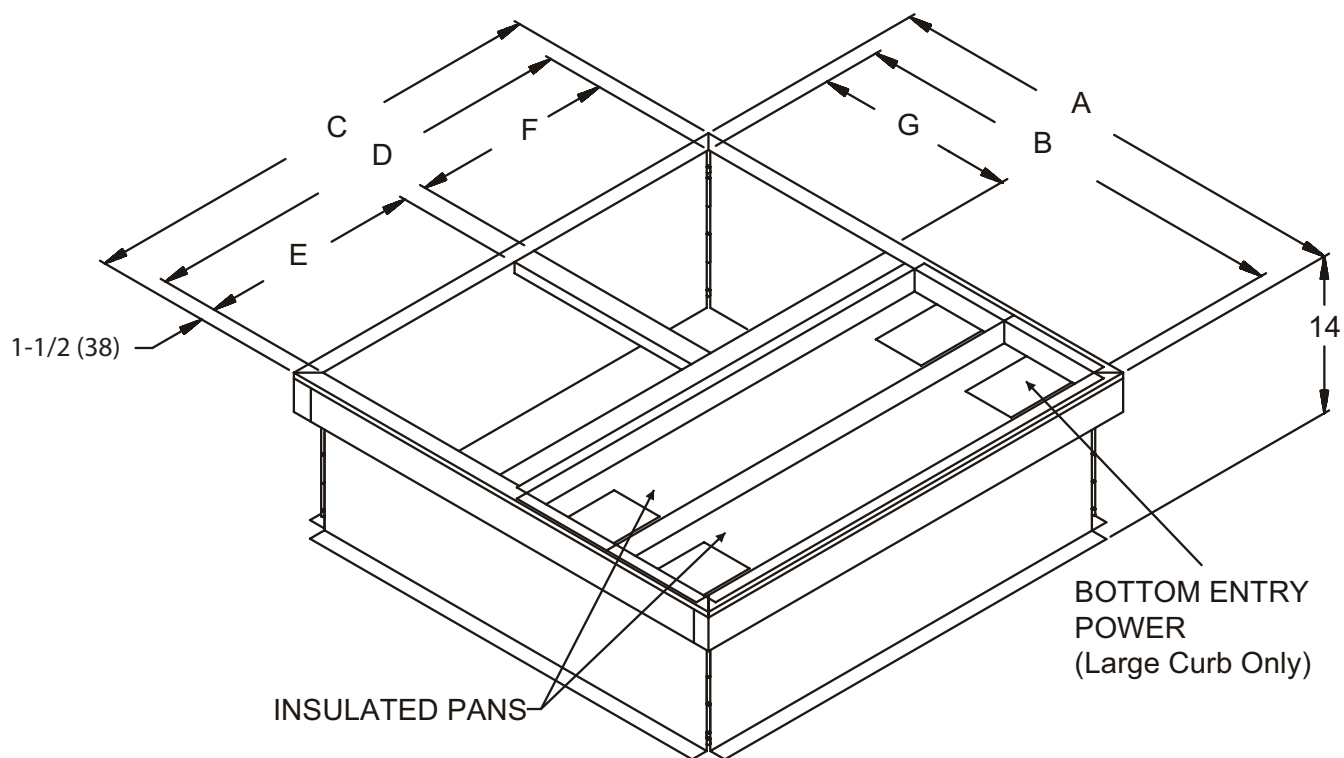


MOTORIZED



ACCESSORIES DIMENSIONS - INCHES (MM)

ROOF CURB



Model No.	A		B		C		D		E		F		G	
	in	mm	in	mm	in	mm	in	mm	in	mm	in	mm	in	mm
13GEP24 13GEP30 13GEP36 RGE13A36	43	1092	40	1016	43	1092	40	1016	18	457	20	508	19	483
13GEP42 13GEP48 13GEP60 RGE13A48 RGE13A60	47-1/8	1197	44-1/8	1121	52	1321	49	1245	23-1/2	597	23-1/2	597	19-1/2	495

REVISIONS

Sections	Description of Change
Options / Accessories	Added Blower On Delay Kit.



Visit us at www.lennox.com

For the latest technical information, www.lennoxcommercial.com

Contact us at 1-800-4-LENNOX

NOTE - Due to Lennox' ongoing commitment to quality, Specifications, Ratings and Dimensions subject to change without notice and without incurring liability. Improper installation, adjustment, alteration, service or maintenance can cause property damage or personal injury. Installation and service must be performed by a qualified installer and servicing agency.

©2012 Lennox Industries, Inc.