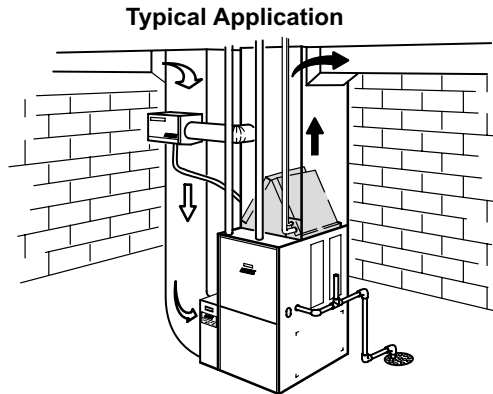


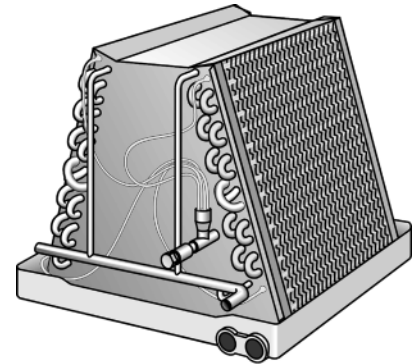
UNCASED AND FULL CASED UP-FLOW EVAPORATOR COILS (Air Conditioning Only) Nominal Size - 1.5 to 5 Ton (5.3 to 17.6 kW)

Bulletin No. 210049
April 2000

Supersedes November 1997



Utility Room Installation
With C23 Uncased Coil, furnace,
electronic air cleaner and humidifier



FEATURES

Applications

- Lennox designed uncased or full cased coils install with most Lennox up-flow furnaces.
- Applicable to expansion valve or RFCIV systems. RFCIV metering device furnished with HS29/10ACB condensing units for field installation in C23 coil. Expansion valve systems require field installed kit.
- See condensing units bulletins (section Cooling Units - Condensing Units) for expansion valve kit selection, evaporator unit applications and cooling capacities.

Coil/Furnace Match-up Charts

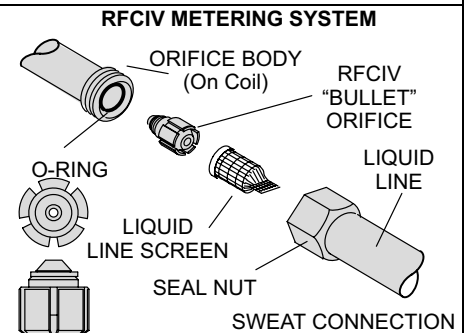
- See bulletin 210163 indexed at the front of this tab section for complete coil to furnace match-up information.

Refrigerant Control Choice

- Coils applicable to RFCIV refrigerant metering device (furnished with HS29/10ACB condensing unit) for an economical installation.
- Optional expansion valve provides a wider and more efficient capacity rating.

Refrigerant Flow Control IV

- All models applicable to Lennox RFCIV™ system.
- RFCIV accurately meters refrigerant in system.
- Refrigerant control is accomplished by exact sizing of refrigerant metering orifice.
- Principle of Lennox RFCIV system involves matching evaporator coil with proper bore size of orifice in metering device.
- RFCIV system equalizes pressure shortly after compressor stops, unit starts unloaded, eliminating need for additional controls.



Coil Construction

- Durable copper tubing with ripple-edged aluminum fins.
- Lanced fins provide maximum exposure of fin surface to air stream.
- Rifled tubing provides superior refrigerant heat transfer.
- Twin coil construction assembled in a "A" configuration for large surface area.
- Non-corrosive polymer drain pan with dual fpt drain connections.
- Access panels allows inspection of coil interior without coil removal.
- Liquid line seal nut section furnished for installation of external expansion valve or RFCIV orifice.
- 90° suction line elbow with 1/4 in. (6 mm) port furnished for expansion valve usage with external equalizer.
- Sweat connections on both liquid and suction lines.
- High pressure testing insures leakproof construction.

Cabinet Construction - Full Cased (FC) Coils

- Cabinets insulated with thick fiberglass insulation.
- Constructed of heavy gauge steel with deluxe paint finish.
- Flanges provided in outlet opening of cabinet for ease of plenum connection.
- Slots on cabinet bottom provide furnace alignment.
- See dimension drawing.

Fully Tested

- Tested with matching condensing units.
- Rated in accordance with ARI Standard 210/240 conditions and DOE test procedures.
- Air resistance tests from Lennox Laboratory air test chamber.

CONTINUED ON NEXT PAGE ►

OPTIONAL ACCESSORIES - MUST BE ORDERED EXTRA

Expansion Valve Kits

- Expansion valve available for field installation external to coil. See condensing unit bulletins for expansion valve kit selection.

Adjustable Coil Adaptor/Seal - Optional for Uncased Coils Only

- Telescoping adaptor provides quick and easy installation in wide variety of applications.
- See dimension drawings and application drawings.

SPECIFICATIONS

Model No.		C23-21 C23-21FC	C23-26 C23-26FC	C23-26W C23-26WFC	C23-31 C23-31FC	C23-31W C23-31WFC
Evaporator Coil	Net face area - sq. ft. (m ²)	2.22 (0.21)	3.11 (0.29)		3.56 (0.33)	
	Tube diameter - in. (mm)	3/8 (9.5)				
	No. of rows	2				
	Fins per inch (m)	14 (551)	13 (512)			
Suction line connection - in. (mm) sweat		5/8 (15.9)			3/4 (19)	
Liquid line connection - in. (mm) sweat		3/8 (9.5)				
Condensate drain (fpt) - in. (mm)		(2) 3/4 (19)				
Refrigerant		HCFC-22				
Shipping weight lbs. (kg) 1 package	Uncased coil	17 (8)	32 (15)	36 (16)	35 (16)	39 (18)
	Full cased coil	25 (11)	39 (18)	46 (21)	45 (20)	49 (22)

OPTIONAL ACCESSORIES - MUST BE ORDERED EXTRA

Adjustable Adaptor/Seal - for uncased coils only

Single Pack (81J46) Ten Pack (11L09)

SPECIFICATIONS

Model No.		C23-41 C23-41FC	C23-41W C23-41WFC	C23-46 C23-46FC	C23-51 C23-51FC	C23-51/65 C23-51/65FC
Evaporator Coil	Net face area - sq. ft. (m ²)	4.00 (0.37)		4.89 (0.45)		6.42 (0.60)
	Tube diameter - in. (mm)	3/8 (9.5)				
	No. of rows	2			3	
	Fins per inch (m)	13 (512)			10 (394)	
Suction line connection - in. (mm) sweat		3/4 (19)		7/8 (22.2)		1-1/8 (28.6)
Liquid line connection - in. (mm) sweat		3/8 (9.5)				
Condensate drain (fpt) - in. (mm)		(2) 3/4 (19)				
Refrigerant		HCFC-22				
Shipping weight lbs. (kg) 1 package	Uncased coil	36 (16)	40 (18)	43 (20)	44 (20)	54 (25)
	Full cased coil	46 (21)	57 (26)	65 (29)	70 (32)	86 (39)

OPTIONAL ACCESSORIES - MUST BE ORDERED EXTRA

Adjustable Adaptor/Seal - for uncased coils only

Single Pack (81J46) Ten Pack (11L09)

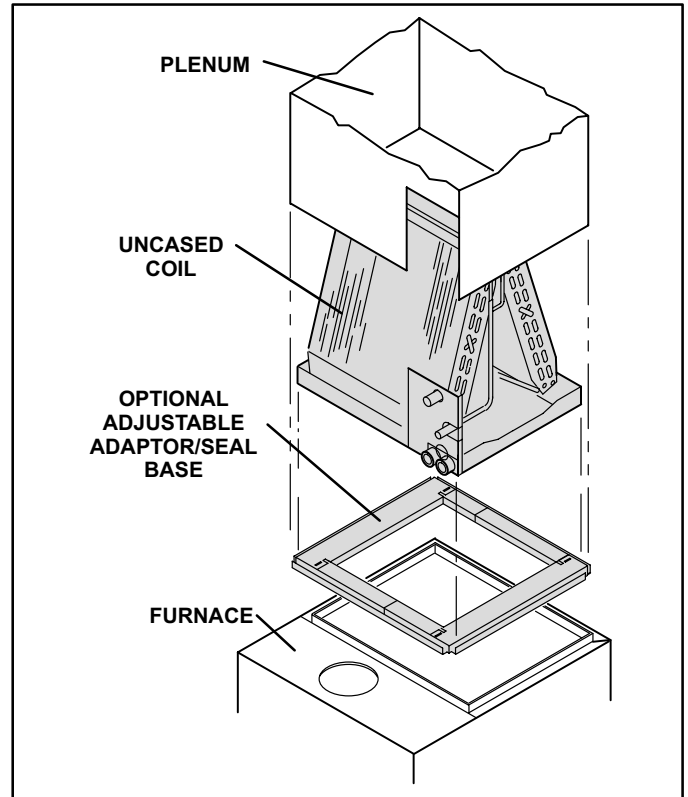
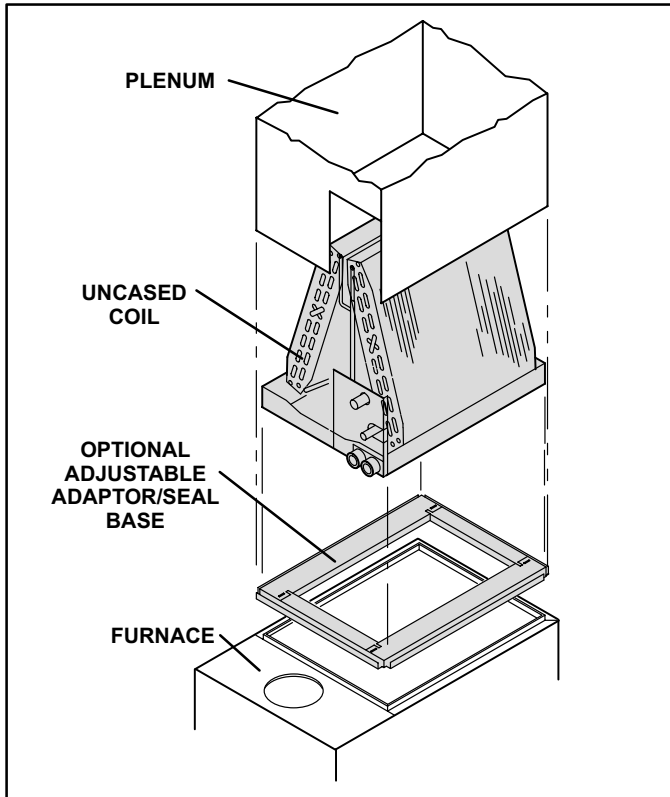
AIR RESISTANCE

Model No.	Air Volume		Total Resistance		Model No.	Air Volume		Total Resistance	
	cfm	L/s	in. w.g.	Pa		cfm	L/s	in. w.g.	Pa
C23-21(FC)	200	95	.02	5	C23-46(FC)	1000	470	.12	30
	400	190	.07	17		1200	570	.16	40
	600	285	.15	37		1400	660	.22	55
	800	380	.27	67		1600	760	.28	70
	1000	470	.41	102		1800	850	.34	85
C23-26(FC) C23-26W(FC)	400	190	.04	10		C23-51(FC)	1200	570	.13
	600	285	.09	22	1400		660	.18	45
	800	380	.15	37	1600		760	.24	60
	1000	470	.23	57	1800		850	.30	75
1200	570	.32	80	2000	940		.38	94	
C23-31(FC) C23-31W(FC)	600	285	.07	17	C23-51/65(FC)	1400	660	.12	30
	800	380	.12	30		1600	760	.16	40
	1000	470	.18	45		1800	850	.20	50
	1200	570	.25	62		2000	940	.25	62
1400	660	.34	85	2200		1040	.30	75	
1600	760	.44	109	2400		1130	.36	90	

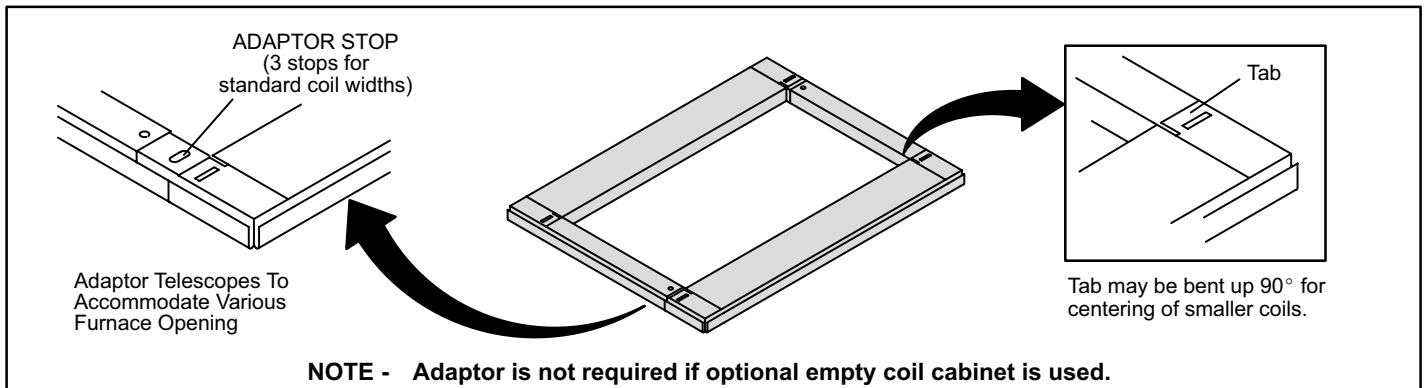
OPTIONAL ADJUSTABLE ADAPTOR/SEAL TYPICAL APPLICATIONS

C23-21, C23-26(W), C23-31(W),
C23-41(W), C23-46 and C23-51 UNCASSED COILS

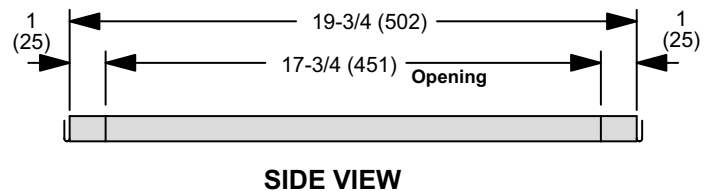
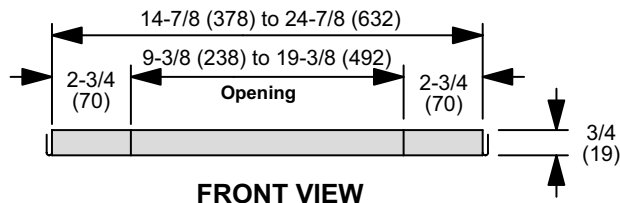
C23-51/65 UNCASSED COILS



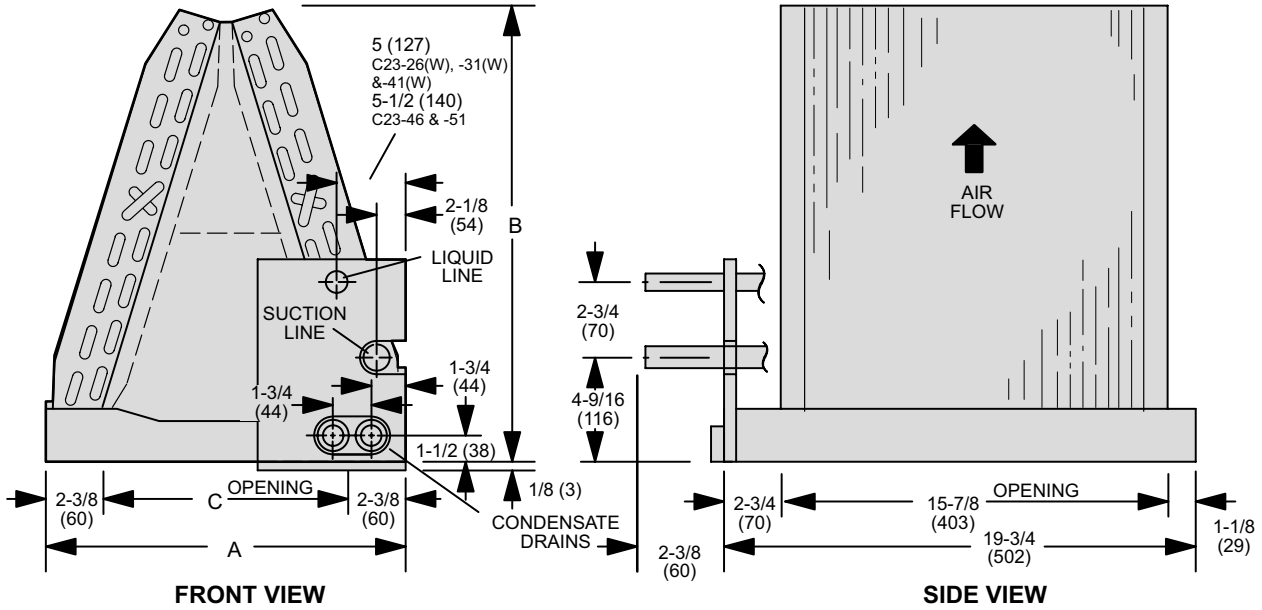
OPTIONAL ADJUSTABLE ADAPTOR/SEAL DETAIL



OPTIONAL ADJUSTABLE ADAPTOR/SEAL DIMENSIONS - inches (mm)

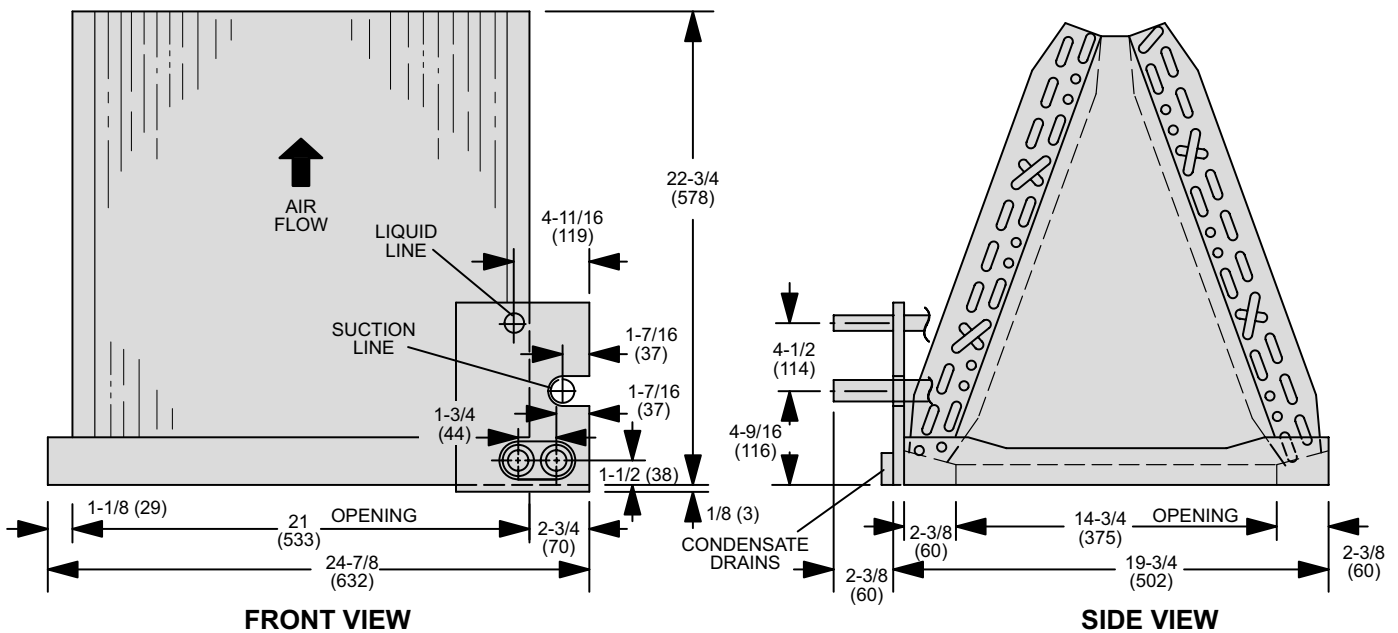


C23-21 THRU -46 UNCASED DIMENSIONS - INCHES (MM)

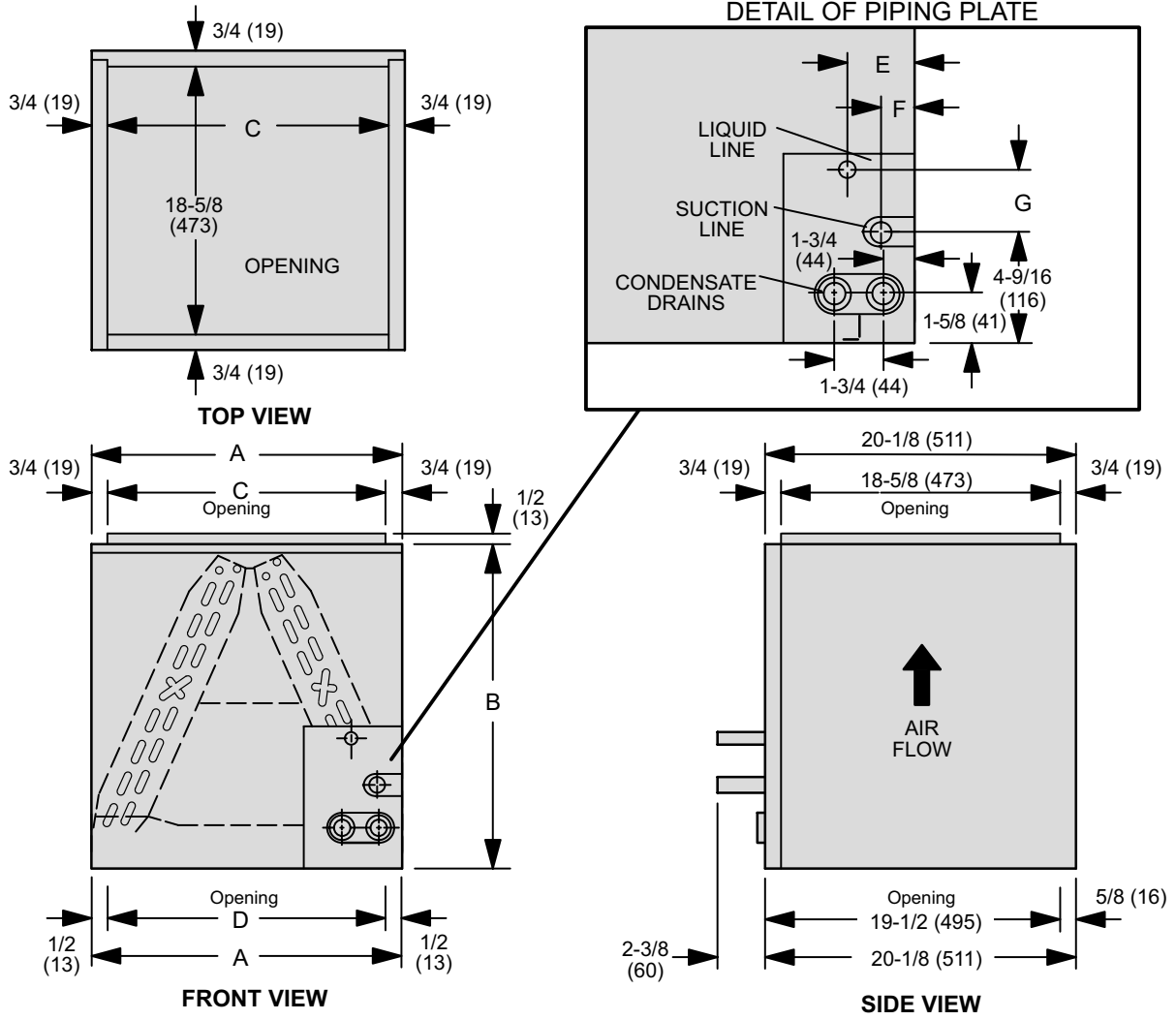


Model No.	A		B		C	
	in.	mm	in.	mm	in.	mm
C23-21	14-3/4	375	10-3/4	273	10	254
C23-26	14-3/4	375	14-3/4	375	10	254
C23-26W	19-3/4	502	14-3/4	375	15	254
C23-31	14-3/4	375	16-3/4	425	10	254
C23-31W	19-3/4	502	16-3/4	425	15	254
C23-41	14-3/4	375	18-3/4	476	10	254
C23-41W	19-3/4	502	18-3/4	476	15	254
C23-46, C23-51	19-3/4	502	22-3/4	578	15	381

C23-51/65 DIMENSIONS - INCHES (MM)



C23FC (FULL CASED) DIMENSIONS - INCHES (MM)



NOTE - C23-51/65FC coils are positioned in cabinet with coil face running left to right, all other coil sizes are positioned like drawing.

Model No.	A		B		C		D		E		F		G	
	inch	mm	inch	mm	inch	mm	inch	mm	inch	mm	inch	mm	inch	mm
C23-21FC	16-1/4	413	12-1/2	318	14-3/4	375	15-1/4	387	5	127	2-1/8	54	1-1/8	29
C23-26FC	16-1/4	413	16-1/2	419	14-3/4	375	15-1/4	387	5	127	2-1/8	54	1-1/8	29
C23-26WFC	21-1/4	540	16-1/2	419	19-3/4	502	20-1/4	514	5-1/2	140	2-1/8	54	2-3/4	70
C23-31FC	16-1/4	413	18-1/2	470	14-3/4	375	15-1/4	387	5	127	2-1/8	54	1-1/8	29
C23-31WFC	21-1/4	540	18-1/2	470	19-3/4	502	20-1/4	514	5-1/2	140	2-1/8	54	2-3/4	70
C23-41FC	16-1/4	413	20-1/2	521	14-3/4	375	15-1/4	387	5	127	2-1/8	54	1-1/8	29
C23-41WFC	21-1/4	540	20-1/2	521	19-3/4	502	20-1/4	514	5-1/2	140	2-1/8	54	2-3/4	70
C23-46FC C23-51FC	21-1/4	540	24-1/2	622	19-3/4	502	20-1/4	514	5-1/2	140	2-1/8	54	2-3/4	70
C23-51/65FC	26-1/4	667	24-1/2	622	24-3/4	629	25-1/4	641	4-11/16	119	1-7/16	37	4-1/2	114