

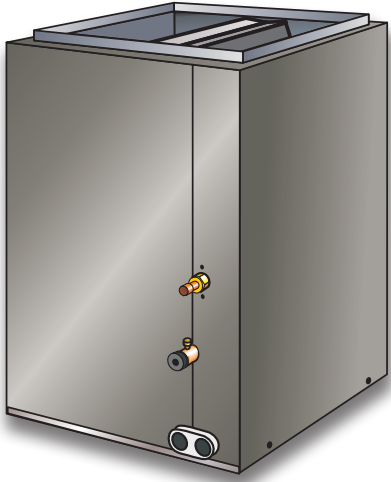


Upflow - Cased - Heat Pump Only

Bulletin No. 210762

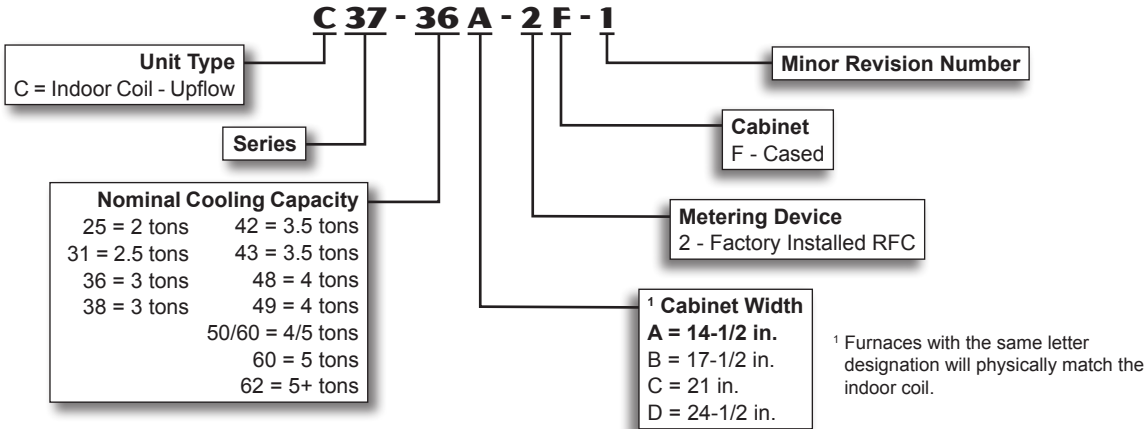
February 2017

PRODUCT SPECIFICATIONS



2 to 5 Tons

MODEL NUMBER IDENTIFICATION



FEATURES

CONTENTS

Air Resistance..... 5

Dimensions..... 6

Features..... 1

Model Number Identification..... 1

Specifications..... 2

WARRANTY

**All Covered Components** - Limited warranty for five years in residential applications, one year warranty in non-residential applications. Refer to Lennox Equipment Limited Warranty certificate included with equipment for details.

APPLICATIONS

*NOTE - For use with heat pump outdoor units only.*

*NOTE - Factory installed RFC orifice must be replaced with field installed check/expansion valve.*

See Product Specifications in section Heat Pump Outdoor Units for indoor coil applications and cooling capacities.

TESTED

Tested with matching heat pump units.

Rated in accordance with AHRI Standard 210/240 conditions and DOE test procedures.

Air resistance tests from Lennox Laboratory air test chamber.

## FEATURES

### **COIL CONSTRUCTION**

- Durable copper tubing.
- Ripple-edged aluminum fins.
- Lanced fins provide maximum exposure of fin surface to air stream.
- Rifled tubing provides superior refrigerant heat transfer.
- Twin coil construction assembled in a A" configuration for large surface area.
- Non-corrosive, UV-resistant polymer drain pan with dual fpt drain connections.
- Liquid line seal nut section furnished for installation of expansion valve.
- Sweat connections on both liquid and suction lines.
- High pressure testing insures leakproof construction.

### **CABINET**

#### **Construction**

- Cabinets insulated with thick fiberglass insulation.
- Constructed of pre-painted heavy gauge steel.
- Flanges provided in outlet opening of cabinet for ease of plenum connection.
- Engaging holes furnished on cabinet for alignment with furnace.
- Removable panels provide access to coil.
- See dimension drawing.

#### **Furnace Match-Up**

- Coils exactly match corresponding furnaces with same letter designation in model number. No adaptor required. Engaging holes furnished on cabinet for alignment.

### **Required Components**

#### **Check/Expansion Valve Kits**

- Check/expansion valve is required for field installation.
- See heat pump outdoor unit bulletins for expansion valve kit selection.

<b>SPECIFICATIONS</b>		<b>2 TO 2.5 TON</b>		
<b>General Data</b>		<b>Model No.</b>	<b>C37-25A-2F</b>	<b>C37-25B-2F</b>
	<b>Nominal size - Tons</b>		2	2
<b>Line connections in.</b>	Suction / vapor o.d. - sweat		3/4	3/4
	Liquid o.d. - sweat		3/8	3/8
	Condensate drain (fpt)		(2) 3/4	(2) 3/4
<b>Indoor Coil</b>	Net face area sq. ft.		3.55	3.55
	Tube diameter - in.		3/8	3/8
	Number of rows		3	3
	Fins per inch		14	14
Matching Lennox Furnace - Cabinet Width Designation			A	B
Coil & Furnace Cabinet Width - in.			14-1/2	17-1/2
<b>Shipping Data - lbs.</b>			39	41

<b>SPECIFICATIONS</b>		<b>2.5 TO 3 TON</b>					
<b>General Data</b>		<b>Model No.</b>	<b>C37-31A-2F</b>	<b>C37-31B-2F</b>	<b>C37-36A-2F</b>	<b>C37-36B-2F</b>	<b>C37-36C-2F</b>
	<b>Nominal size - Tons</b>		2.5	2.5	3	3	3
<b>Line connections in.</b>	Suction / vapor o.d. - sweat		3/4	3/4	3/4	3/4	3/4
	Liquid o.d. - sweat		3/8	3/8	3/8	3/8	3/8
	Condensate drain (fpt)		(2) 3/4	(2) 3/4	(2) 3/4	(2) 3/4	(2) 3/4
<b>Indoor Coil</b>	Net face area sq. ft.		4.44	4.44	4.89	4.89	4.89
	Tube diameter - in.		3/8	3/8	3/8	3/8	3/8
	Number of rows		3	3	2	2	2
	Fins per inch		13	13	18	18	18
Matching Lennox Furnace - Cabinet Width Designation			A	B	A	B	C
Coil & Furnace Cabinet Width - in.			14-1/2	17-1/2	14-1/2	17-1/2	21
<b>Shipping Data - lbs.</b>			47	49	45	46	50

<b>SPECIFICATIONS</b>		<b>3 TO 3.5 TON</b>					
<b>General Data</b>		<b>Model No.</b>	<b>C37-38A-2F</b>	<b>C37-38B-2F</b>	<b>C37-42B-2F</b>	<b>C37-43B-2</b>	<b>C37-43C-2F</b>
	<b>Nominal size - Tons</b>		3	3	3.5	3.5	3.5
<b>Line connections in.</b>	Suction / vapor o.d. - sweat		3/4	3/4	7/8	7/8	7/8
	Liquid o.d. - sweat		3/8	3/8	3/8	3/8	3/8
	Condensate drain (fpt)		(2) 3/4	(2) 3/4	(2) 3/4	(2) 3/4	(2) 3/4
<b>Indoor Coil</b>	Net face area sq. ft.		4.89	4.89	4.89	5.77	5.77
	Tube diameter - in.		3/8	3/8	3/8	3/8	3/8
	Number of rows		3	3	2	3	3
	Fins per inch		14	14	18	13	13
Matching Lennox Furnace - Cabinet Width Designation			A	B	B	B	C
<sup>1</sup> Coil & Furnace Cabinet Width - in.			14-1/2	17-1/2	17-1/2	17-1/2	21
<b>Shipping Data - lbs.</b>			49	51	47	60	63

**SPECIFICATIONS****3.5 TO 4 TON**

General Data		Model No.	C37-48B-2F	C37-48C-2F	C37-49C-2F
<b>Nominal size - Tons</b>			4	4	4
<b>Line connections in.</b>	Suction / vapor o.d. - sweat		7/8	7/8	7/8
	Liquid o.d. - sweat		3/8	3/8	3/8
	Condensate drain (fpt)		(2) 3/4	(2) 3/4	(2) 3/4
<b>Indoor Coil</b>	Net face area sq. ft.		4.89	4.89	7.0
	Tube diameter - in.		3/8	3/8	3/8
	Number of rows		3	3	3
	Fins per inch		12	12	15
Matching Lennox Furnace - Cabinet Width Designation			B	C	C
<sup>1</sup> Coil & Furnace Cabinet Width - in.			17-1/2	21	21
<b>Shipping Data - lbs.</b>			52	55	72

**SPECIFICATIONS****4 TO 5 TON**

General Data		Model No.	C37-50/60C-2F	C37-60D-2F	C37-62C-2F	C37-62D-2F
<b>Nominal size - Tons</b>			4/5	5	5	5
<b>Line connections in.</b>	Suction / vapor o.d. - sweat		7/8	7/8	7/8	7/8
	Liquid o.d. - sweat		3/8	3/8	3/8	3/8
	Condensate drain (fpt)		(2) 3/4	(2) 3/4	(2) 3/4	(2) 3/4
<b>Indoor Coil</b>	Net face area sq. ft.		5.78	6.40	7.50	7.48
	Tube diameter - in.		3/8	3/8	3/8	3/8
	Number of rows		3	3	3	3
	Fins per inch		12	14	16	14
Matching Lennox Furnace - Cabinet Width Designation			C	D	C	D
<sup>1</sup> Coil & Furnace Cabinet Width - in.			21	24-1/2	21	24-1/2
<b>Shipping Data - lbs.</b>			66	66	76	77

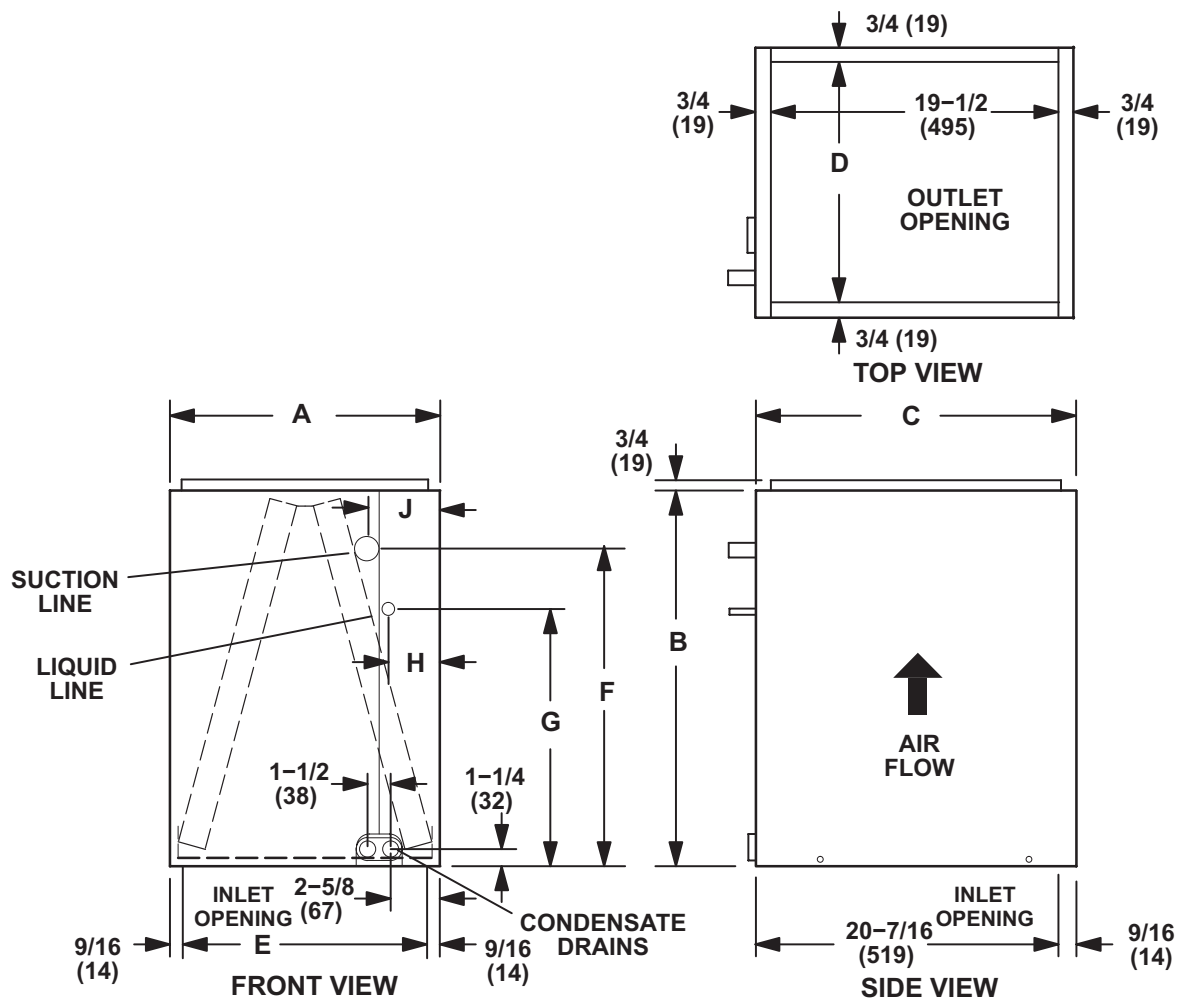
## AIR RESISTANCE

Model No.	Air Volume cfm	Total Resistance	
		Dry Coil in. w.g.	Wet Coil in. w.g.
<b>C37-25A-2F</b>	400	0.05	0.05
	600	0.09	0.10
	800	0.16	0.18
	1000	0.23	0.26
	1200	0.32	0.36
<b>C37-25B-2F</b>	400	0.03	0.04
	600	0.07	0.09
	800	0.11	0.15
	1000	0.17	0.22
	1200	0.23	0.31
<b>C37-31A-2F</b>	600	0.07	0.08
	800	0.12	0.13
	1000	0.18	0.20
	1200	0.26	0.28
	1400	0.34	0.37
<b>C37-31B-2F</b>	600	0.06	0.06
	800	0.09	0.11
	1000	0.13	0.16
	1200	0.19	0.23
	1400	0.25	0.31
<b>C37-36A-2F C37-38A-2F</b>	800	0.13	0.14
	1000	0.19	0.21
	1200	0.27	0.30
	1400	0.34	0.39
	1600	0.45	0.51
<b>C37-36B-2F C37-36C-2F C37-38B-2F C37-48B-2F</b>	800	0.08	0.11
	1000	0.13	0.16
	1200	0.17	0.21
	1400	0.22	0.28
	1600	0.29	0.34
<b>C37-42B-2F</b>	1000	0.13	0.16
	1200	0.17	0.21
	1400	0.22	0.28
	1600	0.29	0.34
	1800	0.34	0.42

Model No.	Air Volume cfm	Total Resistance	
		Dry Coil in. w.g.	Wet Coil in. w.g.
<b>C37-43B-2F</b>	1000	0.13	0.13
	1200	0.18	0.18
	1400	0.23	0.24
	1600	0.30	0.31
	1800	0.37	0.40
<b>C37-43C-2F</b>	1000	0.07	0.09
	1200	0.10	0.12
	1400	0.13	0.16
	1600	0.16	0.20
	1800	0.20	0.24
<b>C37-48C-2F C37-50/60C-2F</b>	1200	0.13	0.17
	1400	0.18	0.23
	1600	0.23	0.29
	1800	0.28	0.37
	2000	0.34	0.43
<b>C37-49C-2F</b>	1200	0.08	0.12
	1400	0.13	0.17
	1600	0.17	0.22
	1800	0.22	0.28
	2000	0.28	0.35
<b>C37-60D-2F C37-62D-2</b>	1400	0.11	0.15
	1600	0.14	0.18
	1800	0.17	0.21
	2000	0.21	0.27
	2200	0.25	0.32
	2400	0.30	0.37
<b>C37-62C-2F</b>	1400	0.15	0.19
	1600	0.19	0.23
	1800	0.24	0.28
	2000	0.29	0.34
	2200	0.33	0.40
	2400	0.39	0.46

## DIMENSIONS - INCHES (MM)

### C37-36, -38 and -42B Coils

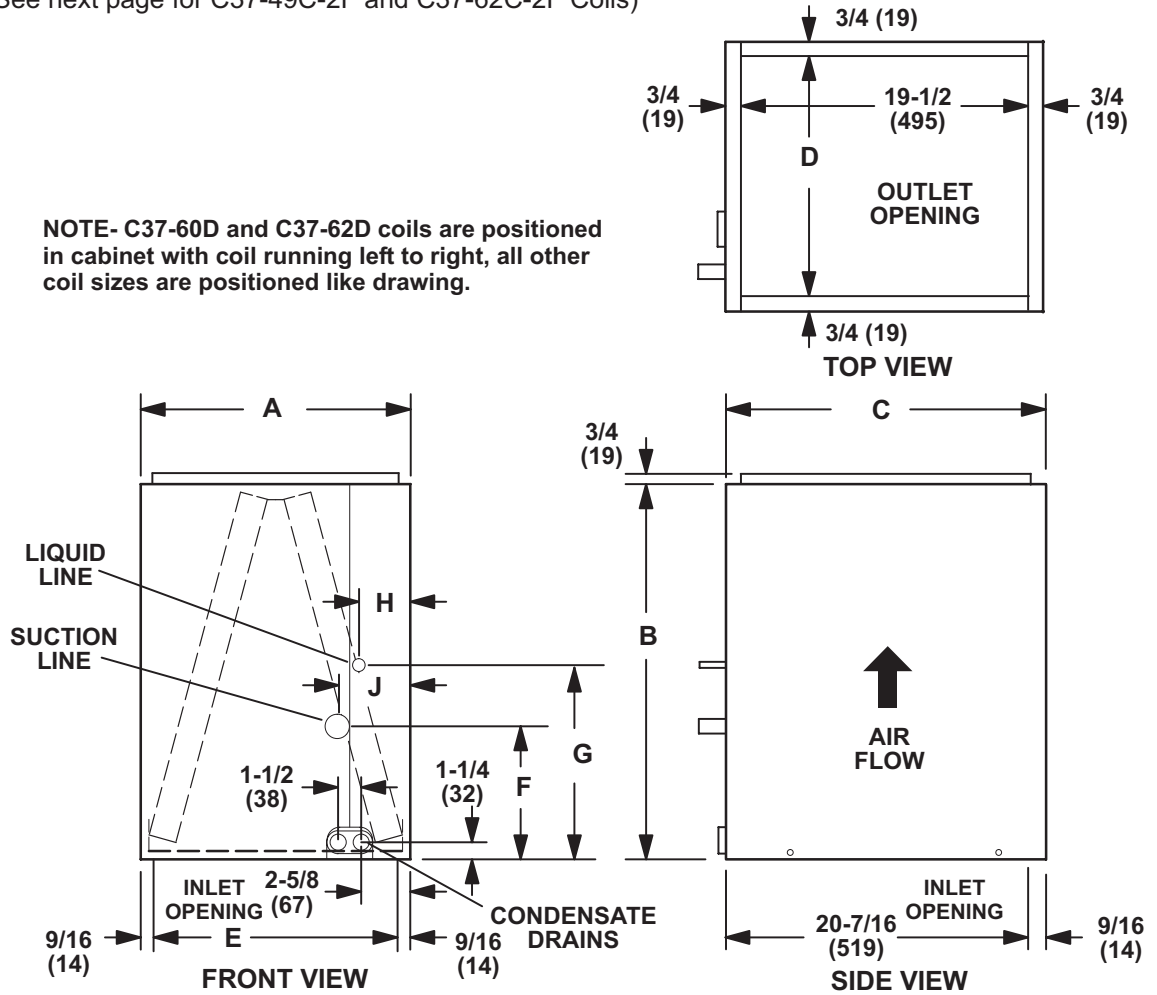


Model Number	A		B		C		D		E		F		G		H		J	
	in.	mm	in.	mm	in.	mm	in.	mm	in.	mm	in.	mm	in.	mm	in.	mm	in.	mm
C37-36A-2F	14-1/2	368	24-1/2	622	21	533	13	330	13-3/8	340	19-1/4	489	16-3/8	416	2-3/4	70	3-7/8	98
C37-36B-2F	17-1/2	445	24-1/2	622	21	533	16	406	16-3/8	416	18-5/8	473	15-5/8	397	3	76	4-1/8	105
C37-36C-2F	21	533	24-1/2	622	21	533	19-1/2	495	19-7/8	505	19-5/8	498	16-5/8	422	4-3/4	121	3-5/8	92
C37-38A-2F	14-1/2	368	24-1/2	622	21	533	13	330	13-3/8	340	18-1/4	464	15-3/8	391	2-3/4	70	3-7/8	98
C37-38B-2F	17-1/2	445	24-1/2	622	21	533	16	406	16-3/8	416	18-3/8	467	15-1/2	394	2-3/4	70	3-7/8	98
C37-42B-2F	17-1/2	445	24-1/2	622	21	533	16	406	16-3/8	416	18-5/8	467	15-5/8	397	3	76	4-1/8	105

## DIMENSIONS - INCHES (MM)

**C37-25, -31, -43, -48, -50/60C, -60D and -62D Coils**  
 (NOTE - See next page for C37-49C-2F and C37-62C-2F Coils)

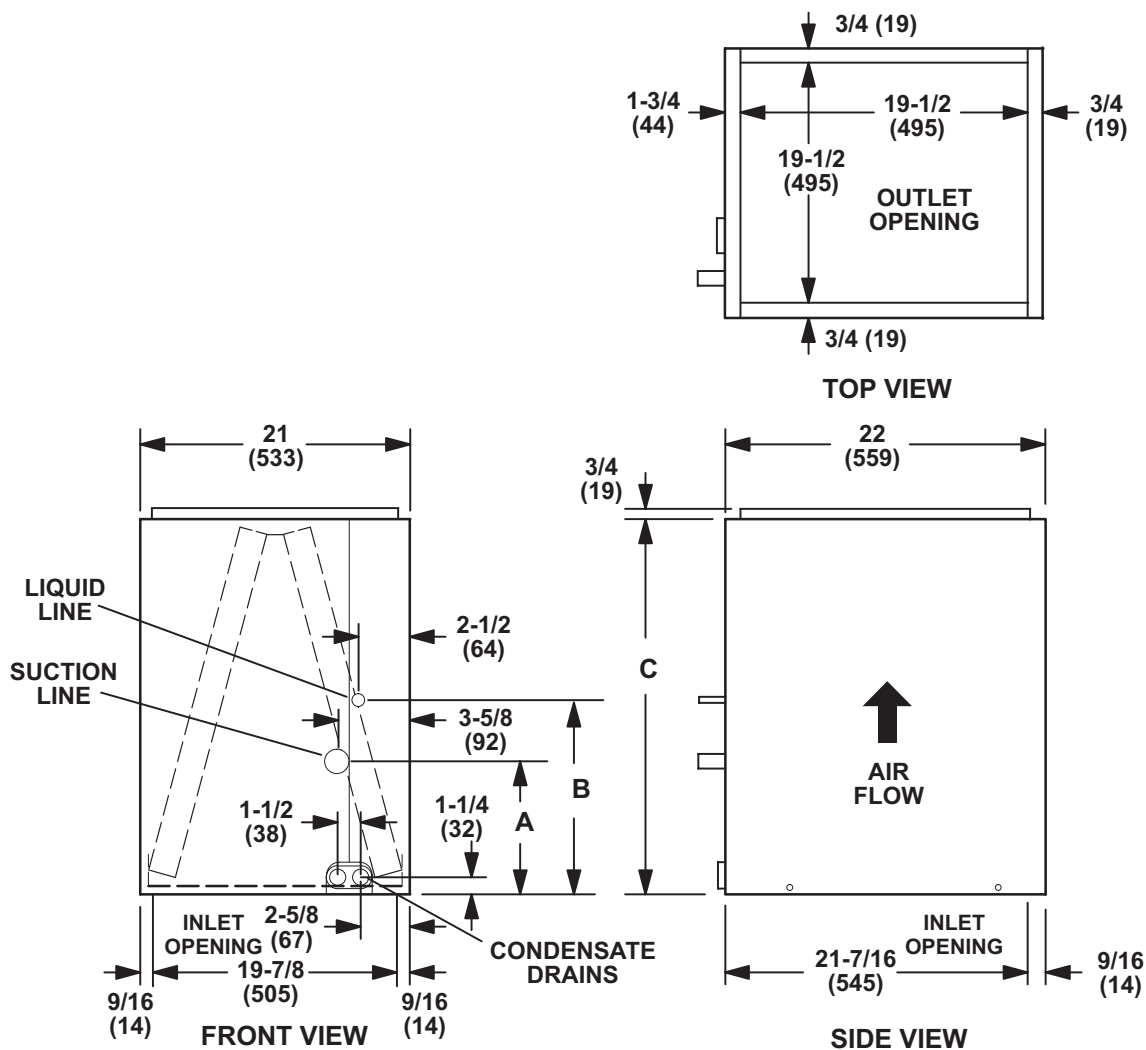
**NOTE- C37-60D and C37-62D coils are positioned in cabinet with coil running left to right, all other coil sizes are positioned like drawing.**



Model Number	A		B		C		D		E		F		G		H		J	
	in.	mm	in.	mm	in.	mm	in.	mm	in.	mm	in.	mm	in.	mm	in.	mm	in.	mm
<b>C37-25A-2F</b>	14-1/2	368	18-1/2	470	21	533	13	330	13-3/8	340	12-7/8	327	15-7/8	403	3	76	3-7/8	98
<b>C37-25B-2F</b>	17-1/2	445	18-1/2	470	21	533	16	406	16-3/8	416	12-7/8	327	15-7/8	403	3-1/4	83	4-1/8	105
<b>C37-31A-2F</b>	14-1/2	368	22-1/2	572	21	533	13	330	13-3/8	340	12-3/8	314	15-3/8	391	1-1/2	38	2-3/8	60
<b>C37-31B-2F</b>	17-1/2	445	22-1/2	572	21	533	16	406	16-3/8	416	12-3/8	314	15-3/8	391	3-1/4	83	4-1/8	105
<b>C37-43B-2F</b>	17-1/2	445	27-1/2	699	21	533	16	406	16-3/8	416	16-3/4	425	19-3/4	502	3-1/4	83	4-1/8	105
<b>C37-43C-2F</b>	21	533	27-1/2	699	21	533	19-1/2	495	19-7/8	505	16-3/4	425	19-3/4	502	2-3/4	70	3-5/8	92
<b>C37-48B-2F</b>	17-1/2	445	24-1/2	622	21	533	16	406	16-3/8	416	9-3/4	248	12-3/4	324	3	76	4-1/8	105
<b>C37-48C-2F</b>	21	533	24-1/2	622	21	533	19-1/2	495	19-7/8	505	12-3/4	324	15-3/4	400	2-1/2	64	3-5/8	92
<b>C37-50/60C-2F</b>	21	533	27-1/2	699	21	533	19-1/2	495	19-7/8	505	16-1/2	419	19-1/2	495	2-1/2	64	3-5/8	92
<b>C37-60D-2F</b>	24-1/2	622	25-1/2	648	21	533	23	584	23-3/8	594	11-7/8	302	14-7/8	518	1-5/8	41	2-3/4	70
<b>C37-62D-2F</b>	24-1/2	622	29-1/2	749	21	533	23	584	23-3/8	594	18-7/8	479	21-7/8	556	1-5/8	41	2-3/4	70

# DIMENSIONS - INCHES (MM)

C37-49C-2F and C37-62C-2F



Model Number	A		B		C	
	in.	mm	in.	mm	in.	mm
C37-49C-2F	15-7/8	403	18-3/4	476	29-1/2	749
C37-62C-2F	18-7/8	479	21-7/8	556	31-1/2	800



Visit us at [www.lennox.com](http://www.lennox.com)

For the latest technical information, [www.LennoxPROs.com](http://www.LennoxPROs.com)

Contact us at 1-800-4-LENNOX

NOTE - Due to Lennox' ongoing commitment to quality, Specifications, Ratings and Dimensions subject to change without notice and without incurring liability. Improper installation, adjustment, alteration, service or maintenance can cause property damage or personal injury. Installation and service must be performed by a qualified installer and servicing agency.

©2017 Lennox Industries, Inc.