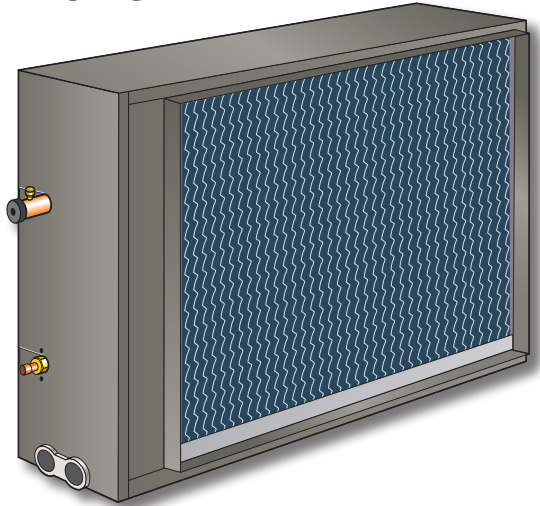




Horizontal

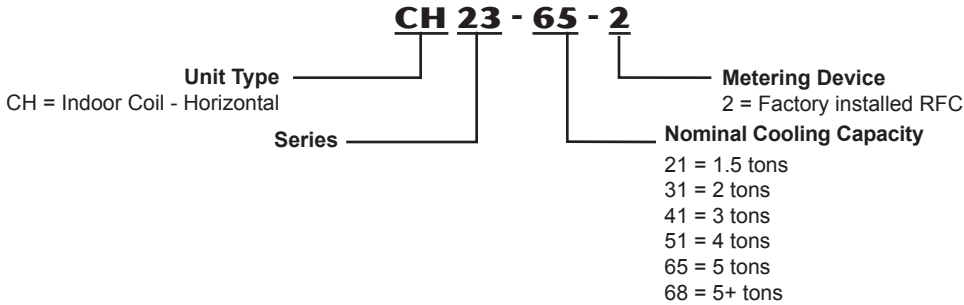
PRODUCT SPECIFICATIONS

Bulletin No. 210064
September 2010
Supersedes April 2007



1.5 to 5 Tons

MODEL NUMBER IDENTIFICATION



FEATURES

CONTENTS

Air Resistance.	2
Dimensions	3
Features.	1
Model Number Identification	1
Specifications	2

WARRANTY

All covered components limited warranty for five years in residential applications, one year warranty in non-residential applications.

Refer to Lennox Equipment Limited Warranty certificate included with equipment for details.

APPLICATIONS

Lennox designed horizontal indoor coils can easily be installed with most Lennox horizontal furnaces.

Applicable to expansion valve or RFCIV systems.

Expansion valve systems require optional field installed kit.

See bulletins in section Air Conditioners for cooling capacities.

See bulletins in section Heat Pump Outdoor Units for cooling and heating capacities.

TESTED

Tested with matching air conditioners and heat pump units.

Rated in accordance with AHRI Standard 210/240 conditions and DOE test procedures.

Air resistance tests from Lennox Laboratory air test chamber.

CABINET

Cabinets insulated with thick fiberglass insulation.

Heavy gauge, pre-painted galvanized steel.

Flanges furnished for ease of duct connection.

Removable panels provide access to coil.

Coil slides completely out of cabinet for easy servicing.

Refrigerant lines extend outside of cabinet for easy connection.

FEATURES

REFRIGERANT SYSTEM

Coil Construction

Durable copper tubing.

Ripple-edged aluminum fins.

Lanced fins provide maximum exposure of fin surface to air stream.

Rifled tubing provides superior refrigerant flow.

Slab coil construction.

Non-corrosive drain pan with dual drain connections.

Sweat connections on both liquid and suction lines.

90° liquid line elbow with o-ring is shipped with the coil.

High pressure testing ensures leakproof construction.

Refrigerant Control Choice

CH23-21 thru CH23-65 models are applicable to Lennox RFCIV refrigerant metering system or thermal expansion valve when matched with specific air conditioners. CH23-68 models are applicable to thermal expansion valves only.

See Air Conditioners bulletins for RFCIV applications. Orifice is furnished with air conditioner.

Optional expansion valve or check/expansion valve is required in most applications and must be ordered extra.

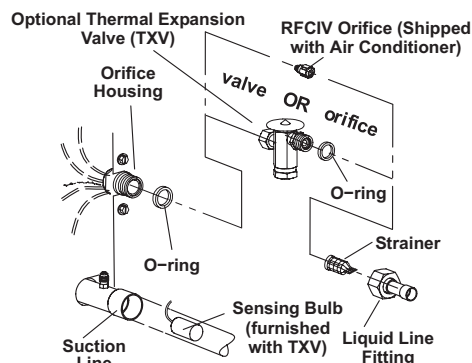
Refrigerant Flow Control IV

RFCIV accurately meters refrigerant in system.

Refrigerant control is accomplished by exact sizing of refrigerant metering orifice.

Principle of Lennox RFCIV system involves matching indoor coil with proper bore size of orifice in metering device.

RFCIV system equalizes pressure shortly after compressor stops, unit starts unloaded, eliminating need for additional controls.



OPTIONS

Expansion Valve Kits

Expansion valve available for field installation.

See Air Conditioners and Heat Pump Outdoor Units bulletins for expansion valve/check expansion valve kit selection.

SPECIFICATIONS

General Data		Model No.	CH23-21	CH23-31	CH23-41	CH23-51	CH23-65	CH23-68
	Nominal size - Tons		1.5	2	3	4	5	5+
Line connections in.	Suction / vapor o.d. - sweat		² 7/8	² 7/8	³ 7/8	7/8	7/8	7/8
	Liquid o.d. - sweat		¹ 3/8	¹ 3/8	3/8	3/8	3/8	3/8
	Condensate drain (fpt)		(2) 3/4	(2) 3/4	(2) 3/4	(2) 3/4	(2) 3/4	(2) 3/4
Indoor Coil	Net face area sq. ft.		3.36	3.97	3.97	4.58	5.50	6.42
	Tube diameter - in.		3/8	3/8	3/8	3/8	3/8	3/8
	Number of rows		2	2	3	3	3	4
	Fins per inch		14	14	12	12	12	12
Shipping Data - lbs.			30	34	42	46	55	75

¹ 3/8 x 5/16 in. reducing coupling shipped with coil.

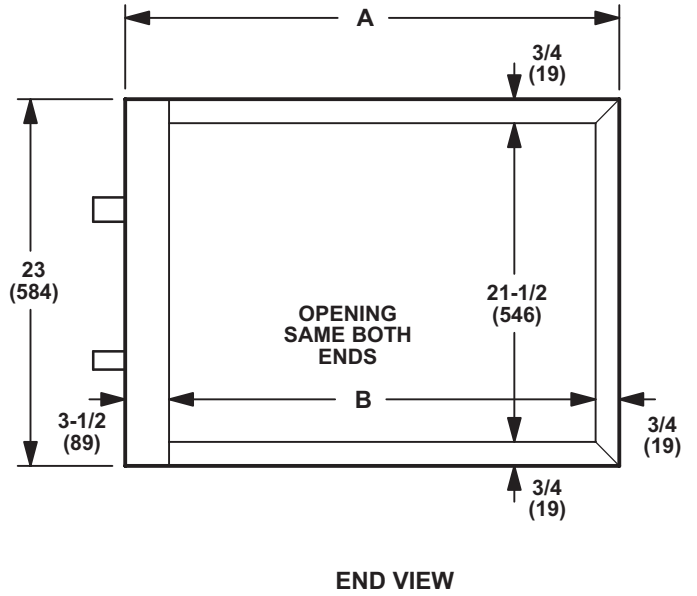
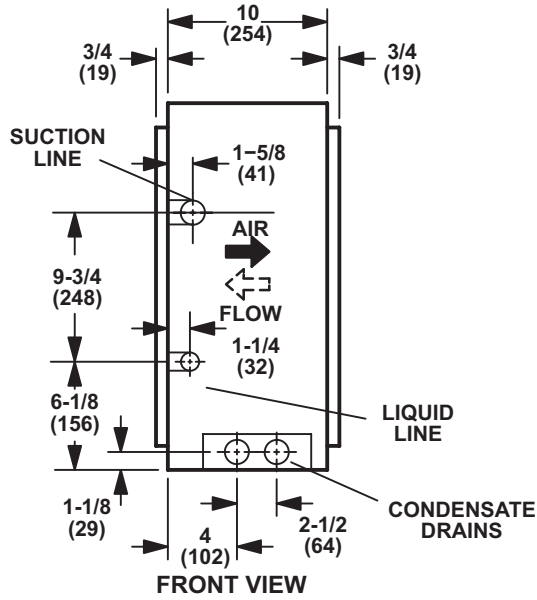
² 7/8 x 5/8 in. reducing bushing shipped with coil.

³ 7/8 x 3/4 in. reducing bushing shipped with coil.

AIR RESISTANCE

Model No.	Air Volume cfm	Total Resistance in. w.g.	Model No.	Air Volume cfm	Total Resistance in. w.g.
CH23-21	400	.03	CH23-51	1200	.11
	600	.05		1400	.14
	800	.07		1600	.17
	1000	.10		1800	.21
	1200	.14		2000	.25
CH23-31	800	.03		2200	.29
	1000	.04		2400	.33
	1200	.07		CH23-65 CH23-68	1200
	1400	.10	1400		.13
1600	.14	1600	.16		
CH23-41	1200	.09	1800		.20
	1400	.13	2000		.24
	1600	.17	2200	.28	
	1800	.22	2400	.32	
	2000	.28			

DIMENSIONS - INCHES (MM)



Model No.	A		B	
	in.	mm	in.	mm
CH23-21	27	686	22-3/4	578
CH23-31	31	787	26-3/4	679
CH23-41	31	787	26-3/4	679
CH23-51	35	889	30-3/4	781
CH23-65	41	1041	36-3/4	933
CH23-68	47	1194	42-3/4	1086



Visit us at www.lennox.com

For the latest technical information, www.lennoxravenet.com

Contact us at 1-800-4-LENNOX

NOTE - Due to Lennox' ongoing commitment to quality, Specifications, Ratings and Dimensions subject to change without notice and without incurring liability. Improper installation, adjustment, alteration, service or maintenance can cause property damage or personal injury. Installation and service must be performed by a qualified installer and servicing agency.

©2010 Lennox Industries, Inc.