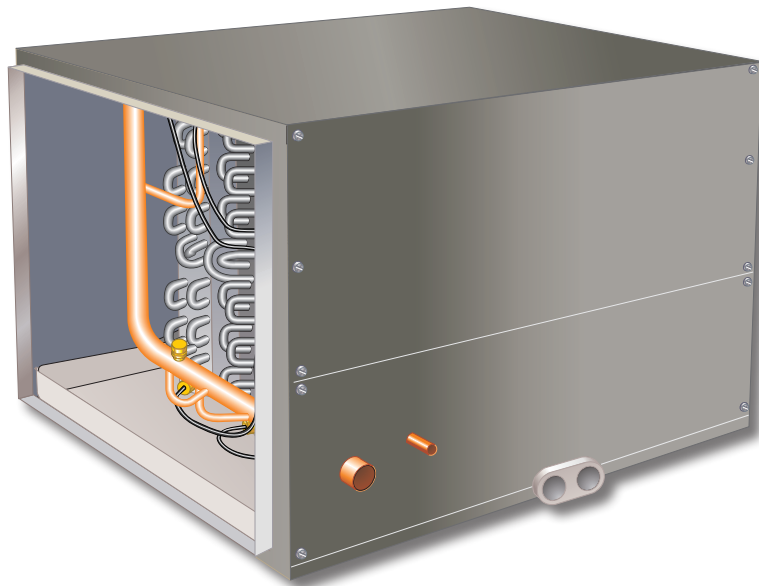


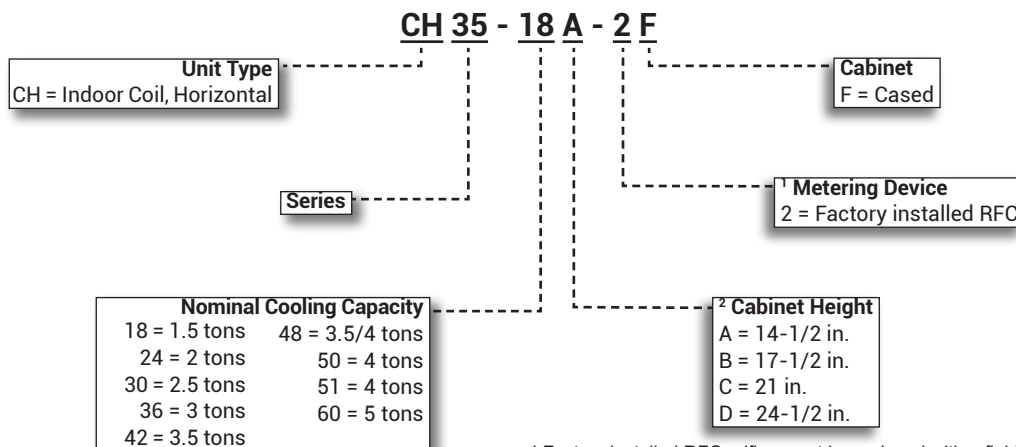


**RESIDENTIAL
PRODUCT SPECIFICATIONS**



1.5 to 5 Tons

MODEL NUMBER IDENTIFICATION



¹ Factory installed RFC orifice must be replaced with a field installed expansion valve.

² Furnaces with the same letter designation physically match the indoor coil.

CONTENTS

Air Resistance	3
Approvals and Warranty	2
CH33 to CH35 Cross-Reference	5
Dimensions	4
Model Number Identification.	1
Specifications	3

APPROVALS AND WARRANTY

APPROVALS

- Tested with matching air conditioners and heat pump units in the Lennox Research Laboratory environmental test room in accordance with AHRI Standard 210/240
- AHRI Certified system match-ups and expanded ratings, visit www.LennoxPros.com
- Air resistance tests from Lennox Laboratory air test chamber

WARRANTY

- All other covered components:
 - Limited five years in residential installations
 - Limited one year in non-residential installations

NOTE - Refer to Lennox Equipment Limited Warranty certificate included with unit for specific details.

FEATURES

APPLICATIONS

- 1.5 to 5 ton nominal sizes
- Lennox designed horizontal indoor coils can easily be installed with most Lennox horizontal furnaces
- Applicable to expansion valve systems only

NOTE - Expansion valve systems require field installed kit.

NOTE - Factory installed RFC orifice must be replaced with field installed expansion valve.

COIL CONSTRUCTION

Quantum™ Coil

- Lennox designed and fabricated coil
- Aluminum tubing, hairpins, distributor and header tubes
- Copper refrigerant sweat connections on both liquid and suction lines for easy brazing
- Ripple-edged aluminum fins
- Lanced fins provide maximum exposure of fin surface to air stream
- Rifled tubing provides superior refrigerant heat transfer
- Twin coil construction assembled in an "A" configuration for large surface area
- Non-corrosive, UV-resistant polymer drain pan with dual fpt drain connections
- High pressure testing insures leakproof construction

CABINET

- Insulated with thick fiberglass insulation
- Heavy gauge, pre-painted galvanized steel
- Flanges furnished for ease of duct connection
- Engaging holes furnished for alignment with furnace
- Removable panels provide access to coil
- Refrigerant lines extend outside of cabinet for easy connection

Furnace Match-Up

- All cased coils exactly match corresponding furnaces with same letter designation in model number
- No adaptor required
- Engaging holes furnished on cabinet for alignment

Optional Accessories

Expansion Valve Kits

- Expansion valve available for field installation
- See Air Conditioners or Heat Pump Outdoor Units Product Specifications for expansion valve kit selection

SPECIFICATIONS

1.5 TO 3 TON

General Data		Model No.	CH35	CH35	CH35	CH35	CH35	CH35	
			-18A-2F	-24A-2F	-24B-2F	-30A-2F	-30B-2F	-36A-2F	-36B-2F
		Nominal size - Tons	1.5	2	2	2.5	2.5	3	3
Line connections in.	Suction o.d. - sweat		3/4	3/4	3/4	3/4	3/4	3/4	3/4
	Liquid o.d. - sweat		3/8	3/8	3/8	3/8	3/8	3/8	3/8
	Condensate drain (fpt)		(2) 3/4	(2) 3/4	(2) 3/4	(2) 3/4	(2) 3/4	(2) 3/4	(2) 3/4
Indoor Coil	Net face area sq. ft.		3.5	3.5	3.5	4.33	4.67	3.5	4.67
	Tube diameter - in.		3/8	3/8	3/8	3/8	3/8	3/8	3/8
	Number of rows		2	3	2	3	3	3	2
	Fins per inch		19	14	19	16	14	12	18
Matching Lennox Furnace - Cabinet Width Designation			A	A	B	A	B	A	B
Coil & Furnace Cabinet Height - in.			14-1/2	14-1/2	17-1/2	14-1/2	17-1/2	14-1/2	17-1/2
Shipping Data - lbs.			43	45	49	55	53	47	48

SPECIFICATIONS

3 TO 5 TON

General Data		Model No.	CH35	CH35	CH35	CH35	CH35	CH35	
			-36C-2F	-42B-2F	-42C-2F	-48B-2F	-48C-2F	-51C-2F	-60D-2F
		Nominal size - Tons	3	3.5	3.5	3.5/4	3.5/4	4	5
Line connections in.	Suction o.d. - sweat		3/4	7/8	7/8	7/8	7/8	7/8	7/8
	Liquid o.d. - sweat		3/8	3/8	3/8	3/8	3/8	3/8	3/8
	Condensate drain (fpt)		(2) 3/4	(2) 3/4	(2) 3/4	(2) 3/4	(2) 3/4	(2) 3/4	(2) 3/4
Indoor Coil	Net face area sq. ft.		5.83	5.78	5.83	5.78	5.83	7.22	7.94
	Tube diameter - in.		3/8	3/8	3/8	3/8	3/8	3/8	3/8
	Number of rows		2	4	3	3	3	3	3
	Fins per inch		18	12	13	12	12	13	12
Matching Lennox Furnace - Cabinet Width Designation			C	B	C	B	C	C	D
Coil & Furnace Cabinet Height - in.			21	17-1/2	21	17-1/2	21	21	24-1/2
Shipping Data - lbs.			55	66	60	60	59	69	78

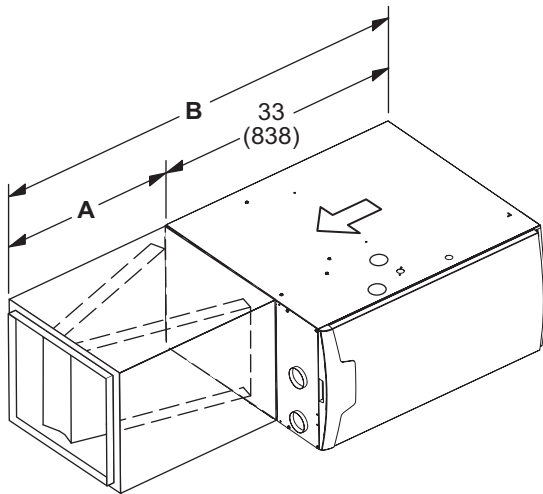
AIR RESISTANCE

Air Volume cfm	Total Air Resistance - in. w.g.													
	CH35-18A-2F		CH35-24A-2F		CH35-24B-2F		CH35-30A-2F		CH35-30B-2F		CH35-36A-2F		CH35-36B-2F	
	Dry Coil	Wet Coil	Dry Coil	Wet Coil	Dry Coil	Wet Coil	Dry Coil	Wet Coil	Dry Coil	Wet Coil	Dry Coil	Wet Coil	Dry Coil	Wet Coil
200	0.02	0.02	---	---	---	---	---	---	---	---	---	---	---	---
400	0.05	0.06	0.04	0.05	0.03	0.04	0.04	0.05	0.02	0.02	---	---	---	---
600	0.09	0.11	0.09	0.11	0.05	0.07	0.09	0.10	0.05	0.06	---	---	---	---
800	0.15	0.17	0.15	0.19	0.09	0.11	0.15	0.17	0.09	0.11	0.15	0.18	0.08	0.10
1000	0.22	0.25	0.23	0.29	0.15	0.17	0.24	0.27	0.14	0.16	0.22	0.27	0.11	0.16
1200	---	---	0.32	0.40	0.21	0.23	0.34	0.38	0.19	0.23	0.30	0.39	0.16	0.21
1400	---	---	0.43	0.50	0.28	0.30	0.45	0.51	0.26	0.30	0.41	0.48	0.21	0.27
1600	---	---	---	---	---	---	---	---	---	---	0.53	0.63	0.27	0.35

AIR RESISTANCE

Air Volume cfm	CH35-36C-2F		CH35-42B-2F		CH35-42C-2F		CH35-48B-2F		CH35-48C-2F		CH35-51C-2F		CH35-60D-2F	
	Dry Coil	Wet Coil	Dry Coil	Wet Coil	Dry Coil	Wet Coil	Dry Coil	Wet Coil	Dry Coil	Wet Coil	Dry Coil	Wet Coil	Dry Coil	Wet Coil
800	0.06	0.08	0.10	0.10	0.06	0.06	---	---	---	---	---	---	---	---
1000	0.10	0.13	0.14	0.18	0.09	0.10	0.14	0.16	---	---	---	---	---	---
1200	0.15	0.18	0.20	0.25	0.15	0.16	0.19	0.23	0.16	0.19	0.15	0.16	---	---
1400	0.19	0.23	0.26	0.31	0.18	0.21	0.25	0.29	0.21	0.26	0.20	0.23	0.12	0.16
1600	0.24	0.31	0.34	0.36	0.26	0.28	0.30	0.38	0.27	0.30	0.25	0.29	0.16	0.20
1800	---	---	0.42	0.47	0.31	0.38	0.38	0.42	0.33	0.39	0.31	0.36	0.20	0.24
2000	---	---	---	---	---	---	---	---	0.39	0.49	0.40	0.44	0.24	0.30
2200	---	---	---	---	---	---	---	---	---	---	0.48	0.54	0.29	0.36
2400	---	---	---	---	---	---	---	---	---	---	---	---	0.34	0.42

DIMENSIONS - FURNACE/COIL COMBINED DIMENSIONS



HORIZONTAL POSITION

Model No.	A		B	
	in.	mm	in.	mm
CH33				
CH33-18A	21-1/2	546	54-1/2	1384
CH33-24/30A, CH33-36A, CH33-36B, CH33-36C,	26-1/2	673	59-1/2	1511
CH33-42B, CH33-48C				
CH33-44/48B, CH33-50/60C,	31-1/2	800	64-1/2	1638

CH33 TO CH35 CROSS-REFERENCE

CH33 Model No.	Tons	Dimensions (H x L x D)	Order No.	CH35 Model No.	Tons	Dimensions (H x L x D)	Order No.
CH33-18A-2F	1.5	14.5 x 21.5 x 21.5	76L01	CH35-18A-2F	1.5	14.5 x 26.5 x 21.5	10C26
CH33-19A-2F	1.5	14.5 x 26.5 x 21.5	18W82	CH35-18A-2F	1.5	14.5 x 26.5 x 21.5	10C26
CH33-25A-2F	2	14.5 x 26.5 x 21.5	18W83	CH35-24A-2F	2	14.5 x 26.5 x 21.5	10C27
CH33-25B-2F	2	17.5 x 26.5 x 21.5	18W84	CH35-24B-2F	2	17.5 x 26.5 x 21.5	10C28
CH33-24/30A-2F	2/2.5	14.5 x 26.5 x 21.5	76L03	CH35-24A-2F	2	14.5 x 26.5 x 21.5	10C27
¹ CH33-24/30A-2F	2/2.5	14.5 x 31.5 x 21.5	76L03	¹ CH35-30A-2F	2.5	14.5 x 31.5 x 21.5	10C29
CH33-31A-2F	2.5	14.5 x 31.5 x 21.5	18W85	CH35-30A-2F	2.5	14.5 x 31.5 x 21.5	10C29
CH33-31B-2F	2.5	17.5 x 26.5 x 21.5	18W86	CH35-30B-2F	2.5	17.5 x 26.5 x 21.5	10C30
CH33-36A-2F	3	14.5 x 26.5 x 21.5	76L04	CH35-36A-2F	3	14.5 x 26.5 x 21.5	10C31
CH33-36B-2F	3	17.5 x 26.5 x 21.5	76L07	CH35-36B-2F	3	17.5 x 26.5 x 21.5	10C32
CH33-36C-2F	3	21 x 26.5 x 21.5	76L10	CH35-36C-2F	3	21 x 26.5 x 21.5	10C33
CH33-42B-2F	3.5	17.5 x 26.5 x 21.5	76L08	CH35-42B-2F	3.5	17.5 x 31.5 x 21.5	10C34
CH33-43B-2F	3.5	17.5 x 31.5 x 21.5	18W87	CH35-42B-2F	3.5	17.5 x 31.5 x 21.5	10C34
CH33-43C-2F	3.5	21 x 26.5 x 21.5	18W88	CH35-42C-2F	3.5	21 x 26.5 x 21.5	10C35
CH33-44/48B-2F	4	17.5 x 31.5 x 21.5	76L09	CH35-48B-2F	3.5/4	17.5 x 31.5 x 21.5	10C36
CH33-48C-2F	4	21 x 26.5 x 21.5	76L11	CH35-48C-2F	3.5/4	21 x 26.5 x 21.5	10C37
CH33-49C-2F	4	21 x 31.5 x 21.5	18W89	CH35-51C-2F	4	21 x 31.5 x 21.5	10C38
CH33-50/60C-2F	4 – 5	21 x 31.5 x 21.5	76L12	CH35-51C-2F	4	21 x 31.5 x 21.5	10C38
CH33-60D-2F	5	24.5 x 26.5 x 21.5	76L13	CH35-60D-2F	5	24.5 x 31.5 x 21.5	10C39
CH33-62D-2F	5	24.5 x 31.5 x 21.5	76L14	CH35-60D-2F	5	24.5 x 31.5 x 21.5	10C39

¹ When matched with a 2.5 ton air conditioner.

REVISIONS

Sections	Description of Change
Features	Added Quantum™ coil description.



Visit us at www.lennox.com

For the latest technical information, www.LennoxPros.com

Contact us at 1-800-4-LENNOX

NOTE - Due to Lennox' ongoing commitment to quality, Specifications, Ratings and Dimensions subject to change without notice and without incurring liability. Improper installation, adjustment, alteration, service or maintenance can cause property damage or personal injury. Installation and service must be performed by a qualified installer and servicing agency.

©2019 Lennox Industries, Inc.