

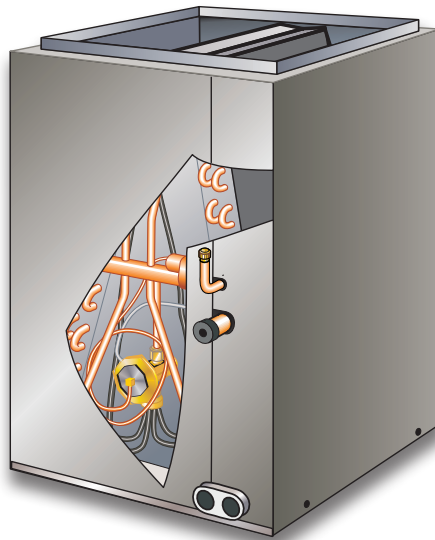


INDOOR COILS CX38

Upflow - Cased - R-410A - Heat Pump Only

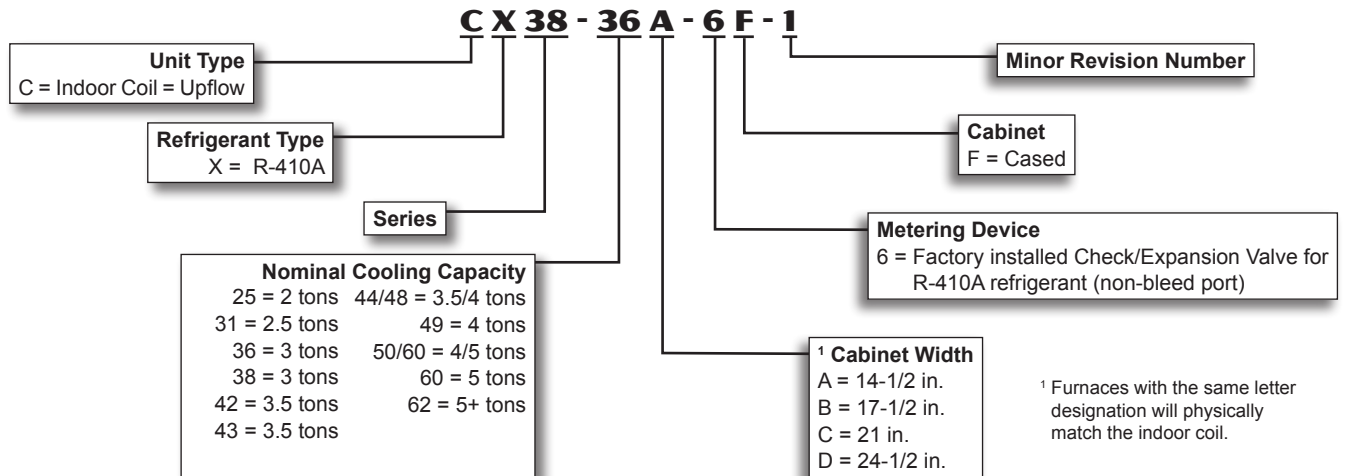
Bulletin No. 210765
February 2017

PRODUCT SPECIFICATIONS



2 to 5 Tons

MODEL NUMBER IDENTIFICATION



FEATURES

CONTENTS

Air Resistance.....	4
Dimensions.....	5
Features.....	1
Model Number Identification.....	1
Specifications.....	2

WARRANTY

All Covered Components - Limited warranty for five years in residential applications, one year warranty in non-residential applications.
Refer to Lennox Equipment Limited Warranty certificate included with equipment for details.

APPLICATIONS

NOTE - For use with heat pump outdoor units only.
Factory installed R-410A, check/expansion valve.
See Product Specifications in section Heat Pump Outdoor Units for indoor coil applications and cooling capacities.

TESTED

Tested with matching heat pump units.
Rated in accordance with AHRI Standard 210/240-2008 conditions and DOE test procedures.
Air resistance tests from Lennox Laboratory air test chamber.

FEATURES

REFRIGERANT SYSTEM

Coil Construction

- Durable copper tubing.
- Ripple-edged aluminum fins.
- Lanced fins provide maximum exposure of fin surface to air stream.
- Rifled tubing provides superior refrigerant heat transfer.
- Twin coil construction assembled in a A" configuration for large surface area.
- Non-corrosive, UV-resistant polymer drain pan with dual fpt drain connections.
- Sweat connections on both liquid and suction lines.
- High pressure testing insures leakproof construction.

Check/Expansion Valve

All models have a factory-installed, internal check/expansion valve.



For use with R-410A systems.

Wide range valve.

Chatleff style fitting.

Check/expansion valves are externally-equalized, non-bleed port type.

CABINET

- Cabinets insulated with thick fiberglass insulation.
- Constructed of pre-painted heavy gauge steel.
- Flanges provided in outlet opening of cabinet for ease of plenum connection.
- Removable panels provide access to coil.
- See dimension drawing.

Furnace Match-Up

- Coils exactly match corresponding furnaces with same letter designation in model number. No adaptor required.
- Engaging holes furnished on cabinet for alignment with furnace.

SPECIFICATIONS

2 TON

General Data	Model No.	CX38-25A-6F
	Nominal size - Tons	2
Line connections in.	Suction / vapor o.d. - sweat	3/4
	Liquid o.d. - sweat	3/8
	Condensate drain (fpt)	(2) 3/4
Indoor Coil	Net face area sq. ft.	3.55
	Tube diameter - in.	3/8
	Number of rows	3
	Fins per inch	14
Matching Lennox Furnace	Cabinet Width Designation	A
	¹ Coil & Furnace Cabinet Width - in.	14-1/2
Shipping Data	lbs.	39

SPECIFICATIONS

2 - 2.5 TON

General Data	Model No.	CX38-25B-6F	CX38-31A-6F	CX38-31B-6F
	Nominal size - Tons	2	2.5	2.5
Line connections in.	Suction / vapor o.d. - sweat	3/4	3/4	3/4
	Liquid o.d. - sweat	3/8	3/8	3/8
	Condensate drain (fpt)	(2) 3/4	(2) 3/4	(2) 3/4
Indoor Coil	Net face area sq. ft.	3.55	4.44	4.44
	Tube diameter - in.	3/8	3/8	3/8
	Number of rows	3	3	3
	Fins per inch	14	13	13
Matching Lennox Furnace	Cabinet Width Designation	B	A	B
	¹ Coil & Furnace Cabinet Width - in.	17-1/2	14-1/2	17-1/2
Shipping Data	lbs.	41	47	49

SPECIFICATIONS		3 TON					
General Data		Model No.	CX38-36A-6F	CX38-36B-6F	CX38-36C-6F	CX38-38A-6F	CX38-38B-6F
	Nominal size - Tons		3	3	3	3	3
Line connections in.	Suction / vapor o.d. - sweat		3/4	3/4	3/4	3/4	3/4
	Liquid o.d. - sweat		3/8	3/8	3/8	3/8	3/8
	Condensate drain (fpt)		(2) 3/4	(2) 3/4	(2) 3/4	(2) 3/4	(2) 3/4
Indoor Coil	Net face area sq. ft.		4.89	5.77	5.77	4.89	4.89
	Tube diameter - in.		3/8	3/8	3/8	3/8	3/8
	Number of rows		2	2	2	3	3
	Fins per inch		18	18	18	14	14
Matching Lennox Furnace	Cabinet Width Designation		A	B	C	A	B
	Coil & Furnace Cabinet Width - in.		14-1/2	17-1/2	21	14-1/2	17-1/2
Shipping Data	lbs.		45	46	50	49	51

SPECIFICATIONS		3.5 TO 4 TON					
General Data		Model No.	CX38-42B-6F	CX38-43B-6F	CX38-43C-6F	CX38-44/48B-6F	CX38-44/48C-6F
	Nominal size - Tons		3.5	3.5	3.5/4	3.5/4	3.5/4
Line connections in.	Suction / vapor o.d. - sweat		7/8	7/8	7/8	7/8	7/8
	Liquid o.d. - sweat		3/8	3/8	3/8	3/8	3/8
	Condensate drain (fpt)		(2) 3/4	(2) 3/4	(2) 3/4	(2) 3/4	(2) 3/4
Indoor Coil	Net face area sq. ft.		4.89	5.77	5.77	4.89	4.89
	Tube diameter - in.		3/8	3/8	3/8	3/8	3/8
	Number of rows		2	3	3	3	3
	Fins per inch		18	13	13	12	12
Matching Lennox Furnace	Cabinet Width Designation		B	B	C	B	C
	Coil & Furnace Cabinet Width - in.		17-1/2	17-1/2	21	17-1/2	21
Shipping Data	lbs.		47	60	63	52	55

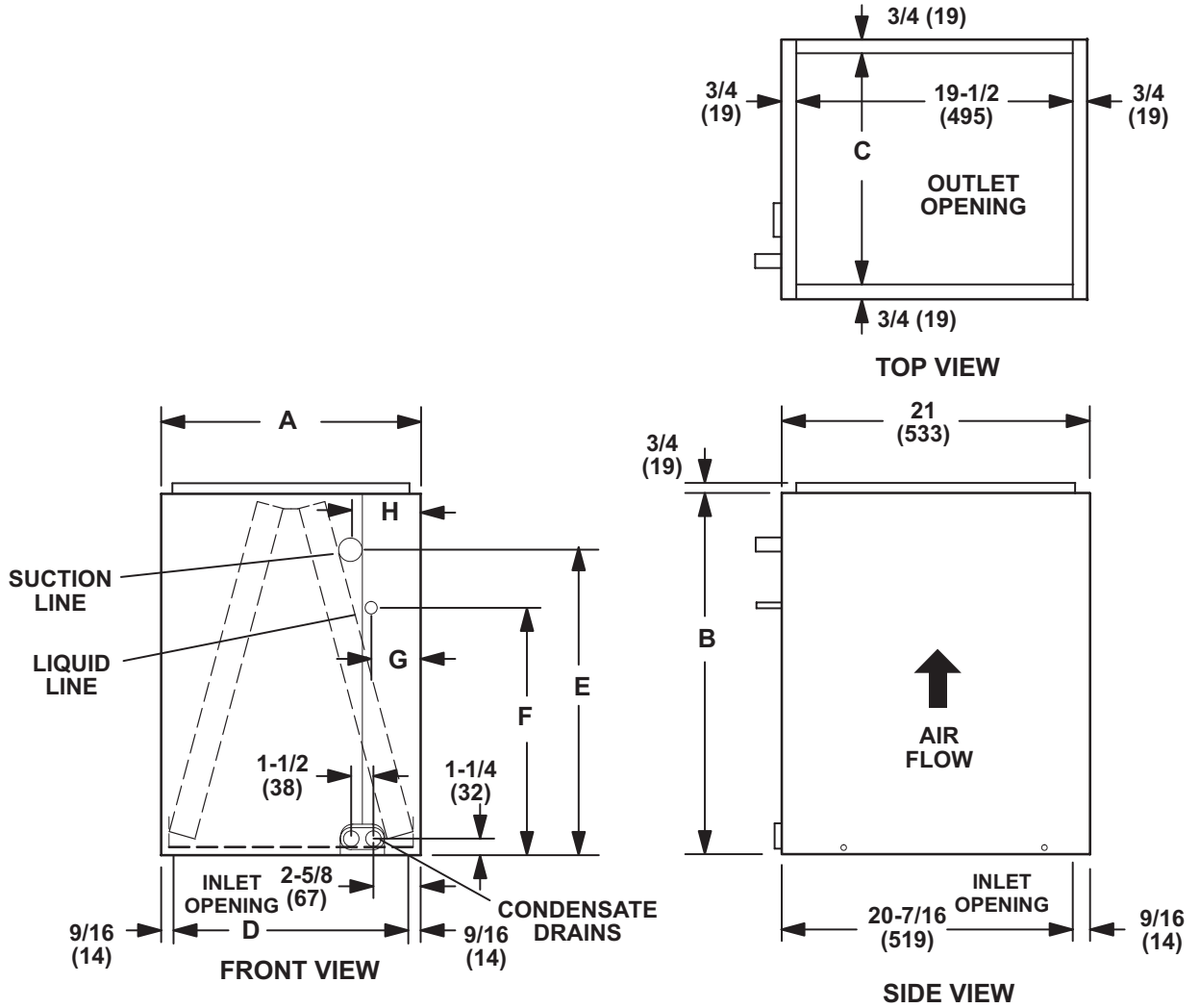
SPECIFICATIONS		4 TO 5 TON					
General Data		Model No.	CX38-49C-6F	CX38-50/60C-6F	CX38-60D-6F	CX38-62C-6F	CX38-62D-6F
	Nominal size - Tons		4	4/5	5	5	5
Line connections in.	Suction / vapor o.d. - sweat		7/8	7/8	7/8	7/8	7/8
	Liquid o.d. - sweat		3/8	3/8	3/8	3/8	3/8
	Condensate drain (fpt)		(2) 3/4	(2) 3/4	(2) 3/4	(2) 3/4	(2) 3/4
Indoor Coil	Net face area sq. ft.		7.0	5.78	6.50	7.50	7.58
	Tube diameter - in.		3/8	3/8	3/8	3/8	3/8
	Number of rows		3	3	3	3	3
	Fins per inch		15	12	12	16	14
Matching Lennox Furnace	Cabinet Width Designation		C	C	D	C	D
	Coil & Furnace Cabinet Width - in.		21	21	24-1/2	21	24-1/2
Shipping Data	lbs.		72	66	66	77	76

AIR RESISTANCE

Model No.	Air Volume cfm	Total Resistance	
		Dry Coil	Wet Coil
		in. w.g.	in. w.g.
CX38-25A-6F	400	0.05	0.05
	600	0.09	0.10
	800	0.16	0.18
	1000	0.23	0.26
	1200	0.32	0.36
CX38-25B-6F	400	0.03	0.04
	600	0.07	0.09
	800	0.11	0.15
	1000	0.17	0.22
	1200	0.23	0.31
CX38-31A-6F	600	0.07	0.08
	800	0.12	0.13
	1000	0.18	0.20
	1200	0.26	0.28
	1400	0.34	0.37
CX38-31B-6F	600	0.06	0.06
	800	0.09	0.11
	1000	0.13	0.16
	1200	0.19	0.23
	1400	0.25	0.31
CX38-36A-6F	800	0.13	0.14
	1000	0.19	0.21
	1200	0.27	0.30
	1400	0.34	0.39
	1600	0.45	0.51
CX38-36B-6F CX38-36C-6F CX38-38B-6F CX38-44/48B-6F	800	0.08	0.11
	1000	0.13	0.16
	1200	0.17	0.21
	1400	0.22	0.28
	1600	0.29	0.34
CX38-38A-6F	800	0.13	0.14
	1000	0.19	0.21
	1200	0.27	0.30
	1400	0.34	0.39
	1600	0.45	0.51
CX38-42B-6F	1000	0.13	0.16
	1200	0.17	0.21
	1400	0.22	0.28
	1600	0.29	0.34
	1800	0.34	0.42

Model No.	Air Volume cfm	Total Resistance	
		Dry Coil	Wet Coil
		in. w.g.	in. w.g.
CX38-43B-6F	1000	0.13	0.13
	1200	0.18	0.18
	1400	0.23	0.24
	1600	0.30	0.31
	1800	0.37	0.40
	2000	0.45	0.48
CX38-43C-6F	1000	0.07	0.09
	1200	0.10	0.12
	1400	0.13	0.16
	1600	0.16	0.20
	1800	0.20	0.24
CX38-44/48C-6F CX38-50/60C-6F	1200	0.13	0.17
	1400	0.18	0.23
	1600	0.23	0.29
	1800	0.28	0.37
	2000	0.34	0.43
CX38-49C-6F	1200	0.08	0.12
	1400	0.13	0.17
	1600	0.17	0.22
	1800	0.22	0.28
	2000	0.28	0.35
CX38-60D-6F CX38-62D-6F	1400	0.11	0.15
	1600	0.14	0.18
	1800	0.17	0.21
	2000	0.21	0.27
	2200	0.25	0.32
	2400	0.30	0.37
CX38-62C-6F	1400	0.15	0.19
	1600	0.19	0.23
	1800	0.24	0.28
	2000	0.29	0.34
	2200	0.33	0.40
	2400	0.39	0.46

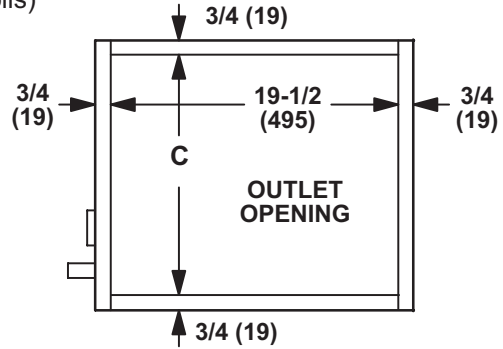
CX38-36, -38 and -42B Coils



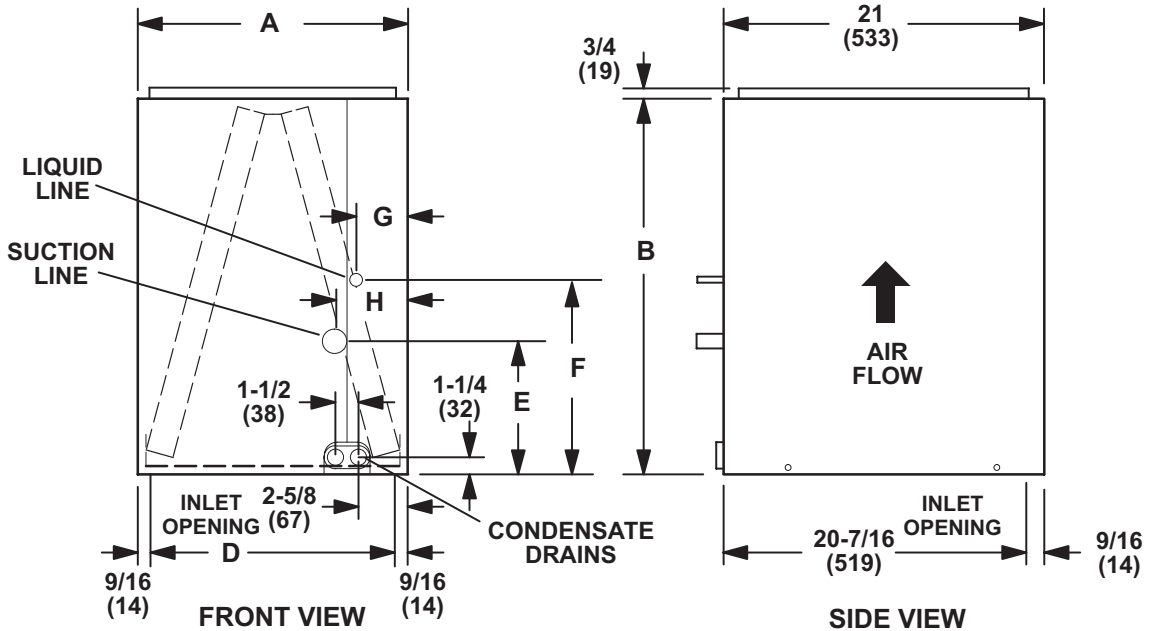
Model Number	A		B		C		D		E		F		G		H	
	in.	mm	in.	mm	in.	mm	in.	mm	in.	mm	in.	mm	in.	mm	in.	mm
CX38-36A-6F	14-1/2	368	24-1/2	622	13	330	13-3/8	340	19-1/4	489	16-3/8	416	2-3/4	70	3-7/8	98
CX38-36B-6F	17-1/2	445	24-1/2	622	16	406	16-3/8	416	18-5/8	473	15-5/8	397	3	76	4-1/8	105
CX38-36C-6F	21	533	24-1/2	622	19-1/2	495	19-7/8	505	19-5/8	498	16-5/8	422	4-3/4	121	3-5/8	92
CX38-38A-6F	14-1/2	368	24-1/2	622	13	330	13-3/8	340	18-1/8	464	15-3/8	391	2-3/4	70	3-7/8	98
CX38-38B-6F	17-1/2	445	24-1/2	622	16	406	16-3/8	416	18-3/8	467	15-1/2	394	2-3/4	70	3-7/8	98
CX38-42B-6F	17-1/2	445	24-1/2	622	16	406	16-3/8	416	18-5/8	467	15-5/8	397	3	76	4-1/8	105

CX38-25, -31, -43, -44/48, -50/60C, -60D and -62D Coils
 (NOTE - See next page for CX38-49C-6F and CX38-62C-6F Coils)

NOTE- CX38-60D and CX38-62D coils are positioned in cabinet with coil face running left to right, all other coil sizes are positioned like drawing.



TOP VIEW

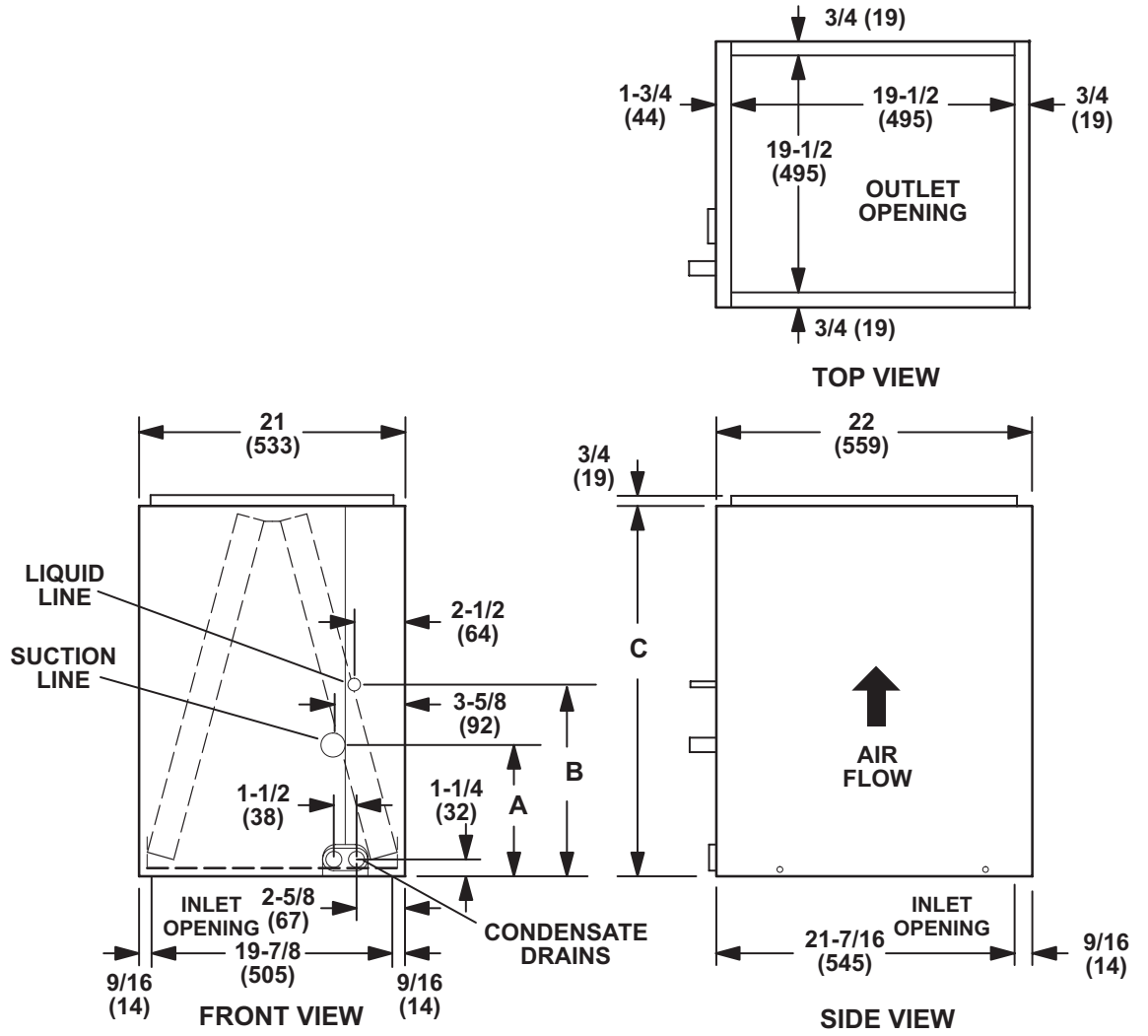


FRONT VIEW

SIDE VIEW

Model Number	A		B		C		D		E		F		G		H	
	in.	mm	in.	mm	in.	mm	in.	mm	in.	mm	in.	mm	in.	mm	in.	mm
CX38-25A-6F	14-1/2	368	18-1/2	470	13	330	13-3/8	340	12-7/8	327	15-7/8	403	3	76	3-7/8	98
CX38-25B-6F	17-1/2	445	18-1/2	470	16	406	16-3/8	416	12-7/8	327	15-7/8	403	3-1/4	83	4-1/8	105
CX38-31A-6F	14-1/2	368	22-1/2	572	13	330	13-3/8	340	12-3/8	314	15-3/8	391	1-1/2	38	2-3/8	60
CX38-31B-6F	17-1/2	445	22-1/2	572	16	406	16-3/8	416	12-3/8	314	15-3/8	391	3-1/4	83	4-1/8	105
CX38-43B-6F	17-1/2	445	27-1/2	699	16	406	16-3/8	416	16-3/4	425	19-3/4	502	3-1/4	83	4-1/8	105
CX38-43C-6F	21	533	27-1/2	699	19-1/2	495	19-7/8	505	16-3/4	425	19-3/4	502	2-3/4	70	3-5/8	92
CX38-44/48B-6F	17-1/2	445	24-1/2	622	16	406	16-3/8	416	9-3/4	248	12-3/4	324	3	76	4-1/8	105
CX38-44/48C-6F	21	533	24-1/2	622	19-1/2	495	19-7/8	505	12-3/4	324	15-3/4	400	4-1/4	108	5-3/8	137
CX38-50/60C-6F	21	533	27-1/2	699	19-1/2	495	19-7/8	505	16-1/2	419	19-1/2	495	2-1/2	64	3-5/8	92
CX38-60D-6F	24-1/2	622	25-1/2	648	23	584	23-3/8	594	11-7/8	302	14-7/8	518	1-5/8	41	2-3/4	70
CX38-62D-6F	24-1/2	622	29-1/2	749	23	584	23-3/8	594	18-7/8	479	21-7/8	556	1-5/8	41	2-3/4	70

CX38-49C-6F and CX38-62C-6F



Model Number	A		B		C	
	in.	mm	in.	mm	in.	mm
CX38-49C-2F	15-7/8	403	18-3/4	476	29-1/2	749
CX38-62C-2F	18-7/8	479	21-7/8	556	31-1/2	800



Visit us at www.lennox.com

For the latest technical information, www.LennoxPROs.com

Contact us at 1-800-4-LENNOX

NOTE - Due to Lennox' ongoing commitment to quality, Specifications, Ratings and Dimensions subject to change without notice and without incurring liability. Improper installation, adjustment, alteration, service or maintenance can cause property damage or personal injury. Installation and service must be performed by a qualified installer and servicing agency.

©2017 Lennox Industries, Inc.