



**GAS FURNACES**

**G50UHi**

**ELITE® SERIES**

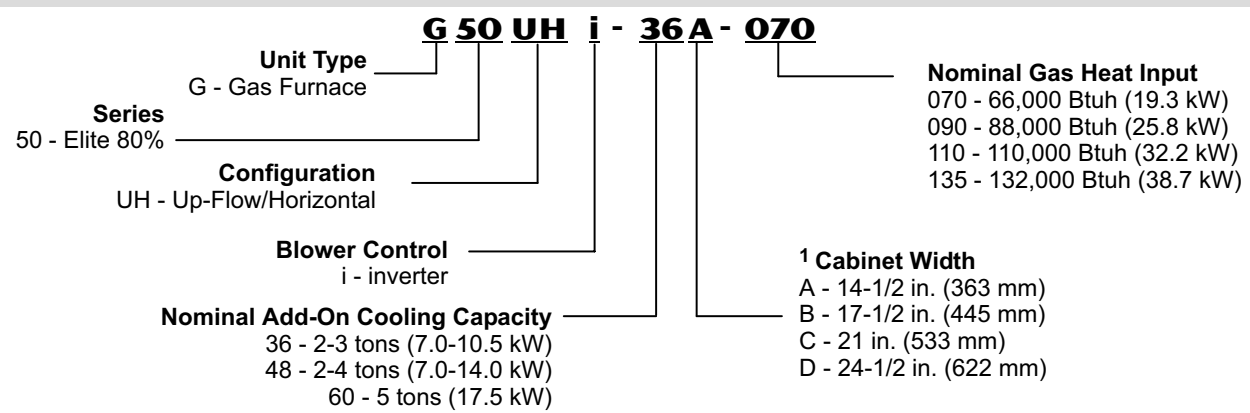
**Up-Flow / Horizontal - Precision Speed Blower**

Bulletin No. 210380  
 August 2005  
 Supersedes May 2004



**AFUE - 80%**  
**Input - 66,000 to 132,000 Btuh**  
**Nominal Add-on Cooling - 2 to 5 Tons**

**MODEL NUMBER IDENTIFICATION**



<sup>1</sup> Indoor coils with the same letter designation will physically match the furnace.

## FEATURES

### CONTENTS

Blower Data	Pages 11-12
Dimensions	Pages 8-10
Features and Options	Pages 2-4
Filter Air Resistance	Page 7
High Altitude Information	Page 7
Installation Clearances	Page 7
Model Number Identification	Page 1
Optional Accessories Selection Table	Page 6
Specifications	Page 5
Winter Design Temperature Map	Page 4

### WARRANTY

Duralok™ Aluminized Steel Heat Exchanger - Twenty years limited warranty.

All other covered components - Five years limited warranty in residential applications and one year in non-residential applications.

Refer to Lennox Equipment Limited Warranty certificate included with equipment for details.

### APPROVALS

Units certified by CSA International and ratings are certified by GAMA.

Units tested and rated according to US DOE test procedures and FTC labeling regulations.

Approved by California Energy Commission and meet California Seasonal Efficiency requirements. Models are NOT rated to California Nitrogen Oxides (NOx) Standards.

Blower data from unit tests conducted in Lennox Laboratory air test chamber.

### APPLICATIONS

Input capacities of 66,000, 88,000, 110,000, and 132,000 Btuh (19.3, 25.8, 32.2, and 38.7 kW).

Energy efficiency (AFUE) of 80.0%.

Utility room, alcove, closet, crawl space, or attic installation.

Lennox add-on indoor coils, electronic air cleaners and humidifiers can easily be added to furnace.

Shipped factory assembled with all controls installed and wired.

Ready for installation in up-flow or horizontal left or right hand position without any modifications. Removeable bottom seal panel shipped in place for side return air is easily removed for bottom/end return air applications.

Each unit factory test operated to ensure proper operation.

### HEATING COMPONENTS

#### 1 Lennox Duralok™ Aluminized Steel Heat Exchanger

Heavy gauge aluminized steel heat exchanger.

Crimped seam clamshell type design.

Designed for normal expansion and contraction.

Minimum resistance to air flow.

Heat exchanger has been laboratory life cycle tested.

#### Inshot Burners

Aluminized steel inshot burners.

Burner venturi mixes air and gas in correct proportion for proper combustion.

Burner assembly is removeable from the unit as a single component for servicing.

#### SureLight® Hot Surface Ignitor

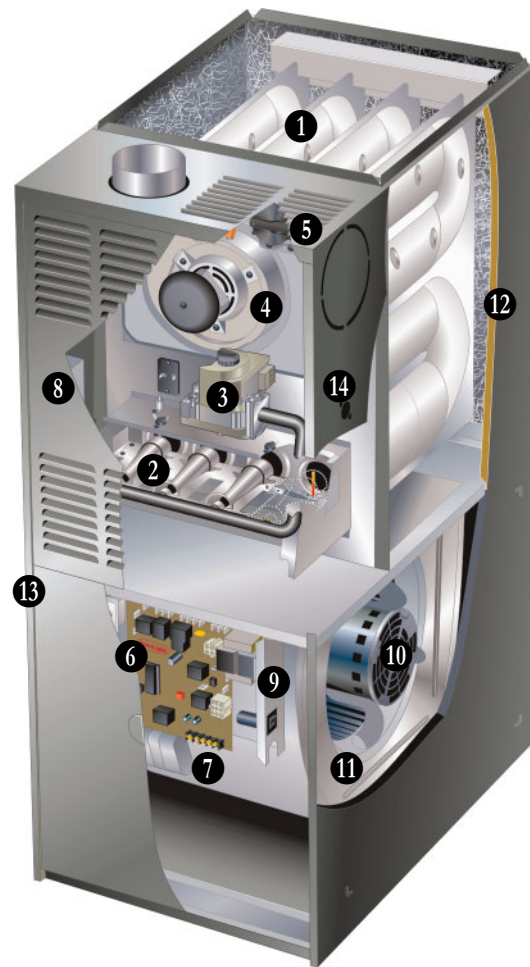
Tough, reliable, long-life, trouble-free performance.

Tungsten heater element sandwiched between two plates of silicon nitride.

Cemented to steatite block for protection against current leakage.

Ignition leads constructed of nickel plated copper enclosed in high temperature Teflon insulation for dependable operation.

No electrical noise.



#### Gas Control Valve

24 volt redundant combination gas control valve combines manual shut off valve (On-Off), automatic electric valve (dual) and gas pressure regulation into a compact combination control.

#### Combustion Air Inducer

Shaded-pole, heavy-duty blower prepurges heat exchanger and safely vents flue products.

Pressure switch proves blower operation before allowing gas valve to open.

Operates only during heating cycle.

Direct access allows inducer assembly to be rotated 90° clockwise or counterclockwise to facilitate easy vent attachment in horizontal applications.

#### Limit Controls

Automatic reset, primary and secondary limits are accurately located.

Primary limit factory installed on vestibule panel on all units, secondary limits factory installed on blower housing.

#### Flame Rollout Switches (2)

Manual reset.

Factory installed on burner box.

Switches provide protection from abnormal operating conditions.

### OPTIONS

#### High Altitude Orifice Kit - Natural Gas Only

Required for all natural gas models for proper unit operation at altitudes of 7501 to 10,000 feet (2286 to 3048 m).

#### High Altitude Pressure Switch Kit

Required on certain units for proper unit operation on installations above 4,500 ft. (1372 m).

#### LPG/Propane Conversion Kit

Required for field changeover from natural gas.

## FEATURES

### Vent Adaptor (Up-Flow Applications Only)

Allows venting through a masonry chimney without the need of a flue liner.

Manual reset temperature sensor protects against abnormal operating conditions.

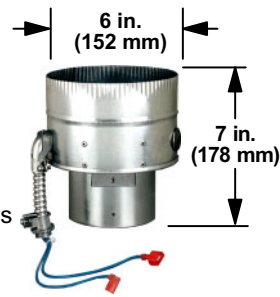
Sensor wiring may be routed from either side of adaptor.

Minimum winter design temperatures when used with G50UH furnaces:

-10°F (-23°C) for -45, -70, -90, -135 models.

+5°F (-15°C) for -110 models.

Refer to Winter Design Temperatures Map on next page for application information. Also refer to the installation instructions for detailed information.



## CONTROLS

### SureLight® Integrated Furnace Control Module

Solid-state board contains all necessary controls and relays to operate furnace.

Combustion air inducer is controlled by board. Prior to ignition, a pre-purge cycle for 15 seconds is initiated. After the main burners are turned off, a post-purge cycle for 5 seconds is run.

Adaptive technology of ignition control board continuously monitors and adjusts the ignitor power to operate at minimum ignitor temperature required for ignition, prolonging ignitor life.

Electronic flame sensor control assures safe and reliable operation. Should loss of flame occur, flame sensor controls will initiate 5 attempts at re-ignition before locking out unit operation for 60 minutes.

Watchguard type circuit automatically resets ignition controls after one hour of continuous thermostat demand after unit lockout, eliminating nuisance calls for service.

Fan control consists of adjustable blower timed-off delay (60, 90, 120, 180 seconds - factory setting 90 seconds) and fixed blower timed-on delay (45 seconds).

For air-conditioning applications, blower control module is energized by the SureLight control board on thermostat demand for cooling.

Terminal for continuous low speed blower operation.

Two accessory terminals furnished for additional power supply requirements for 120 volt (less than 1 amp) power humidifiers and powered air cleaners.

Ignition control has two LED's to indicate status and as an aid in troubleshooting.

### Blower Control Module



The module is factory wired between the SureLight ignition control module and the indoor blower motor.

Alters the frequency and voltage of the power supply to the blower to control blower speed.

Three blower speeds are available for cooling mode. Four blower speeds are available for Heating, Continuous Air and Dehumidification modes.

Lower operating costs are obtained when the blower is operated on lower speeds for continuous air circulation.

Ramping Profiles - offers passive humidity control during cooling operation:

For single-stage cooling applications without a humidistat there are three dehumidification profiles available. These are automatically run every time there is a call for cooling from the thermostat.

Motor runs at 82% for 7-1/2 minutes, then at 100% until demand is satisfied.

Motor runs at 75% for 10 minutes, then at 100% until demand is satisfied.

Motor runs at 75% for 15 minutes, then at 100% until demand is satisfied.

Active dehumidification option is available. Requires the use of a thermostat which includes a humidity sensor and a relay, both of which must be ordered separately. When this option is used, the blower control module shifts the indoor blower motor to a lower speed (determined by the selector jumper) when the indoor thermostat indicates a dehumidification requirement.

### Field Wiring Make-up Box

Furnished for line voltage wiring.

Factory installed internally on left side of furnace.

Box can be installed internally or externally on either side of furnace.

### 24 Volt Transformer

Furnished and factory installed in control box.

40VA transformer has circuit breaker wired in series.

## OPTIONS

### SignatureStat™ Home Comfort Control

Combination temperature and humidity control in cooling mode.

2 Heat/2 Cool

Auto-changeover

Controls humidity during cooling operation.

Easy-to-use, menu driven thermostat with a back-lit, dot-matrix LCD screen.

Remote outdoor sensor (furnished) allows the thermostat to display outdoor temperature and adjust indoor dewpoint temperature for precision humidity control in cooling mode.

See the SignatureStat Engineering Handbook bulletin in the Controls section for more information.



### Thermostat

See Thermostat bulletins in Controls section and Lennox Price Book for a complete list of thermostats.

### Relay Kit

Required for proper blower performance in two-stage cooling applications and applications with humidistat.

## BLOWER

Multi-speed, direct drive blower with ball bearings.

Statically and dynamically balanced.

Resiliently mounted.

Blower assembly easily removed for servicing.

## FEATURES

### CABINET

Low profile, narrow width cabinet allows easy installation.  
Heavy-gauge, cold-rolled steel construction.  
Pre-painted cabinet finish.  
Flue outlet on top of cabinet for up-flow applications, can be relocated to either side of cabinet for horizontal applications.  
Flanges provided on supply air opening for ease of plenum connection or alignment with evaporator coil.  
Fully insulated cabinet with foil faced insulation on sides and back of heating compartment and mat faced insulation in blower compartment.  
Complete service access.  
Safety interlock switch automatically shuts off power to unit when blower compartment access door is removed.  
Gas piping and electrical inlets are provided in both sides of cabinet.

#### Return Air Entry:

Bottom/end entry for up-flow/horizontal applications - remove furnished bottom seal panel from cabinet.  
Side return air entry for up-flow applications - corners are marked on either side of cabinet for return air cut-outs. See dimension drawings.

### Coil Match-up

All furnaces exactly match C33 and CX34 cased up-flow and CH33 cased horizontal indoor coils with same letter designation in model number. No adaptor required. Engaging holes furnished on cabinet for alignment. See Specifications table and dimension drawings.  
C33 uncased coils match furnaces without any overhang but require an optional adaptor base or field fabricated transition to match furnace opening. See C33 coil bulletin for additional information.

### OPTIONS

#### Air Filter and Rack Kit for Horizontal Return Air (End) Applications

Washable or vacuum cleanable polyurethane frame type filter and external end return air rack available for field installation.  
Rack has filter door for easy filter servicing.  
Flanges on rack allow easy duct connection.  
See dimension drawing.

#### EZ Filter Base for Up-Flow Bottom Return Air Applications

Hinged door with thumbscrew for easy filter access.  
Uses standard size filters (field provided).

#### Air Filter and Rack Kit for Up-Flow Side Return Air Applications - Not for use with RAB Return Air Base

Washable or vacuum cleanable polyurethane frame type filter and external side return air rack available for field installation.  
Available in single and ten pack kits.  
Rack has filter door for easy filter servicing.  
Flanges on rack allow easy duct connection.  
Field installs on either side of unit cabinet. See dimension drawing.

#### Horizontal Support Frame Kit

Provides support of unit in horizontal applications.  
Consists of (2) 1 x 1-1/2 x 32-5/8 in. (25 x 38 x 829 mm) and (2) 1 x 3 x 53-7/8 in. (25 x 76 x 1368 mm) painted heavy gauge cold rolled steel support channels with assembly and suspending holes.  
Bolts and nuts furnished for field assembly.  
Suspending rods must be field provided.

## 99% WINTER DESIGN TEMPERATURES FOR THE CONTIGUOUS UNITED STATES



This map is a necessarily generalized guide to temperatures in the contiguous United States. Temperatures shown for areas such as mountainous regions and large urban centers may not be accurate. The data used to develop this map was taken from the 1993 ASHRAE Fundamentals Handbook (Chapter 24, Table 1: Climate Conditions for the United States).  
Reprinted with permission from NFPA 54: *National Fuel Gas Code* ©1999, National Fire Protection Association, Quincy, MA 02269. This reprinted material is not the complete and official position of the National Fire Protection Association on the referenced subject, which is represented only by the standard in its entirety.

## SPECIFICATIONS

		Model No.	G50UHi-36A-070	G50UHi-36B-090	G50UHi-48B-090
<b>Gas Heating Performance</b>	Input - Btuh (kW)		66,000 (19.3)	88,000 (25.8)	88,000 (25.8)
	Output - Btuh (kW)		53,000 (15.5)	71,000 (20.8)	71,000 (20.8)
	Temperature rise range - °F (°C)		40 - 70 (22 - 39)	40 - 70 (22 - 39)	40 - 70 (22 - 39)
	<sup>1</sup> AFUE		80.0%	80.0%	80.0%
	High static (CSA) - in. w.g. (Pa)		.50 (124)	.50 (124)	.50 (124)
<b>Connections</b>	Flue - in. (mm) round		4 (102)	4 (102)	4 (102)
	Gas pipe size IPS - in. (mm)		1/2 (12.7)	1/2 (12.7)	1/2 (12.7)
<b>Indoor Blower</b>	Wheel nominal diameter x width - in. (mm)		10 x 8 (254 x 203)	10 x 8 (254 x 203)	10 x 10 (254 x 254)
	Motor output - hp (W)		1/3 (249)	1/3 (249)	1/2 (373)
	Tons (kW) of add-on cooling		2 - 3 (7.0 - 10.6)	2 - 3 (7.0 - 10.6)	3 - 4 (10.6 - 14.1)
	Air Volume Range - cfm (L/s)		510 - 1530 (240 - 720)	550 - 1645 (260 - 775)	670 - 2060 (315 - 970)
<b>Shipping weight - 1 package</b>			132 lbs. (60 kg)	146 lbs. (66 kg)	153 lbs (69 kg)
<b>Electrical characteristics</b>			120 volts - 60 hertz - 1 phase (less than 12 amps)		

## SPECIFICATIONS

		Model No.	G50UHi-60C-110	G50UHi-60D-135
<b>Gas Heating Performance</b>	Input - Btuh (kW)		110,000 (32.2)	132,000 (38.7)
	Output - Btuh (kW)		88,000 (25.8)	107,000 (31.3)
	Temperature rise range - °F (°C)		30 - 60 (18 - 36)	45 - 75 (25 - 42)
	<sup>1</sup> AFUE		80.0%	80.0%
	High static (CSA) - in. w.g. (Pa)		.50 (124)	.50 (124)
<b>Connections</b>	Flue - in. (mm) round		4 (102)	<sup>2</sup> 4 (102)
	Gas pipe size IPS - in. (mm)		1/2 (12.7)	1/2 (12.7)
<b>Indoor Blower</b>	Wheel nominal diameter x width - in. (mm)		11-1/2 x 10 (292 x 254)	11-1/2 x 10 (292 x 254)
	Motor output - hp (W)		1 (746)	1 (746)
	Tons (kW) of add-on cooling		4 - 5 (14.1 - 17.6)	4 - 5 (14.1 - 17.6)
	Air Volume Range - cfm (L/s)		995 - 2570 (470 - 1215)	1035 - 2615 (490 - 1235)
<b>Shipping weight - 1 package</b>			175 lbs. (79 kg)	195 lbs. (88 kg)
<b>Electrical characteristics</b>			120 volts - 60 hertz - 1 phase (less than 12 amps)	

NOTE - Filters and provisions for mounting are not furnished and must be field provided.

<sup>1</sup> Annual Fuel Utilization Efficiency based on DOE test procedures and according to FTC labeling regulations. Isolated combustion system rating for non-weatherized furnaces.

<sup>2</sup> Flue connection on the unit is 4 in. (102 mm) diameter. Most applications will require 5 in. (127 mm) venting and field supplied 4 x 5 in. (102 x 127 mm) adaptor. See Venting Tables in the Installation Instructions for detailed information.

**OPTIONAL ACCESSORIES - MUST BE ORDERED EXTRA**

			"A" Width Models	"B" Width Models	"C" Width Models	"D" Width Models
--	--	--	------------------	------------------	------------------	------------------

**FILTER KITS**

<sup>1</sup> Air Filter and Rack Kit	Horizontal (end)	Catalog No.	<b>87L95</b>	<b>87L96</b>	<b>87L97</b>	<b>87L98</b>
		Size of filter - in. (mm)	14 x 25 x 1 (356 x 635 x 25)	18 x 25 x 1 (457 x 635 x 25)	20 x 25 x 1 (508 x 635 x 25)	25x25 x 1 (635x635 x25)
	Side Return	Single	<b>44J22</b>	<b>44J22</b>	<b>44J22</b>	<b>44J22</b>
		Ten Pack	<b>66K63</b>	<b>66K63</b>	<b>66K63</b>	<b>66K63</b>
		Size of filter - in. (mm)	16 x 25 x 1 (406 x 635 x 25)	16 x 25 x 1 (406 x 635 x 25)	16 x 25 x 1 (406 x 635 x 25)	16 x 25 x 1 (406 x 635 x 25)
EZ Filter Base Up-Flow Only	Catalog No. - Ship. Wt. - lbs. (kg)		<b>73P55 - 7 (3)</b>	<b>73P56 - 7 (3)</b>	<b>73P57 - 8 (4)</b>	<b>73P58 - 10 (5)</b>
	Size of field provided filter - in. (mm)		14 x 25 x 1 (356 x 635 x 25)	16 x 25 x 1 (406 x 635 x 25)	20 x 25 x 1 (508 x 635 x 25)	24 x 24 x 1 (610 x 610 x 25)

**CABINET ACCESSORIES**

Down-Flow Additive Base - Down-Flow Only	<b>11M60</b>	<b>11M60</b>	<b>11M61</b>	<b>11M62</b>
Horizontal Support Frame Kit - Horizontal Only	<b>56J18</b>	<b>56J18</b>	<b>56J18</b>	<b>56J18</b>
Return Air Base - Up-Flow Only	- - -	<b>76M88</b>	<b>74M74</b>	<b>74M75</b>

**CONTROLS**

Relay Kit	<b>56L68</b>	<b>56L68</b>	<b>56L68</b>	<b>56L68</b>
SignatureStat™ Home Comfort Controller	<b>51M27</b>	<b>51M27</b>	<b>51M27</b>	<b>51M27</b>

**VENTING**

Vent Adaptor - 6 in. 152 (mm) connection size up-flow applications only	<b>18M79 - 2 lbs. (1 kg)</b>	<b>18M79 - 2 lbs. (1 kg)</b>	<b>18M79 - 2 lbs. (1 kg)</b>	<b>18M79 - 2 lbs. (1 kg)</b>
---	------------------------------	------------------------------	------------------------------	------------------------------

<sup>1</sup> Cleanable polyurethane frame type filter.

**GAS HEAT ACCESSORIES**

Input	<sup>1</sup> High Altitude Orifice Kit Natural Gas Only	High Altitude Pressure Switch Kit		LPG/Propane Kit	
		4501-7500 ft. (1372-2286 m)	7501-10,000 ft. (2286-3048 m)	0-7500 ft. (0-2286 m)	7501-10,000 ft. (2286-3048 m)
-070	<b>47M82</b>	<b>56L32</b>	<b>56L32</b>	<b>45L60</b>	<b>47M81</b>
-090	<b>47M82</b>	<b>49L90</b>	<b>15M22</b>	<b>45L60</b>	<b>47M81</b>
-110	<b>47M82</b>	<b>49L90</b>	<b>15M22</b>	<b>45L60</b>	<b>47M81</b>
-135	<b>47M82</b>	<b>49L90</b>	<b>15M22</b>	<b>45L60</b>	<b>47M81</b>

<sup>1</sup> Required for proper operation at altitudes from 7501 to 10,000 ft. (2286 to 3048 m).

<sup>2</sup> Order two each.

<sup>3</sup> For applications from 7501-10,000 ft. (2286 - 3048 m), High Altitude Orifice Kit must be ordered separately.

## FILTER AIR RESISTANCE

cfm	L/s	in. w.g.	Pa
0	0	0.00	0
200	95	0.01	0
400	190	0.03	5
600	285	0.04	10
800	380	0.06	15
1000	470	0.09	20
1200	565	0.12	30
1400	660	0.15	35
1600	755	0.19	45
1800	850	0.23	55
2000	945	0.27	65
2200	1040	0.33	80
2400	1130	0.38	95
2600	1225	0.44	110

## HIGH ALTITUDE INFORMATION

All models - Pressure regulator adjustment may be required depending on altitude. See below for proper pressure regulator setting.

### Manifold Pressure (Outlet) in. w.g. (kPa)

FUEL	ALTITUDE ft. (m)			
	0-4500 (0-1372)	4501-5500 (1373-1676)	5501-6500 (1677-1981)	6501-7500 (1982-2286)
Natural Gas	3.5 (.87)	3.3 (.82)	3.2 (.80)	3.1 (.77)
LPG/Propane	10.0 (2.49)	10.0 (2.49)	10.0 (2.49)	10.0 (2.49)

Pressure switch is factory set. No adjustment is necessary.

All models use the factory installed pressure switch from 0-4500 feet (0-1370 m).

All models require a High Altitude Pressure Switch Kit if installed at altitudes above 4500 feet (1372 m).

All natural gas models require a High Altitude Orifice Kit at altitudes of 7500-10,000 feet (2286-3048 m).

See Specifications table for ordering information.

## INSTALLATION CLEARANCES - INCHES (MM)

### UP-FLOW POSITION

Vent Type	Type "B1"	Type "C"
Sides	0 inches (0 mm)	<sup>1</sup> 0 inches (0 mm)
Rear	0 inches (0 mm)	0 inches (0 mm)
Top	1 inch (25 mm)	1 inch (25 mm)
Front	3 inches (76 mm)	3 inches (76 mm)
Front (service/alcove)	24 inches (610 mm)	24 inches (610 mm)
Floor	Combustible	Combustible
Flue	1 inch (25 mm)	6 inch (152 mm)

NOTE—Air for combustion and supply air ventilation must conform to the methods outlined in American National Standard (ANSI-Z223.1) National Fuel Gas Code or National Standard of Canada CAN/CGA-149.1, & CAN/CGA-149.2 "Installation Code for Gas Burning Appliances".

NOTE—In the U.S. flue sizing must conform to the methods outlined in current GAMA/A.G.A. venting tables, American National Standard (ANSI-Z223.1) National Fuel Gas Code or applicable provisions of local building codes. In Canada flue sizing must conform to the methods outlined in National Standard of Canada CAN/CGA-149.1 and .2.

<sup>1</sup> Left side requires 4 in. (102 mm) if single wall vent is used on 14-1/2 in. (368 mm) cabinets, 2 in. (76 mm) on 17-1/2 in. (980 mm) cabinets.

### HORIZONTAL POSITION

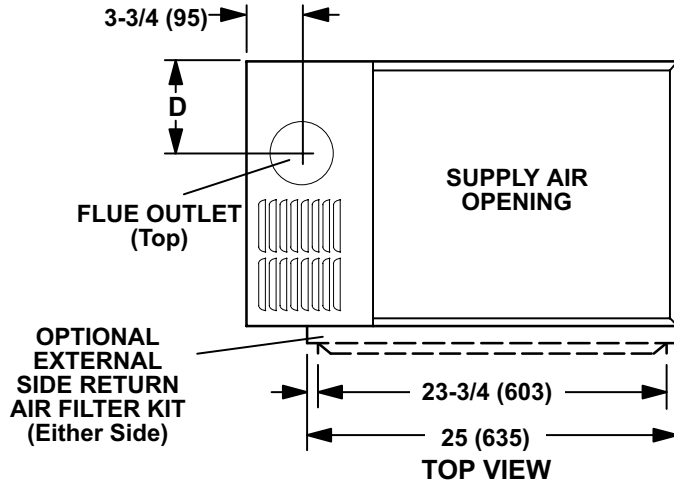
Vent Type	Type "B1"	Type "C"
<sup>1</sup> Ends	<sup>1</sup> 2 inches (51 mm)	<sup>1</sup> 2 inches (51 mm)
Rear	0 inches (0 mm)	0 inches (0 mm)
<sup>1</sup> Top	<sup>1</sup> 0 inches (0 mm)	<sup>1</sup> 0 inches (0 mm)
Front	3 inches (76 mm)	3 inches (76 mm)
Front (service)	24 inches (610 mm)	24 inches (610 mm)
Floor	0 inches (0 mm)	0 inches (0 mm)
Flue	1 inch (25 mm)	6 inch (152 mm)

NOTE—Air for combustion and supply air ventilation must conform to the methods outlined in American National Standard (ANSI-Z223.1) National Fuel Gas Code or National Standard of Canada CAN/CGA-149.1, & CAN/CGA-149.2 "Installation Code for Gas Burning Appliances".

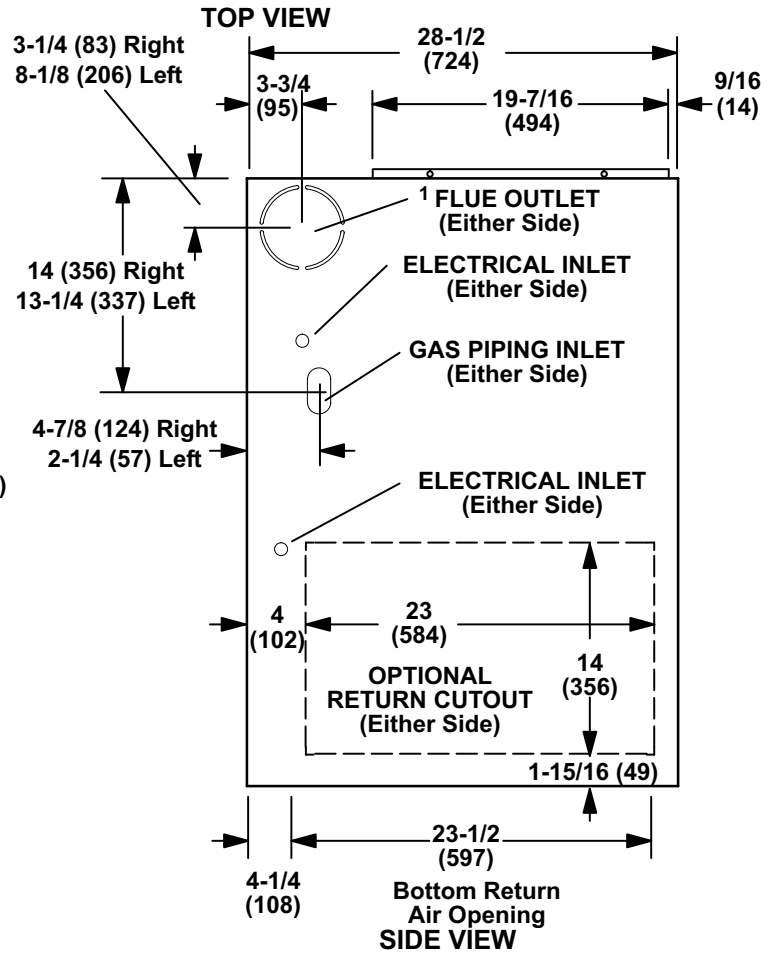
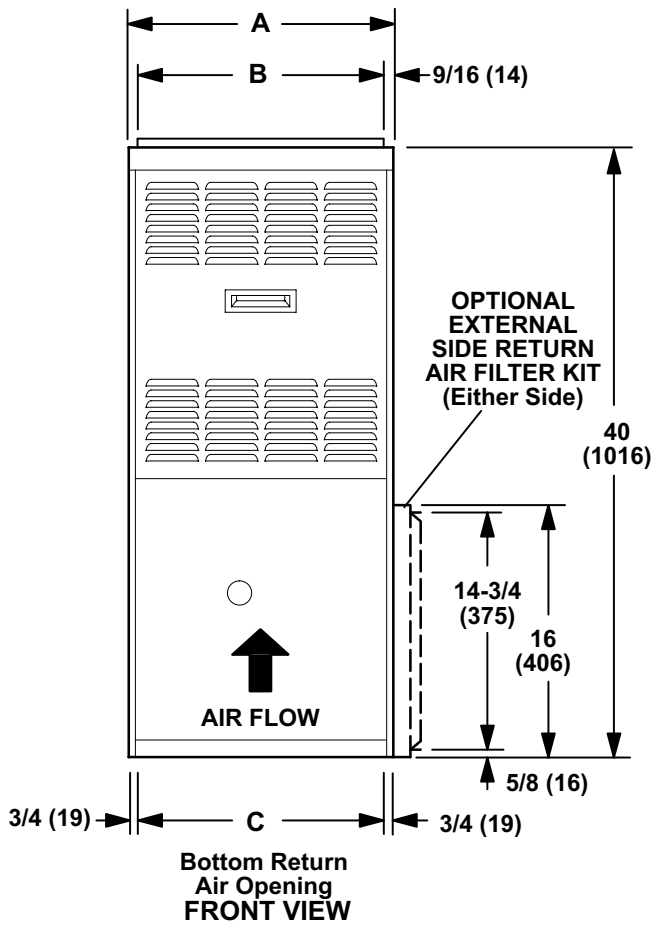
NOTE—In the U.S. flue sizing must conform to the methods outlined in current GAMA/A.G.A. venting tables, American National Standard (ANSI-Z223.1) National Fuel Gas Code or applicable provisions of local building codes. In Canada flue sizing must conform to the methods outlined in National Standard of Canada CAN/CGA-149.1 and .2.

<sup>1</sup> Line contact installation permissible between jacket top or sides and building joists.

# DIMENSIONS - INCHES (MM) - UP-FLOW POSITION



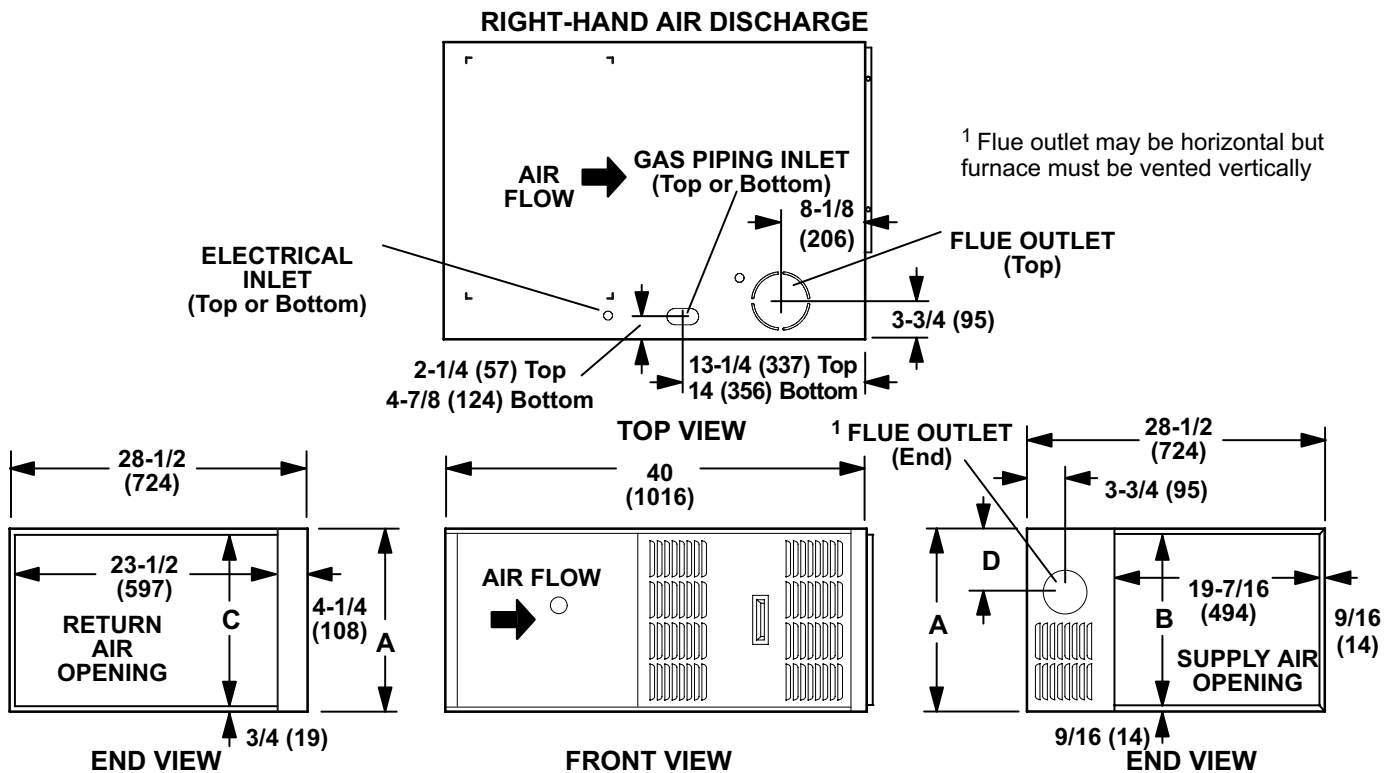
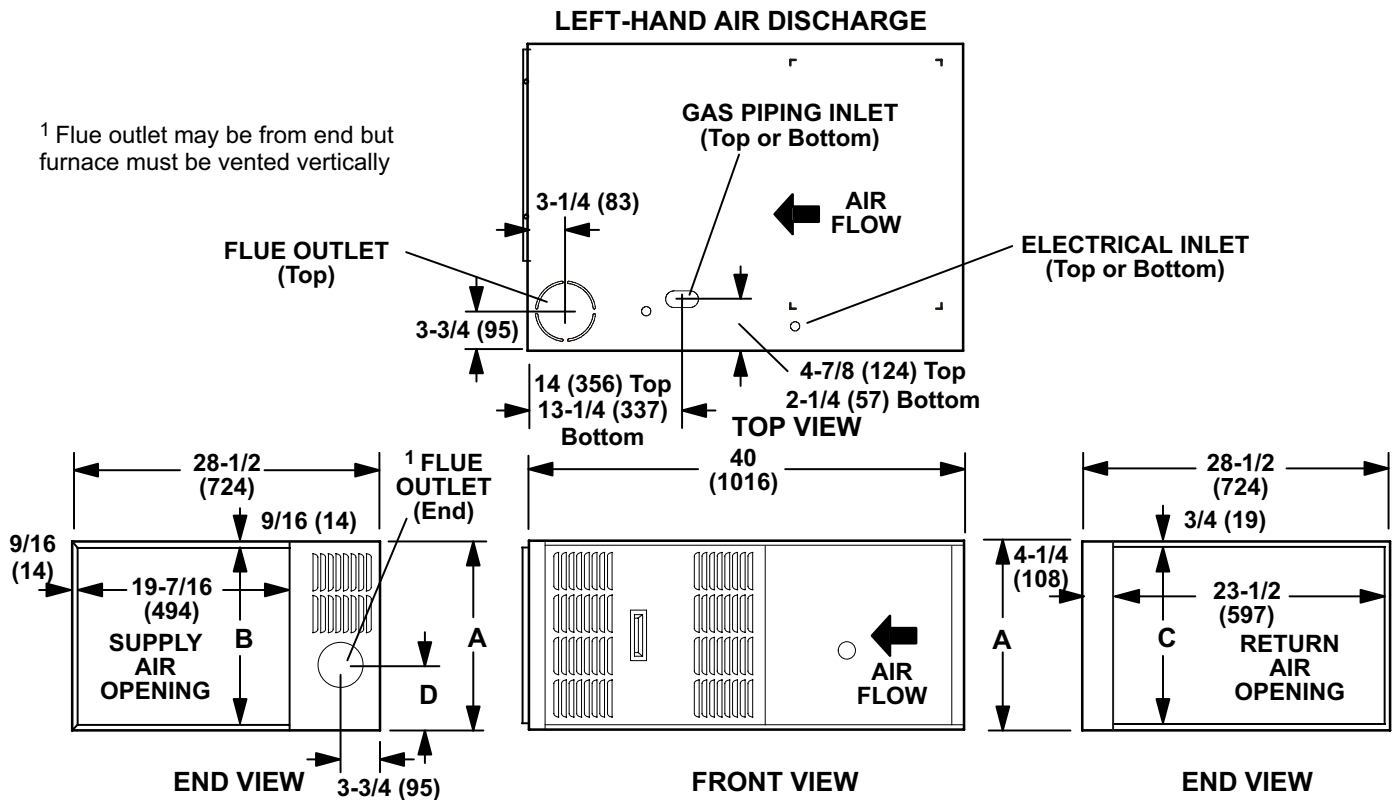
<sup>1</sup> Flue outlet may be horizontal but furnace must be vented vertically.



Model No.	A		B		C		D	
	in.	mm	in.	mm	in.	mm	in.	mm
G50UHi-36A-070	14-1/2	368	13-3/8	340	13	330	4-1/2	114
G50UHi-36B-090 G50UHi-48B-090	17-1/2	446	16-3/8	416	16	406	6	152
G50UHi-60C-110	21	533	19-7/8	504	19-1/2	495	7-3/4	197
G50UHi-60D-135	24-1/2	622	23-3/8	546	23	584	9-1/2	241

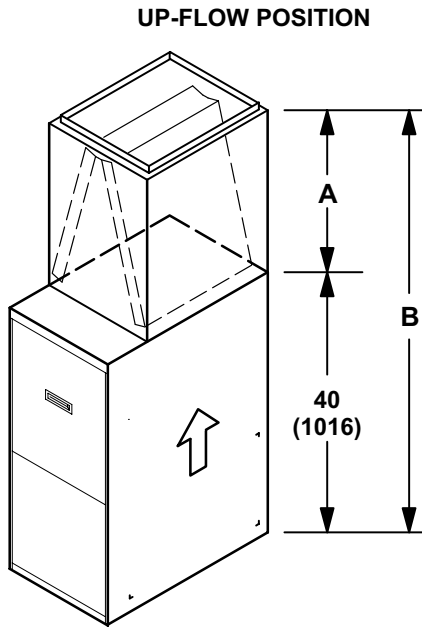


# DIMENSIONS - INCHES (MM) - HORIZONTAL POSITION

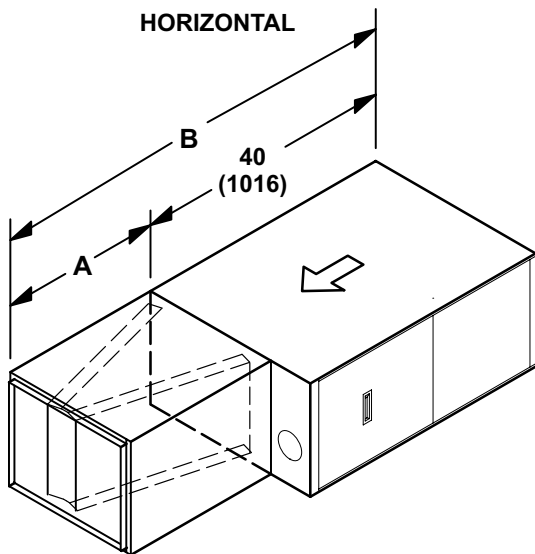


Model No.	A		B		C		D	
	in.	mm	in.	mm	in.	mm	in.	mm
G50UHi-36A-070	14-1/2	368	13-3/8	340	13	330	4-1/2	114
G50UHi-36B-090	17-1/2	446	16-3/8	416	16	406	6	152
G50UHi-48B-090								
G50UHi-60C-110	21	533	19-7/8	504	19-1/2	495	7-3/4	197
G50UHi-60D-135	24-1/2	622	23-3/8	546	23	584	9-1/2	241

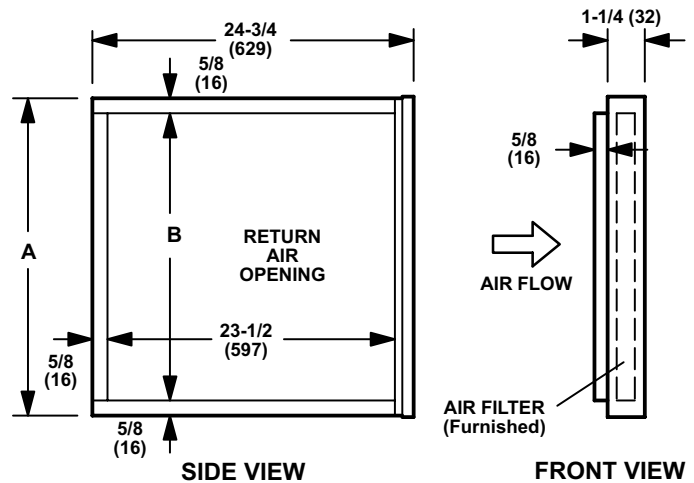
## DIMENSIONS - INCHES (MM) - FURNACE/COIL COMBINED DIMENSIONS



Model No	Cased				Uncased (CX34 - cased only)				
	A		B		A		B		
	in.	mm	in.	mm	in.	mm	in.	mm	
C33-18A	12-1/2	318	52-1/2	1334	9-3/4	248	49-3/4	1264	
CX34-19A-6F	C33-19A	17-1/2	445	57-1/2	1461	9-3/4	248	49-3/4	1264
C33-24A	16-1/2	419	56-1/2	1435	14	356	54	1372	
CX34-18/24A-6F	C33-24B	16-1/2	419	56-1/2	1435	13-7/8	352	53-7/8	1368
CX34-18/24B-6F	C33-24C								
CX34-18/24C-6F									
CX34-25A-6F	C33-25A	19-1/2	495	59-1/2	1511	16-1/4	413	56-1/4	1429
CX34-25B-6F	C33-25B	19-1/2	495	59-1/2	1511	15-7/8	403	55-7/8	1419
CX34-30B-6F	C33-30B	20-1/2	521	60-1/2	1537	17-3/4	451	59-3/4	1467
CX34-30C-6F	C33-30C								
CX34-30A-6F	C33-30A	20-1/2	521	60-1/2	1537	18	457	58	1473
CX34-31A-6F	C33-31A	23-1/2	597	63-1/2	1613	21-1/4	540	61-1/4	1556
CX34-31B-6F	C33-31B	23-1/2	597	63-1/2	1613	20-1/4	514	60-1/4	1530
CX34-36A-6F	C33-36A	24-1/2	622	64-1/2	1638	22-1/8	562	62-1/8	1578
CX34-36B-6F	C33-36B	24-1/2	622	64-1/2	1638	21-7/8	556	61-7/8	1572
CX34-36C-6F	C33-36C	24-1/2	622	64-1/2	1638	21-1/4	540	61-1/4	1556
CX34-38A-6F	C33-38A	24-1/2	622	64-1/2	1638	22-1/4	565	62-1/4	1581
CX34-38B-6F	C33-38B	24-1/2	622	64-1/2	1638	22	559	62	1575
CX34-42B-6F	C33-42B	24-1/2	622	64-1/2	1638	21-7/8	556	61-7/8	1572
CX34-43B-6F	C33-43B	28-1/2	724	68-1/2	1740	26-1/4	667	66-1/4	1683
CX34-43C-6F	C33-43C	28-1/2	724	68-1/2	1740	25-3/4	654	65-3/4	1670
C33-44C		24-1/2	622	64-1/2	1638	21-1/2	546	61-1/2	1562
CX34-44/48B-6F	C33-48B	24-1/2	622	64-1/2	1638	22-1/8	562	62-1/8	1578
CX34-44/48C-6F	C33-48C	24-1/2	622	64-1/2	1638	21-1/2	546	61-1/2	1562
CX34-49C-6F	C33-49C	30-1/2	775	70-1/2	1791	28-1/2	724	68-1/2	1740
CX34-50/60C-6F	C33-50/60C	27-1/2	699	67-1/2	1715	24-3/4	629	64-3/4	1645
CX34-60D-6F	C33-60D	25-1/2	648	65-1/2	1664	24-3/4	629	64-3/4	1645
CX34-62C-6F	C33-62C	32-1/2	826	72-1/2	1842	30-5/8	778	70-5/8	1793
CX34-62D-6F	C33-62D	29-1/2	749	69-1/2	1765	28-3/4	730	68-3/4	1746



### HORIZONTAL FILTER KIT



Model Number	A		B	
	in.	mm	in.	mm
CH33-18A-2F	21-1/2	546	61-1/2	1562
CH33-24/30A-2F	26-1/2	673	66-1/2	1689
CH33-36A-2F				
CH33-36B-2F				
CH33-36C-2F				
CH33-44/48B-2F	31-1/2	800	71-1/2	1816
CH33-50/60C-2F				
CH33-42B-2F				
CH33-48C-2F				
CH33-60D-2F				
CH33-62D-2F				

Catalog Number	A		B	
	inch	mm	inch	mm
87L95	14	356	12-3/4	324
87L96	18	457	16-3/4	425
87L97	21	533	18-3/4	476
87L98	25	635	23-3/4	603

## BLOWER/WATTS DATA

### JUMPER SELECTION FOR BLOWER CONTROL MODULE

Blower Mode	Available Speed Selector Settings		Factory Default		Cool 1 3 4	Heat 2 3 4 5	Fan 1 5 6 7	Dehum 3 4 5 6	Ramp Off A B C
	36A-070 36B-090	48B-090 60C-110 60D-135	36A-070 36B-090	48B-090 60C-110 60D-135					
Cool	1, 1, 3, 4	1, 1, 3, 4	1	1					
Heat	1, 2, 3, 4	2, 3, 4, 5	3	4					
Fan	2, 5, 6, 7	2, 5, 6, 7	7	7					
Dehumid	3, 4, 5, 6	3, 4, 5, 6	3	3					
Ramp	Off, A, B, C	Off, A, B, C	A	A					

Jumper is placed across the two pins to select the noted speed or ramping profile.  
NOTE - Jumper selections are NOT printed on the Blower Control Module.

#### G50UHi-36A-070

External Static Pressure	Jumper Speed Selector																					
	Speed 1 Factory Default Cool			Speed 2			Speed 3 Factory Default Heat/Dehumid			Speed 4			Speed 5			Speed 6			Speed 7 Factory Default Fan			
in. w.g. Pa	cfm	L/s	Watts	cfm	L/s	Watts	cfm	L/s	Watts	cfm	L/s	Watts	cfm	L/s	Watts	cfm	L/s	Watts	cfm	L/s	Watts	
0	0	1290	610	450	1190	565	380	1085	510	330	955	450	260	855	405	210	775	365	185	650	305	135
0.1	25	1295	610	480	1190	560	405	1095	515	345	970	460	290	845	400	225	775	365	190	655	310	145
0.2	50	1300	615	510	1190	560	425	1095	515	370	975	460	305	845	400	240	770	360	205	640	300	150
0.3	75	1285	605	510	1190	560	450	1095	515	385	975	460	320	855	405	260	765	360	220	610	290	160
0.4	100	1220	575	500	1190	560	465	1090	515	405	970	455	335	845	400	275	760	360	235	590	275	175
0.5	125	1210	570	520	1175	555	465	1090	515	420	960	455	350	835	395	285	735	350	245	580	275	185
0.6	150	1165	550	525	1150	540	470	1065	505	450	950	450	375	815	385	305	720	340	260	565	265	200
0.7	175	1125	530	500	1105	520	490	1040	490	430	945	445	380	800	380	325	705	335	280	550	260	210
0.8	200	1065	500	480	1060	500	475	985	465	445	875	415	390	790	375	330	690	325	290	525	250	225
0.9	225	935	440	435	930	440	435	885	420	410	825	390	390	740	350	350	675	320	295	510	240	235

NOTES - All air data is measured external to unit with 1 in. (25 mm) cleanable filter (not furnished - field provided) in place. Also see Filter Air Resistance table.  
Air volume based on bottom return air. Actual air volume may vary on side return air applications.

#### G50UHi-36B-090

External Static Pressure	Jumper Speed Selector																					
	Speed 1 Factory Default Cool			Speed 2			Speed 3 Factory Default Heat/Dehumid			Speed 4			Speed 5			Speed 6			Speed 7 Factory Default Fan			
in. w.g. Pa	cfm	L/s	Watts	cfm	L/s	Watts	cfm	L/s	Watts	cfm	L/s	Watts	cfm	L/s	Watts	cfm	L/s	Watts	cfm	L/s	Watts	
0	0	1275	600	410	1165	550	335	1045	495	290	940	445	250	860	405	215	780	370	185	665	315	140
0.1	25	1280	605	425	1185	560	365	1075	505	310	965	455	260	850	400	220	780	370	185	670	315	145
0.2	50	1300	615	450	1205	570	390	1090	515	330	970	460	285	865	410	235	785	370	200	665	315	155
0.3	75	1295	610	465	1210	570	410	1095	515	350	980	460	300	865	410	250	780	365	215	645	305	160
0.4	100	1295	610	490	1215	570	435	1100	520	375	985	465	315	865	410	265	775	365	225	625	295	180
0.5	125	1290	610	500	1210	570	455	1095	520	390	985	465	335	860	405	280	770	360	245	610	290	190
0.6	150	1275	605	520	1205	570	470	1090	515	410	975	460	355	855	405	300	760	360	255	595	280	205
0.7	175	1200	565	510	1195	565	475	1090	515	435	965	455	375	840	395	310	745	350	270	580	275	215
0.8	200	1175	555	530	1155	545	500	1065	505	425	965	455	415	830	390	340	730	345	295	560	265	225
0.9	225	1115	525	505	1125	530	500	1030	485	445	920	435	395	790	375	330	715	335	320	550	260	240

NOTES - All air data is measured external to unit with 1 in. (25 mm) cleanable filter (not furnished - field provided) in place. Also see Filter Air Resistance table.  
Air volume based on bottom return air. Actual air volume may vary on side return air applications.

## BLOWER/WATTS DATA

### G50UHi-48B-090

External Static Pressure	Jumper Speed Selector																					
	Speed 1 Factory Default Cool			Speed 2			Speed 3 Factory Default Dehumid			Speed 4 Factory Default Heat			Speed 5			Speed 6			Speed 7 Factory Default Fan			
	in. w.g.	Pa	cfm	L/s	Watts	cfm	L/s	Watts	cfm	L/s	Watts	cfm	L/s	Watts	cfm	L/s	Watts	cfm	L/s	Watts		
0	0	1800	850	655	1585	750	495	1465	690	420	1345	635	360	1225	575	300	1060	500	230	890	420	170
0.1	25	1795	845	670	1590	750	515	1485	700	455	1365	645	395	1225	580	320	1050	495	235	845	400	175
0.2	50	1755	830	690	1580	745	545	1495	705	490	1375	650	415	1240	585	350	1030	485	255	820	385	185
0.3	75	1710	805	690	1565	740	565	1470	695	500	1370	645	445	1245	585	375	1025	485	285	760	360	190
0.4	100	1605	755	660	1550	730	585	1450	685	525	1355	640	455	1225	580	395	1015	480	300	745	350	210
0.5	125	1610	760	715	1510	715	580	1435	675	540	1340	630	485	1210	570	415	1005	475	330	740	350	225
0.6	150	1550	730	680	1475	695	600	1410	665	570	1325	625	510	1190	560	445	980	465	345	745	350	250
0.7	175	1470	695	640	1430	675	625	1365	645	555	1290	610	500	1170	550	455	965	455	355	715	340	265
0.8	200	1350	635	585	1370	645	615	1315	620	590	1225	575	535	1130	530	470	955	450	370	695	325	285
0.9	225	1220	575	550	1260	595	575	1260	595	575	1195	565	540	1090	515	490	935	440	400	670	315	295

NOTES - All air data is measured external to unit with 1 in. (25 mm) cleanable filter (not furnished - field provided) in place. Also see Filter Air Resistance table.  
Air volume based on bottom return air. Actual air volume may vary on side return air applications.

### G50UHi-60C-110

External Static Pressure	Jumper Speed Selector																					
	Speed 1 Factory Default Cool			Speed 2			Speed 3 Factory Default Dehumid			Speed 4 Factory Default Heat			Speed 5			Speed 6			Speed 7 Factory Default Fan			
	in. w.g.	Pa	cfm	L/s	Watts	cfm	L/s	Watts	cfm	L/s	Watts	cfm	L/s	Watts	cfm	L/s	Watts	cfm	L/s	Watts	cfm	L/s
0	0	2150	1015	915	1965	925	735	1850	875	640	1695	800	535	1515	715	425	1295	610	315	1000	470	215
0.1	25	2140	1010	935	1960	925	775	1830	865	660	1695	800	565	1535	725	460	1345	635	355	975	460	220
0.2	50	2085	985	930	1960	925	815	1825	860	710	1700	800	595	1545	730	500	1375	650	400	1000	475	240
0.3	75	2085	985	1000	1965	925	855	1825	860	735	1675	790	610	1540	725	520	1375	650	420	1075	505	290
0.4	100	2055	970	1015	1945	920	890	1825	860	775	1680	790	645	1525	720	545	1375	650	455	1075	505	310
0.5	125	2010	950	1025	1895	895	890	1810	855	810	1680	795	690	1515	715	580	1350	635	465	1075	505	335
0.6	150	1950	920	1015	1885	890	965	1795	845	850	1640	775	705	1505	710	605	1335	630	490	1050	495	345
0.7	175	1900	895	1010	1850	875	970	1760	830	865	1630	770	735	1485	700	625	1335	630	530	1010	480	360
0.8	200	1845	870	1025	1790	845	950	1700	800	875	1605	755	755	1460	690	645	1315	620	545	1000	470	385
0.9	225	1740	820	980	1715	810	955	1665	785	915	1570	740	785	1425	670	675	1275	600	570	995	470	420

NOTES - All air data is measured external to unit with 1 in. (25 mm) cleanable filter (not furnished - field provided) in place. Also see Filter Air Resistance table.  
Air volume based on side return air. Actual air volume may vary on bottom return air applications.

### G50UHi-60D-135

External Static Pressure	Jumper Speed Selector																					
	Speed 1 Factory Default Cool			Speed 2			Speed 3 Factory Default Dehumid			Speed 4 Factory Default Heat			Speed 5			Speed 6			Speed 7 Factory Default Fan			
	in. w.g.	Pa	cfm	L/s	Watts	cfm	L/s	Watts	cfm	L/s	Watts	cfm	L/s	Watts	cfm	L/s	Watts	cfm	L/s	Watts	cfm	L/s
0	0	2160	1020	905	1985	935	735	1910	900	665	1705	805	520	1580	745	460	1290	610	315	1040	490	230
0.1	25	2165	1020	945	1975	930	770	1895	895	695	1725	815	565	1595	750	475	1345	635	350	990	465	220
0.2	50	2115	995	935	1970	930	805	1890	890	730	1710	805	575	1605	755	525	1380	650	385	945	445	225
0.3	75	2055	970	925	1975	935	845	1895	895	770	1705	805	620	1600	755	545	1395	660	425	1010	475	260
0.4	100	2090	985	1015	1960	925	870	1885	890	805	1705	805	650	1590	750	565	1410	665	455	1115	525	330
0.5	125	2065	975	1040	1940	915	895	1865	880	825	1700	800	670	1585	750	590	1380	650	465	1120	530	350
0.6	150	2020	955	1030	1880	885	880	1855	875	865	1685	795	700	1570	740	620	1355	640	490	1105	520	370
0.7	175	1965	925	1040	1880	885	965	1815	855	880	1650	780	725	1550	730	650	1340	630	510	1065	500	375
0.8	200	1910	900	1040	1850	875	960	1760	830	880	1645	775	760	1535	725	670	1340	635	550	1055	500	395
0.9	225	1805	850	975	1785	845	985	1740	820	920	1610	760	785	1500	710	695	1310	620	555	1035	490	430

NOTES - All air data is measured external to unit with 1 in. (25 mm) cleanable filter (not furnished - field provided) in place. Also see Filter Air Resistance table.  
Air volume based on side return air. Actual air volume may vary on bottom return air applications.





Visit us at [www.lennox.com](http://www.lennox.com)

For the latest technical information, [www.lennox.com](http://www.lennox.com)

Contact us at 1-800-4-LENNOX

NOTE - Due to Lennox' ongoing commitment to quality, Specifications, Ratings and Dimensions subject to change without notice and without incurring liability. Improper installation, adjustment, alteration, service or maintenance can cause property damage or personal injury. Installation and service must be performed by a qualified installer and servicing agency.

©2005 Lennox Industries Inc.